

SDN 25

R 134 A VERSION

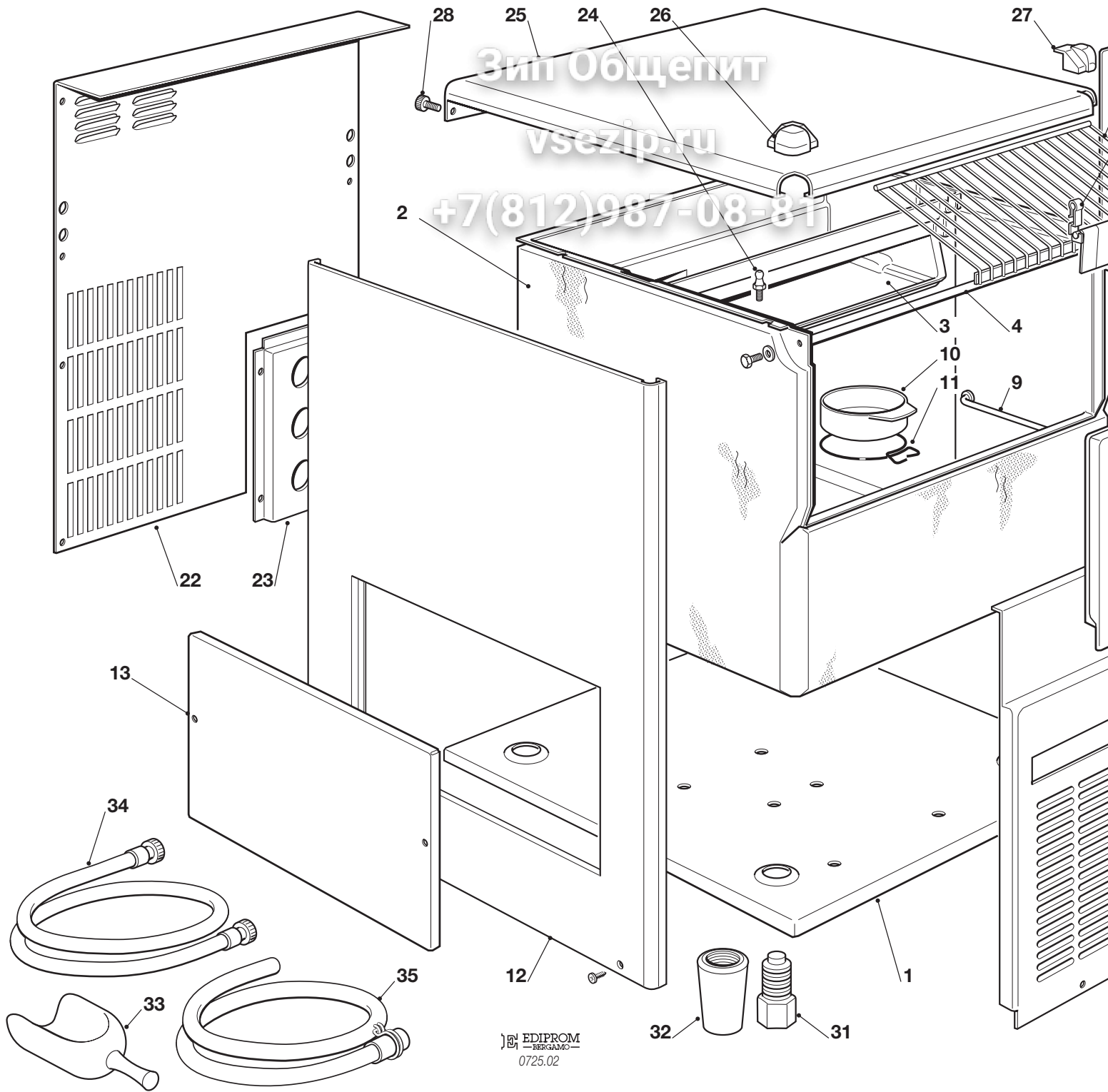
SPARE PARTS LIST
CATALOGO RICAMBI
CATALOGUE PIÈCES DÉTACHÉES
ERSATZTEILENKATALOG

Зип Общепит

vsezip.ru

+7(812)987-08-81

PAGE PAGINA PAGE SEITE	TABLE OF CONTENTS	INDICE	TABLE DES MATIERES
1	TABLE OF CONTENTS	INDICE	TABLE DES MATIERES
2/3	UNIT PANELS	ASSIEME MOBILE	ENS. CAROSSERIE
4/5	REFRIGERANT SYSTEM AIR COOLED	SISTEMA REFRIGERANTE RAFFR. AD ARIA	CIRCUIT FRIGORIFIQUE REFROID. A AIR
6/7	REFRIGERANT SYSTEM WATER COOLED	SISTEMA REFRIGERANTE RAFFR. AD ACQUA	CIRCUIT FRIGORIFIQUE REFROID. A EAU
8/9	WATER SYSTEM	CIRCUITO IDRAULICO	CIRCUIT HYDRAULIQUE
10/11	CONTROL BOX	SCATOLA DI CONTROLLO	BOITE ELECTRIQUE
12	COMPRESSOR AND ELECTRIC COMPONENT CHARTS	TABELLA COMPRESSORI E COMPONENTI ELETTRICI	LISTE DES COMPRESSEURS ET COMPOSANTS ELECTRIQUE



EDIPROM
 BERGAMO
 0725.02

Зип Общепит

vsezip.ru

SDN 25

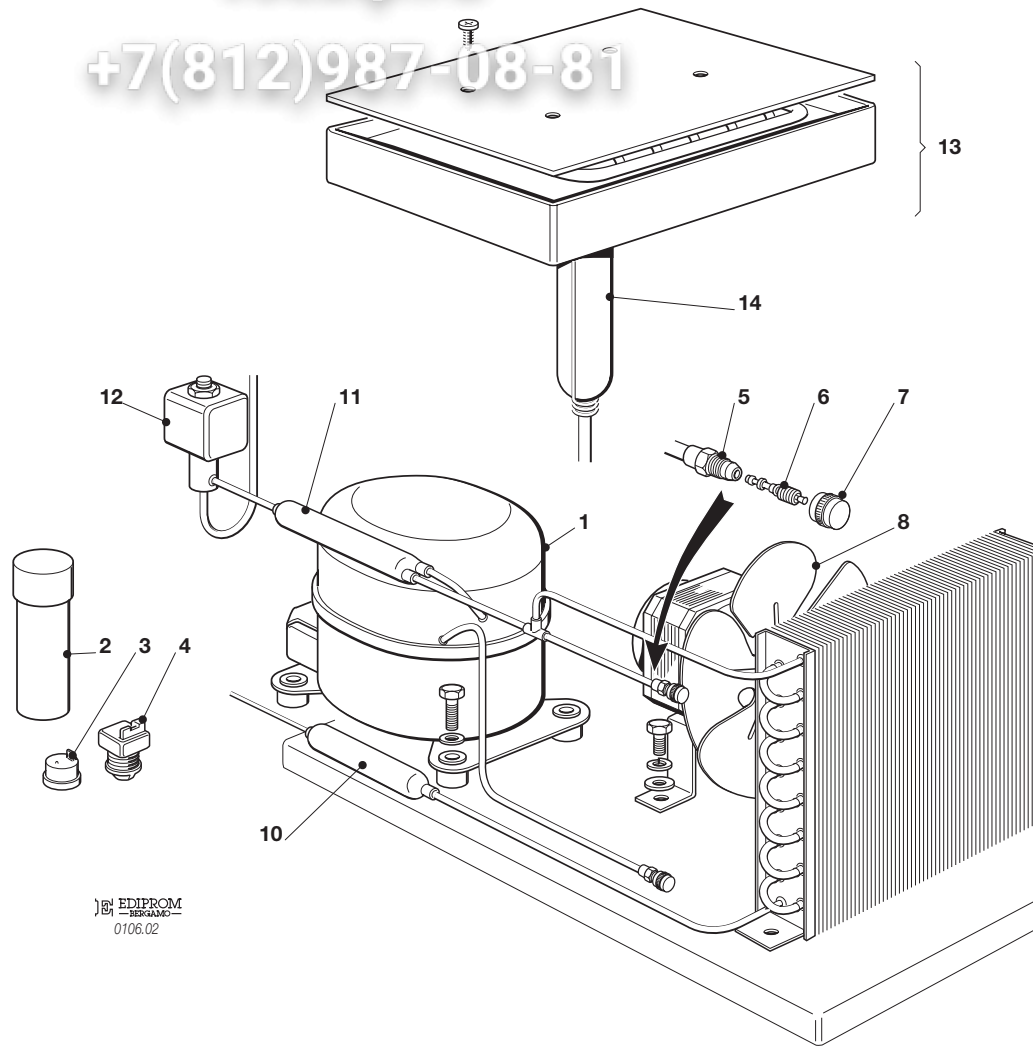
UNIT PANELS - ASSIEME MOBILE - ENS. CARROSSERIE - MACHINE GEHAUSE

ITEM NO POS NO REP. NO REF. NO	PART NO - CODICE REFERENCE - STUECK NR.	DESCRIPTION	DESCRIZIONE	DESIGNATION	BESCHREIBUNG
1	702509 00	BASE	PIASTRINA DI BASE	PLAQUE DE BASE	GRUNDPLATTE
2	782109 00	INSULATED BIN ASSY	ASSIEME CELLA ISOLATA	ENS. CABINE	ISOLIEREISSPEICHER
3	660627 02	EVAPORATOR HOUSING	INVOLUCRO EVAPORATORE	CHAMBRE INTERIEUR	CELLE INTERN
4	732016 06	BIN DOOR BRACKET	ASTA PORTELLO	TIGE PORTE	KLAPPENACHSE
5	650705 00	ICE DEFLECTOR	GRIGLIA SCORRIMENTO CUBETTI	GRILLE GLISSEMENT GLAÇON	ABGLEITGRILL
6	783171 00R	CURTAIN ASSY	ASSIEME TENDINA	ENS. LAMELLE	ABDECKKLAPPE GESAMTHEIT
7	660388 00	LEFT CURTAIN SUPPORT	SUPP. TENDINA SINISTRO	SUPP. LAMELLE GAUCHE	LINKE ABDECKKLAPPE HALTERUNG
8	660388 01	RIGHT CURTAIN SUPPORT	SUPP. TENDINA DESTRO	SUPP. LAMELLE DROITE	RECHTE ABDECKKLAPPE HALTER.
9	732017 07	BULB HOLDER	TUBO PORTABULBO	TUBE PORTEBULBE	FUEHLERHALTER
10	660741 00	PLASTIC PLUG	TAPPO INVOLUCRO EVAPORAT.	BOUCHON EN PLASTIQUE	PLASTIKSTOPFEN
11	460047 01	SPRING	MOLLA	RESSORT	FEDER
12	722298 00	LEFT SIDE PANEL	PANNELLO SINISTRO INOX	JOUE GAUCHE ACIER INOX	LINKE GEHÄUSESEITE EDELSTAHL
13	702026 02	SERVICE PANEL	PANNELLO DI ISPEZIONE	PANNEAU DE SERVICE	SERVICE PANEL
14	722297 00	RIGHT SIDE PANEL	PANNELLO DESTRO INOX	JOUE DROITE ACIER INOX	RECHTEGEHÄUSESEITE EDELST.
15	660882 00	FRONT SWITCH PLASTIC PROT	CARTER PROTEZIONE INTERRUPT	CARTER PROTECTION INTERRUPT	SCHALTERABDECKUNG
16	722301 00 722301 01	FRONT PANEL AIR VERSION FRONT PANEL WATER VERS.	PANNELLO ANTER. VERS. ARI A PANNELLO ANTER. VERS. ACQU.	PANNEAU AVANT . PAR AIR PANNEAU AVANT . REFR. EAU	VORDERWAND EDELST. LUFT VORDERWAND EDELST. WASSER
17	660886 00	AIR FILTER SEAT	SEDE FILTRO ARIA	SIEGE FILTRE A AIR	LUFTFILTERHALTER
18	724422 00	BRACKET SLIDE, AIR FILTER	SUPPORTO GUIDA FILTRO ARIA	SUPPORT GLISSIERE FILTRE A AIR	TRAGER FUHRUNF FUR LUFTFILT.
19	660887 00	SLIDE, AIR FILTER	GUIDA FILTRO ARIA	GLISSIERE FILTRE A AIR	FUHRUNF FUR LUFTFILTIER
20	660885 00	AIR FILTER	FILTRO ARIA	FILTRE A AIR	LUFT FILTIER
21	782092 04R	BIN DOOR	SPORTELLO	PORTE CABINE	SPEICHERTUER
22	702507 00	REAR PANEL	PANNELLO POSTERIORE	PANNEAU POSTERIEUR	HINTERE ABDECKUNG
23	702526 00	METAL BRACKET FOR FITTING	SUPPORTO ATTACCHI	SUPPORT DE RACCORDS	METALLTRÄGER
24	650790 00	STUD	PERNO	AXE	STIFT
25	722299 00	TOP PANEL	PANNELLO SUPERIORE INOX	ENS. COUVERCLE	DECKEL GESAMTHEIT
26	660884 01	LEFT TOP CAP	TAPPO IN PLASTICA SINISTRO	CAPUCHON EN PLAST. GAUCHE	PLASTIK PROFEN LINK
27	660884 00	RIGHT TOP CAP	TAPPO IN PLASTICA DESTRO	CAPUCHON EN PLAST. DROITE	PLASTIK PROFEN RECHT
28	650806 00	REAR STUD	PERNO POSTERIORE	AXE ARRIÈRE	TRÄGEN - HINTEN
29	650976 00	SIMAG LOGO	TARGHETTA SIMAG	EMBLEME SIMAG	SIMAG ABGEBILDET
30	650976 01	SDN 25 LOGO	TARGHETTA SDN 25	EMBLEME SDN 25	SDN 25 ABGEBILDET
31	650382 01	LEG	PIEDE REGOLABILE	PIED RÉGLABE	GERÄTEFUSS
33	650071 00	ICE SCOOP	SESSOLA	SASSE	EISSCHAUFEL
34	060513 00	KIT WATER SUPPLY PIPE	KIT TUBO ALIM. ACQUA	KIT TUYAU D'ALIM. EAU	WASSER ANSCHLUSSSCHLAUCH
35	060513 01	KIT WATER DRAIN PIPE	KIT TUBO SCARICO ACQUA	KIT TUYAU VIDANGE EAU	WASSER SLAUFSCHAUCH

Зип-Общепит

vsezip.ru

+7(812)987-08-81



EDIPROM
—
0106.02

Зип-Общепит

SDN 25 - REFRIGERANT SYSTEM AIR COOLED - SISTEMA REFRIGERANTE RAFFREDDAMENTO ARIA
CIRCUIT FRIGORIFIQUE REFROID. PAR AIR - LUFTGEKÜHLT GEFRIERKREISLAUF

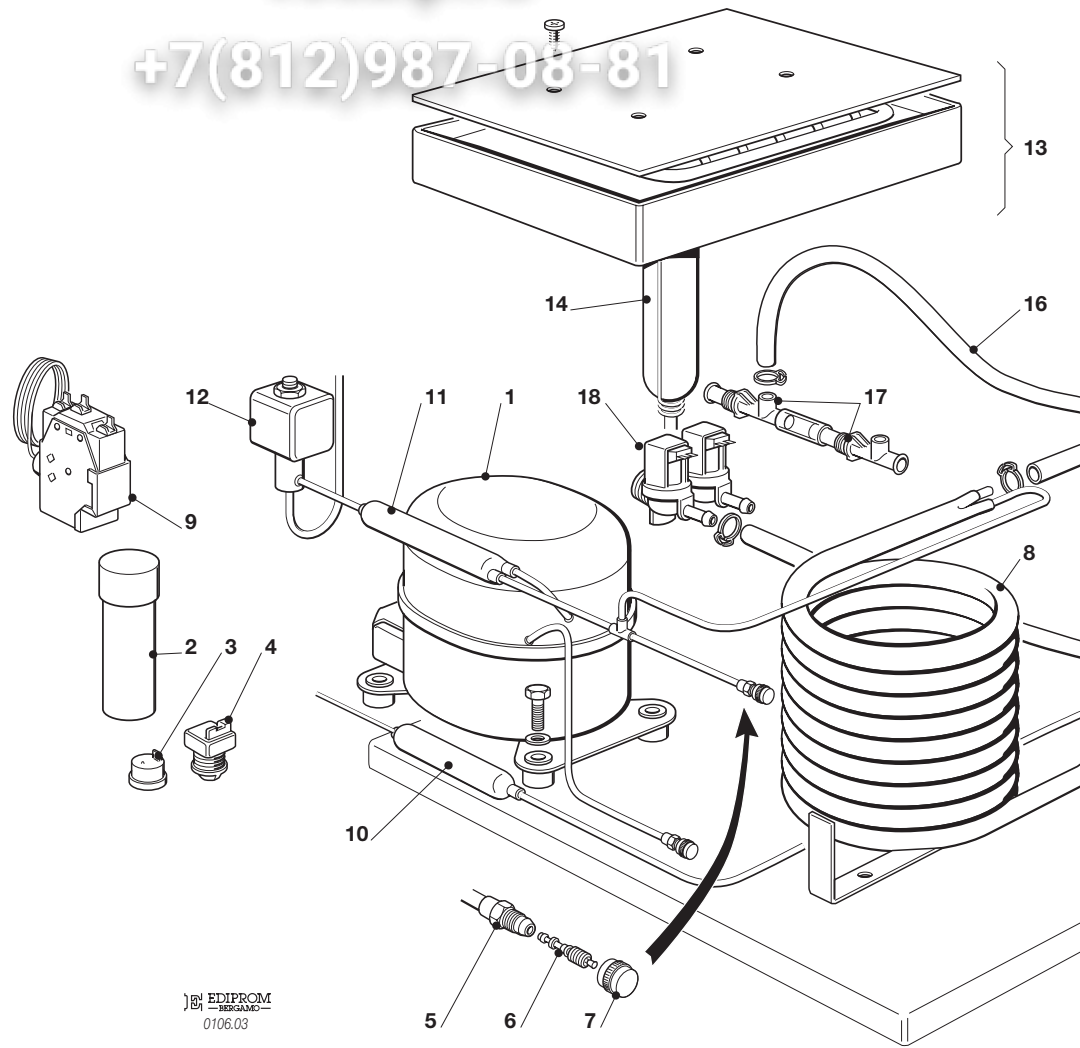
vsezip.ru

ITEM NO POS NO REP. NO REF. NO	PART NO CODICE REFERENCE STUECK NR	DESCRIPTION	DESCRIZIONE	DESIGNATION
1	670097 08	COMPRESSOR	COMPRESSORE	COMPRESSEUR
2	620167 29	START CAPACITOR	CONDENSATORE D'AVVIAMENTO	CAPACITE DE DEMARRAGE
3	620058 65	PROTECTOR	PROTETTORE	PROTECTEUR
4	620057 35	RELAY	RELE'	RELAIS
5	650109 00	VALVE BODY	CORPO VALVOLA	CORPS DE VANNE
6	670012 00	VALVE PISTON	PISTONCINO VALVOLA	PISTON
7	650106 00	VALVE CAP	CAPPUCCIO VALVOLA	CAPUCHON DE VANNE
8	620419 02 620419 32	FAN MOTOR FAN BLADE	MOTOVENTILATORE VENTOLA	MOTO-VENTILATEUR HELICE
9	620285 00	AIR COOLED CONDENSER	CONDENSATORE AD ARIA	CONDENSEUR
10	630003 05	DRIER	FILTRO DEUMIDIFICATORE	FILTRE DESHYDRATEUR
11	630137 00	MECHANICAL FILTER	FILTRO MECCANICO	FILTRE MECANIQUE
12	620306 48 620306 14	HOT GAS VALVE COIL HOT GAS VALVE BODY	BOBINA VALVOLA GAS CALDO CORPO VALVOLA GAS CALDO	BOBINE VANNE GAZ CHAUD CORP VANNE GAZ CHAUD
13	784478 00	EVAPORATOR ONLY	EVAPORATORE	EVAPORATEUR
14	784444 07	ACCUMULATOR ASSY	ASSIEME ACCUMULATORE	ENS. ACCUMULATEUR

Зип-Общепит

vsezip.ru

+7(812)987-08-81



EDIPROM
БЕЛТАС
0106.03

Зип-Общепит

SDN 25 - REFRIGERANT SYSTEM WATER COOLED - SISTEMA REFRIGERANTE RA
CIRCUIT FRIGORIFICO REFROID. PAR EAU - WASSERGEKÜHLT GEFRIE

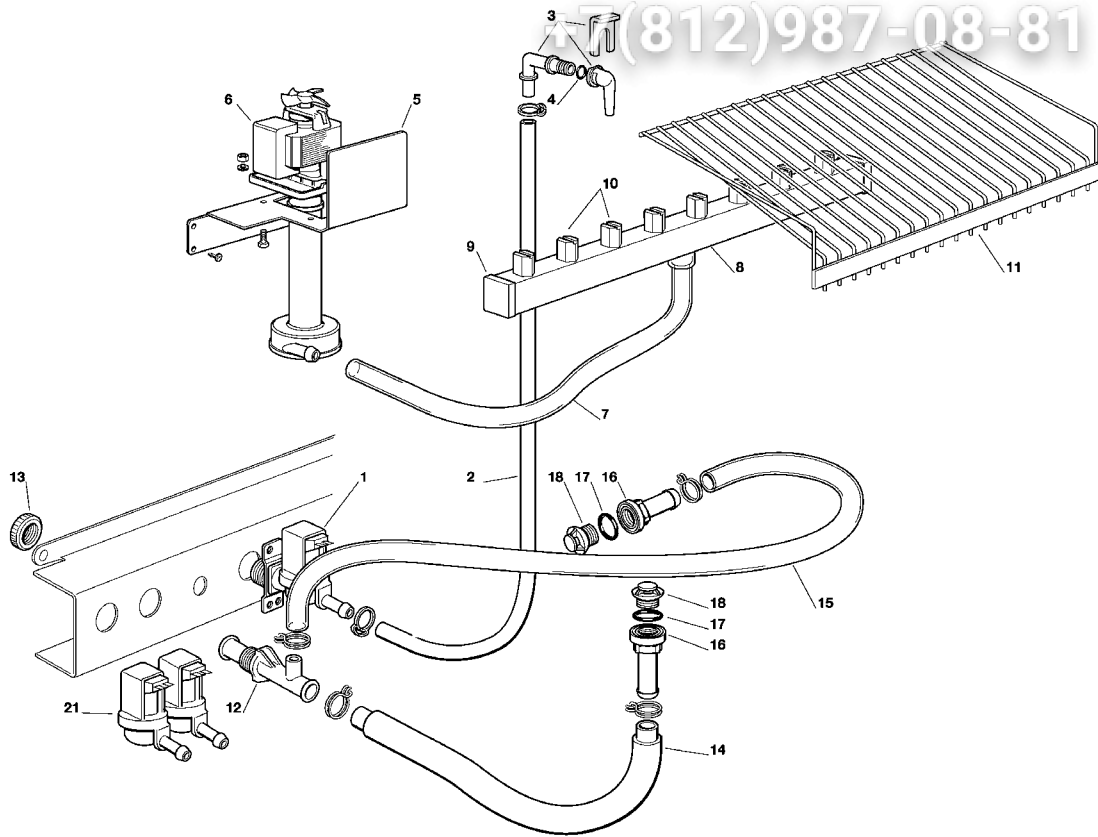
vsezip.ru

1	670097 08	COMPRESSOR	COMPRESSORE	COMPRESSEUR
2	620167 29	START CAPACITOR	CONDENSATORE D'AVVIAMENTO	CAPACITE DE DEMARRAGE
3	620058 65	PROTECTOR	PROTETTORE	PROTECTEUR
4	620057 35	RELAY	RELE'	RELAIS
5	650109 00	VALVE BODY	CORPO VALVOLA	CORPS DE VANNE
6	670012 00	VALVE PISTON	PISTONCINO VALVOLA	PISTON
7	650106 00	VALVE CAP	CAPPUCCIO VALVOLA	CAPUCHON DE VANNE
8	620389 00	WATER COOLED CONDENSER	CONDENSATORE ACQUA	CONDENSEUR A EAU
9	620499 01	PRESSURE CONTROL	PRESSOSTATO	PRESSOSTAT
10	630003 05	DRIER	FILTRO DEUMIDIFICATORE	FILTRE DESHYDRATEUR
11	630137 00	MECHANICAL FILTER	FILTRO MECCANICO	FILTRE MECANIQUE
12	620306 48 620306 14	HOT GAS VALVE COIL HOT GAS VALVE BODY	BOBINA VALVOLA GAS CALDO CORPO VALVOLA GAS CALDO	BOBINE VANNE GAZ CHAUD CORP VANNE GAZ CHAUD
13	784478 00	EVAPORATOR ONLY	EVAPORATORE	EVAPORATEUR
14	784444 07	ACCUMULATOR ASSY	ASSIEME ACCUMULATORE	ENS. ACCUMULATEUR
15	281900 01	PLASTIC TUBE - PER METER	TUBO PVC - PER METRO	TUYAU EN PLASTIQUE - PO
16	281900 01	PLASTIC TUBE - PER METER	TUBO PVC - PER METRO	TUYAU EN PLASTIQUE - PO
17	742135 00	WATER DRAIN FITTING	RACCORDO SCARICO ACQUA	RACCORD EVACUATION EA
18	650105 70	WATER INLET VALVE	ELETTRIVALVOLA DOPPIA	VANNE ARRIVÉE EAU

Зип Общепит

vsezip.ru

7(812)987-08-81



SDN 25 - WATER SYSTEM - CIRCUITO IDRAULICO - CIRCUIT HYDRAULIQUE - WA

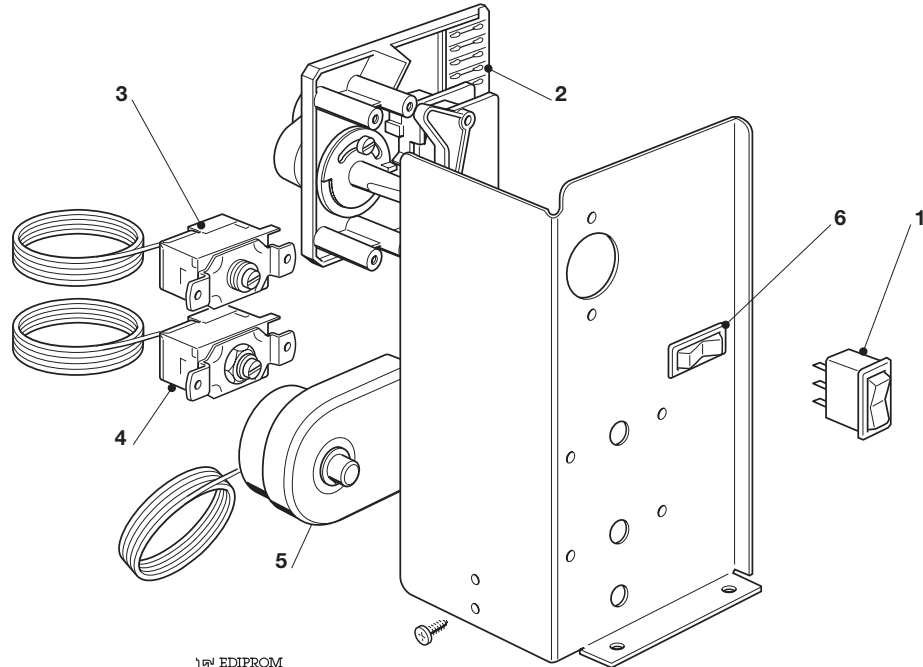
vsezip.ru

ITEM NO POS NO REP. NO REF. NO	PART NO CODICE REFERENCE STUECK NR	DESCRIPTION	DESCRIZIONE	DESIGNATION
1	650105 66	WATER INLET VALVE - AIR COOLED	ELETTROVALVOLA INGR. ACQUA	ELECTROVANNE ARR. EAU - R
2	281900 01	PLASTIC TUBE - PER METER	TUBO INGRESSO ACQUA	TUYAU EN PLASTIQUE - PO
3	793172 00R	WATER INLET ELBOW ASSY	ASS. INGR. ACQUA A GOMITO	ENS. ENTREE EAU COUDEE
4	640041 31	O-RING	GUARNIZIONE	JOINT TORIQUE
5	724331 00	METAL BRACKET	SUPPORTO POMPA	SUPPORT METALLIQUE
6	620433 00	WATER PUMP	POMPA	POMPE A EAU
7	610150 03	PUMP INLET WATER PIPE	TUBO MANDATA POMPA	TUYAU EVACUATION
8	660665 18	SPRAY BAR	TUBO SPRUZZATORE	COLLECTEUR
9	660557 00	PLUG	UGELLO SPRUZZATORE	BOUCHON POUR COLLECT
10	660558 00	SPRAY JET	SPRUZZATORI	GICLEURS
11	650705 00	ICE DEFLECTOR	GRIGLIA SCORRIMENTO CUBETTI	GRILLE GLISSEMENT GLA
12	640134 00	WATER DRAIN FITTING	RACCORDO A "T"	RACCORD EVACUATION E
13	660211 01	PLASTIC RING NUT	GHIERA	COLLIER DE SERRAGE EN
14	610148 09	STORAGE BIN DRAIN	TUBO SCARICO CONTENITORE	TUYAU VIDANGE CONTEN
15	610204 00	OVERFLOW DRAIN TUBE	TUBO SCARICO TROPPO PIENO	TUYAU VIDANGE TROP PL
16	660219 02	BIN DRAIN	RACCORDO DI SCARICO	RACCORD EVACUATION
17	640134 00	O-RING	GUARNIZIONE	JOINT TORIQUE
18	660211 01	DRAIN FILTER	FILTRO SCARICO	FILTRE EVACUATION EAU
21	650105 70	WATER INL. VAL. - WATER COOLED	ELETTROVALVOLA INGR. ACQUA	ELECTROV. ARR. EAU - RE

Зип Ощепит

vsezip.ru

+7(812)987-08-81



EDIPROM
0106.04

Зип-Общепит

SDN 25 - CONTROL BOX - SCATOLA DI CONTROLLO - BOITE ELECTRIQUE - SCH

vsezip.ru

+7(812)987-08-81

ITEM NO POS NO REP. NO REF. NO	PART NO CODICE REFERENCE STUECK NR	DESCRIPTION	DESCRIZIONE	DESIGNATION
1	620453 00	SWITCH	INTERRUPTORE LUMINOSO	INTERRUPTEUR LUMINEUX
2	620441 00	TIMER	TIMER	MINUTERIE
3	620201 00	EVAPORATOR THERMOSTAT	TERMOSTATO EVAPORATORE	THERMOSTAT EVAPORATEUR
4	630005 00	BIN THERMOSTAT	TERMOSTATO CONTENITORE	THERMOSTAT CONTENEUR
5	620443 02	THERMOSTAT - SAFETY	TERMOSTATO DI SICUREZZA	THERMOSTAT DE SECURITE
6	620442 02	SWITCH	COMMUTATORE UNIPOLARE	INTERRUPTEUR

SDN 25 - COMPRESSOR CHART - TABELLA COMPRESSORI - TABLEAU COMPRESSEURS

vsezip.ru

+7 (812) 987-0000

MODEL MODELLO MODELE MODELL	VOLTS VOLTAGGIO TENSION SPANNUNG	COMPRESSOR MODEL MODELLO COMPRESSORE TYPE DU COMPRESSEUR KOMPRESSORTYP	COMPRESSOR ASSY ASS. COMPRESSORE ENS. COMPRESSEUR WIR. KOMPRESSOR	RELAY RELE' RELAIS RELAIS
SDN 25 -K-	115/60/1	AEZ 4425 Y	670066 10	620057 49
SDN 25 -K-	230/60/1	AEZ 4425 Y GL 80 TG	670066 08 670097 10	620057 40 620057 64
SDN 25 -K-	230/50/1	AEZ 4425 Y GL 80 TB	670066 09 670097 08	620057 32 620057 35

SDN 25 - ELECTRIC COMPONENTS CHART - TABELLA COMPONENTI ELE
TABLEAU COMPOSANTS ELECTRIQUE - ELEKTRISCHEKARTE

MODEL MODELLO MODELE MODELL	VOLTS TENSIONE TENSION SPANNUNG	WATER PUMP POMPA POMPE A EAU WASSER PUMPE	FAN MOTOR ONLY MOTORE VENTILATORE MOTEUR VENTILATEUR LUFTER MOTOR	WATER INLET VALVE VALVOLA INGR. ACQUA V.E.M. ARRIVEE' EAU WASSEREIN. VENTIL
SDN 25 -K-	115/60/1	620433 04	620419 03	650105 67 / 650105 71 (AIR / WATER)
SDN 25 -K-	230/60/1	620433 01	620419 02	650105 66 / 650105 70 (AIR / WATER)
SDN 25 -K-	230/50/1	620433 00	620419 02	650105 66 / 650105 70 (AIR / WATER)

Зип Общепит
vsezip.ru
+7(812)987-08-81

SIMAG
ICE MACHINES

www.simag.it

SIMAG
via Risorgimento, 4
20017 Mazzo di Rho (MI) - Italy
Tel. +39 02 93900215 (Commerciale - Sales Dept.)
Tel. +39 02 93960357 (Assistenza - Service Dept.)
Fax +39 02 93900226 (Commerciale - Sales Dept.)
Fax +39 02 93960366 (Assistenza - Service Dept.)
e-mail: sales@simag.it
e-mail: service@simag.it

Singapore Office
SIMAG FAR EAST
627A Aljunied Road
04-04 Biztech Centre
Singapore 389842
Tel. ++65 6738 5393
Fax ++65 6738 1959
e-mail: scotsice@singnet.com.sg



Certified ISO 9001
TOTAL QUALITY

