

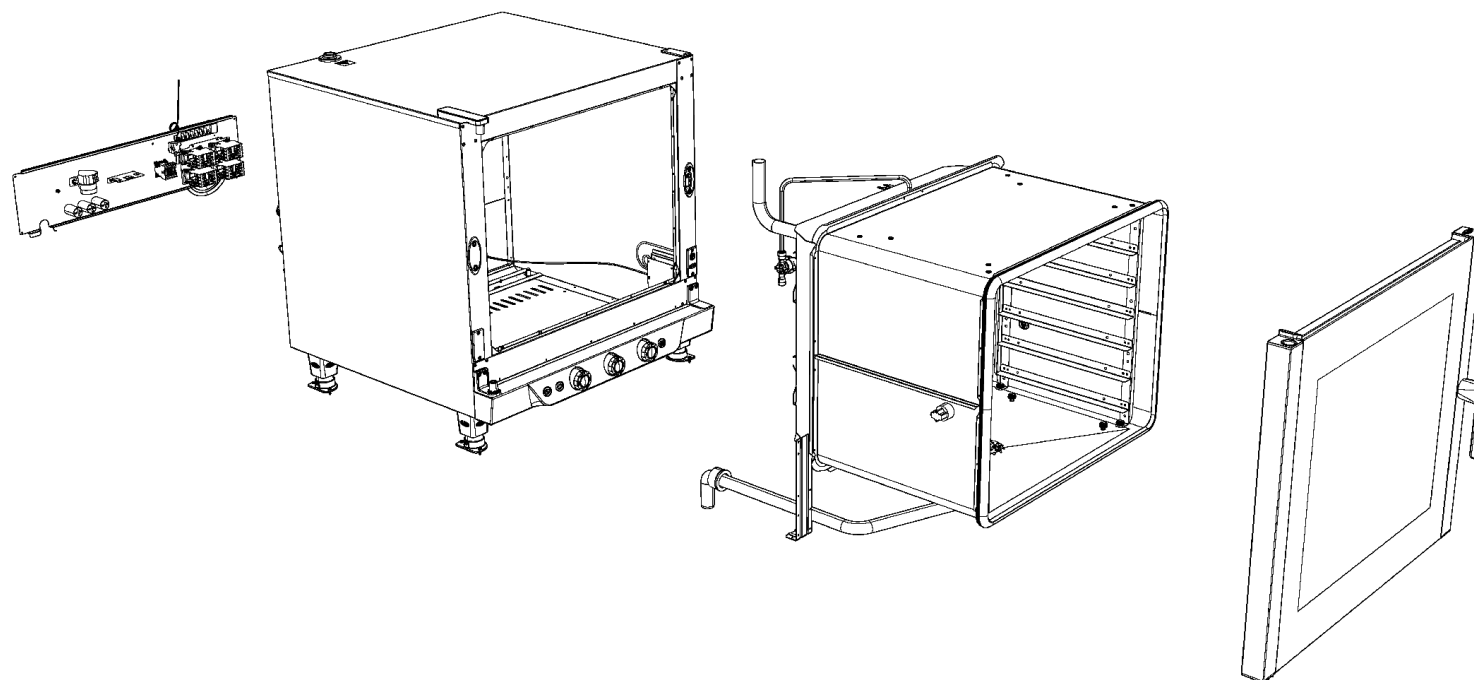
MOD:XB693

Зип Общепит

vsezip.ru



+7(812)987-08-81

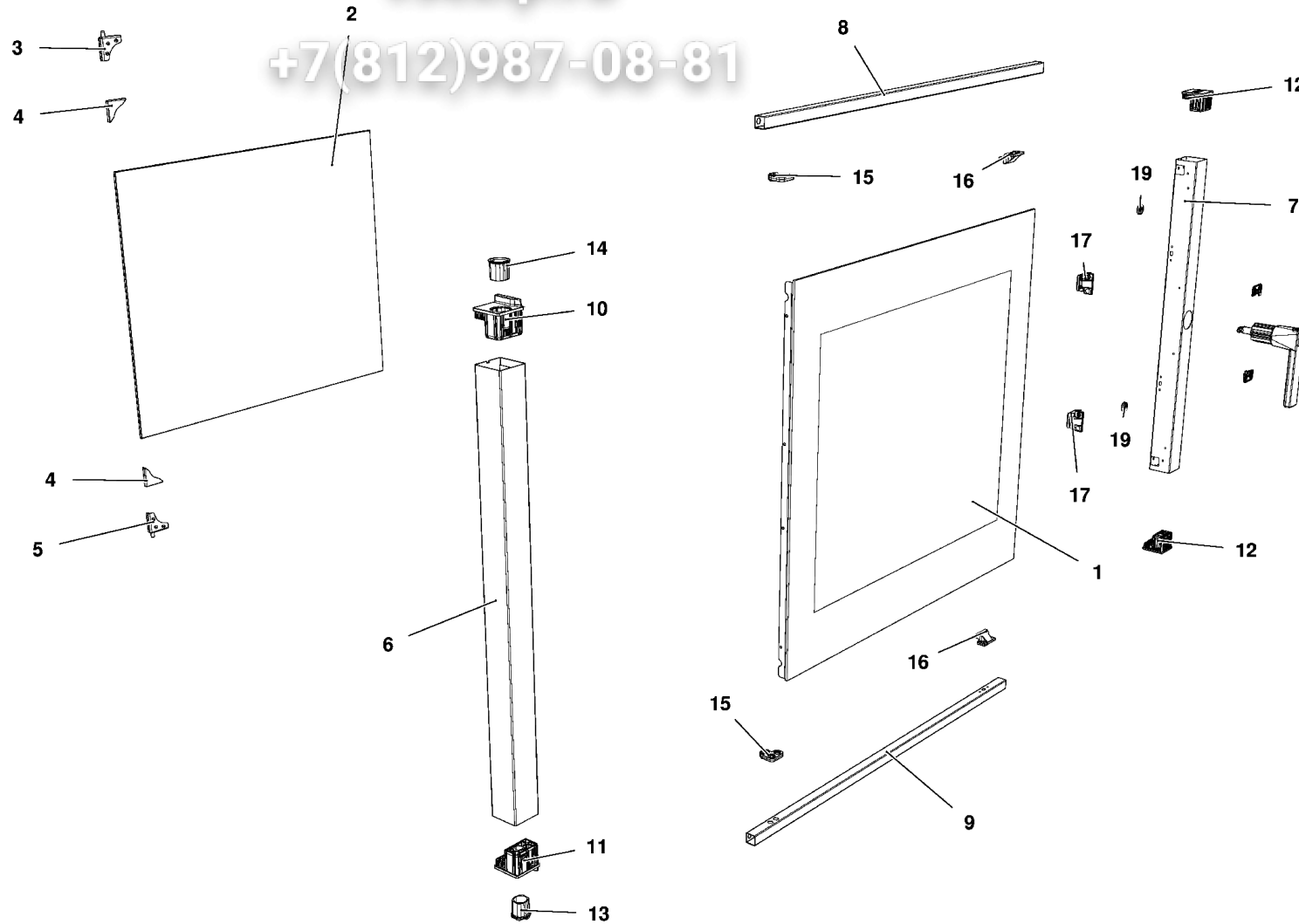


MOD:XB693

Зип Общепит

vsezip.ru

+7(812)987-08-81



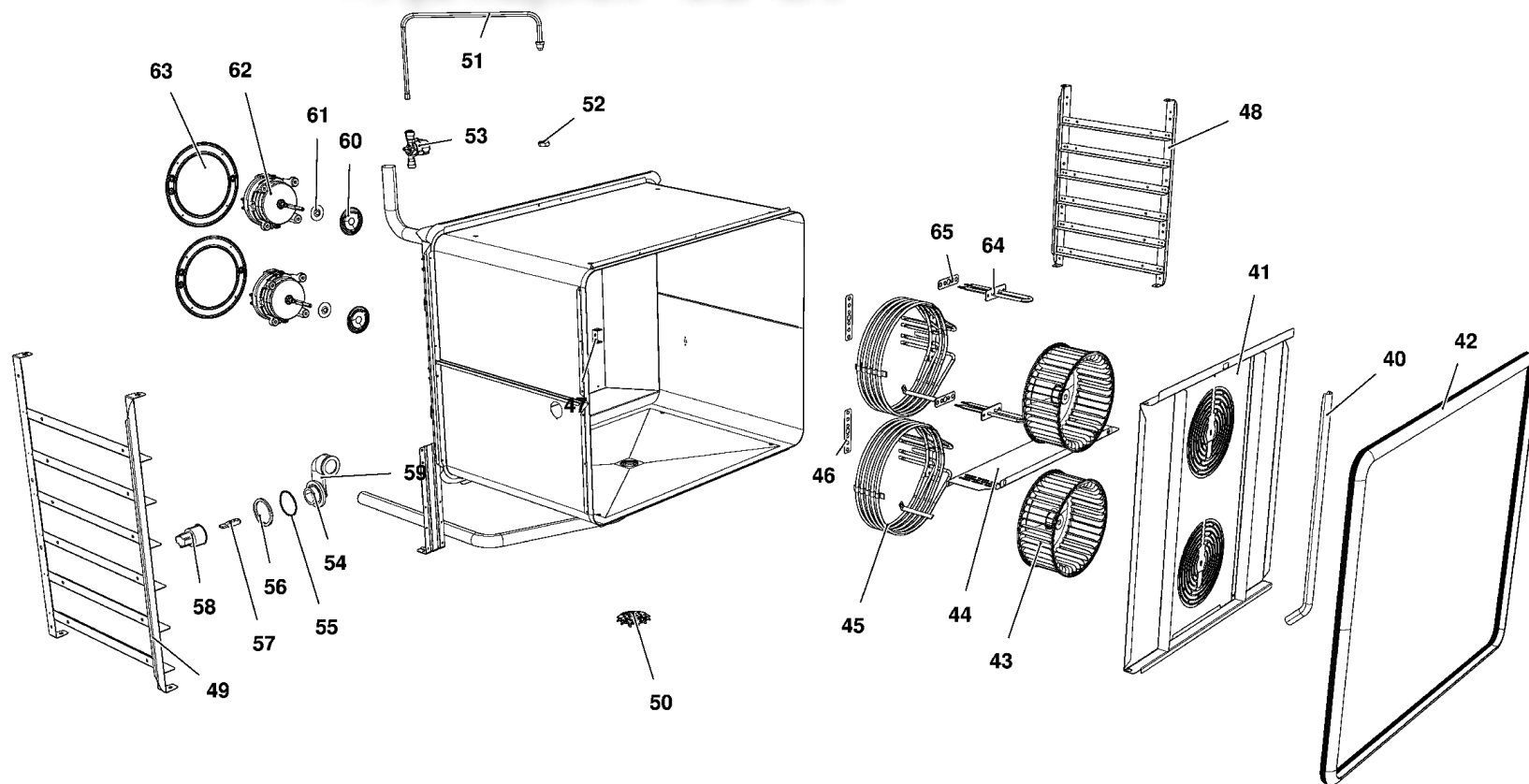
MOD:XB693

Зип Ощепит

vsezip.ru



+7(812)987-08-81

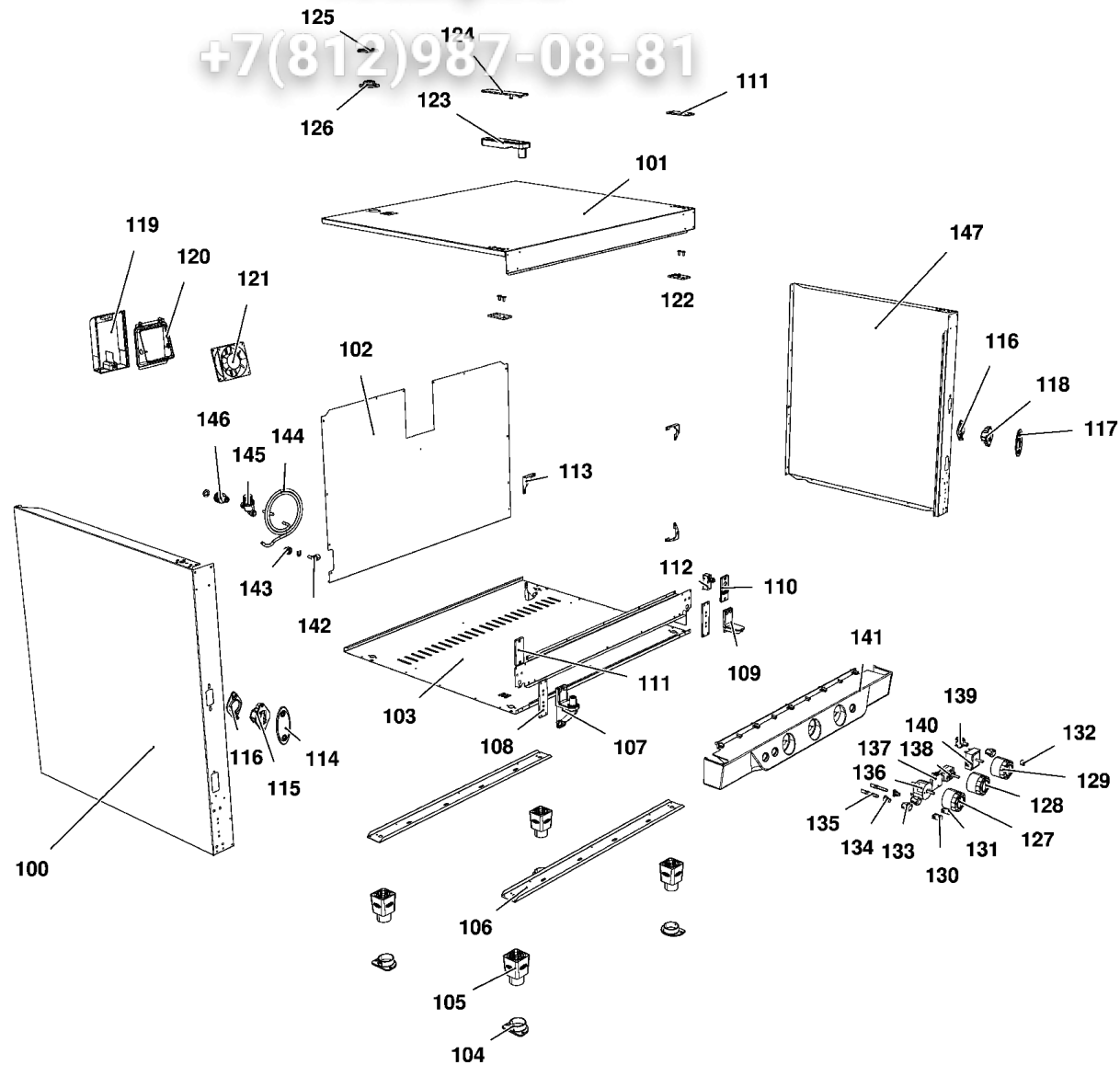


MOD:XB693

Зип Общепит

vsezip.ru

+7(812)987-08-81

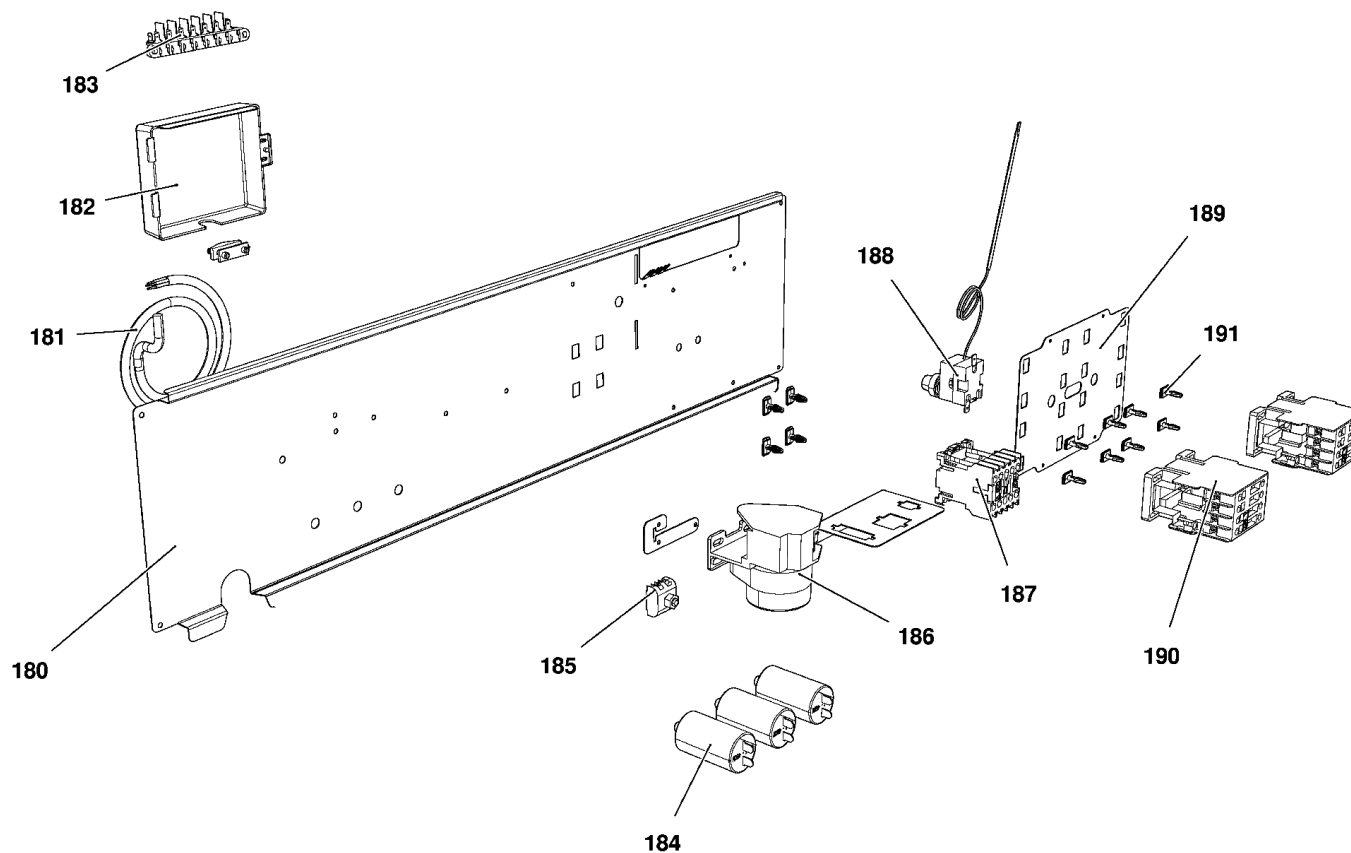


MOD:XB693

Зип Общепит

vsezip.ru

+7(812)987-08-81



MOD:XB693

Зип Общепит



vsezip.ru

Descrizione codici

+7(812)987-08-81

IT

1	VT1255A	VETRO ESTERNO XB69- XC59-
2	VT1135A	VETRO INTERNO 743X620X6 BETFL
3	CR1085A	CERNIERA VETRO INT INOX SUP
4	GN1181A	GUARNIZIONE CERN VETRO INT CR1085-1086
5	CR1086A	CERNIERA VETRO INT INOX INF
6	TB2383A	COLONNINA SX PORTA BAKERLUX 6TG
7	TB2382A	COLONNINA DX PORTA BAKERLUX 6TG
8	TB2384B	LISTELLO SUPERIORE BL CL
9	TB2404A	LISTELLO INFERIORE BL CL
10	VM1977A	TAPPO FULCRO SUPERIORE PORTA CL BL
11	VM1978A	TAPPO FULCRO INFERIORE PORTA CL BL
12	VM1976A	TAPPO ESTETICO COLONNINA PORTA CL BL
13	VM1510A	BOCCOLA SCANALATA PERNO PORTA XBC/XVC
14	VM1511A	BOCCOLA LISCIA PERNO PORTA CHEFFTOP
15	VM1680A	CERNIERA APERTURA VETRO INTERNO
16	VM2043A	SUPPORTO VETRO SUP - INF
17	VM2042A	ASSIEME CHIUSURA VETRO INTERNO LAT
17	VM2042A	ASSIEME CHIUSURA VETRO INTERNO LAT
19	VM2008A	DISTANZIALE PER MICROPORTA MECC
40	TB2215A	TUBO INTERNO UMIDITA' XB69- XV59- Ø16X1
41	OG1474A	CARTER PUNTATO XB69- XV59-
42	GN1342B	GN1000B-GUARNIZIONE PORTA XBC604-605
43	VN1030A	VENTOLA D196 H81 39 PALE DADO M8
44	OG1476A	DISTANZIALE CARTER BL CL
45	RS1150A	RESISTENZA CIRC. D=230 5 SPIRE
46	GN1327A	GUARNIZIONE RES. 100X22
47	OH4820A	STAFFA SOSTEGNO BULBO
48	GRL1291A	SUPPORTO LAT. DX BL 6 600X400
49	GRL1290A	SUPPORTO LAT. SX BL 6 600X400
50	OH2551A	TAPPO PER TUBO DI SCARICO LIQUIDI INOX C
51	TB1515A	TUBO EST. UMIDITA' + RC1165A0

52	RC1170A	DADO M14 H=8 CH=2, INOX
53	EL1252A	ELETTRIVALVOLA H2O 1 VIA RID. VERDE
54	VT1195A	VETRO COPRILAMPADA BOROSILICATO TEMPRATO
55	GN1055A	OR 46X2 VMQ 70 ROSSO
56	GN1065A	GUARNIZIONE PORTALAMPADA DE=53.2
57	VE1005A	LAMPADA HALOPIN 25W
58	VE1015A	PORTA LAMPADA SERIE 2 PER LAMPADA
59	VM1260A	CURVA A 90° RACCORDO SCARICO
60	OH4305A	DISCO TENUTA ALBERO MOTORE INOX STP
61	GN1140A	GUARNIZIONE PORTAMOTORE STAMP.
62	VN1130A	MOTORE FORNO 330W 230V 50/60HZ
63	OH3586A	LAMIERA PROTEZIONE MOTORE ZINCATO
64	RS1261A	RESISTENZA MOTORE BAKERLUX\CHEFLUX
65	GN1326A	GUARNIZIONE RESISTENZA 71X19 G6.25
100	OD2132A	FIANCO SX XB69- XV59-
101	OD2125A	COPERCHIO BAKERLUX CHEFLUX
102	OF1428A	SCHIENA ZINCATA XB69- XV59-
103	OE1303A	FONDO ZINCATO BAKERLUX CHEFLUX
104	PD1063A	STAFFA BLOCCAGGIO PIEDE CT BT
105	PD1066B	PIEDE H100 PLASTICA BICOMPONENTE
106	OH6335A	LONGHERONE PIEDINI
107	VM1975A	STAFFA INFERIORE SOSTEGNO PORTA
108	OH6333A	CONTROSTAFFA PORTA FILETTATA BL CL
109	VM1974A	PIASTRINA CHIUSURA CRUSCOTTO
110	VM1200A	PIASTRINA SUPPORTO MICROPORTA MECCANICO
111	VM1195A	PIASTRINA COPRIFORI XVC204/304/504/704
112	VE1295A	MICROINTERRUTTORE PORTA MK 16A 230V UL
113	OH1450A	ANGOLO FACCIATA MUFFOLA INOX XB-XV-XG
114	VM1461A	COPERCHIO SX SCROCCO PORTA XBC/XVC
115	VM1191A	SCROCCO MANIGLIA SX CT BT
116	VM1192A	COPERCHIO SCROCCO MANIGLIA CT BT

117	VM1460A	COPERCHIO DX SCROCCO PORTA XBC/XVC
118	VM1190A	SCROCCO MANIGLIA DX CT BT
119	VM1556A	PROTEZIONE VENTOLA RAFFREDDAMENTO CT-BT
120	VM1555A	SUPPORTO VENTOLA RAFFREDDAMENTO CT BT
121	VN1162A	VENTOLA 230V BL CL
122	OH2560A	CONTROSTAFFA ZINCATA PORTA C.T.
123	VM1165B	STAFFA SUPERIORE PORTA CT BT
124	VM1166A	COPERCHIO STAFFA SUPERIORE PORTA
125	OH3790A	LAMIERA TENUTA CAMINO
126	GN1275A	GUARNIZIONE CAMINO SILICONE NERO XVC
127	MN1111A	MANOPOLA TERMOSTATO CHEFLUX BAKERLUX
128	MN1112A	MANOPOLA TIMER CHEFLUX BAKERLUX
129	MN1113A	MANOPOLA UMIDITA CHEFLUX BAKERLUX
130	VE1585A	GEMMA ELLITTICA AZZURRA SINUSOIDE ORO
131	VE1530A	GEMMA ELLITTICA AZZURRA TERMOMETRO ORO
132	VM2007A	TASTO ARGENTO OPACO VELOCITA VENTOLA
133	VM2009A	SUPPORTO ELLITTICO D16 ARGENTO
134	VM1762A	SUPPORTO LAMPADA INTERNO
135	VE1535A	LED BIANCO 230V
136	TM1005A	TIMER MI2 60 MIN 250V 16A
137	TM1001C	SUONERIA ELETTRONICA 15 SEC 120V
138	TR1100A	TERMOSTATO REG. 269°C 55.19052.80
139	VE1561A	PULSANTE BIPOLARE NA/NA
140	VE1556A	REGOLATORE ENERGIA 240V
141	VM1972A	CRUSCOTTO BAKERLUX/CHEFLUX MECCANICO
142	EL1195A	RACCORDO A GOMITO CON J.GUEST
143	EL1185A	RACCORDO A GOMITO J.GUEST Ø8 - Ø8
144	TB1980A	TB1815A-ALLACCIAMENTO FORNI ALLA RETE
145	EL1375A	FILTRO ACQUA Ø8 MESH100
146	RC1210A	RACCORDO 3/4 VALVOLA DI NON RITORNO
147	OD2133A	FIANCO DX MANUAL XB693 XB593

180	OH6241B	SUPPORTO COMPONENTI BL CL MANUAL
181	CE1460A	CAVO 5X4MMQ H07RN-F L=1,8MT
182	VM1310A	SCATOLA COPRI MORSETTIERA XB/XV/XVC/XG
183	MR1004A	MORSETT. 7FTW GV V0 VL CU 1+2+3/4+5+6
184	VE1110A	CONDENSATORE 6,3 7F 450VAC 50/60HZ
185	VM1750A	MORSETTIERA A PETTINE
186	VE1555A	INVERTITORE DI MARCIA
187	VE1115A	MINICONTATTORE QUADRIPOLE 20 A 230 V
188	TR1136A	TERMOSTATO SIC. UNIP. 330°C
189	OH6361A	LAMIERA FISSAGGIO TELERUTTORI
190	VE1095A	TELERUTTORE GE 25A 230V 50/60
191	VM1075A	CLIP DI FISSAGGIO PER TELERUTTORI

MOD:XB693

Зип Общепит



vsezip.ru

Codes descriptions

EN

+7(812)987-08-81

1	VT1255A	XB69- XC59- EXTERNAL GLASS
2	VT1135A	INTERNAL GLASS 743X620X6 XBC604
3	CR1085A	INTERNAL GLASS UPPER HINGE
4	GN1181A	CR1085-1086 INTERNAL GLASS HINGE SEAL
5	CR1086A	INTERNAL GLASS LOWER HINGE
6	TB2383A	BAKERLUX XB693-695 DOOR LEFT COLUMN
7	TB2382A	BAKERLUX XB693-695 DOOR RIGHT COLUMN
8	TB2384B	BAKERLUX CHEFLUX DOOR UPPER LISTEL
9	TB2404A	BAKERLUX CHEFLUX DOOR LOWER LISTEL
10	VM1977A	CL BL DOOR UPPER FULCRUM-CAP
11	VM1978A	CL BL DOOR LOWER FULCRUM-CAP
12	VM1976A	CL BL DOOR COLUMN BLANKING CAP
13	VM1510A	XBC/XVC GROOVED DOOR PIN BUSHING
14	VM1511A	XBC/XVC SLEEK DOOR PIN BUSHING
15	VM1680A	INTERNAL GLASS HINGE
16	VM2043A	UPPER - LOWER GLASS SUPPORT
17	VM2042A	INTERNAL GLASS LATERAL LOCKING SYSTEM
17	VM2042A	INTERNAL GLASS LATERAL LOCKING SYSTEM
19	VM2008A	SPACER FOR MICROSWITCH
40	TB2215A	XB69- XV59- HUMIDITY INTERNAL PIPE Ø16X1
41	OG1474A	XB69- XV59- FAN GUARD
42	GN1342B	DOOR GASKET GN1000B FOR XBC604-605
43	VN1030A	MOTOR FAN D196 H81 39 BLADE NUT M8
44	OG1476A	BL CL FAN GUARD SPACER
45	RS1150A	CIRC.HEAT. ELEMENT D=230 5 TURNS
46	GN1327A	HEATING ELEMENT GASKET 100X22X0.8
47	OH4820A	BULB HOLDING BRACKET
48	GRL1291A	BAKERLUX 6 600X400 RIGHT LATERAL SUPPORT
49	GRL1290A	BAKERLUX 6 600X400 LEFT LATERAL SUPPORT
50	OH2551A	XBC/XVC ST.STEEL DRAIN COVER
51	TB1515A	EXTERNAL WATER PIPE + RC1165A0

52	RC1170A	STAINLESS STEEL NUT M14 H=8 CH=22
53	EL1252A	ONE INLET WATER VALVE J.G.CONN.
54	VT1195A	BOROSILICATE LIGHT BULB GLASS COVER
55	GN1055A	OR 46X2 VMQ 70 RED
56	GN1065A	SEAL FOR LAMP GLASS COVER (PURE
57	VE1005A	HALOGEN LAMP 33W ENERGY SAVER
58	VE1015A	LAMP HOLDER SERIE 2 FOR HALOGEN LAMP
59	VM1260A	90°C CURVED DRAIN PIPE
60	OH4305A	ST. STEEL MOTOR SHAFT SEALING DISC
61	GN1140A	MOLDED MOTOR SUPPORT GASKET
62	VN1130A	330W 230V 50/60HZ MOTOR
63	OH3586A	ZINCATE MOTOR GUARD PLATE XBC-XVC
64	RS1261A	BAKERLUX/CHEFLUX BREAKING FAN ELEMENT
65	GN1326A	ELEMENT SEALING
100	OD2132A	XB69- XV59- LEFT SIDE EXTERNAL PANEL
101	OD2125A	BAKERLUX CHEFLUX COVER
102	OF1428A	XB69- XV59- ZINCED PLATED BACK PANEL
103	OE1303A	BAKERLUX CHEFLUX ZINCED BOTTOM PANEL
104	PD1063A	CT BT FOOT STOP BRACKET
105	PD1066B	BI-COMPONENT FOOT H100
106	OH6335A	BRACKET FOR FEET
107	VM1975A	DOOR SUPPORT LOWER BRACKET
108	OH6333A	BL CL THREADED DOOR COUNTER BRACKET
109	VM1974A	BOARD CLOSING PLATE
110	VM1200A	DOOR MECHANIC MICROSWITCH SUPPORT PLATE
111	VM1195A	HOLES BLANKING PLATE XVC204/304/504/704
112	VE1295A	DOOR MICROSWITCH MK 16A 230V UL
113	OH1450A	XB-XV-XG ST. STEEL MUFFLE FRONT CORNER
114	VM1461A	XBC/XVC LEFT DOOR LATCH CAP
115	VM1191A	CT BT LEFT DOOR SPRING LATCH
116	VM1192A	CT BT RIGHT DOOR SPRING LATCH COVER

117	VM1460A	XBC/XVC RIGHT DOOR LATCH CAP
118	VM1190A	CT BT RIGHT DOOR SPRING LATCH
119	VM1556A	XBC-XVC COOLING FAN GUARD
120	VM1555A	CT BT COOLING DOWN FAN SUPPORT
121	VN1162A	FAN 230V BL CL
122	OH2560A	XBC/XVC ZINC PLAT. DOOR COUNTERBRACKET
123	VM1165B	CT BT DOOR UPPER BRACKET
124	VM1166A	CAP FOR DOOR UPPER STIRRUP XVC204/304/5
125	OH3790A	CHIMNEY HOLDING PLATE
126	GN1275A	XBC/XVC BLACK CHIMNEY SEALING
127	MN1111A	CHEFLUX BAKERLUX THERMOSTAT KNOB
128	MN1112A	CHEFLUX BAKERLUX TIMER KNOB
129	MN1113A	CHEFLUX BAKERLUX HUMIDITY CONTROL KNOB
130	VE1585A	BLUE LIGHT COVER GOLD SINUSOID
131	VE1530A	BLUE LIGHT COVER GOLD THERMOMETER
132	VM2007A	FAN SPEED SILVER BUTTON
133	VM2009A	ELLIPTICAL SILVER SUPPORT D16
134	VM1762A	INNER LAMP SUPPORT
135	VE1535A	WHITE LED 230V
136	TM1005A	TIMER MI2 60 MIN 250V 16A
137	TM1001C	ELECTRONIC BUZZER 15 SEC 120V
138	TR1100A	269°C ADJUSTABLE THERMOSTAT 55.19052.80
139	VE1561A	BIPOLAR SWITCH NA/NA
140	VE1556A	THERMAL SWITCH 240V
141	VM1972A	BAKERLUX/CHEFLUX MANUAL CONTROL PANEL
142	EL1195A	ELBOW UNION WITH J.GUEST TERMINAL
143	EL1185A	ELBOW CONNECTION J. GUEST Ø8 - Ø8
144	TB1980A	TB1815A-ALLACCIAMENTO FORNI ALLA RETE
145	EL1375A	Ø8 MESH100 WATER FILTER
146	RC1210A	3/4 FEM. UNION +FILTER + NONRETURN VALVE
147	OD2133A	XB693 XB593 RIGHT SIDE EXTERNAL PANEL

180	OH6241B	BAKER/CHEFLUX MANUAL COMPONENTS SUPPORT
181	CE1460A	CABLE 5X4MMQ H07RN-F L=1,8MT
182	VM1310A	COVER FOR TERMINAL BOX XB/XV/XVC/XG
183	MR1004A	TERMINAL 7FTW GV V0 VL CU 1+2+3/4+5+6
184	VE1110A	CONDENSER 6,3 7F 450VAC 50/60HZ
185	VM1750A	TERMINAL BOARD
186	VE1555A	REVERS.SWITCH MOTOR P19.5I.02.H6.17
187	VE1115A	MINICONTRACTOR WITH 4 POLES 20 A 230 V
188	TR1136A	SAFETY THERMOSTAT UNIP. 330°C
189	OH6361A	REMOTE CONTROL SWITCH FIXING PANEL
190	VE1095A	REMOTE CONTROL SWITCH GE 25A 230V
191	VM1075A	PLASTIC CLIP TO FIX CONTACTORS