



Virtus®

Вирт Общепит

vsezip.ru

Group

+7(812)987-08-81

Service



Virtus s.r.l.

via Milano 95/e
27045 Casteggio (PV) / Italy

+39 0383 8906 12
+39 0383 8096 01

www.virtusnet.eu

Virtus Group GmbH

Hüserstraße 53
59075 Hamm / Germany

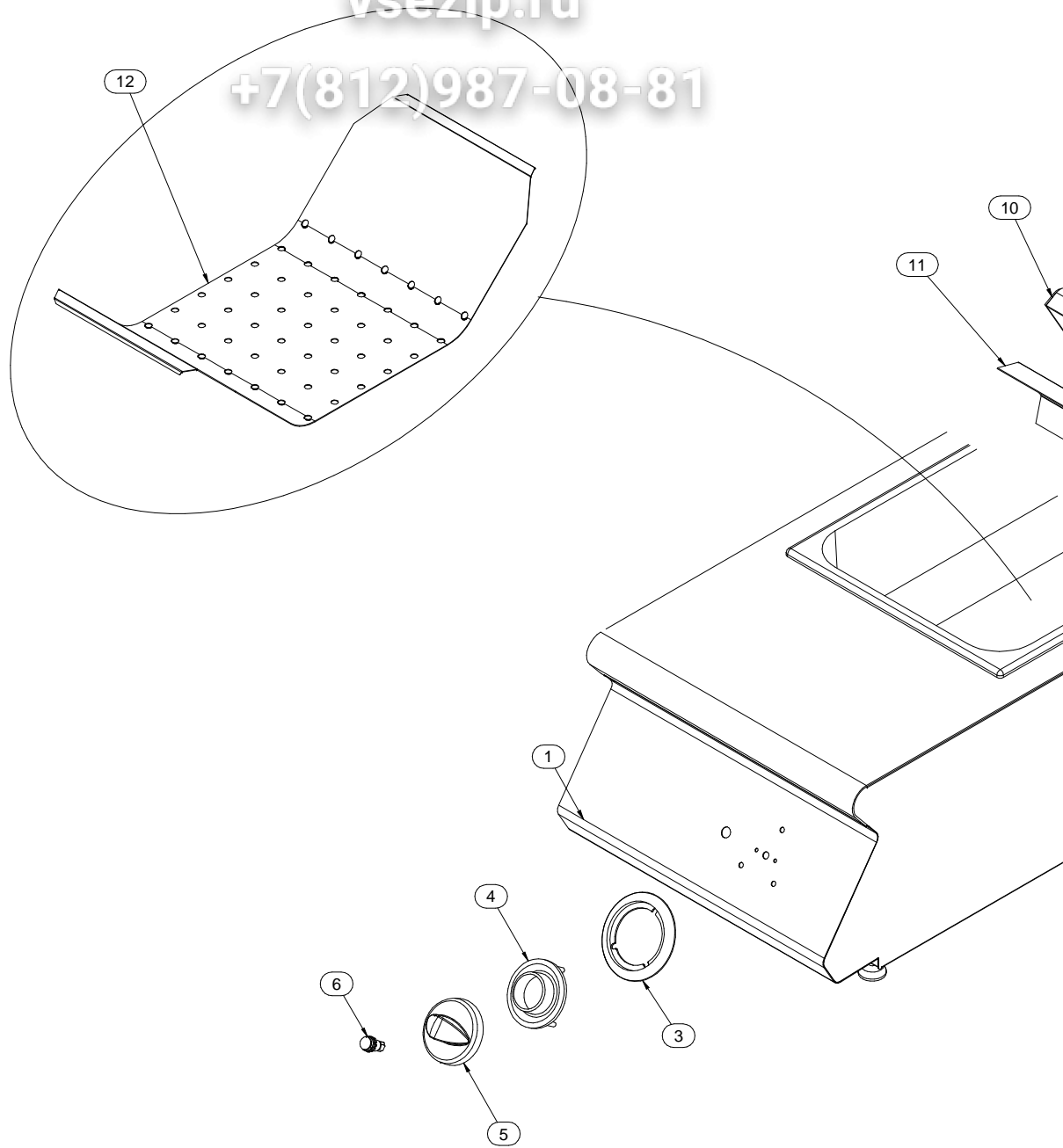
+49 (0) 2381/97371- 0
+49 (0) 2381/97371-88

www.virtusnet.de

Зип Общепит

vsezip.ru

+7(812)987-08-81

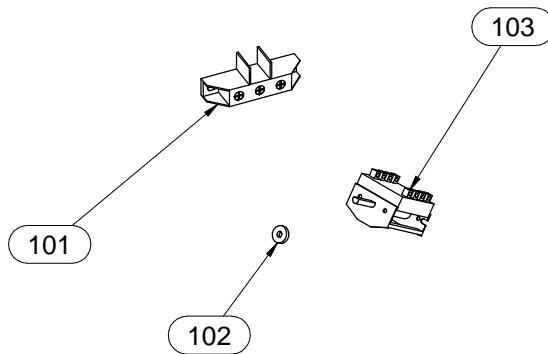
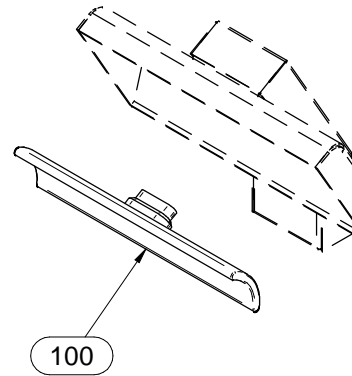


Mod./Type: **70/... SPE... - 90/... SPE...**

Зип Общепит
EXTREME

vsezip.ru

+7(812)987-08-81



| Mod.: | _70/... SPE... Зип Общепит | | | cod. / num. | 2531972.00 |
|-------|----------------------------|----------------------------|-------------------------------|--------------------------------|--------------|
| | _90/... SPE... | | | data / date | 19/01/2015 |
| | | | | rif. / ref. | 2531971.00 |
| POS. | DESCRIZIONE | DESCRIPTION | DENOMINATION | BENENNUNG | COD. |
| 1 | CRUSCOTTO | CONTROL PANEL | BANDEAU | BEDIENBLLENDE | 6111589.00 |
| 2 | | | | | |
| 3 | SERIGRAFIA | SCREEN PRINT | SÉRIGRAPHIE | SIEBDRUCK | 910.169.00 |
| 4 | LABIRINTO | LABYRINTH | LABYRINTHE | LABYRINTH | 256.218.00 |
| 5 | MANOPOLA | KNOB | BOUTON | DREHKNOPF | 951.059.00 * |
| 6 | LAMPADA SPIA ARANCIO | ORANGE INDICATOR LIGHT | LAMPE TEMOIN ORANGE | ORANGE KONTROLLAMPE | 963.013.00 * |
| 7 | PIEDINO | FOOT | PIED | STELLFUSS | 951.050.00 * |
| 8 | PIASTRINA GIUNZIONE | FIXING PLATE | PLAQUETTE FIXAGE | BEFESTIGUNGSPLATTE | 941.130.00 |
| 9 | CHIUSURA | LOCK | FERMETURE | SCHLUSS | 9211550.00 |
| 10 | SUPPORTO RESISTENZE | HEATING ELEMENTS SUPPORT | SUPPORT ÉLÉMENTS CHAUFFANTS | HEIZELEMENTE TRÄGER | 9211549.15 |
| 11 | SCHERMO RESISTENZA | HEATING ELEMENT PROTECTION | PROTECTION ÉLÉMENT CHAUFFANTE | DER BILDSCHIRM DES WIDERSTANDS | 6221477.00 |
| 12 | FALSO FONDO | FALSE BOTTOM | FAUX-FOND | ABTROPFPLATTE | 621.159.00 |
| 13 | | | | | |
| 14 | | | | | |
| 15 | | | | | |
| 16 | | | | | |
| 17 | | | | | |
| 18 | | | | | |
| 19 | | | | | |
| 20 | | | | | |
| 21 | | | | | |
| 22 | | | | | |
| 23 | | | | | |
| 24 | | | | | |
| 25 | | | | | |
| 26 | | | | | |
| 27 | | | | | |
| 28 | | | | | |
| 29 | | | | | |
| 30 | | | | | |
| 31 | | | | | |
| 32 | | | | | |
| 33 | | | | | |
| 34 | | | | | |
| 35 | | | | | |
| 36 | | | | | |
| 37 | | | | | |

