



Virtus®

Вирт Общепит

vsezip.ru

Group

+7(812)987-08-81

Service



Virtus s.r.l.

via Milano 95/e  
27045 Casteggio (PV) / Italy

+39 0383 89 06 12  
+39 0383 80 96 01

[www.virtusnet.eu](http://www.virtusnet.eu)

Virtus Group GmbH

Hüserstraße 53  
59075 Hamm / Germany

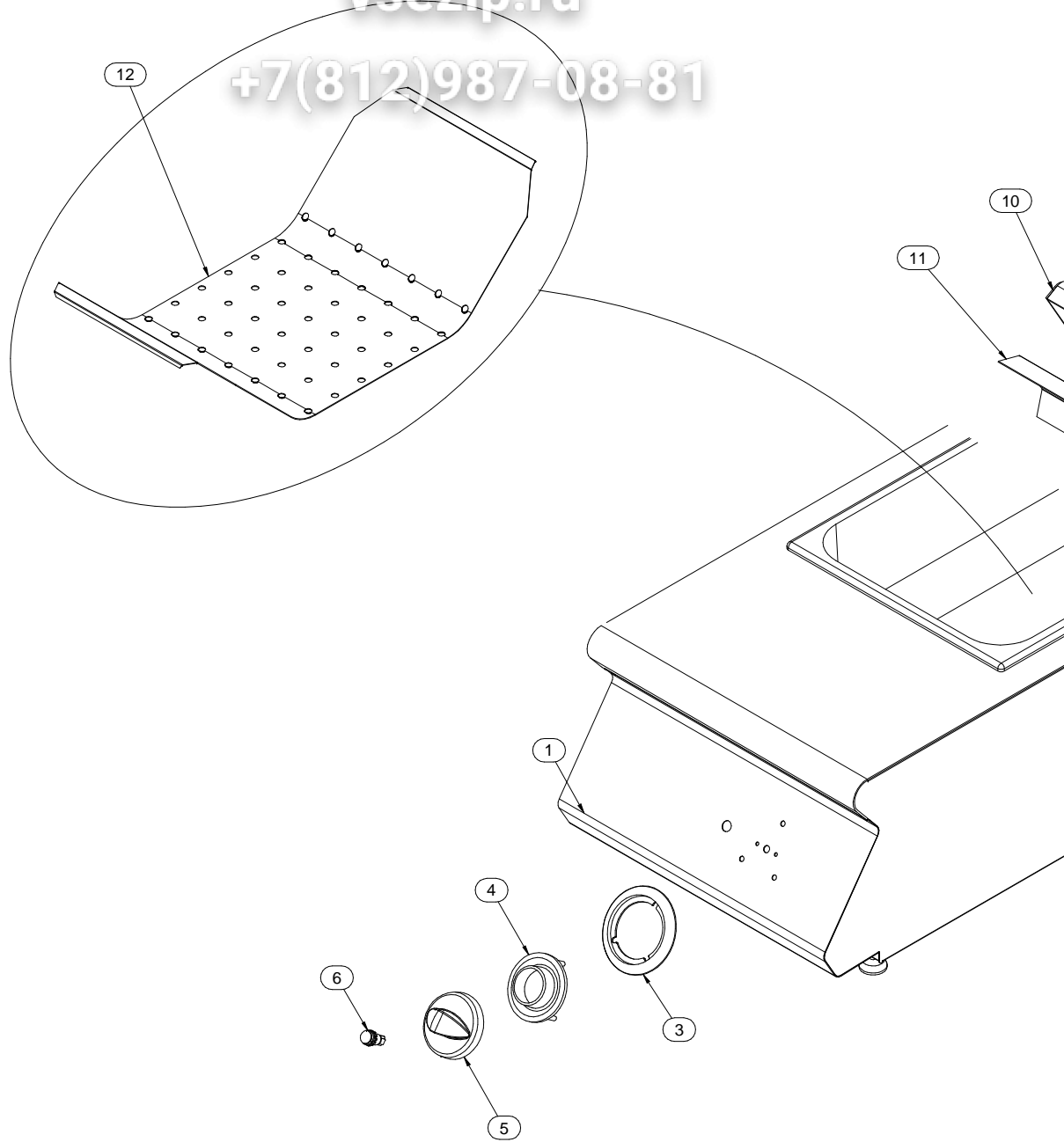
+49 (0) 23 81 / 973 71- 0  
+49 (0) 23 81 / 973 71- 88

[www.virtusnet.de](http://www.virtusnet.de)

# Зип Общепит

vsezip.ru

+7(812)987-08-81

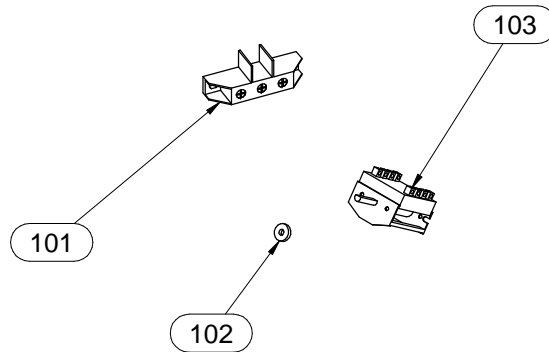
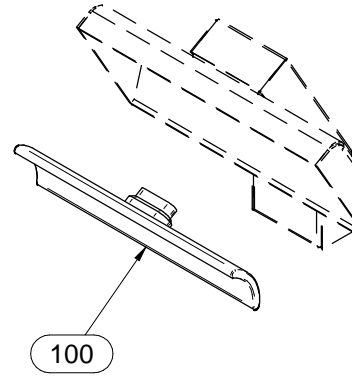


Mod./Type: **70/... SPE... - 90/... SPE...**

**Зип Общопит**  
**EXTREME**

**vsezip.ru**

**+7(812)987-08-81**



Mod.:	_70/... SPE... Зип Общепит			cod. / num.	2531972.00
	_90/... SPE...			data / date	19/01/2015
				rif. / ref.	2531971.00
POS.	DESCRIZIONE	DESCRIPTION	DENOMINATION	BENENNUNG	COD.
1	CRUSCOTTO	CONTROL PANEL	BANDEAU	BEDIENBLLENDE	6111589.00
2					
3	SERIGRAFIA	SCREEN PRINT	SÉRIGRAPHIE	SIEBDRUCK	910.169.00
4	LABIRINTO	LABYRINTH	LABYRINTHE	LABYRINTH	256.218.00
5	MANOPOLA	KNOB	BOUTON	DREHKNOPF	951.059.00 *
6	LAMPADA SPIA ARANCIO	ORANGE INDICATOR LIGHT	LAMPE TEMOIN ORANGE	ORANGE KONTROLLAMPE	963.013.00 *
7	PIEDINO	FOOT	PIED	STELLFUSS	951.050.00 *
8	PIASTRINA GIUNZIONE	FIXING PLATE	PLAQUETTE FIXAGE	BEFESTIGUNGSPLATTE	941.130.00
9	CHIUSURA	LOCK	FERMETURE	SCHLUSS	9211550.00
10	SUPPORTO RESISTENZE	HEATING ELEMENTS SUPPORT	SUPPORT ÉLÉMENTS CHAUFFANTS	HEIZELEMENTE TRÄGER	9211549.15
11	SCHERMO RESISTENZA	HEATING ELEMENT PROTECTION	PROTECTION ÉLÉMENT CHAUFFANTE	DER BILDSCHIRM DES WIDERSTANDS	6221477.00
12	FALSO FONDO	FALSE BOTTOM	FAUX-FOND	ABTROPFPLATTE	621.159.00
13					
14					
15					
16					
17					
18					
19					
20					
21					
22					
23					
24					
25					
26					
27					
28					
29					
30					
31					
32					
33					
34					
35					
36					
37					

