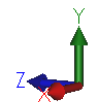
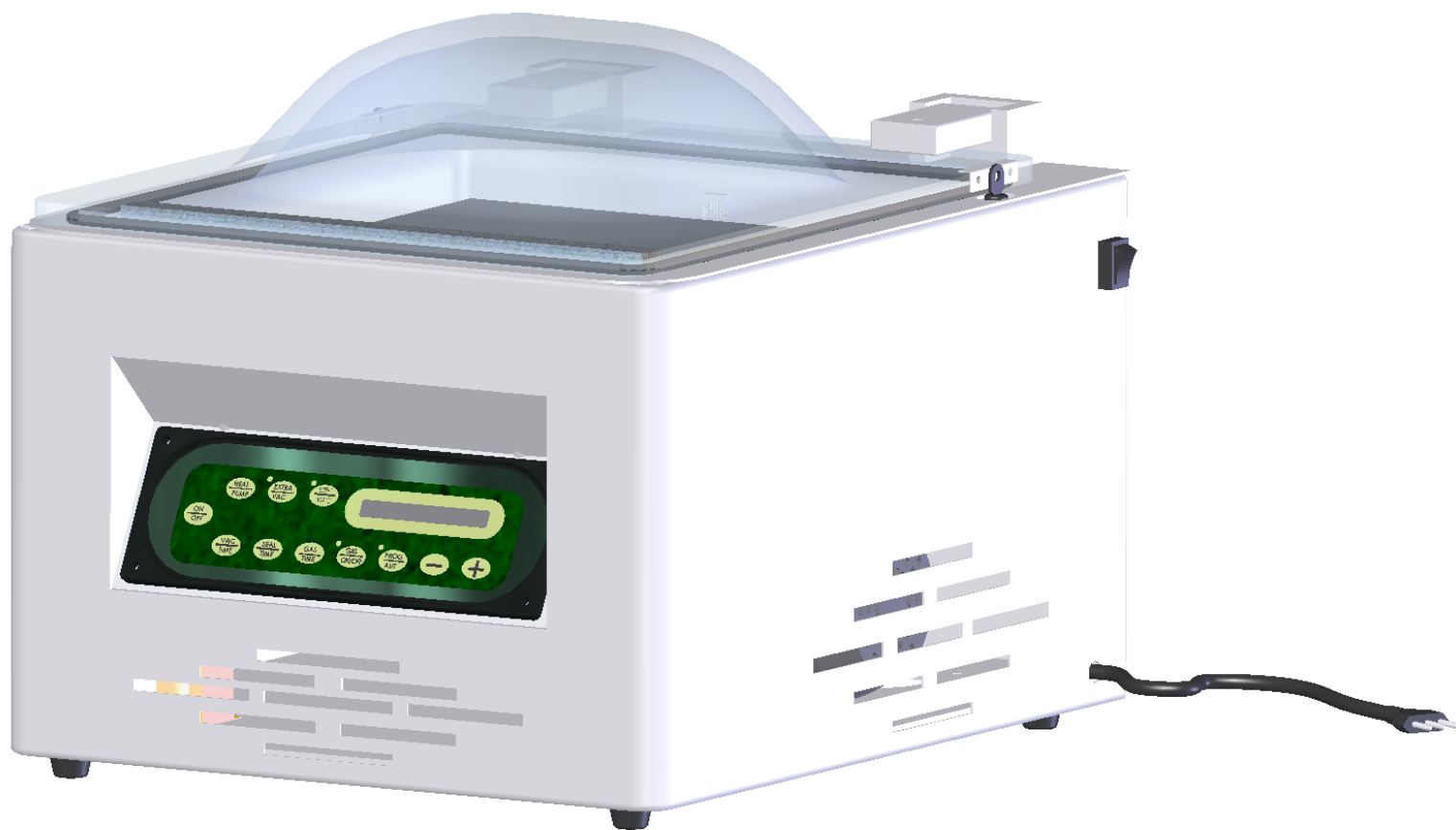
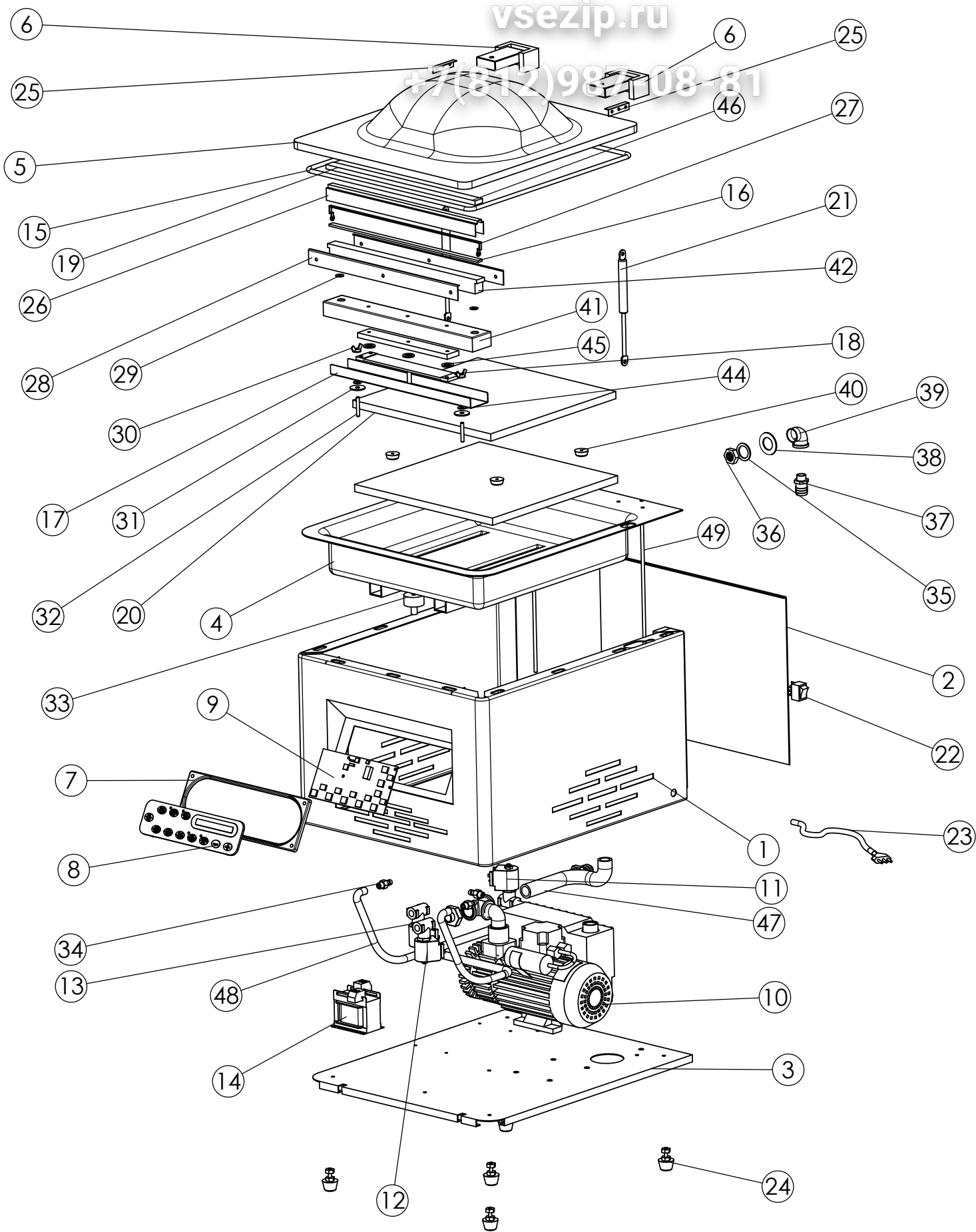


Зип Общепит

www.zip.ru
+7(812)987-08-81
**COMPLETE VIEW
MODELS
WITH BELL FOR THE DESK**



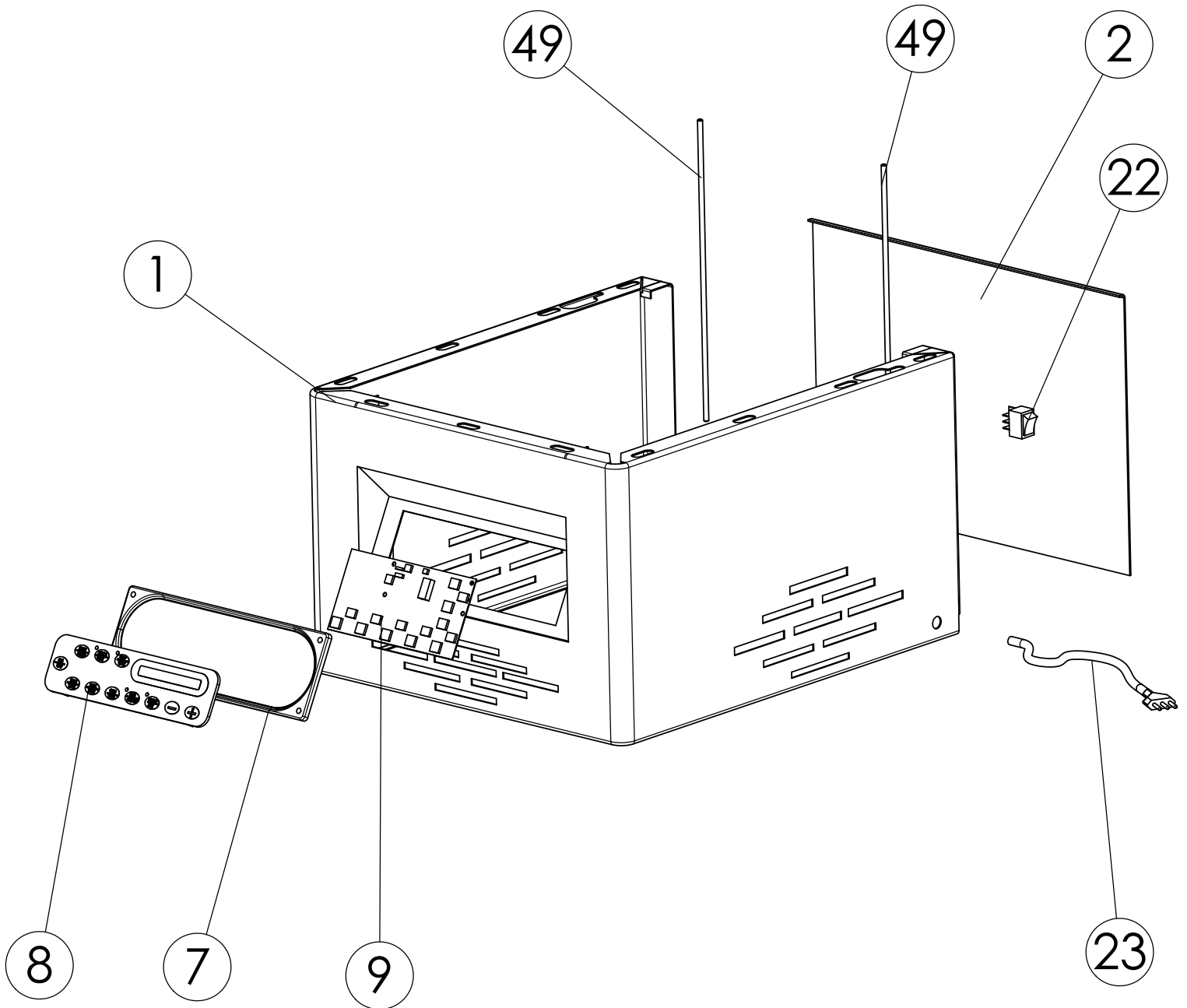
COMPLETE EXPLODED VIEW MODELS WITH BALL BEARING FOR THE DESK



PARTICULAR EXPLODED VIEW STRUCTURE MODELS WITH BELL FOR THE DESK

vsezip.ru

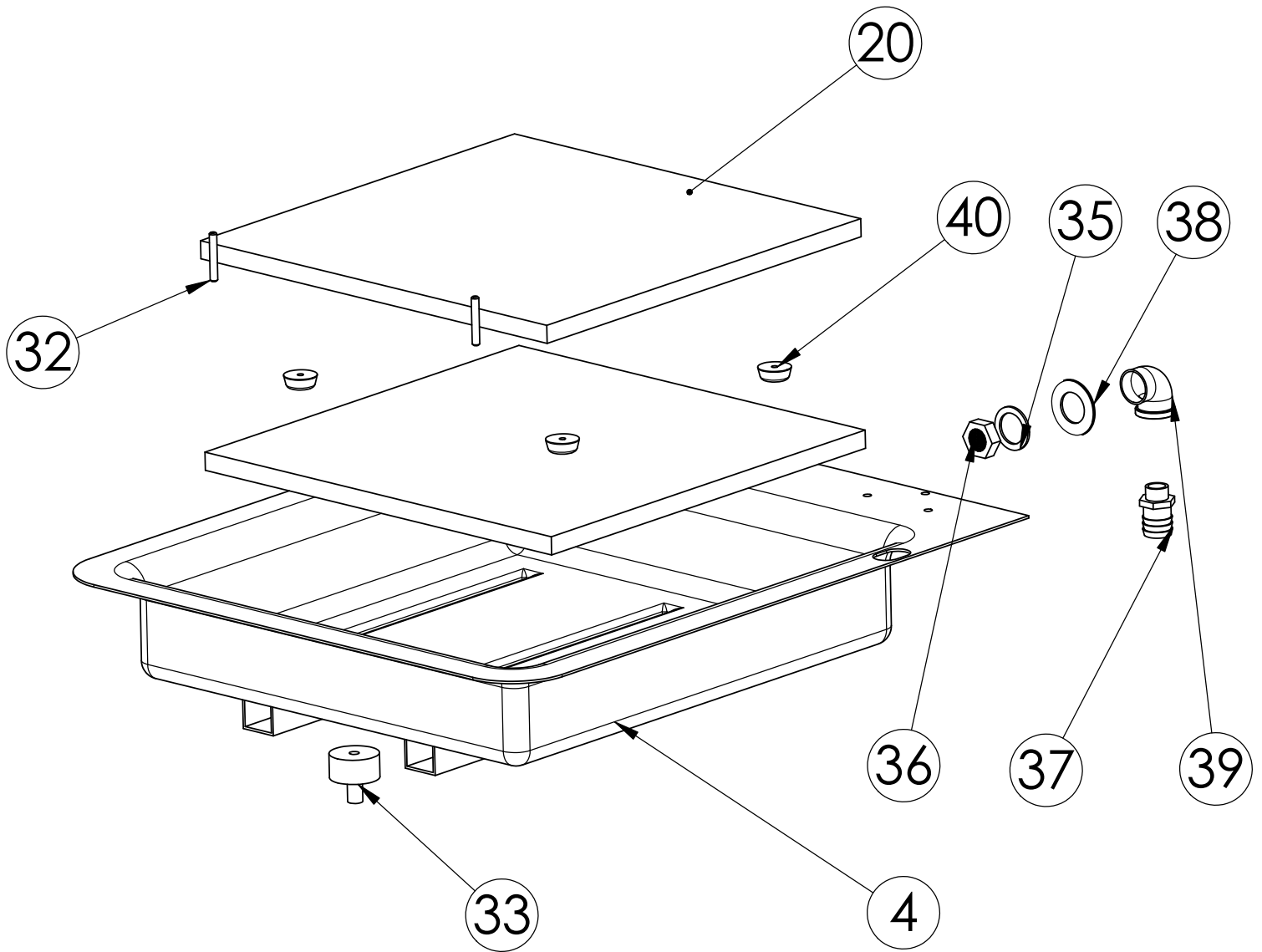
+7(812)987-08-81



PARTICULAR EXPLODED VIEW CHAMBER MODELS WITH BELL FOR THE DESK

vsezip.ru

+7(812)987-08-81

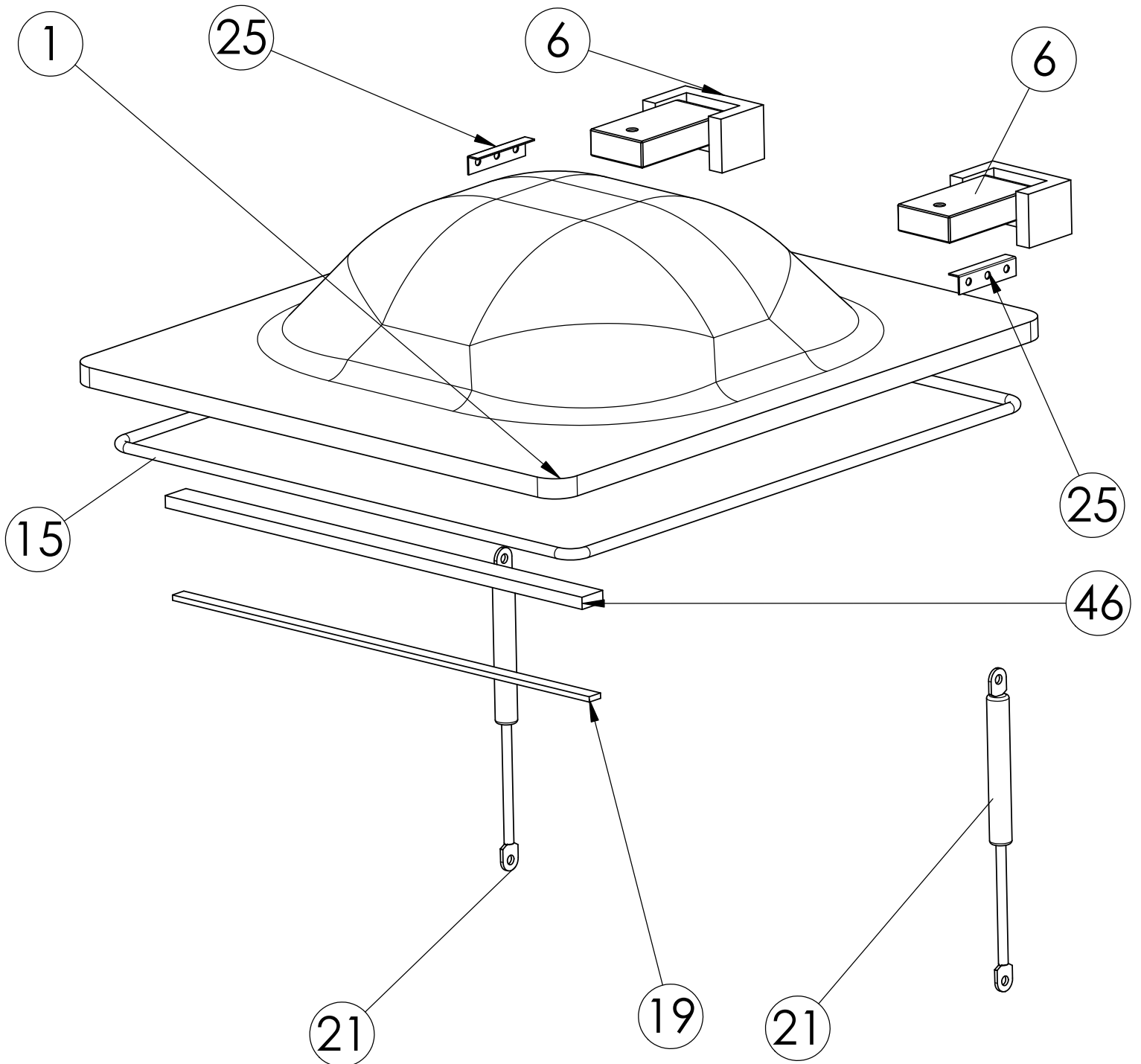


PARTICULAR EXPLODED VIEW BELL MODELS WITH BELL FOR THE DESK

Зип Обществу

vsezip.ru

+7(812)987-08-81

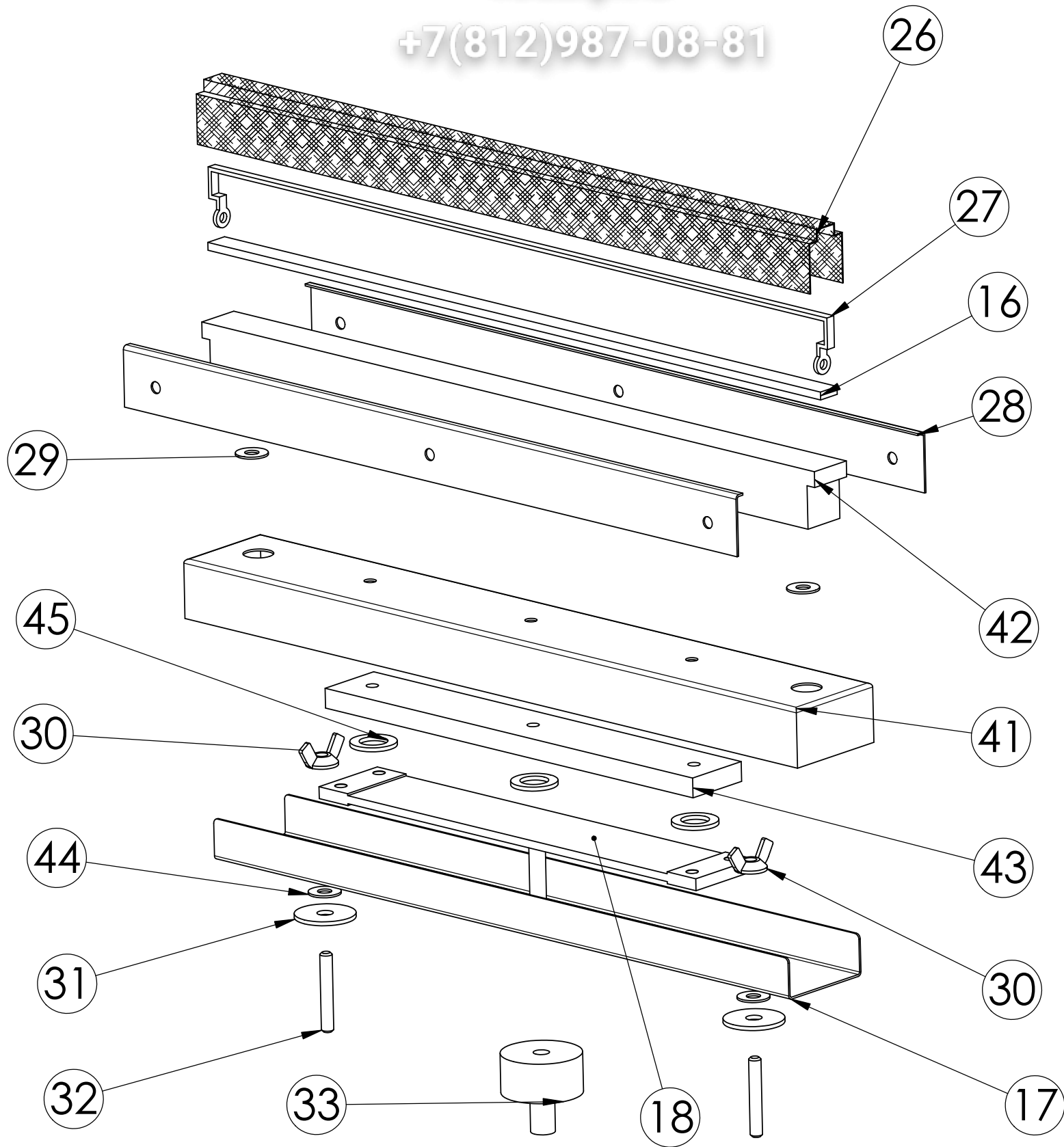


PARTICULAR EXPLODED VIEW BELL MODELS WITH BELL FOR THE DESK

3m Obmen

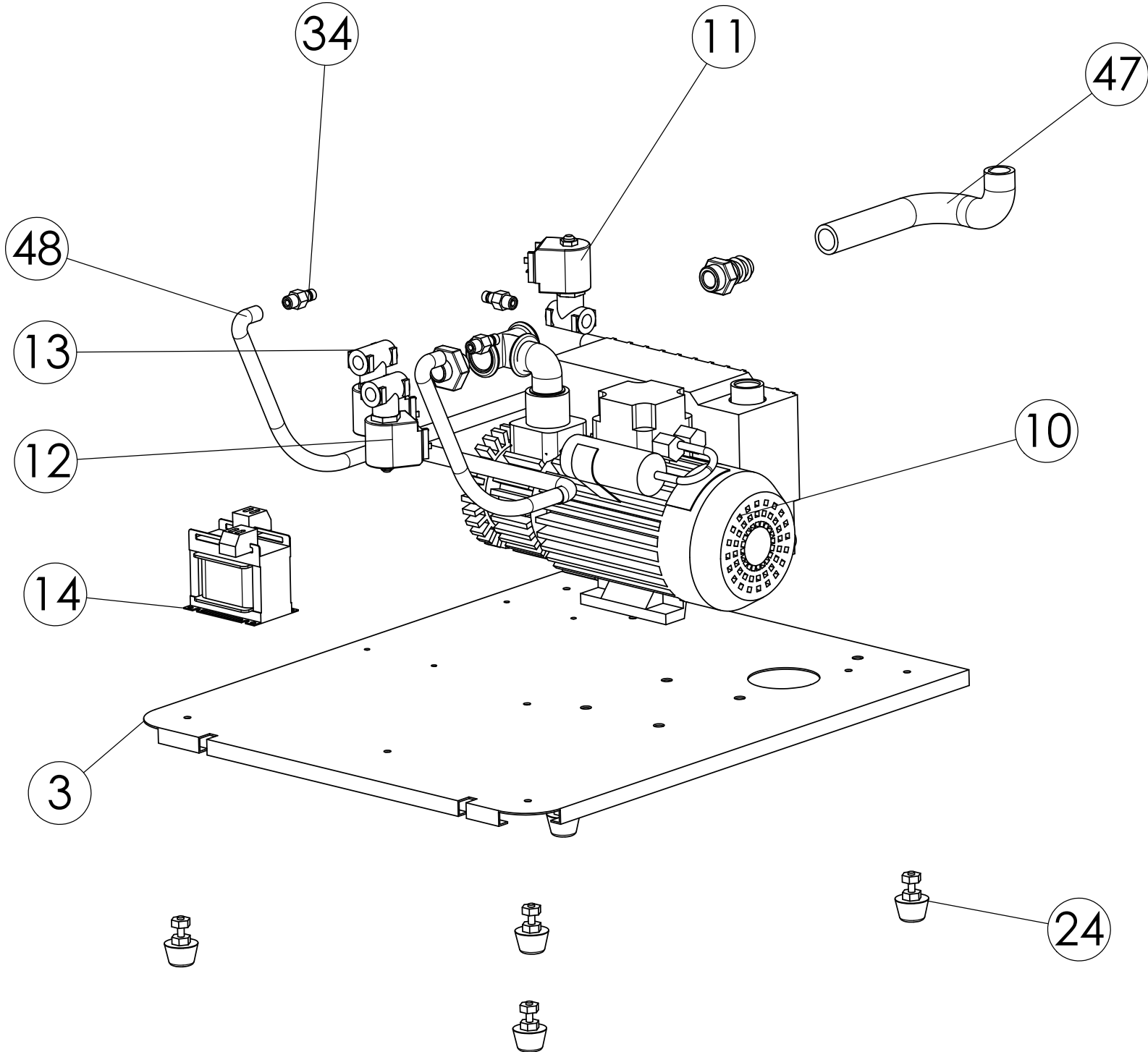
vsezip.ru

+7(812)987-08-81



PARTICULAR EXPLODED VIEW MACHINE BASE MODELS WITH BELL FOR THE DESK

+7(812)987-08-81



COMPONENTS LEGEND OF DIGITAL VACUUM PACKAGING MACHINE WITH BELL FOR THE DESK

vsezip.ru

+7(812)987-08-81

- 1 - STAINLESS STEEL STRUCTURE
- 2 - STAINLESS STEEL BACK DOOR
- 3 - MACHINE BASE
- 4 - STAINLESS STEEL PRINTED CHAMBER
- 5 - PLEXIGLASS BELL
- 6 - N° 2 ALUMINIUM HINGES TO FIXE THE CHAMBER
- 7 - SUPPORT FOR THE PANEL OF BLACK ABS
- 8 - DIGITAL LCD CONTROL PANEL COD. 0650T
- 9 - ELECTRONIC CARD COD. 0650
- 10 - VACUUM PUMP
- 11 - GAS INJECTION SOLENOID VALVE 2V COD. 0618
- 12 - UNLOADING SOLENOID VALVE 2V COD. 0618
- 13 - SEALING SOLENOID VALVE 3V COD. 0618
- 14 - ELECTRIC TRANSFORMER COD. 0676
- 15 - RUBBER GASKET FOR BELL MODELS COD. 0622
- 16 - BAKELITE SUPPORT
- 17 - BELOW SUPPORT FOR THE WELDING BAR
- 18 - WELDING DIAPHRAGM COD. 0646
- 19 - STAINLESS STEEL SILICONE HOLDER
- 20 - FILLING PLATFORM OF POLYETHYLENE
- 21 - PISTON FOR BELL OPENING COD. 0681
- 22 - LINE SWITCH COD. 0616
- 23 - POWER SUPPLY CABLE
- 24 - RUBBER FEET FOR MACHINE SUPPORT COD. 0631
- 25 - SUPPORT FOR PNEUMATIC PISTON
- 26 - NON CONDUCTOR TEFLON CLOTH COD. 0660
- 27 - ELECTRIC RESISTANCE MM 5X0.30 COD. 0636
- 28 - STAINLESS STEEL CORNER FOR SEALING BAR
- 29 - SPACER WASHER
- 30 - FIXING SEALING BAR
- 31 - NON-CONDUCTOR SPACERS OF POLYETHYLENE
- 32 - CONTACT BAR ELECTRIC RESISTANCE
- 33 - ALUMINIUM CYLINDER FOR FIXING DIAPHRAGM
- 34 - NIPPLES
- 35 - O.R. RUBBER
- 36 - NIKEL BRASS NUT
- 37 - NIPPLES
- 38 - METAL RING
- 39 - BRASS CURVE FOR ASPIRATION
- 40 - RUBBER FEET FOR FILLING PLATFORMS
- 41 - UPPER BOX FOR SEALING BAR COD. 0615
- 42 - POLYETHYLENE BAR COD. 0614
- 43 - COUNTERBALANCE FOR SEALING BAR
- 44 - SPACER WASHER
- 45 - SPACER WASHER
- 46 - LID BAR WITH SILICONE COD. 0603
- 47 - ZINC-COATED MUFF
- 48 - ASPIRATION TUBE
- 49 - THREAD BAR M6 FOR AUTOREGULATION