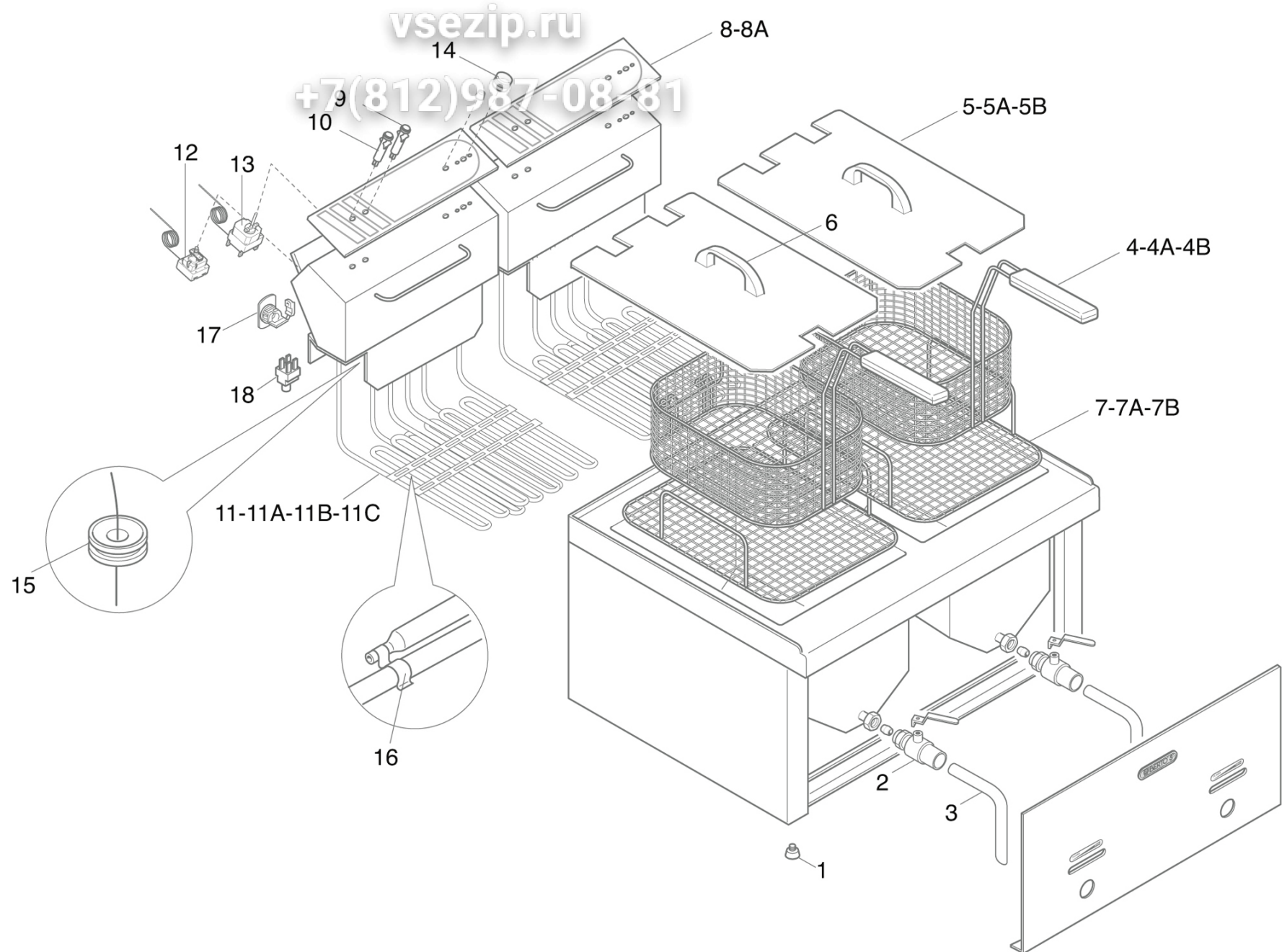




ELT18B

Зип Ощепит





ELT18B

Зип Общепит

vsezip.ru

+7(812)987-08-81

| Pos. Item | Codice Code | Descrizione | Item Description | Designation articles | Artikelbeschreibung | Decripción articulos | N° pezzi - No. pieces | | | | | |
|-----------|-------------|--------------------------------|--------------------------------|--------------------------------|-------------------------------|--------------------------------|-----------------------|--|--|--|--|---|
| | | | | | | | | | | | | |
| 1 | 30684100 | Piedinoxbanc d.30xm8condado ba | Foot h.6mm | Pied h.6mm | Fuss h.6mm | Pata h.6mm | | | | | | 4 |
| 2 | 32685400 | Rubinetto scarico frontale com | Frontal outlet tap | Robinet de vidange frontal | Abflusshahn | Grifo de descarga frontal | | | | | | 1 |
| 3 | 22698100 | Gomito scarico olio/acqua | Outlet elbow | Coude de vidange | Abfluss-winkelstuk | Codo de descarga | | | | | | 1 |
| 4A | 33614600 | Cesto elt12/30 e7110 | Basket | Panier | Korb | Cesta | | | | | | - |
| 4 | 33614400 | Cesto elt8/10-gl8 | Basket 8/10 gl8 | Panier 8/10 gl8 | Korb 8/10 gl8 | Cesta 8/10 gl8 | | | | | | - |
| 4B | 32617100 | Cesto gl10/15-elt 18 | Basket (gl15) | Panier (gl15) | Korb (gl15) | Cesta (gl15) | | | | | | 1 |
| 5 | 33807700 | Copricesto elt 12/15 gl8 | Basket cover elt 12/15 gl8 | Couvercle panier elt 12/15 gl8 | Korbabdeckung elt 12/15 gl8 | Tapa para cesta elt 12/15 gl8 | | | | | | - |
| 5B | 33807400 | Copricesto elt18 | Basket cover elt 18 | Couvercle panier elt 18 | Korbabdeckung elt 18 | Tapa para cesta elt 18 | | | | | | 1 |
| 5 | 33806900 | Copricesto elt10 | Basket cover elt 10 | Couvercle panier elt 10 | Korbabdeckung elt 10 | Tapa para cesta elt 10 | | | | | | - |
| 5A | 33807200 | Copricesto elt 12/15 (88-96) | Basket cover elt 12-15 | Couvercle panier elt 12-15 | Korbabdeckung elt 12-15 | Tapa para cesta elt 12 - 15 | | | | | | - |
| 5B | 33807300 | Copricesto elt18 (v.t.) | Basket cover elt 18 | Couvercle panier elt 18 | Korbabdeckung elt 18 | Tapa para cesta elt 18 | | | | | | 1 |
| 6 | 33606100 | Maniglia copr.int.90mm elt.gl/ | Basket cover handle | Poignee du couvercle panier | Handgriff korbabdeckung | Asa de la tapa para cesta | | | | | | 1 |
| 7 | 32714400 | Rpv10 retina vasca gl8-elt10 | Tank filter net rpv 10 | CrÉpine filtre de la cuve rpv | Netz filter fur schale rpv 10 | Malla de filtro cuba rpv 10 | | | | | | - |
| 7A | 33932000 | Rpv12-15 retina vasca elt12/15 | Well net elt 12-15 | CrÉpine cuve elt 12-15 | Wannennetz elt 12-15 | Malla de filtro cuba elt 12 - | | | | | | - |
| 7B | 32714500 | Rpv18 ret.vasca gl10/15-elt18 | Tank filter net rpv 18 | Crépine filtre de la cuve rpv | Netz filter fur schale rpv 18 | Malla de filtro cuba rpv 18 | | | | | | 1 |
| 8 | 33897700 | Pannello frigg.elt8/10/12neutr | Adhesive control panel | Panneau de comm. adhÉsif | Haftenes steuerpanel | Cuadro de mandos adhesivo | | | | | | - |
| 8 | 33898300 | Pannello per elt8/10/12 bertos | Control panel elt8/10/12 | Panneau elt8/10/12 | Steuerpanel elt8/10/12 | Cuadro de mandos elt8/10/12 | | | | | | - |
| 8A | 33897800 | Pannello frigg.elt 18 neutro | Adhesive control panel | Panneau de comm.adhÉsif | Haftenes steuerpanel elt 18 | Cuadro de mandos adhesivo elt | | | | | | 1 |
| 9 | 33171000 | Spia giallo/verde 400v d.10mm | Yellow/green pilot light 400v | TÉmoin lumineux jaune/vert 400 | Gelb/grÜne rundanzeige 400v | Indicador lumin. amarillo/verd | | | | | | 1 |
| 10 | 33171100 | Spia giallo/arancio 400v d.10m | 400v yellow/orange pilot light | TÉmoin lumineux jaune/orange 4 | Gelb/orangefarb.anzeige 400v | Indic.lumin.amarillo/ naranja | | | | | | 1 |
| 11B | 33026500 | Resistenza 7000w-230v elt 18 | 7000w 230v heating element | RÉsistance 7000w 230v | Widerstand 7000w-230v | Resistencia 7000w 230v | | | | | | 1 |
| 11 | 33026600 | Resistenza 5000w-230v elt 10-e | 5000w 230v heating element | RÉsistance 5000w 230v | Widerstand 5000w 230v | Resistencia 5000w 230v | | | | | | - |
| 11A | 33026700 | Resistenza 6000w-230v elt 12-e | 6000w 230v heating element | RÉsistance 6000w 230v | Widerstand 6000w-230v | Resistencia 6000w 230v | | | | | | - |
| 11C | 33026900 | Resistenza 9000w-230v elt 18-e | 9000w 230v heating element | RÉsistance 9000w 230v | Widerstand 9000w-230v | Resistencia 9000w 230v | | | | | | - |
| 11 | 33026300 | Res.4800w 230v elt30 | 4800w 230v heating element | RÉsistance 4800w 230v | Widerstand 4800w-230v | Resistencia 4800w 230v | | | | | | - |
| 11 | 33026800 | Res.7000w 230v elt 15-e | Heating elem. 7000w 230v elt15 | Resist. 7000w 230v elt15-e | Widerstand 700w 230v elt 15-e | Resistencia 700w 230v elt15-e | | | | | | - |
| 12 | 33070800 | Termost.sicur.trif. dado frig. | Safety thermostat | Thermostat de surete | Sicherheitsthermostat | Termostato de seguridad | | | | | | 1 |
| 13 | 33066200 | Termost.lavoro trif.frigg. el. | Cooking thermostat | Thermostat de service | Betriebsthermostat | Term.de funcionam. trifÁsico | | | | | | 1 |
| 14 | 30654300 | Manopola lx nera o timer 2 | Black thermostat knob | Manette du thermostat noire | Drehknopf thermostat | Mando negro temporizador | | | | | | 1 |
| 15 | 33602400 | Guar.passab.sa/e60 elt8/10/12/ | Bulb seal sa/e60 elt8/10/12/16 | Joint passe-cÁble | Dichtung kugeldurchgang | Junta para bulbo | | | | | | 1 |
| 16 | 33612900 | Mollette stringibulbo fr. elt | Bulb clips | Collier serre-bulbe | Kugel-klemmfeder | Tenacillas para bulbo | | | | | | 1 |
| 17 | 30185400 | Passacavo pa 277 i.m.q. | Cable guide | Passe-cÁble | KabelfÜhrung | Aislador pasapanel | | | | | | 1 |
| 18 | 33059400 | Microinterr.bipolare m10x0.75 | Bipolar microswitch | Micro-interrupteur bipolaire | Zweipol-mikroschalter | Microinterruptor bipolar | | | | | | 1 |