

Зип Общепит
vsezip.ru
+7(812)987-08-81

Icematic®

Spare parts list • *Catalogo ricambi*
Catalogues pièces détachées



Cod. 71503296/0 - 12/2006

N90S

R134a

HOW TO ORDER SPARE PARTS

In order to avoid expensive delays or mistakes by delivery, when you order spare parts, be sure to have indicated the right code-number, the complete description you can find on the list and the quantity for each requested part. Please also include the name of the model for which the spare parts are requested and its own serial number.

COME ORDINARE LE PARTI DI RICAMBIO

Al fine di evitare costosi ritardi od errori nella spedizione, quando ordinate le parti di ricambio, accertatevi di indicare il numero di codice, la descrizione completa che trovate sull'elenco e la quantità per ogni parte di ricambio richiesta. Includere inoltre il nome del modello per cui sono richieste le parti di ricambio ed il suo numero di serie.

COMMENT COMMANDER LES PIÈCES DETACHÉES

Pour éviter des retards coûteux ou des erreurs dans la livraison, au moment de commander les pièces détachées nous vous prions de bien vouloir vous assurer d'avoir indiqué la référence, la description complète que vous trouvez dans la liste et la quantité pour chaque pièce détachée demandée. Inclure en outre le nom du modèle pour lequel les pièces sont demandées et le numero de série.

WIE DIE ERSATZTEILE BESTELLT WERDEN SOLLEN

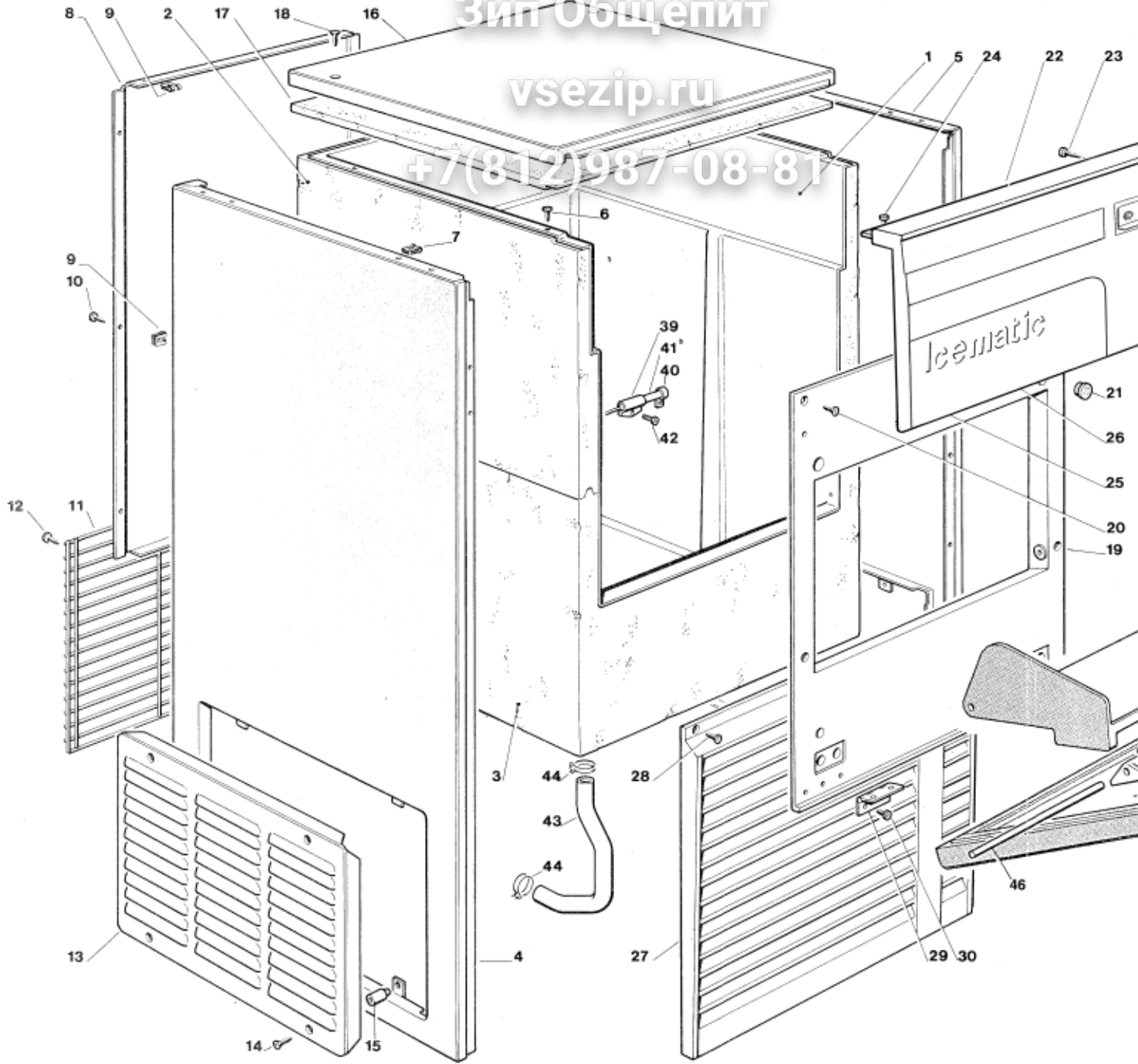
Um Fehl-b.z.w. verspätete Lieferungen zu vermeiden, geben Sie bei den Ersatzteilbestellungen die Kodenummer an. Volle Beschreibung wie in Katalog ersichtlich und Menge für sämtliche bestellte Ersatzteile sollten ebenfalls engegeben werden. Schließlich die bestellten Ersatzteile entsprechende Seriennummer hinweisen.

Зип Общепит

vsezip.ru

+7(812)987-08-81

2



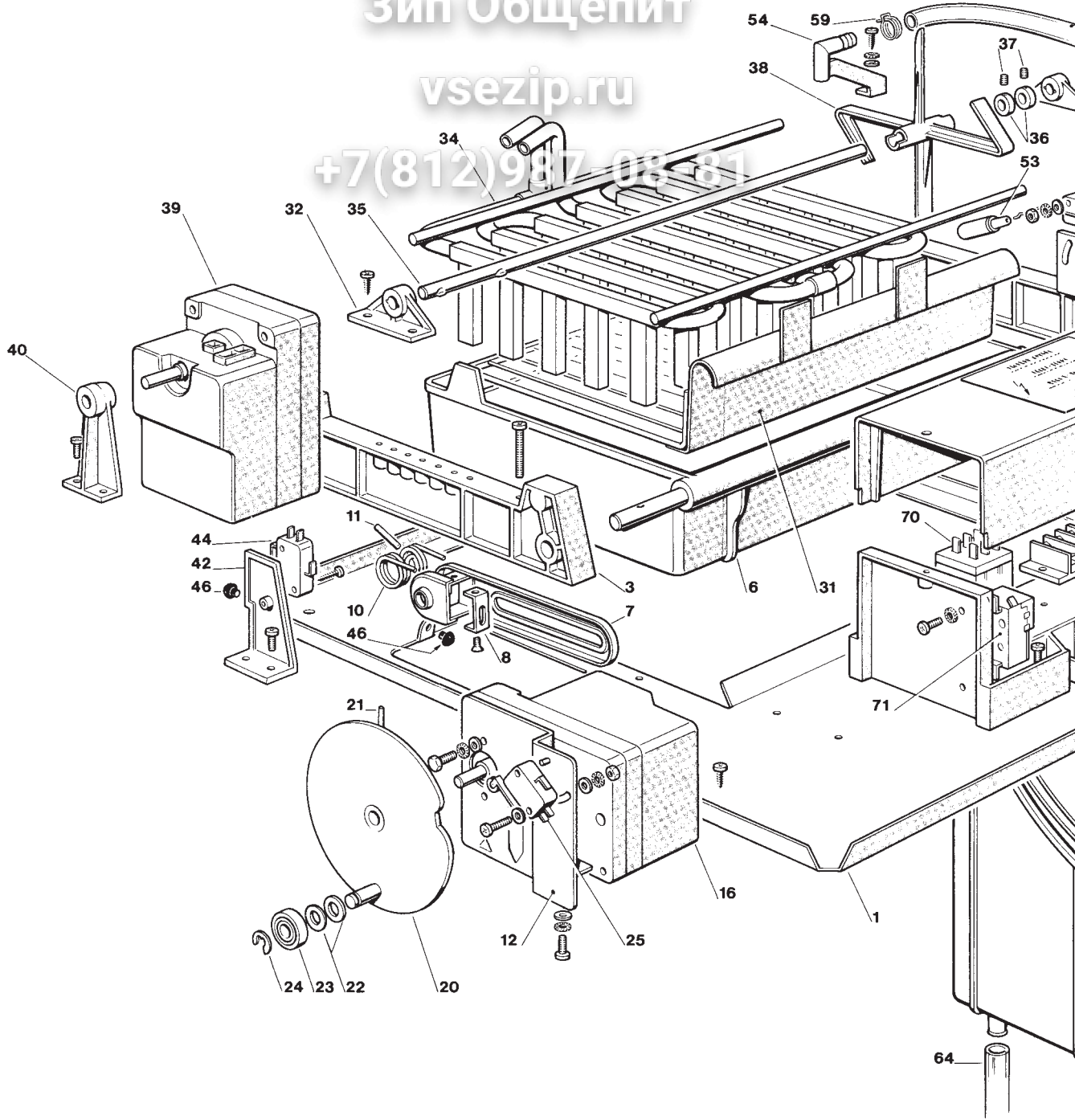
+7(812)987-08-81

Pos. Nr.	Codice Code	Descrizione	Description	Description	Quantità Q.ty Q.tè
1	81421165/0	ASSIEME CONTENITORE	ICE BIN	ENSEMBLE CUVE	1
2	81421165/0	ASSIEME CONTENITORE	ICE BIN	ENSEMBLE CUVE	1
3	81421165/0	ASSIEME CONTENITORE	ICE BIN	ENSEMBLE CUVE	1
4	25330566/Q	FIANCO SINISTRO	LEFT SIDE	PANNEAU GAUCHE	1
4A	25330570/0	FIANCO SINISTRO INOX	INOX LEFT SIDE	PANNEAU GAUCHE INOX	1
5	25330565/Q	FIANCO DESTRO	RIGHT SIDE	PANNEAU DROITE	1
5A	25330569/0	FIANCO DESTRO INOX	INOX RIGHT SIDE	PANNEAU DROITE INOX	1
7	12436400/0	PIASTRINA	PLATE	PLAQUETTE	21
8	25700019/Q	PANNELLO POSTERIORE	BACK PANEL	PANNEAU POSTERIEUR	1
8A	25700018/0	PANNELLO POSTERIORE INOX	INOX BACK PANEL	PANNEAU POSTERIEUR INOX	1
9	12436400/0	PIASTRINA	PLATE	PLAQUETTE	4
11	81420685/0	GRIGLIA POSTERIORE	BACK GRID	GRILLE ARRIERE	1
13	25610025/0	PRESA D'ARIA	AIR INTAKE	PRISE D'AIR	2
13A	25610089/0	PRESA D'ARIA INOX	INOX AIR INTAKE	PRISE D'AIR INOX	1
15	19356001/0	DISTANZIALE	SPACER	ENTRETOISE	8
16	25160813/0	COPERCHIO	COVER	COUVERCLE	1
16A	25160812/0	COPERCHIO INOX	INOX COVER	COUVERCLE INOX	1
17	25550066/0	PANNELLO ISOLANTE	INSULATOR PANEL	PANNEAU ISOLANT	1
19	25165494/0	CORNICE	FRAME	CORNICHE	1
21	41109519/0	MAGNETE	MAGNET	MAGNETO	2
22	25175527/0	CRUSCOTTO	FRONT PANEL	FRONT PANNEAU	1
22A	25175204/0	CRUSCOTTO INOX	INOX FRONTA PANEL	FRONT PANNEAU INOX	1
26	25740071/0	TARGHETTA	LABEL	ETIQUETTE	1
27	25610105/0	PRESA D'ARIA	AIR INTAKE	PRISE D'AIR	1
27A	25610105/0	PRESA D'ARIA INOX	INOX AIR INTAKE	PRISE D'AIR INOX	1
29	19120050/0	CERNIERA	HINGE	CHARNIERE	2
31	81420528/0	ASSIEME PORTA	COMPLETE DOOR	PORTE COMPLETE	1
31A	25600189/0	PORTA	DOOR	DOOR	1
36	25260470/0	DEFLETTORE	DOOR DEFLECTOR	DEFLECTEUR	1
37	25560151/0	BUSSOLA	BUSH	DOUILLE	1
39	25726141/0	SUPPORTO TERMOSTATO	SUPPORT	SUPPORT	1
40	25726140/0	SUPPORTO TERMOSTATO	SUPPORT	SUPPORT	1
41	19797018/0	TERMOSTATO	THERMOSTAT	THERMOSTAT	1
43	25790621/0	TUBO SCARICO	TUBE	TUYAU	1
44	19281332/0	FASCETTA	CLAMP	BANDE	2
45	19500100/0	PALETTA	ICE SCOOP	PELLE A GLACE	1
-	19810114/0	TUBO SCARICO MACCHINA	DRAIN WATER PIPE	TUYAU DE DECHARGE MACHINE	1
46	25030020/0	PERNO	SHAFT	ARBRE	1
47	25726279/0	SUPPORTO	SUPPORT	SUPPORT	2
50	19120434/0	CHIUSURA PUSH	PUSH LOCK	FERMETURE "PUSH"	1
51	33400053/0	INTERRUTTORE LUMINOSO VERDE	GREEN LIGHT SWITHC	INTERRUPTEUR LUMINEUX VERT	1
52	25570459/0	PIASTRA SUPP. COM. AIR VERSION	CONTROL SUP. PLATE FOR AIR COOLED VERS.	PLAQUE SUPPORT COMMANDES - VERS. AVEC COND. À AIR	1
52A	25570460/0	PIASTRA SUPP. COM. WATER VERS.	CONTROL SUP. PLATE FOR WATER COOLED VERS.	PLAQUE SUPPORT COMMANDES - VERS. AVEC COND. À EAU	1
53	25161138/0	COPERCHIO COMANDI	COVER BOX CONTROL	COUVERCLE	1
54	33470507/0	SPIA LUMINOSA ROSSA	RED LIGHT ALLARM	ALARME LUMINEUX ROUGE	1
55	19797028/0	TERMOSTATO DI SIC. VERS. ACQUA	SAFETY THERMOSTAT WATER VERS.	THERMOSTAT	1
56	25352504/0	FRONTALINO PER VERSIONE BLU	FRONTAL PANEL FOR BLUE VERS.	PETIT PANNEAU FRONTAL VERSION BLEUE	1
56A	25352505/0	FRONTALINO PER VERSIONE INOX	FRONTAL PANEL FOR STAINLESS STEEL VERS.	PETIT PANNEAU FRONTAL VERSION INOX	1

Зип Общепит

vsezip.ru

+7(812)987-08-81

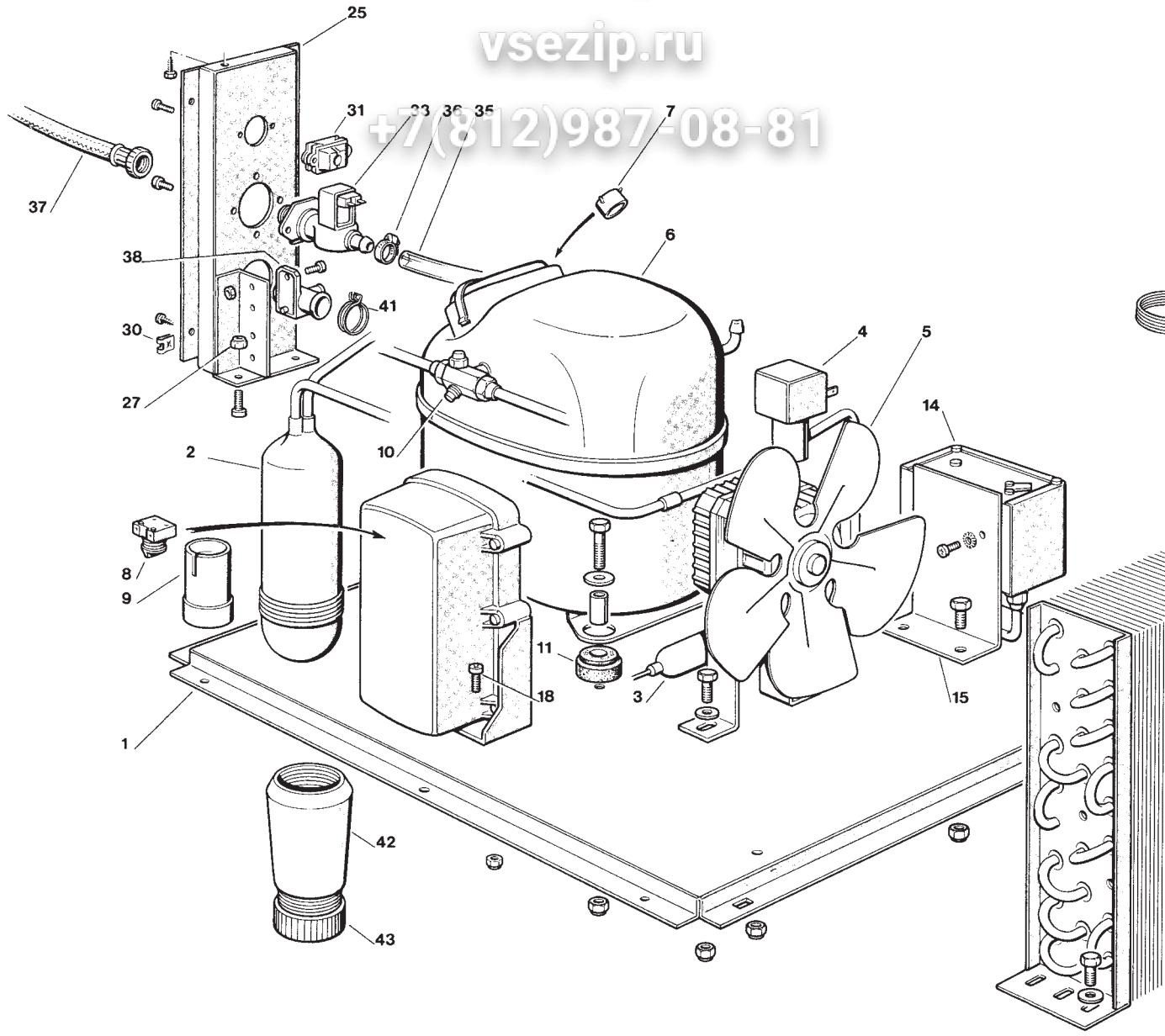


Pos. Nr.	Codice Code	Descrizione	Description	Description	Quantità Q.ty Q.tè
1	25745108/0	TELAIO EVAPORATORE	EVAPORATOR FRAME	SUPPORT DE L'EVAPORATEUR	1
2	12768410/0	VITE	SCREW	VIS	4
3	25726121/0	SUPPORTO EVAPORATORE	SUPPORT	SUPPORT	1
4	25726122/0	SUPPORTO EVAPORATORE	SUPPORT	SUPPORT	1
5-55	12727301/0	VITE	SCREW	VIS	4
6A	81423002/0	ASS. BACINELLA	PAN ASS'Y	ENSEMBLE CUVETTE	1
7	81403011/0	LEVA	LEVER	LEVIER	1
8	25325953/1	PIASTRINA	STOP PLATE	PLAQUETTE D'ARRÊT	1
9	12825292/0	VITE	SCREW	VIS	2
10	25474602/0	MOLLA	SPRING	RESSORT	1
11	25560256/0	PERNO	GUDGEON	PIVOT	1
12	25725429/0	SUPPORTO	SUPPORT	SUPPORT	1
16	19440065/0	MOTORIDUTTORE RIBALTAMENTO	HARVEST MOTOR	MOTOREDUCTEUR DE RENVERSEMENT	1
16A	81413041/0	ASSIEME MOTORIDUTTORE/ DISCO/SUPPORTO/MICRO	MOTOR/SUPPORT/CAM/ MICRO/ASS'Y	ENSEMBLE MOTOREDUCTEUR/ SUPPORT/CAME/MICRO	1
17	12726398/0	VITE	SCREW	VIS	3
18	12540730/0	ROSETTA	WASHER	RONDELLE	3
19	12521530/0	RONDELLA	WASHER	RONDELLE	3
20	81413043/0	DISCO	CAM	CAME	1
21	12639300/0	SPINA	PIN	GOUVILLE	1
31	81423063/0	CONVOGLIATORE	DEFLECTOR	CONVOYEUR	1
32	25726115/3	SUPPORTO ALBERO PALETTE	PADDLE SHAFT SUPPORT	SUPPORT ARBRE PALETTES	2
34	81422040/0	EVAPORATORE	EVAPORATOR	EVAPORATEUR	1
35	25030011/0	ALBERO PALETTE	PADDLE SHAFT	ARBRE PALETTES	1
36	25110914/0	BUSSOLA	BUSH	DOUILLE	2
38	25545520/2	PALETTA	PADDLE	PALETTE	11
39	19440059/0	MOTORIDUTTORE PALETTE	PADDLE MOTOR	MOTOREDUCTEUR DES PALETTES	1
40	25725433/0	SUPPORTO MOTORIDUTTORE	SUPPORT	SUPPORT	1
42	25525419/0	SUPPORTO	SUPPORT	SUPPORT	1
44	19410209/0	MICRO	MICRO	MICRO	1
46	19350302/0	GOMMINO	RUBBER	CAPSULE	2
47-53	81409179/0	ASSIEME MICRO GALLEGGIANTE	MICRO/FLOAT BALL ASS'Y	ENSEMBLEMICRO/FLOTTEUR	1
49	12521520/0	RONDELLA	WASHER	RONDELLE	1
51	12540720/0	ROSETTA	WASHER	RONDELLE	1
52	12290795/0	DADO	NUT	ECROU	1
54	25300000/0	RACCORDO ENTRATA ACQUA	WATER INLET TUBE	TUYAU ENTREE EAU	1
56	12540730/0	ROSETTA	WASHER	RONDELLE	1
57	12521530/0	RONDELLA	WASHER	RONDELLE	1
58	25790620/0	TUBO H ₂ O	TUBE	TUYAU	1
59	19280700/0	FASCETTĀ	CLAMP	BANDE	1
60	25474605/0	MOLLA	SPRING	RESSORT	1
61	25820080/0	VASCHETTA RECUPERO	PAN	BAC	1
63	81410690/0	GRIGLIA	GRID	GRILLE	1
64	25790604/0	TUBO SCARICO	DRAIN PIPE	TUYAU D'ECOULEMENT	1
65	25690230/0	BASE CABLAGGIO	ELECTRICAL BOX	BOITIER ELECTRIQUE	1
67	25160705/0	COPERCHIO	COVER	COUVERCLE	1
70	19620107/0	RELĒ	RELAY	RELAIS	1
71	19797018/0	TERMOSTATO	THERMOSTAT	THERMOSTAT	1
73	12540020/0	ROSETTA	WASHER	RONDELLE	2
74	33489251/0	MORSETTIERA	TERMINAL BOARD	BLOC DE RACCORDEMENT	1
76	12540020/0	ROSETTA	WASHER	RONDELLE	2
77	12290800/0	DADO	NUT	ECROU	2

Зип Ощепит

vsezip.ru

+7(812)987-08-81

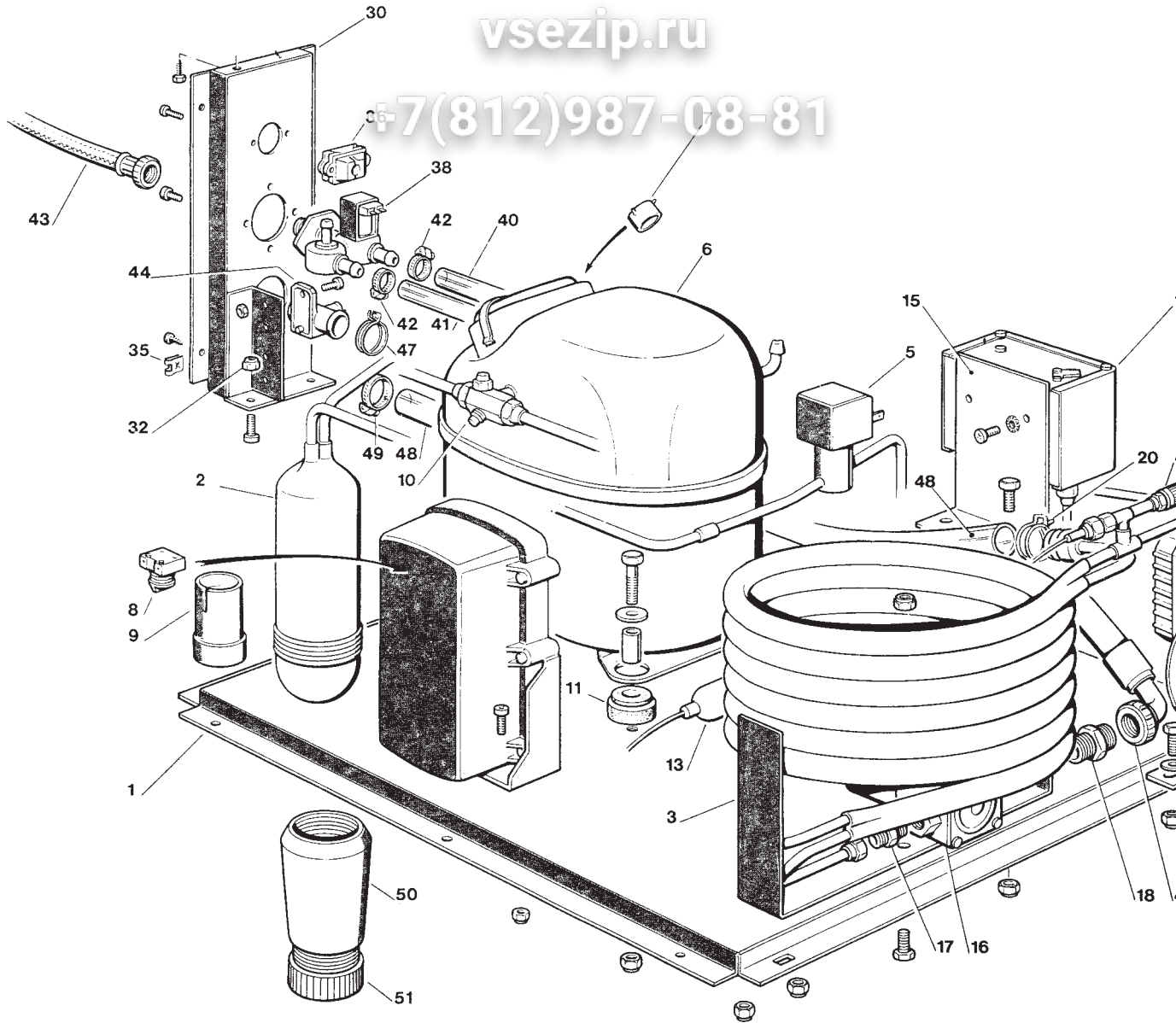


Pos. Nr.	Codice Code	Descrizione	Description	Description	Quantità Q.ty Q.tè
1	81420028/0	ASSIEME BASAMENTO	BASE	CHASSIS	1
2	81428265/0	ASSIEME SCAMBIATORE	EXCHANGER ASS'Y	ECHANGEUR	1
3	19301215/0	FILTRO	DRIER	DESHYDRATEUR	1
4	19863033/0	VALVOLA GAS	GAS VALVE	VANNE DE GAZ	1
5	18562500/0	MOTORE PER VENTILATORE	FAN MOTOR	VENTILATEUR	1
5A	18740024/0	VENTOLA PER VENTILATORE			1
6	19165570/0	COMPRESSORE U.H. CAJ 44 61 Y	COMPRESSOR CAJ 44 61 Y	COMPRESSEUR CAJ 44 61 Y	1
7	19560134/0	PROTETTORE	PROTECTION	PROTECTEUR	1
8	19621690/0	RELÈ	RELAY	RELAIS	1
9	19180414/0	CONDENSATORE DI SPUNTO	START CONDENSER	CONDENSATEUR DE DEMARRAGE	1
13	19177061/0	CONDENSATORE	CONDENSER	CONDENSATEUR	1
14	19550372/0	PRESSOSTATO (FINO LUGLIO 2000)	PRESSURE CONTROL (TILL JULY 2000)	PRESSOSTAT (JUSQU'À JULLET 2000)	1
14A	19797025/0	TERMOSTATO CONDENSATORE (DA LUGLIO 2000)	PRESSURE THERMOSTAT (FROM JULY 2000)	THERMOSTAT CONDENSEUR (DE JUILLET 2000)	
15	25725437/0	SUPPORTO	SUPPORT	SUPPORT	1
25	81418352/0	SUPPORTO	SUPPORT	SUPPORT	1
26	12788880/0	VITE	SCREW	VIS	2
27	12291600/0	DADO	NUT	ECROU	2
28	12728106/0	VITE	SCREW	VIS	2
29	12728106/0	VITE	SCREW	VIS	2
30	12436401/0	PIASTRINA	PLATE	PLAQUE	4
31	33320253/0	FISSACAVO	CLAMP	BANDE	1
32	12726404/0	VITE	SCREW	VIS	2
33	19865502/0	ELETTROVALVOLA H ₂ O	WATER SOLENOID VALVE	ELECTROVANNE EAU	1
34	12726404/0	VITE	SCREW	VIS	2
35	25790658/0	TUBO H ₂ O	TUBE	TUYAU	1
36	19280153/0	FASCETTA	CLAMP	BANDE	1
37	19810111/0	TUBO ALIMENTAZIONE	WATER INLET TUBE	TUYAU ENTREE EAU	1
37	19350158/0	GUARNIZIONE TUBO	GASKET	GARNITURE	2
38	25690806/0	SCARICO H ₂ O	WATER DRAIN PIPE	ECOULEMENT MACHINE	1
39	12788880/0	VITE	SCREW	VIS	1
40	12291600/0	DADO	NUT	ECROU	1
41	19281324/0	FASCETTA	CLAMP	BANDE	1
42	25460020/0	MANICOTTO	COUPLING	RALLONGE PIED	4
43	25570880/0	PIEDINO	LEVELLING FOOT	PIED	4

Зип Ощепит

vsezip.ru

+7(812)987-08-81



+7(812)987-08-81

Pos. Nr.	Codice Code	Descrizione	Description	Description	Quantità Q.ty Q.tè
1	81420028/8	BASAMENTO	BASE	CHASSIS	1
2	81428267/0	SCAMBIATORE	EXCHANGER ASS'Y	ECHANGER	1
3	81427203/0	CONDENSATORE	CONDENSER	CONDENSATEUR	1
4	19864900/0	VALVOLA DI CARICA	CHARGE VALVE	VANNE DE CHARGE	1
5	19863033/0	VALVOLA GAS	GAS VALVE	VANNE DE GAZ	1
6	19165570/0	COMPRESSORE U.H. TIPO CAJ 44 61 Y	COMPRESSOR U.H. TYPE S CAJ 44 61 Y	COMPRESSEUR U.H. TYPE S CAJ 44 61 Y	1
7	19560134/0	PROTETTORE	PROTECTION	PROTECTEUR	1
8	19621690/0	RELÉ	RELAY	RELAIS	1
9	19180436/0	CONDENSATORE DI SPUNTO	START CONDENSER	CONDENSATEUR DE DEMARRAGE	1
10	19864900/0	VALVOLA DI CARICA	CHARGE VALVE	VANNE DE CHARGE	1
13	19301215/0	FILTRO	DRIER	DESHYDRATEUR	1
14	19797023/0	TERMOSTATO DI SICUREZZA	THERMOSTAT CONTROL		1
15		SUPPORTO	SUPPORT	SUPPORT	1
16	19865611/0	VALVOLA PRESSOSTATICA ACQUA	AUTOMATIC WATER VALVE	VANNE A EAU PRESSOSTATIQUE	1
17	25631013/0	RACCORDO	PIPE FITTING	RACCORD	1
18	19320310/0	RACCORDO	PIPE FITTING	RACCORD	1
19	18562501/0	ELETTRVENTILATORE	FAN MOTOR	VENTILATEUR	1
20	19281324/0	FASCETTA	CLAMP	BANDE	2
30	81418353/0	SUPPORTO	SUPPORT	SUPPORT	1
35	12436401/0	PIASTRINA	PLATE	PLAQUE	4
36	33320523/0	FISSACAVO	CLAMP	BANDE	1
38	19865509/0	ELETTRVALVOLA ACQUA	WATER SOLENOID VALVE	ELECTRO VANNE EAU	1
40	25790620/0	TUBO ACQUA	TUBE	TUYAU	1
41	81428258/0	TUBO ACQUA	TUBE	TUYAU	1
42	19280153/0	FASCETTA	CLAMP	BANDE	2
43	19810111/0	TUBO ALIMENTAZIONE	WATER INLET TUBE	TUYAU ENTREE EAU	1
43A	19350158/0	GUARNIZIONE PER TUBO	GASKET FOR TUBE	GARNITURE POUR TUYAU	1
44	25690806/0	SCARICO	WATER DRAIN PIPE	ECOULEMENT MACHINE	2
46	12291600/0	DADO	NUT	ECROU	2
47	19281324/0	FASCETTA	CLAMP	BANDE	2
48	25781513/0	TUBO SCARICO	TUBE	TUYAU	1
49	19280912/0	FASCETTA	CLAMP	BANDE	2
50	25460020/0	MANICOTTO	COUPLING	RALLONGE PIED	4
51	25570880/0	PIEDINO	LEVELLING FOOT	PIED	4

Зип Общепит
vsezip.ru
+7(812)987-08-81

Castel MAC SpA

Via del Lavoro, 9 - C.P. 172
I - 31033 Castelfranco Veneto (TV) Italy
Tel. 0423 738452 - Fax 0423 722811
E-mail: service@castelmac.it
Web-site: www.castelmac.it

Cod. 71503296/0 - 12/2006

