



**CB 1565**

Зип Общепит

# LIST OF THE EXPLODED VIEWS

vsezip.ru

+7(812)987-08-81



*SHELL ASSY*

*COOLING SYSTEM*

*HYDRAULIC CIRCUIT*

*ELECTRIC PARTS*

Rev. 5 - 21/07/2005



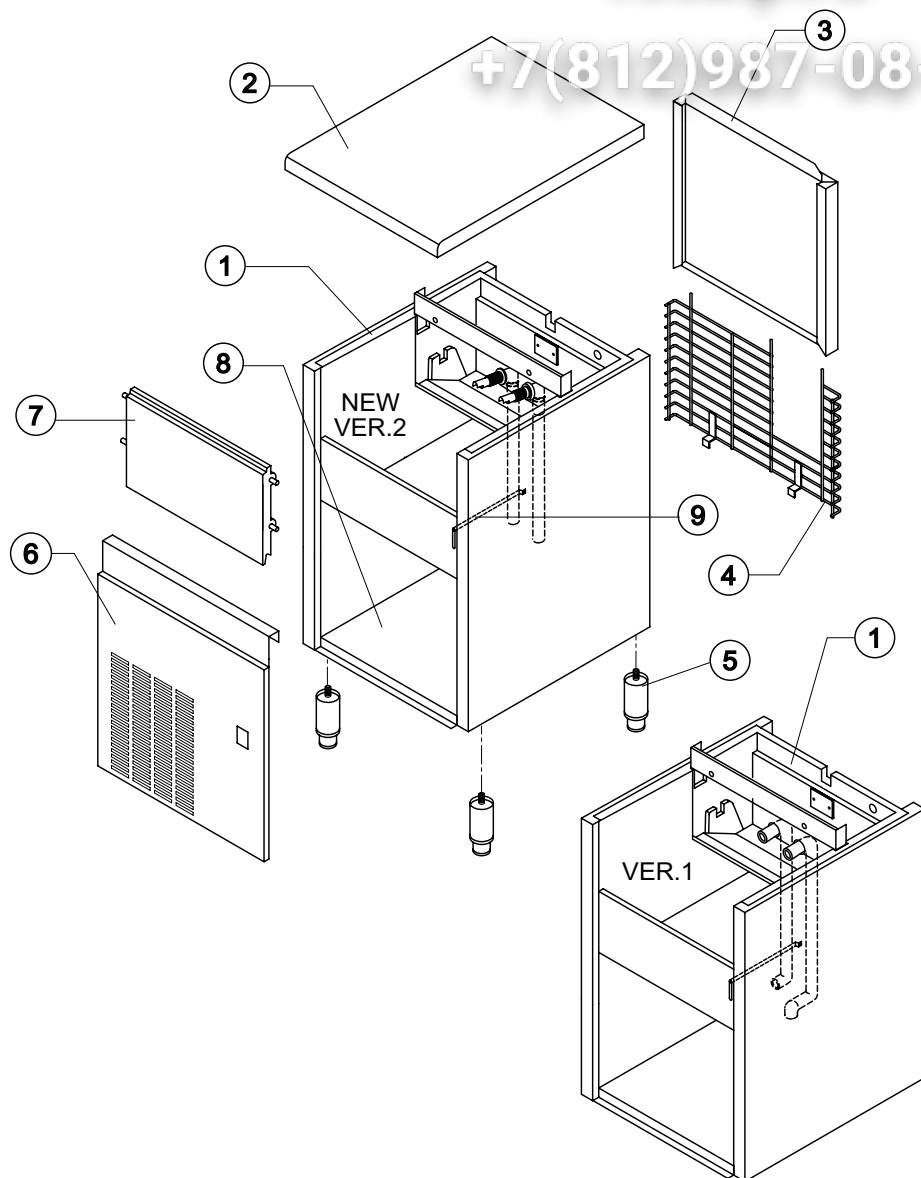
# CB 1565

## Зип Общепит

vsezip.ru

+7(812)987-08-81

# SHELL ASSY



Ref.	Spare Description	Code
1	Foamed Cabinet Assy	See Table
2	Top Assembly	C22688
3	Rear Panel Assembly	C21209
4	Rear Grid	D12021
5	Adjustable Stainless Steel Foot	Current Version
5	ABS Foot	Till s/n. 142534
6	Front Grid Panel	22548
7	Door Assy	C10275
8	Base Plate	Current Version
8	Base Plate	Till s/n. 142534
9	Bulbe-holder Pipe	20521

### Ref. 1 - Foamed Cabinet Assy

Code	Condensation	Note
C11086A	Air	Version 2
C11086W	Water	Version 2
C11086/E		Version 1

Rev. 5 - 21/07/2005



# CB 1565

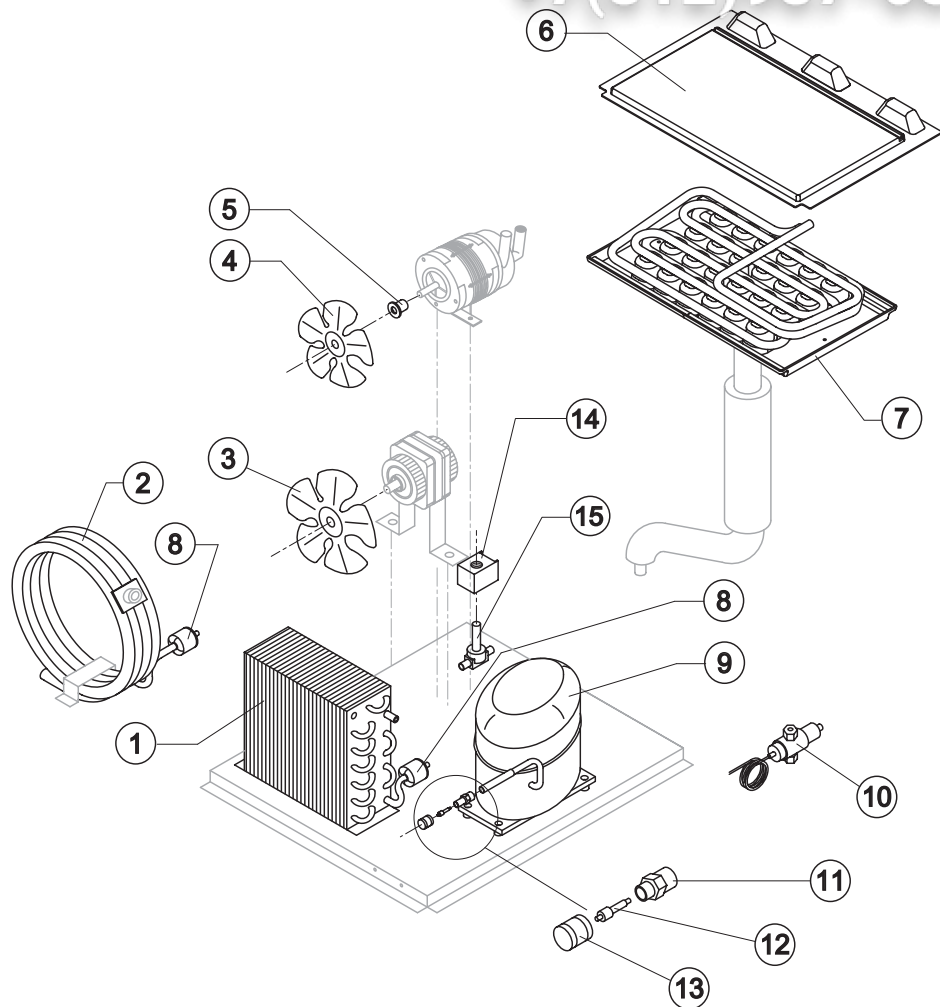
## Зип Общепит

vsezip.ru

+7(812)987-08-81

# COOLING SYSTEM

Rev. 5 - 21/07/2005



### Common Parts

Ref.	Spare Description	Code
4	Sucking Fan	10213
5	Fan Fixing Hub	10014
6	Evaporator Cover Panel	Current Version 10450
6	Evaporator Cover Panel	Till s/n. 224687 10058
7	Evaporator	See Table -
8	Solid Core Drier	14084
9	Compressor	See Table -
11	Vacuum-Charge Valve Body	14007
12	Vacuum-Charge Valve Device	14005
13	Vacuum-Charge Valve Plug	14006
14	Hot Gas Valve Coil	23091
15	Hot Gas Valve Body	20409

### Parts for Air-Cooled Version Only

Ref.	Spare Description	Code
1	Air Condenser	Current Version 20426
1	Air Condenser	Till s/n. 42925 20148
3	Sucking Fan	Current Version 20407
3	Sucking Fan	Till s/n. 42925 20153

### Parts for Water-Cooled Version Only

Ref.	Spare Description	Code
2	Water Condenser	14081
3	Sucking Fan	Till s/n. 219844 10213
10	Pressostatic Valve	20210

### Ref. 7 - Evaporator

Kind of Cube	Code
18 g. (Standard)	D10214
33 g.	D10092
13 g.	D10126
42 g.	D10477

### Ref. 9 - Compressor

Tension	Code
220/240V 50 Hz	23438
220/230V 60 Hz	23593



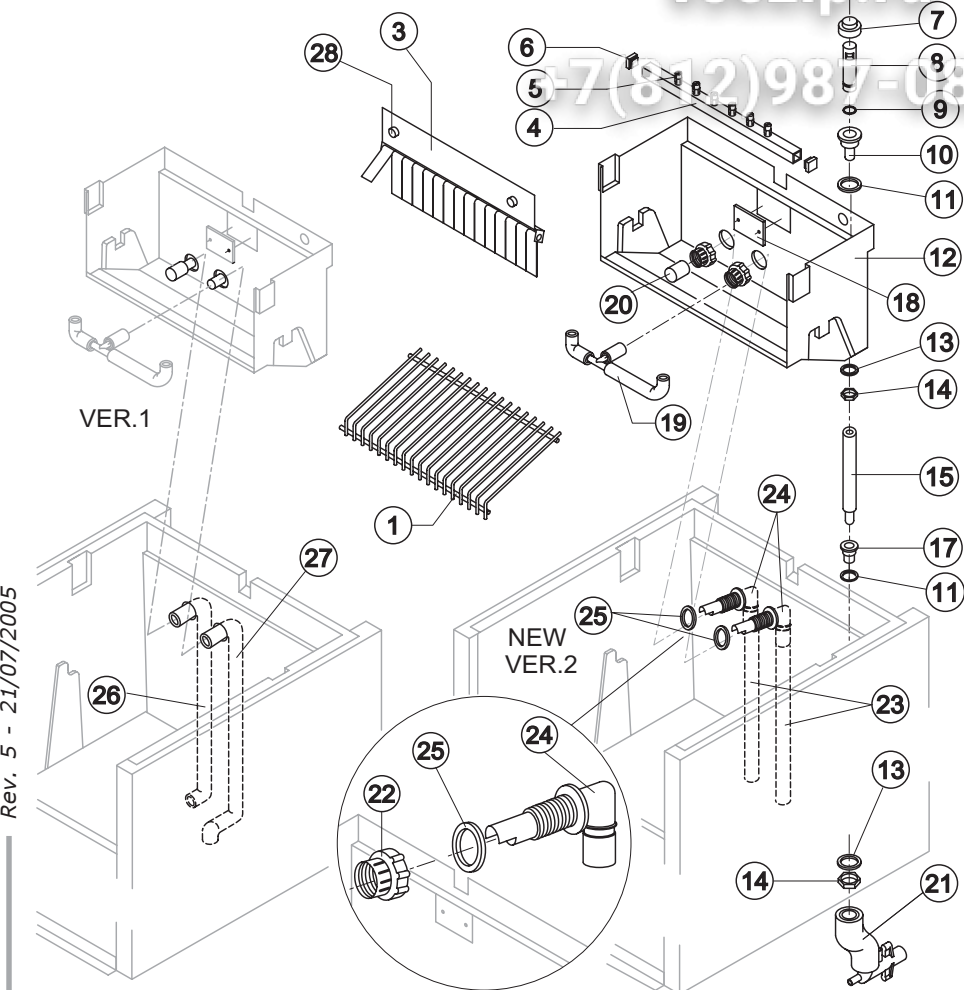
# CB 1565

# Зип Общепит

# HYDRAULIC CIRCUIT

vsezip.ru

7(812)987-08-81



Rev. 5 - 21/07/2005

### Common Parts

Ref.	Spare Description	Code
1	Ice Cube Slides	See Table
3	Flags Support Assy	C22134
4	Sprayers Bar Assembly	See Table
5	Sprayer	D20002
6	Sprayers Bar Plug	10012
7	Overflow Cap	10305
8	Overflow Pipe	10133
9	OR Gasket for Overflow Pipe	20233
10	Overflow Pipe Nipple	10471
11	Silicone Gasket	13006
12	Inner Basin	10055
13	Semirigid Polyethylene Gasket	13007
14	Bin Discharge Nut	10096
15	Overflow Pipe Assembly	13155
17	Water Outlet Nipple	10472
18	Slide Keep Plate	Till s/n. 233769
19	Sprayers Bar Pipe Connection Assy	C13036
20	Pump Suction Filter	20005
22	Fitting Locking Ring	Version 2
23	Pump Suction/Delivery Pipe	Version 2
24	Fitting of Pump Suction/Delivery Pipes	Version 2
25	Gasket for Pump Suction/Delivery Pipes	Version 2
26	Pump Suction Pipe	Version 1
27	Pump Delivery Pipe	Version 1
28	Fixing Screw	20009

### Ref. 1 - Ice Cube Slide

Kind of Cube	Code
18 g. (Standard)	D12022
33 g.	D12033
13 g.	D12040
42 g.	D12033

### Ref. 4 - Sprayers Bar Ass.

Kind of Cube	Code
18 g. (Standard)	C20144
33 g.	C20157
13 g.	C20200
42 g.	C20157

### Parts for Air Cooled Version Only

Ref.	Spare Description	Code
21	Discharges Manifold	C10006

### Parts for Water Cooled Version Only

Ref.	Spare Description	Code
21	Discharges Manifold	C26452



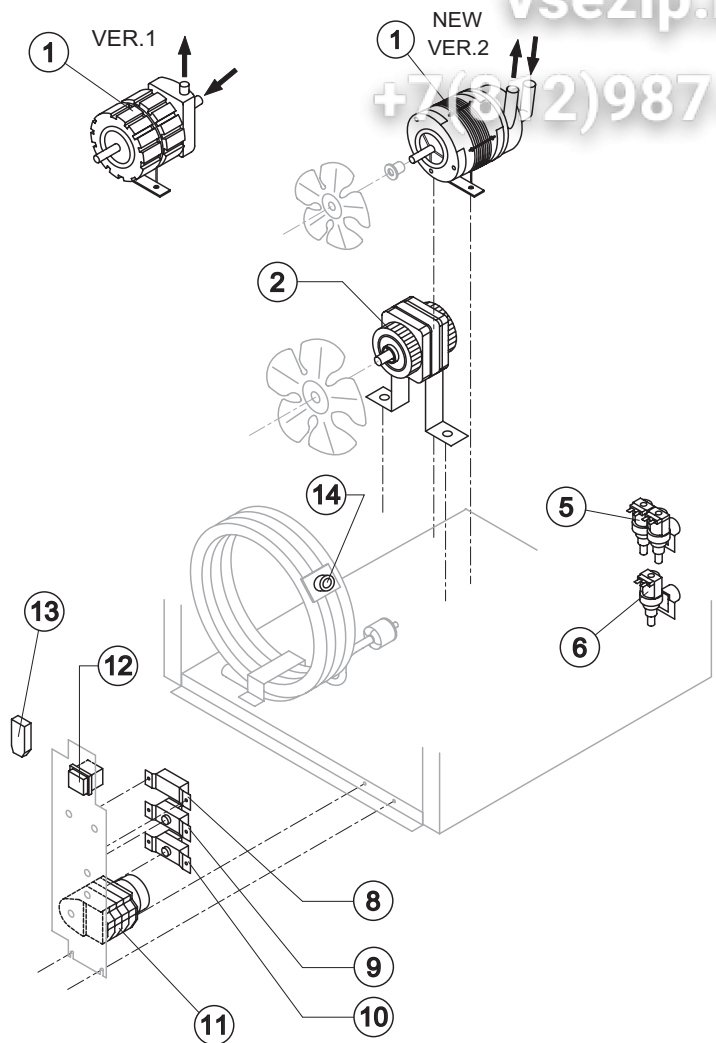
# CB 1565

## Зип Ощепит

vsezip.ru

+7 (812) 987-08-81

# ELECTRIC PARTS



### Common Parts

Ref.	Spare Description	Code
	Pump	See Table
7	Contactor	23594
9	Bin Thermostat	R23005
10	Evaporator Thermostat	R23591
11	Timer	See Table
12	Green Light Switch (On-Off)	23327

### Parts for Air-Cooled Version Only

Ref.	Spare Description	Code
2	Fan Motor	23121
6	1 Way- Water Inlet Valve	See Table
8	Condenser Pressure Switch	23175
13	Anti Radio Interference Filter	Only 220V 50 Hz C23459

### Parts for Water-Cooled Version Only

Ref.	Spare Description	Code
2	Fan Motor	Till s/n. 219844 23029
5	2 Ways- Water Inlet Valve	See Table
14	Safety Thermostat	C23114

### Ref. 1 - Pump

Tension	Version 1	Version 2
220/240V 50 Hz	23068	23462
220/230V 60 Hz	23068	23462

### Ref. 5 - 2 Ways- Water Inlet Valve

Tension	18g/13g Cube	33g Cube	42g Cube
220/240V 50 Hz	23138	23138	23138
220/230V 60 Hz	23138	23138	23138

### Ref. 6 - 1 Way- Water Inlet Valve

Tension	18g/13g Cube	33g Cube	42g Cube
220/240V 50 Hz	23220	23220	23787
220/230V 60 Hz	23220	23787	23787

### Ref. 11 - Timer

Tension	18 g Cube	33 g Cube	13 g Cube	42 g Cube
220/240V 50 Hz	23247	23248	23472	23780
220/230V 60 Hz	23222	23780	23247	23780

Rev. 5 - 21/07/2005