



Зип Ощепит

vsezip.ru

Spare Parts for

+7(812)987-08781 **Combi Ovens**



Spare parts suitable for

REPA GAS

2017

Find the complete and up-to-date range of products in our GEV Webshop



heating elements

Зип Общежит
heating elements for convection

heating elements for heated cabinets



GEV No.	419065	Ref. No.	1510002
description	heating element 1400W 230V heating circuits 1 L 375mm W 140mm connection length 30mm connection male faston 6.3mm tube \varnothing 6.3mm 2 hole fixing thread M10x1 dry heating element L1 45mm L2 75mm L3 255mm W1 45mm W2 50mm mounting distance 44mm		

immersion heating elements

3 hole flange \varnothing 47.5mm

GEV No.	418136	Ref. No.	1250007
description	heating element 4360W 240V mounting \varnothing 47.5mm heating circuits 3 L 310mm W 31mm H 35mm number of thermostat sleeves 1 thermostat sleeves \varnothing 7mm length thermostat sleeves 200mm thermostat sleeve clinging tube \varnothing 6.3mm hole distance 62mm hole \varnothing 8mm connection M4 3 hole flange immersion heater		

spare parts for 418136



GEV No.	510408	Ref. No.	—
O-ring EPDM thickness 5.34mm ID \varnothing 47mm Qty 1 pcs			

accessories for 418136



GEV No.	510408	Ref. No.	—
O-ring EPDM thickness 5.34mm ID \varnothing 47mm Qty 1 pcs			



GEV No.	510562	Ref. No.	—
O-ring silicone thickness 5.34mm ID \varnothing 47mm Qty 1 pcs			

with expansion flange 70 x 18mm



GEV No.	418137	Ref. No.	4200003
description	heating element 3000W 230V heating circuits 1 flange 70x18mm L 220mm W 65mm H mm connection male faston 6.3mm tube \varnothing 8.5mm immersion heater expansion flange connection length 34mm		



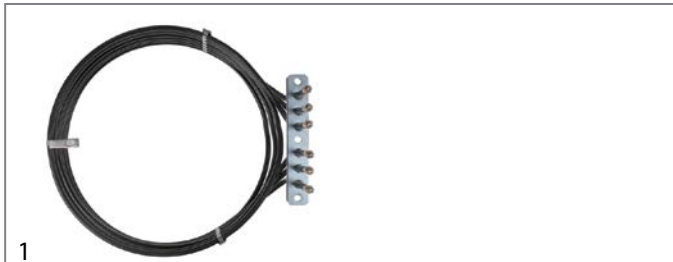
GEV No.	418102	Ref. No.	9160001
description	heating element 16400W 230V heating circuits 3 ID \varnothing 441mm ED \varnothing 458mm L 492mm H 143mm L1 34mm W1 104mm H1 128mm H2 115mm flange length 142mm flange width 25mm hole distance 63mm connection M6x1 tube \varnothing 8.5mm convection heating element hole \varnothing 6mm rectangular flange		

accessories for 418102

GEV No.	699165	Ref. No.	—
gasket L 142mm W 25mm D1 \varnothing 6.5mm D2 \varnothing 12mm hole distance 17mm 9 holes graphite thickness 2mm			



GEV No.	418134	Ref. No.	1230005
description	heating element 3300W 240V heating circuits 1 ID \varnothing 185mm ED \varnothing 200mm L 215mm H 30mm W1 60mm H1 5mm H2 25mm flange length 100mm flange width 22mm hole distance 85mm connection male faston 6.3mm connection length 22mm tube \varnothing 6.5mm convection heating element hole \varnothing 5mm rectangular flange		




GEV No.	418132	Ref. No.	1250016
description	heating element 7350W 230V heating circuits 3 ID \varnothing 250mm ED \varnothing 265mm L 277mm H 75mm L1 17mm W1 102mm H1 12mm H2 67mm flange length 143mm flange width 25mm hole distance 7mm connection M4 tube \varnothing 6.5mm convection heating element hole \varnothing 63mm rectangular flange		



Зип Общепит


vsezip.ru

+7(812)987-08-81




1

GEV No.	418753	Ref. No.	45200001
description	heating element 8000W 230V heating circuits 3 ID ϕ 287mm ED ϕ 300mm L 345mm H 90mm L1 39mm H1 20mm H2 67mm flange length 142mm flange width 25mm hole distance 12.7mm connection M4 connection length 67mm tube ϕ 6.5mm convection heating element hole ϕ 7mm rectangular flange		








1

GEV No.	419222	Ref. No.	92800004
description	heating element 27000/29000W 400/415V L 590mm W 545mm H 140mm heating circuits 3 cable lengthmm		



1

GEV No.	418135	Ref. No.	1230006	
description	heating element 920W 230V heating circuits 1 ID ϕ 200mm ED ϕ 215mm L 255mm H 40mm thread 1/4" connection male faston 6.3mm 2 hole fixing mounting distance 24mm tube ϕ 8.5mm convection heating element			
accessories for	418135			
	GEV No.	361182	Ref. No.	—
	nut thread 1/4" H 5mm nickel-plated brass WS 17 Qty 1 pcs			
	GEV No.	510417	Ref. No.	—
	flat gasket fibre ED ϕ 20mm ID ϕ 14mm thickness 2mm Qty 1 pcs			
	GEV No.	520228	Ref. No.	—
	tooth lock washer ID ϕ 15.3mm ED ϕ 24mm steel Qty 1 pcs for thread M14			
	GEV No.	550262	Ref. No.	—
	flat gasket copper ED ϕ 20mm ID ϕ 14mm thickness 2mm			




1

GEV No.	418139	Ref. No.	1240014
description	heating element 3500W 240V heating circuits 1 L 620mm W 120mm L1 33mm L2 587mm W2 90mm flange length 70mm flange width 22mm hole distance 56mm connection length 100mm connection M4 tube ϕ 8.5mm hole ϕ 6mm W1 30mm rectangular flange convection heating element windings 2		

accessories

hexagonal nuts




1

GEV No.	520230	Ref. No.	00112127 010106
description	nut thread M14x1.5 H 5mm WS 19 zinc-coated steel Qty 1 pcs		

energy regulators


EGO

1-circuit



1

GEV No.	380019	Ref. No.	1230018
description	energy regulator 240V 13A single-circuit turn direction right shaft ϕ 6x4.6mm shaft L 23mm mounting thread M4 power release 6-100% no. 50.57071.010		



1

GEV No.	419261	Ref. No.	92000041
description	heating element 9500/10400W 230/240V heating circuits 3 ID ϕ 320mm ED ϕ 337mm L 380mm H 148mm L1 40mm W1 105mm H1 20mm H2 120mm flange length 142mm flange width 25mm hole distance 18mm connection M6x1 connection length 85mm tube ϕ 8.5mm convection heating element flange combi-steamer		



thermostats

control and safety thermostats

EGO

control thermostats

55.10/19_series



1

GEV No.	390068	Ref. No.	1230017
----------------	--------	-----------------	---------

description thermostat t.max. 269°C temperature range 55-269°C 1-pole 1CO 16A probe ϕ 3.1mm probe L 219mm capillary pipe 1280mm capillary pipe isolated 1270mm gland nut shaft ϕ 6x4.6mm shaft L 23mm shaft position upper° rotation 318°



1

GEV No.	375002	Ref. No.	1270013
----------------	--------	-----------------	---------

description thermostat t.max. 320°C temperature range 55-320°C 1-pole 1NO 16A probe ϕ 3.1mm probe L 226mm capillary pipe 870mm capillary pipe isolated 850mm gland nut shaft L 23mm shaft position upper rotation 270°

55.13_series



1

GEV No.	375505	Ref. No.	32403007
----------------	--------	-----------------	----------

description thermostat t.max. 320°C temperature range 50-320°C 1-pole 1NO 16A probe ϕ 3mm probe L 160mm capillary pipe 870mm capillary pipe isolatedmm gland nut shaft ϕ 6x4.6mm shaft L 23mm shaft position upper rotation 270°

Зип Общелит

safety thermostats

55.10/19_series

vsezip.ru

+7(812)987-08-81



1

GEV No.	375250	Ref. No.	1440003
----------------	--------	-----------------	---------

description safety thermostat capillary pipe 870mm probe ϕ 6mm 1-pole probe L 129mm 16A capillary pipe isolatedmm gland nut switch-off temp. 130°C probe SS

spare parts for	375250
------------------------	--------



GEV No.	551083	Ref. No.	—
----------------	--------	-----------------	---

cap for safety thermostat thread M8x1

55.32_series



1

GEV No.	375649	Ref. No.	1250025
----------------	--------	-----------------	---------

description safety thermostat switch-off temp. 160°C 3-pole 20A probe ϕ 6mm probe L 87mm capillary pipe 890mm capillary pipe isolated 880mm gland nut probe SS

IMIT / TEMPOMATIC / ARATHERMO

control thermostats



1

GEV No.	375847	Ref. No.	25304008
----------------	--------	-----------------	----------

description thermostat t.max. 90°C temperature range 0-90°C 1-pole 1CO 15A probe ϕ 6.5mm probe L 100mm capillary pipe 1500mm capillary pipe isolatedmm gland nut shaft ϕ 6x4.6mm shaft L 18mm shaft position +135° rotation 270° 250V




Зип Общепит

vsezip.ru


+7(812)987-08-81

safety thermostats



1

GEV No.	375941	Ref. No.	57103016
description	safety thermostat switch-off temp. 238°C 1-pole 1NC 16A probe ø 5mm probe L 100mm capillary pipe 1050mm capillary pipe isolated-mm gland nut 250V		




1

GEV No.	345131	Ref. No.	1510009
description	element holder mounting measurements 28.5x28.5mm grey single element holder		


CAEM

control thermostats



1

GEV No.	375645	Ref. No.	4300006
description	thermostat t.max. 120°C temperature range 30-120°C 1-pole 1CO 16A probe ø 6mm probe L 110mm capillary pipe 1600mm capillary pipe isolated 1550mm gland nut shaft ø 6x4.6mm shaft L 22mm shaft position upper rotation 270° probe material copper 250V		



1


GEV No.	345606	Ref. No.	4300005
description	momentary switch unit 2CO 250V 16A connection male faston 6.3mm		

switches and momentary switches

microswitches


pin-plunger actuated

M10




1

GEV No.	347216	Ref. No.	1230024
description	microswitch with plunger thread M10x0.75 thread L 14mm 250V 10A 1CO connection male faston 6.3mm stroke 7.5mm mounting distance 22mm L 28mm ambient temperature max. 125°C type NR6K5 actuating force: 260g		




1

GEV No.	346211	Ref. No.	1510008
description	push button ø 23mm grey with lens		



1


GEV No.	345539	Ref. No.	4470003
description	push button size 17x13mm grey		



1

GEV No.	345605	Ref. No.	1250039
description	switch 2CO 250V 16A connection male faston 6.3mm		

system switches (ROLD)

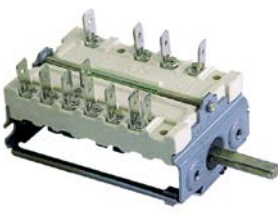


1

GEV No.	345537	Ref. No.	4470004
description	element holder mounting measurements 20.6x16.4mm grey arched for push buttons 13x17mm		

cam switches

4 operating positions



1

GEV No.	300010	Ref. No.	1230016
description	cam switch 4 operating positions 2NO/2CO sequence 0-1-2-3 16A shaft ø 6x4.6mm shaft L 23mm connection male faston 6.3mm ceramic		



electric components

Зип Общепит

vsezip.ru


+7(812)987-08-81

operation switches



1

GEV No.	300153	Ref. No.	1270012
description	cam switch 3 operating positions operation switch 16A sequence 0-1-2 shaft ø 6x4.6mm shaft L 23mm connection male faston 6.3mm plastic ambient temperature max. 240°C		


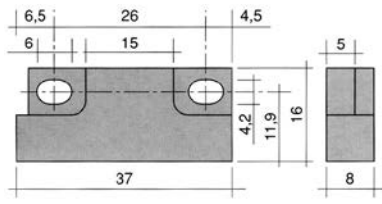


1


GEV No.	300272	Ref. No.	90100015
description	encoder shaft ø 6x4.6mm for combi-steamer		

magnetic switches

37x16mm

1


GEV No.	345600	Ref. No.	92000018	
description	magnetic switch L 37mm W 16mm 1NO 250V 0.2A P max. 50W connection cable cable length 960mm			
accessories for	345600			
	GEV No.	519049	Ref. No.	—
	magnet ømm L 63mm H 10.7mm W 18.8mm hole distance 52mm M2 hole ø 2mm			

indicator lights

indicator lights (complete)


ø10mm

with plug-in socket




1

GEV No.	359139	Ref. No.	1250050
description	indicator light ø 10mm green 230V connection male faston 6.3mm Qty 1 pcs		



1

GEV No.	359138	Ref. No.	1260025
description	indicator light ø 10mm red 230V connection male faston 6.3mm Qty 1 pcs		




1

GEV No.	359140	Ref. No.	1230023
description	indicator light ø 10mm yellow 230V connection male faston 6.3mm Qty 1 pcs		

accessories

magnets




1

GEV No.	691178	Ref. No.	92000021
description	magnet ø 22mm Lmm H 7mm Wmm ED ø 22mm M5		

screw-on/push-on fit


light bulbs

for ovens



1


GEV No.	359610	Ref. No.	1230009
description	light bulb t.max. 300°C socket E14 15W 230V ø 22mm L 47mm lens L 20mm for oven lamp type Philips		



1

GEV No.	357153	Ref. No.	1250021
description	light bulb t.max. 300°C socket E14 25W 230V ø 25mm L 55mm lens L 30mm for oven type		

encoders and potentiometers



1

GEV No.	402322	Ref. No.	90200019
description	encoder		



Зип-Общепит

vsezip.ru

+7(812)987-08-81

halogen lamp

for socket G4 / G6.35 / G9



GEV No.	359599	Ref. No.	4220007
description	halogen lamp socket G4 12V 20W temp.-resist. 500°C		

oven lamps

universal oven lamps

mounting diameter 35.5mm



GEV No.	359701	Ref. No.	1230010
description	lamp socket socket E14 220-230V mounting ø 35.5mm connection male faston 6.3mm 15W		

accessories for 359701



GEV No.	359705	Ref. No.	—
description	oven lamp glass thr.ø 33.5mm ø 52mm hard glas temp.-resist. 350°C		



GEV No.	359709	Ref. No.	—
description	oven lamp glass thr.ø 33.5mm ø 42mm hard glas temp.-resist. 350°C		



GEV No.	359721	Ref. No.	1230008
description	gasket silicone ED ø 48mm ID ø 39.5mm thickness 5mm Qty 1 pcs		



GEV No.	359942	Ref. No.	—
description	oven lamp glass thr.ø 33.5mm ø 41mm hard glas temp.-resist. 350°C		



GEV No.	359661	Ref. No.	1230007
description	oven lamp glass thread 32.1 ø 58mm hard glas temp.-resist. 350°C		

accessories for 359661



GEV No.	359700	Ref. No.	—
description	gasket for pizza oven fibre glass ID ø 32.5mm ED ø 55mm thickness 5mm		



GEV No.	359721	Ref. No.	1230008
description	gasket silicone ED ø 48mm ID ø 39.5mm thickness 5mm Qty 1 pcs		



GEV No.	359297	Ref. No.	44100006
description	frame L 95mm W 81mm mounting distance 68/83mm thickness 6mm		

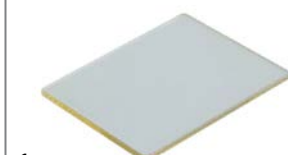
accessories for 359297



GEV No.	359299	Ref. No.	44100005
description	gasket L 91mm W 77mm hole ø 3mm for oven lamp		



GEV No.	359299	Ref. No.	44100005
description	gasket L 91mm W 77mm hole ø 3mm for oven lamp		



GEV No.	359296	Ref. No.	44100004
description	lamp glass L 74mm W 58mm thickness 3mm		

55x100mm



GEV No.	359698	Ref. No.	1250065
description	lamp socket L 100mm W 55mm socket E14 connection male faston 6.3mm		

spare parts for 359698



GEV No.	358119	Ref. No.	—
description	frame L 118mm W 72mm mounting distance 143mm for bulb socket		



GEV No.	358122	Ref. No.	—
description	gasket L 112mm W 68mm silicone thickness 3mm for bulb socket		



GEV No.	358123	Ref. No.	—
description	lamp glass L 112mm W 68mm		



GEV No.	359612	Ref. No.	—
description	light bulb t.max. 300°C socket E14 25W 230V ø 25mm L 56mm lens L 30mm for oven lamp type Philips		








GEV No.	359714	Ref. No.	1250020
description	gasket silicone L 140mm W 75mm for bulb socket		

Table continues overleaf

electric components







spare parts for 359698	
	GEV No. 359715 Ref. No. 1250019 lamp glass L 110mm W 65mm thickness 5mm
	GEV No. 359716 Ref. No. 1250018 frame for bulb socket
accessories for 359698	
	GEV No. 359612 Ref. No. — light bulb t.max. 300°C socket E14 25W 230V ø 25mm L 56mm lens L 30mm for oven lamp type Philips
	GEV No. 359938 Ref. No. — borosilicate glass L 115mm W 69mm

			
1			
GEV No.	359716	Ref. No.	1250018
description	frame for bulb socket		

			
1			
GEV No.	359714	Ref. No.	1250020
description	gasket silicone L 140mm W 75mm for bulb socket		







			
1			
GEV No.	359715	Ref. No.	1250019
description	lamp glass L 110mm W 65mm thickness 5mm		

			
1			
GEV No.	359698	Ref. No.	1250065
description	lamp socket L 100mm W 55mm socket E14 connection male faston 6.3mm		
spare parts for 359698			
	GEV No. 358119 Ref. No. — frame L 118mm W 72mm mounting distance 143mm for bulb socket		
	GEV No. 358122 Ref. No. — gasket L 112mm W 68mm silicone thickness 3mm for bulb socket		
	GEV No. 358123 Ref. No. — lamp glass L 112mm W 68mm		

Зип-Общепит


vsezip.ru


+7(812)987-08-81

spare parts for 359698	
	GEV No. 359612 Ref. No. — light bulb t.max. 300°C socket E14 25W 230V ø 25mm L 56mm lens L 30mm for oven lamp type Philips
	GEV No. 359714 Ref. No. 1250020 gasket silicone L 140mm W 75mm for bulb socket
	GEV No. 359715 Ref. No. 1250019 lamp glass L 110mm W 65mm thickness 5mm
	GEV No. 359716 Ref. No. 1250018 frame for bulb socket
accessories for 359698	
	GEV No. 359612 Ref. No. — light bulb t.max. 300°C socket E14 25W 230V ø 25mm L 56mm lens L 30mm for oven lamp type Philips
	GEV No. 359938 Ref. No. — borosilicate glass L 115mm W 69mm

lamps


light bulbs

			
1			
GEV No.	359610	Ref. No.	1230009
description	light bulb t.max. 300°C socket E14 15W 230V ø 22mm L 47mm lens L 20mm for oven lamp type Philips		

			
1			
GEV No.	357153	Ref. No.	1250021
description	light bulb t.max. 300°C socket E14 25W 230V ø 25mm L 55mm lens L 30mm for oven type		

halogen lamps

for socket G4 / G6.35 / G9

			
1			
GEV No.	359599	Ref. No.	42200007
description	halogen lamp socket G4 12V 20W temp.-resist. 500°C		



Зип-Общепит

vsezip.ru

+7(812)987-08-81

sockets

G4 / G5,3 / G6,35



1

GEV No.	359646	Ref. No.	42200008
description	lamp socket socket G4/G5.3/G6.35 24V ø 17mm H 15mm connection cable 130mm mounting distance 26mm for halogen lamp holder length 31mm cable length 130mm		

timers

programme timers



1

GEV No.	360645	Ref. No.	92000036
description	timer CDC 11901F engines 1 chambers 1 operation time 20S 230V 50/60Hz shaft ø 6x4mm shaft L 25mm manuf. no. 11901F1CEE000.0000		

mechanical timers



1

GEV No.	350008	Ref. No.	1250037
description	timer M2 with bell 2-pole operation time 120min impulse mechanical 2NO at 250V 16A permanent position yes shaft ø 6x4.6mm shaft 6x4.6mm shaft L 24mm mounting distance 28mm connection lateral		

alarm devices

buzzers



1

GEV No.	350050	Ref. No.	1230015
description	buzzer 230VAC connection male faston 6.3mm screw mounting thread M4 60dB		

contactors

LOVATO

power contactors



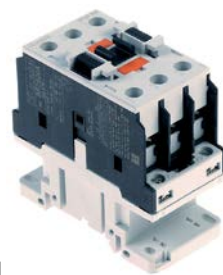
1

GEV No.	380704	Ref. No.	92000046
description	power contactor resistive load 20A 230VAC (AC3/400V) 9A/4kW main contacts 3NO auxiliary contacts 1NC connection screw connection type 11BG0901A230		



1

GEV No.	380083	Ref. No.	16300011 92000044
description	power contactor resistive load 25A 230VAC (AC3/400V) 9A/4.2kW main contacts 3NO auxiliary contacts 1NC connection screw connection type BF0901A230		



1

GEV No.	380722	Ref. No.	92200003
description	power contactor resistive load 56A 230VAC (AC3/400V) 32A/16kW main contacts 3NO auxiliary contacts connection screw connection type BF3200A230		

Зип-Общепит
TELEMECANIQUE (Schneider Electric)

SIEMENS

power contactors



1

GEV No.	380645	Ref. No.	1260010
description	power contactor 230VAC with auxiliary contacts		



1

GEV No.	380389	Ref. No.	1430006
description	power contactor resistive load 22A 230VAC (AC3/400V) 9A/4kW main contacts 3NO auxiliary contacts 1NO connection screw connection type 3RT10-16-1AP01		

overload switches



1

GEV No.	381002	Ref. No.	1420005
description	overload switch setting range 1.8-2.5A		

power contactors



1

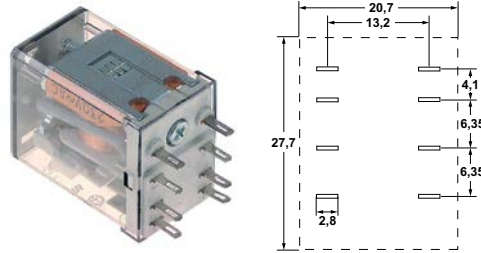
GEV No.	380820	Ref. No.	1130014
description	power contactor resistive load 25A 230VAC (AC3/400V) 9A/4kW main contacts 3NO auxiliary contacts 1NO/1NC connection screw connection type LC1D0900M7		

relays

power relays

with male contacts

female contact 2.0mm



1

GEV No.	380129	Ref. No.	4120002	
description	power relays 24VAC 12A 2CO connection F2 plug-in connection 94.92.3 250V connection 2mm			
accessories for	380129			
	GEV No.	380341	Ref. No.	—
	relay socket 4-pole contacts 12 300V voltage AC 6A Italiana Relè manuf. no. ZMD4			
	GEV No.	380378	Ref. No.	—
	relay socket 2-pole 55/85 dimensions 70.5x30x27mm 250V voltage AC 10A FINDER manuf. no. 94.72			
	GEV No.	380384	Ref. No.	—
	relay socket 2-pole contacts male faston 2.8mm 250V voltage AC 10A W 23mm for			
	GEV No.	380399	Ref. No.	—
	relay socket 4-pole dimensions 76.2x27x86.1mm 250V voltage AC 1A FINDER manuf. no. 94.94.3			



level relays

GICAR



1


GEV No.	401224	Ref. No.	43700002
description	level relay 230V connection F6.3 type RL30/3ES/F/G		

Зип Общепит

vsezip.ru

+7(812)987-08-81





GEV No.	380640	Ref. No.	41100006
description	time relay TECHNOLOGIC RTR12DS60S time range 60s 230VAC 5A 1CO connection plug-in connection round 8-pole		
accessories for	380640		
	GEV No.	380638	Ref. No. —
	relay socket 8-pole dimensions 51x41x23mm 250V 10A FINDER manuf. no. 90.26		

time relays

time relays



1

GEV No.	380329	Ref. No.	43000002
description	time relay FIBER 85.02.8.240 time range 0.05s - 100h 230-240VAC 10A mounting measurements 20.6x27.7mm 2CO connection 2.0		
accessories for	380329		
	GEV No.	380378	Ref. No. —
	relay socket 2-pole 55/85 dimensions 70.5x30x27mm 250V voltage AC 10A FINDER manuf. no. 94.72		
	GEV No.	380803	Ref. No. —
	relay socket 2-pole dimensions 76.2x27x86.1mm 250V voltage AC 10A FINDER manuf. no. 94.92.3		

transformers

open transformers

with clamp terminal



1

GEV No.	403905	Ref. No.	92000016
description	transformer primary 230V/50-60Hz secondary 12V 50VA connection screw connection type T1ULF		

with plug connection




1

GEV No.	400956	Ref. No.	92000045
description	transformer primary 230VAC secondary 12VAC 20VA connection male faston 6.3mm 50/60Hz type T602012/E temperature restriction 150°C ambient temperature max. 80°C		



1

GEV No.	380639	Ref. No.	41100005
description	time relay TECHNOLOGIC RTR12DS06S time range 6s 230VAC 5A mounting measurements 34x34mm 1CO connection plug-in connection round 8-pole		
accessories for	380639		
	GEV No.	380638	Ref. No. —
	relay socket 8-pole dimensions 51x41x23mm 250V 10A FINDER manuf. no. 90.26		

1 electric components



electronic controllers

EVCO - EVERY CONTROL

universal controllers

built-in version



1	GEV No.	378131	Ref. No.	1230020
	description	electronic controller EVERY CONTROL EVK411M mounting measurements 71x29mm 12V voltage AC/DC NTC/PTC/Pt100/Pt1000 relay outputs 1 CO-16A(8) NTC/PTC/Pt100/Pt1000/TC(J,K)/mV/mA yes protection IP65 dependent on probe°C display 3½ digits		
	accessories for	378131		
	GEV No.	379050	Ref. No.	—
	description	temperature probe Pt100 cable Vetrotex probe -200 up to +600°C cable -50 up to +350°C probe ø6x100mm cable length 2.7m without screw connection 3-wire		
	GEV No.	379160	Ref. No.	—
	description	temperature probe NTC 10kOhm cable thermoplastic probe -40 up to +110°C cable -40 up to +110°C probe ø6x14mm cable length 1.5m without screw connection 2-wire		
	GEV No.	379781	Ref. No.	—
	description	temperature probe PTC 1kOhm cable thermoplastic probe -50 up to +150°C cable -40 up to +110°C probe ø6x14mm cable length 1.5m without screw connection 2-wire		
	GEV No.	379944	Ref. No.	—
	description	temperature probe Pt1000 cable Vetrotex probe -70 up to +500°C cable -50 up to +350°C connection 2-wire thread probe ø6x180mm cable length 1.7m		

probes

universal probes

temperature probes



1	GEV No.	379052	Ref. No.	44300002
	description	temperature probe PTC 1kOhm cable silicone probe -50 up to +150°C cable -50 up to +180°C probe ø6x40mm cable length 1.5m without screw connection 2-wire		

producer-specific probes

probes



1	GEV No.	402154	Ref. No.	1460011
	description	temperature probe Pt100 cable silicone probe -100 up to 450°C cable -50 up to +180°C connection 3-wire thread 1/8" probe ø6x35mm cable length 1.5m		

Зип Общепит



1	GEV No.	379331	Ref. No.	92000004
	description	temperature probe Pt1000 cable PTFE probe -70 up to +500°C cable -40 up to +250°C connection 2-wire thread M10x1 probe ø3x60mm cable length 0.7m		

core probes



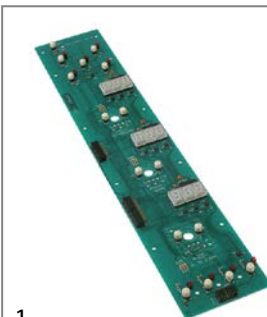
1	GEV No.	379945	Ref. No.	4270004
	description	core temperature probe Pt100 cable PTFE probe -40 up to +250°C cable -40 up to +250°C connection plug probe ø3.5x100mm thread cable length 0.5m handle ø 10mm handle length 80mm		



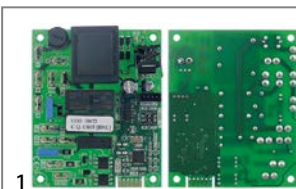
1	GEV No.	379946	Ref. No.	011915 4270001
	description	core temperature probe Pt100 cable PTFE probe -40 up to +250°C cable -40 up to +250°C connection plug probe ø3.5x100mm thread cable length 0.7m handle ø 10mm handle length 80mm		

electronics

PCBs



1	GEV No.	401245	Ref. No.	1270005
	description	keypad PCB		




1	GEV No.	403473	Ref. No.	005883 49200017
	description	PCB combi-steamer LCM06/M100 L 95mm W 79mm H 43mm Fan Reversal Card		






Зип Общепит



vsezip.ru

+7(812)987-08-81

			
1			
GEV No.	404028	Ref. No.	92100004
description	PCB for combi-steamer ANGELO PO L 140mm W 100mm		



			
1			
GEV No.	371266	Ref. No.	008887 1250009
description	reducer flow rate 0.2l/min red		


			
1			
GEV No.	401566	Ref. No.	42200006
description	power PCB without EPROM type CQB 324(02)		
accessories for	401566		
	GEV No.	403062	Ref. No.
			—
		EPROM type FOCABO P5	
	GEV No.	403201	Ref. No.
			—
		EPROM type FOCABO 59	


solenoid valves with reducers			
4-fold			
			
1			
GEV No.	374026	Ref. No.	1450003
description	solenoid valve 4-fold straight 230VAC inlet 3/4" outlet 11.5mm duty cycle 100% RPE plastic pressure range 0.2-10bar		
spare parts for	374026		
	GEV No.	371015	Ref. No.
			—
		solenoid coil RPE 230VAC 8.4VA 50/60Hz seat ø 9mm connection male faston 6.3mm	


solenoid valves

solenoid valves (water)

ELBI			
straight			
			
1			
GEV No.	373017	Ref. No.	1230013
description	solenoid valve single straight 230VAC inlet 3/4" outlet 11.5mm DN10 ELBI		
spare parts for	373017		
	GEV No.	370467	Ref. No.
			—
		solenoid valve filter suitable for ELBI	

TP			
solenoid valves with reducers			
			
1			
GEV No.	370648	Ref. No.	92000030 92000031
description	solenoid valve double straight 220-240VAC inlet 3/4" input 10l/min DN10 TP outlet 11.5mm output A 3.4l/min flow regulating valve outlet A green		

RPE			
reducers			
outlet side			
			
1			
GEV No.	371269	Ref. No.	009006 1250022
description	reducer flow rate 0.07-0.14l/min brown		

			
1			
GEV No.	370628	Ref. No.	1240007
description	solenoid valve double straight 230VAC inlet 3/4" input 16l/min DN10 TP plastic outlet 11.5mm		

electric components




Зип.Общепит

vsezip.ru
import



+7(812)987-08-81

ball valves electric


			
1			
GEV No.	401233	Ref. No.	43000004
description	ball valve inlet 1/2" IT outlet 1/2" IT 230V 50/60Hz mode of operation electric W 60mm H 99mm cable 4-pole 2.5W 4-pole duty cycle 50%		


pressure switches


for combi-steamers

			
1			
GEV No.	541806	Ref. No.	92000033
description	pressure control ø 38mm pressure range 0.2-3.0bar connection 1/8" 250V 10A GP600 pressure connection 1/8"		
accessories for	541806		
		GEV No.	541814
		Ref. No.	—
	protection cap for pressure switch EPDM XP600		

electrodes

			
1			
GEV No.	401161	Ref. No.	43000007
description	level electrode 1/4" total length 210mm probe L 184mm insulated probe length 26mm connection male faston 6.3mm stainless steel ø 2.5mm		

			
1			
GEV No.	401225	Ref. No.	1250012
description	level electrode M12 ET - 1/8" ET total length 124/127/139mm probe L 91/95/104mm insulated probe length 42mm set 3-piece connection male faston 6.3mm ø 2.5mm		

			
1			
GEV No.	401226	Ref. No.	1260005
description	level electrode M12x1 total length 150/160/171mm probe L 117/127/138mm insulated probe length 20mm set 3-piece connection male faston 6.3mm ø 2.5mm		

axial fans


			
1			
GEV No.	601080 ¹	Ref. No.	42300006
description	axial fan L 119mm W 119mm H 38mm 230VAC 50/60Hz 23/20W bearing ball bearing connection male faston 2.8mm metal ADDA fan wheel ø 110mm temp.-resist. 70°C		
accessories for	601080		
		GEV No.	550898
		Ref. No.	—
	connecting cable cable length 2000mm connection F 2.8 connection distance 7.9mm for axial flow fan		
		GEV No.	692519
		Ref. No.	—
	guard L 120mm W 120mm plastic		

¹with ball bearings

			
1			
GEV No.	601130 ¹	Ref. No.	41100009
description	axial fan L 80mm W 80mm H 25mm 230VAC 50/60Hz 13/14W bearing ball bearing connection male faston 2.8mm metal ADDA fan wheel ø 75mm temp.-resist. 70°C airflow 30.6m ³ /h		
accessories for	601130		
		GEV No.	550898
		Ref. No.	—
	connecting cable cable length 2000mm connection F 2.8 connection distance 7.9mm for axial flow fan		

¹with ball bearings


hot air motors

			
1			
GEV No.	550757	Ref. No.	002080 43000044
description	counterflange for fan motor ED ø 48mm int. ø 1 24mm int. ø 2 15mm thickness 5mm brass		

Зип Общепит


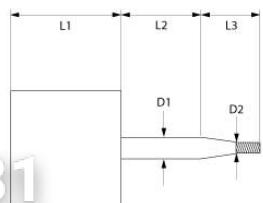
vsezip.ru

(812) 987-08-81






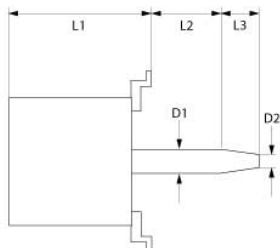
1

GEV No.	550859	Ref. No.	002115 430J00-7
description	counterflange for fan motor ED ϕ 60mm int. ϕ 1 34mm int. ϕ 2 25mm thickness 6mm brass		


1

GEV No.	601166	Ref. No.	44700005
description	fan motor 220-240V 1 phase 50Hz 0.37kW 2700rpm speeds 1 L1 123mm L2 77mm L3 30mm D1 ϕ 15mm D2 ϕ 12mm M10L ET 2A suitable capacitor 12.5 μ F/450V at 50Hz 2700rpm type 1057.2157		
spare parts for	601166		
	GEV No.	Ref. No.	—
	365014		
	operating capacitor capacity 12.5 μ F 450V tolerance 5%Hz ambient temperature max. -25 to +85°C ϕ 35mm L 70mm M8 plastic connection male faston 6.3mm 45S.C3DS.12.5 protection		
accessories for	601166		
	GEV No.	Ref. No.	—
	601165		
	fan wheel D1 ϕ 160mm H1 60mm blades 15 D2 ϕ 16mm D3 ϕ 16mm H2 29mm		


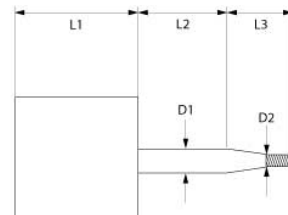
1

GEV No.	601046	Ref. No.	1240004
description	fan motor 220/380V 3 phase 50/60Hz 0.75kW 1350/1650rpm speeds 1 L1 185mm L2 42mm L3 47mm D1 ϕ 24mm D2 ϕ 20mm M12L IT 1.9/3.3A Cos(ϕ) 0.83 at 50Hz 200-240/346-415V at 60Hz 200-277/346-480V at 50Hz 1350rpm at 60Hz 1650rpm type ST80/4 no. 661512		





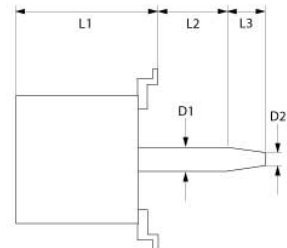
1

GEV No.	602175	Ref. No.	92000040
description	fan motor 230/400V 3 phase 50/60Hz 0.7kW 1400/1700rpm L1 150mm L2 80mm L3 32mm D1 ϕ 18mm D2 ϕ 15mm M8 suitable capacitor 3 μ F400V type 3042P4050		

1

GEV No.	601043	Ref. No.	008939 1250015
description	fan motor 220-240V 1 phase 50Hz 0.37/0.07kW 0.1/0.5HP 1400/2700rpm speeds 2 L1 123mm L2 107mm L3 15mm D1 ϕ 15mm D2 ϕ 12mm M10L ET 2/0.7A suitable capacitor 20 μ F/250V at 50Hz 1400/2700rpm type 1057		
accessories for	601043		
	GEV No.	Ref. No.	—
	365019		
	operating capacitor capacity 20 μ F 400V tolerance 5% 50/60Hz ambient temperature max. -25 to +85°C ϕ 39.5mm L 70mm M8 plastic connection male faston 6.3mm 16.10.25. protection		

1

GEV No.	499185	Ref. No.	009961 1260008
description	fan motor 380-415V 3 phase 50/60Hz 0.13/0.55kW 700/1350rpm speeds 2 L1 170mm L2 49mm L3 45mm D1 ϕ 24mm D2 ϕ 20mm M12x1.75 4P/8P type FB100L		

Зип Общепит

vsezip.ru

+7(812)987-08-81



1

GEV No.	601067	Ref. No.	41100010
description	fan wheel D1 ϕ 150mm H1 38mm blades 36 D2 ϕ 6mm D3 ϕ 6mm H2 14mm		



1

GEV No.	601060	Ref. No.	1250014
description	fan wheel D1 ϕ 180mm H1 60mm blades 16 D2 ϕ 11mm D3 ϕ 16mm H2 30mm		



1

GEV No.	601064	Ref. No.	44700002
description	fan wheel D1 ϕ 220mm H1 78mm blades 20 D2 ϕ 11.5mm D3 ϕ 16.5mm H2 30mm		



1

GEV No.	601224	Ref. No.	1260007
description	fan wheel D1 ϕ 300mm H1 100mm blades 24 D2 ϕ 19.5mm D3 ϕ 23mm H2 46mm		



1

GEV No.	601063	Ref. No.	1410004
description	fan wheel D1 ϕ 350mm H1 100mm blades 24 D2 ϕ 19.5mm D3 ϕ 23mm H2 46mm		



1

GEV No.	691810	Ref. No.	002067 43000043
description	flange for fan motor ED ϕ 48mm int. ϕ 1 19.5mm int. ϕ 2 15mm thickness 3.5mm brass		



1

GEV No.	550858	Ref. No.	002101 43000046
description	flange for fan motor ED ϕ 60mm int. ϕ 1 28.5mm int. ϕ 2 25mm thickness 4mm brass		



1

GEV No.	550686	Ref. No.	90200030
description	gasket for fan motor ID ϕ 12mm ED ϕ 58mm thickness 1mm with 3 screw holes		



1

GEV No.	511171	Ref. No.	43000042
description	shaft seal ID ϕ 14.5mm ED ϕ 20mm thickness 3mm		



1

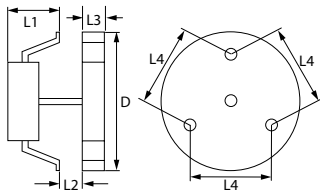
GEV No.	511172	Ref. No.	43000045
description	shaft sealing ID ϕ 24mm ED ϕ 29mm thickness 3mm		



hot air fans

miscellaneous



1



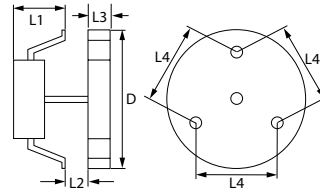
GEV No.	601011	Ref. No.	1510006
description	hot air fan 220-240V 40W 50/60Hz L1 65mm L2 15mm L3 25mm L4 87mm fan wheel ø 150mm FIME type C25R8023CLH		
accessories for	601011		
	GEV No.	550879	Ref. No. —
	insulation ø 130mm thickness 3mm hole ø 18mm for hot air fan		
	GEV No.	601260	Ref. No. —
	nut thread M6L IT for hot air fan		


Зип Общепит

vsezip.ru

+7(812)987-08-81

1



GEV No.	601125	Ref. No.	1270016
description	hot air fan 220-240V 45W 50/60Hz L1 70mm L2 11mm L3 25mm L4 87mm fan wheel ø 150mm FIME type C30R0479CLF		
accessories for	601125		
	GEV No.	550879	Ref. No. —
	insulation ø 130mm thickness 3mm hole ø 18mm for hot air fan		

pumps

drain pumps

ASKOLL



1

GEV No.	500565	Ref. No.	1250030
description	drain pump 30W		

condensators & interference sup-
pression filters

operating capacitors

plastic



1

GEV No.	365022	Ref. No.	90400011
description	operating capacitor capacity 40µF 400V tolerance 5%Hz ambient temperature max. -25 to +85°C ø 45mm L 95mm M8 plastic connection male faston 6.3mm protection		

electric accessories

cables

earthing cables



1

GEV No.	104684	Ref. No.	90200015
description	earthing cable connection F2.8mm / lug M5 cable length 350mm 1.5mm ²		

terminals

porcelain clamps



1

GEV No.	550112	Ref. No.	32100015
description	porcelain terminal block 2-pole 2.5mm ² max. 10A max 250V t.max. 200°C L 22mm W 17mm H 15mm mounting distance mm Qty 1 pcs		

gas valves and ignition boxes

gas control valves

SIT

NOVASIT

accessories



1

GEV No.	100905	Ref. No.	00131131 43000018
description	locking screw M10x1 for pipe ø 6mm Qty 1 pcs		

Зип-Общепит

vsezip.ru

+7(812)987-08-81



1

GEV No.	107894	Ref. No.	92100003
description	gas valve type 0848083 230V 50Hz gas inlet 3/4" gas outlet 3/4" pressure range 0.5-12mbar incl reducer 1/2" - 3/4"		



1

GEV No.	107498	Ref. No.	43000009
description	gas valve type Sigma 230V 50Hz gas inlet 1/2" gas outlet 1/2" pressure range 2-50mbar		

spare parts for

GEV No.	106214	Ref. No.	90200020
description	solenoid coil 230V 50Hz Sigma		

accessories for

GEV No.	107222	Ref. No.	—
description	plug for solenoid valve 3-pole cable length 1070mm		

ignition boxes

HONEYWELL



1

GEV No.	101165	Ref. No.	1440006
description	ignition box HONEYWELL type S4560A 1008 equiv. no. S4560A 1008 electrodes 1 waiting time 0s safety time 10s 220-240V 10VA 50Hz		
spare parts for	101165		
GEV No.	358696	Ref. No.	—
description	fine fuse size ø5x20mm 4A medium lag rated 250V Qty 10 pcs		




Зип-Общепит

vsezip.ru

+7(812)987-08-81

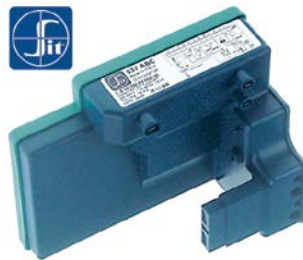
Honeywell



1

GEV No.	102367	Ref. No.	43000031
description	ignition box HONEYWELL type S4565A 2092 1 electrodes 3 waiting times safety time 10s 220-240V 4VA 50/60Hz		

SIT



1


GEV No.	102309	Ref. No.	43000008
description	ignition box SIT type 537ABC electrodes 3 waiting time 1.5s safety time 10s 230V 10VA 50-60Hz protection IP44		

ignition parts






pilot burners

SIT













100 series



1

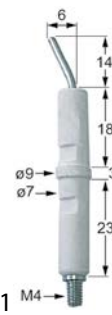
GEV No.	106906	Ref. No.	00106039
description	pilot burner SIT type 100 series 3 flames nozzle \varnothing 0.2mm gas connection 6mm		
spare parts for	106906		
	GEV No.	100245	Ref. No. —
	pilot burner nozzle LPG code 20 bore \varnothing 0.2mm Qty 1 pcs thread M8x0.75		
	GEV No.	100855	Ref. No. —
	pilot burner bracket triple		
	GEV No.	100885	Ref. No. —
	air mixing sleeve for pilot burner Qty 1 pcs		
	GEV No.	100916	Ref. No. —
	compression spring for pilot burner Qty 1 pcs		
	GEV No.	100917	Ref. No. —
	gasket for pilot burner Qty 1 pcs aluminium		

spare parts for 106906

	GEV No.	100918	Ref. No.	—
	locking screw for pilot burner			
	GEV No.	107162	Ref. No.	—
	pilot burner nozzle SIT 3 flames Hmm Lmm Qty 1 pcs			
	GEV No.	107701	Ref. No.	—
	pilot burner bottom part SIT 100 series nozzle \varnothing 0.2mm			
accessories for 106906				
	GEV No.	100245	Ref. No.	—
	pilot burner nozzle LPG code 20 bore \varnothing 0.2mm Qty 1 pcs thread M8x0.75			
	GEV No.	100246	Ref. No.	—
	pilot burner nozzle natural gas bore \varnothing 0.35mm Qty 1 pcs thread M8x0.75			
	GEV No.	100904	Ref. No.	—
	locking screw M10x1 for pipe \varnothing 4mm Qty 1 pcs			
	GEV No.	100905	Ref. No.	00131131 43000018
	locking screw M10x1 for pipe \varnothing 6mm Qty 1 pcs			
	GEV No.	102110	Ref. No.	—
	pilot tube copper pipe \varnothing 4mm thickness 1mm L 3000mm			
	GEV No.	102111	Ref. No.	—
	pilot tube copper pipe \varnothing 6mm thickness 1mm L 3000mm			
	GEV No.	107171	Ref. No.	—
	pilot burner nozzle SIT natural/liquid gas bore \varnothing 0.25mm Qty 1 pcs			
	GEV No.	107700	Ref. No.	—
	pilot burner bottom part SIT 100 series nozzle \varnothing 0.25mm			
	GEV No.	107702	Ref. No.	—
	pilot burner bottom part SIT 100 series nozzle \varnothing 0.35mm			

accessories

ignition electrodes



1

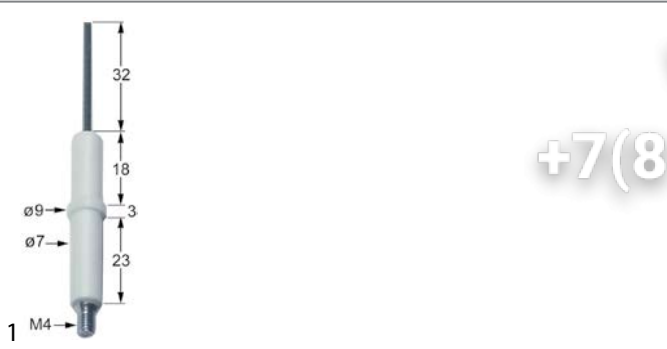
GEV No.	100706	Ref. No.	40100008
description	ignition electrode connection M4 Qty 1 pcs		

Зип Общепит


vsezip.ru

+7(812)987-08-81

electrodes

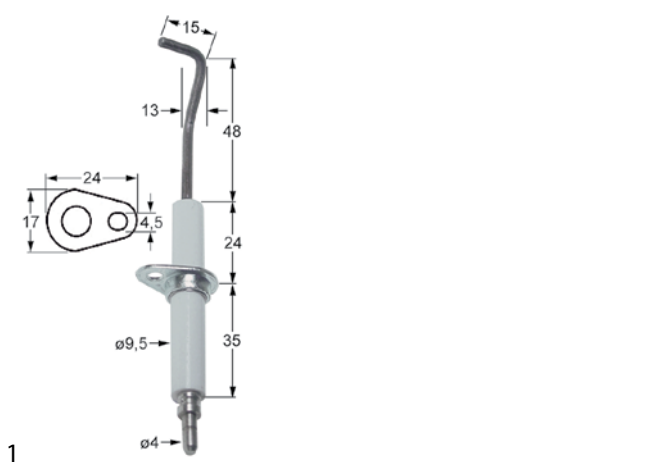


GEV No.	100701	Ref. No.	00142187
description	ignition electrode connection M4 Qty 1 pcs		
accessories for	100701		

	GEV No.	100906	Ref. No.	—
	screw connection thread M10x1 for ignition electrode brass Qty 1 pcs WS 10			



GEV No.	100706	Ref. No.	40100008
description	ignition electrode connection M4 Qty 1 pcs		



GEV No.	102342	Ref. No.	43000026
description	ignition electrode flange length 24mm flange width 17mm D1 ø 9.5mm L1 48mm L2 13mm L3 15mm BL1 24mm BL2 35mm fixing dimensions ø4.5mm with flange connection ø 4mm		




GEV No.	104799	Ref. No.	92900003
description	ignition electrode flange length 56mm flange width 22mm D1 ø 9x62mm D2 ø 9x62mm L1 130mm L2 140mm		





GEV No.	103287	Ref. No.	92100002
description	ignition electrode kit flange length 56mm flange width 22mm D1 ø 3mm D2 ø 9.5mm mounting distance 47mm		


ignition cables

pre-assembled cables

	GEV No.	102180	Ref. No.	00106042
	description	ignition cable cable length 1200mm connection ø2.4mm / ø2.4mm		

	GEV No.	102187	Ref. No.	90200014
	description	ignition cable cable length 300mm connection ø4mm / F2.8mm		

	GEV No.	102162	Ref. No.	91100002
	description	ignition cable cable length 400mm connection F2.8mm / F6.3mm		

	GEV No.	100025	Ref. No.	40100009
	description	ignition cable cable length 600mm connection ø4mm / F6.3mm		

gas components




ignition units


Зип Общепит

vsezip.ru

+7(812)987-08-81



GEV No.	103334	Ref. No.	90200013
description	ignition unit outputs 2 220-240VAC dimensions 83x42x32mm mounting distance 34mm inlet F2.8 outlet F2.8 type TSM 17VA 50/60Hz		



GEV No.	101002	Ref. No.	1430008
description	ignition unit outputs 2 230VAC dimensions 88x23x34mm mounting distance 73mm inlet F6.3x0.8 outlet F2.8x0.8 0.6VA 50/60Hz		

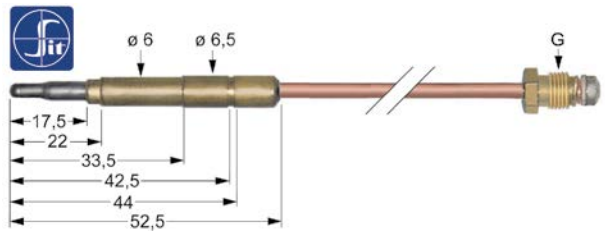
thermocouples

plug-in thermocouples

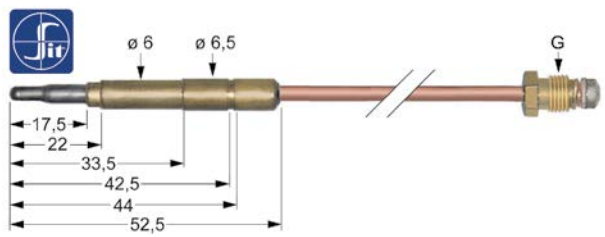
plug-in thermocouples standard

with barrel socket $\varnothing 6(6.5)$ mm

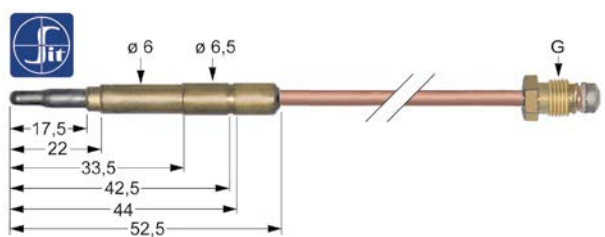
thermocouples SIT



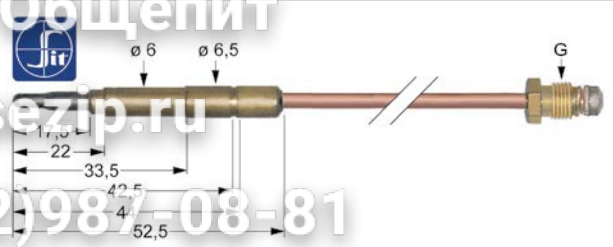
GEV No.	107615	Ref. No.	24204026
description	thermocouple SIT M10x1 L 320mm plug connection $\varnothing 6.0(6.5)$ mm		



GEV No.	107600	Ref. No.	00100095
description	thermocouple SIT M8x1 L 320mm plug connection $\varnothing 6.0(6.5)$ mm		

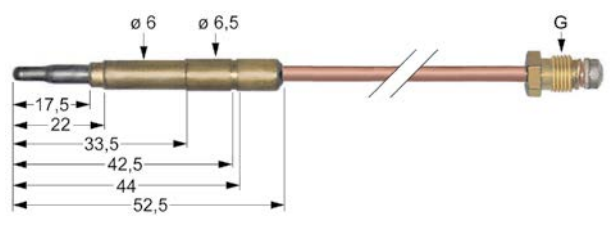


GEV No.	107612	Ref. No.	00106040
description	thermocouple SIT M9x1 L 1000mm plug connection $\varnothing 6.0(6.5)$ mm		

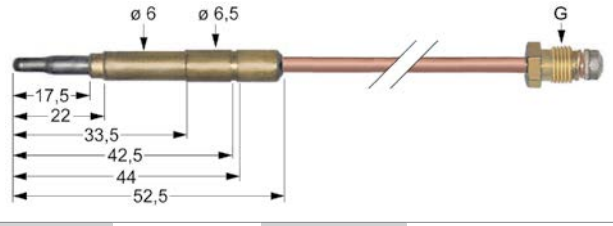


GEV No.	107613	Ref. No.	25100058
description	thermocouple SIT M9x1 L 1200mm plug connection $\varnothing 6.0(6.5)$ mm		

thermocouples with aluminised tip

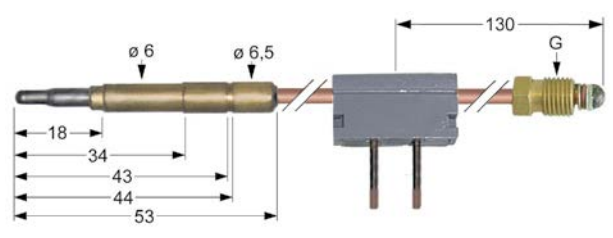


GEV No.	102037	Ref. No.	50100032
description	thermocouple M8x1 L 1200mm plug connection $\varnothing 6.0(6.5)$ mm		



GEV No.	102038	Ref. No.	51600020
description	thermocouple M8x1 L 1500mm plug connection $\varnothing 6.0(6.5)$ mm		

plug-in thermocouples with interruption



GEV No.	102069	Ref. No.	09500065
description	thermocouple with interrupter M9x1 L 600mm plug connection $\varnothing 6.0$ mm soldering connection		

gas components



Зип Общепит

vsezip.ru

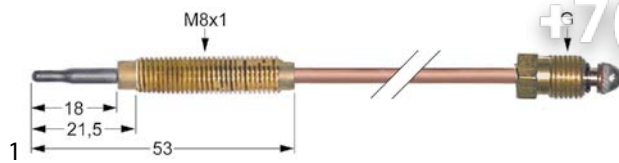
+7(812)987-08-81


threaded thermocouples

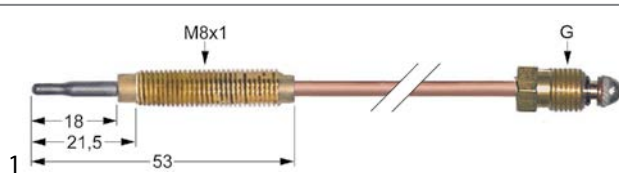
threaded thermocouples standard


with socket with thread M8x1


type Junkers with aluminised tip




GEV No.	102058	Ref. No.	04700019
description	thermocouple M8x1 L 1000mm M8x1		
accessories for	102058		
	GEV No.	102067	Ref. No. —
	nut thread M8x1 H 3mm brass Qty 1 pcs type SEF 1		




GEV No.	102057	Ref. No.	04700018
description	thermocouple M8x1 L 850mm M8x1		
accessories for	102057		
	GEV No.	102067	Ref. No. —
	nut thread M8x1 H 3mm brass Qty 1 pcs type SEF 1		

	GEV No.	105790	Ref. No.	008017 1430002
description	bar burner ø 50mm Wmm Hmm L 325mm flange width 57mm flange length 57mm convection oven			


	GEV No.	105789	Ref. No.	1450001
description	bar burner ø 50mm Wmm Hmm L 618mm flange width 71mm convection oven flange ø 75mm			

gas nozzles


main nozzles

gas nozzles M8x1				
	GEV No.	104737	Ref. No.	90200025
description	gas injector thread M8x1 WS 10 bore ø 0.5mm			

pilot burner nozzles

pilot burner nozzle AB				
	GEV No.	100201	Ref. No.	00142185
description	pilot burner nozzle PRO-GAS LPG code 30 Qty 1 pcs nozzle ø 0.3mm			


pilot burner nozzles POLIDORO


	GEV No.	100000	Ref. No.	40900003
description	pilot burner nozzle POLIDORO LPG code 22 bore ø 0.22mm Qty 1 pcs			

gas burners

bar burners

bar burners

	GEV No.	105788	Ref. No.	1440002
description	bar burner 1-row ø 50mm Wmm Hmm L 483mm flange width 71mm convection oven flange ø 75mm			

	GEV No.	105787	Ref. No.	1430003
description	bar burner ø 40mm Wmm Hmm L 415mm flange width 43mm flange length 43mm convection oven			

2 gas components





Зип-Общепит

for ovens

miscellaneous
vsezip.ru


+7(812)987-08-81

			
1			
GEV No.	104486	Ref. No.	40900006
description	pilot burner nozzle POLIDORO natural gas code 29.2 bore ϕ 2x0.29mm Qty 1 pcs		

			
1			
GEV No.	698478	Ref. No.	92800013
description	coupling for oven for door L 80mm W 26mm intake 7.8 x 7.8		

screw connections

union screws

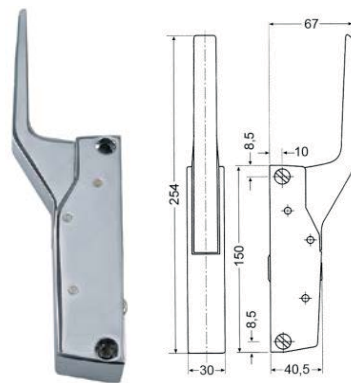


			
1			
GEV No.	100905	Ref. No.	00131131 43000018
description	locking screw M10x1 for pipe ϕ 6mm Qty 1 pcs		

locks

edgemoat latches

handle latches

CAFF/FERMOD





			
1			
GEV No.	700060	Ref. No.	1250056
description	handle latch L 150mm mounting distance 133mm non lockable heated units G 791		
accessories for	700060		
	GEV No.	700061	Ref. No. 1250046
	door catch L 58mm W 20mm H 35mm mounting distance 42mm chrome-plated brass for headed units		
	GEV No.	700062	Ref. No. —
	handle protection heated units		

drain valves



			
1			
GEV No.	696788	Ref. No.	91200011
description	drain pipe thread 1 1/2" IT T-piece plastic ID ϕ 37mm ED ϕ 40mm for combi-steamer		

door mechanics

locking mechanism

			
1			
GEV No.	698503	Ref. No.	92800011
description	espagnolette lock complete		
accessories for	698503		
	GEV No.	690041	Ref. No. —
	cam L 148mm mounting distance 32mm		
	GEV No.	694409	Ref. No. —
	mounting set for espagnolette lock 694382		
	GEV No.	700604	Ref. No. 1260017
	latch gear opening to the right shaft intake ϕ 8x8mm L 170mm W 40mm H 40mm		

door catches

			
1			
GEV No.	700061	Ref. No.	1250046
description	door catch L 58mm W 20mm H 35mm mounting distance 42mm chrome-plated brass for headed units		
accessories for	700061		
	GEV No.	690414	Ref. No. —
	handle latch L 150mm mounting distance 133mm non lockable refrigeration units G 791		

2 gas components

Зип Общепит

vsezip.ru

+7(812)987-08-81

snap locks

universal



1	GEV No. 690903	Ref. No.	1270034
description	snap lock L 69mm W 13mm H 20mm mounting distance 57mm complete with door catch nickel-plated brass		

espagnolette locks

universal



1	GEV No. 700604	Ref. No.	1260017
description	latch gear opening to the right shaft intake ø 8x8mm L 170mm W 40mm H 40mm		

hinges

door bearing



1	GEV No. 514310	Ref. No.	009400 1250066
description	hinge bearing mounting pos. bottom left without bolt		



1	GEV No. 514309	Ref. No.	009413 1250067
description	hinge bearing mounting pos. upper left without bolt		

GEV No. 514312	Ref. No.	001988 43000034
description	hinge bearing mounting pos. upper left without bolt	




shelves and shelf rails

grates

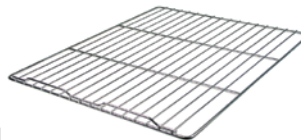
universal




without upstand



1	GEV No. 970120	Ref. No.	4100029
description	grate W 325mm D 530mm GN 1/1 chrome-plated steel wire gauge frame 7mm lengthwise wires gauge 4mm crossing wires 1		
accessories for	970120		
	GEV No. 690330	Ref. No.	—
	rack L 1000mm W 22mm H 4mm aperture 3x8mm hole distance 12.5mm stainless steel		
	GEV No. 694700	Ref. No.	—
	shelf support L 31/28mm W 22mm H 18mm SS Qty 12 pcs		
	GEV No. 694701	Ref. No.	—
	shelf support L 31/28mm W 22mm H 17mm SS with hook Qty 12 pcs		

with upstand



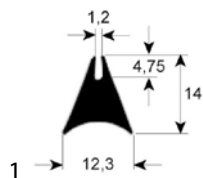
1	GEV No. 970527	Ref. No.	00100115
description	grate W 530mm D 650mm GN 2/1 chrome-plated steel with hinge camp crossing wires 2 suitable for refrigerator		
accessories for	970527		
	GEV No. 690330	Ref. No.	—
	rack L 1000mm W 22mm H 4mm aperture 3x8mm hole distance 12.5mm stainless steel		
	GEV No. 694700	Ref. No.	—
	shelf support L 31/28mm W 22mm H 18mm SS Qty 12 pcs		
	GEV No. 694701	Ref. No.	—
	shelf support L 31/28mm W 22mm H 17mm SS with hook Qty 12 pcs		



gaskets

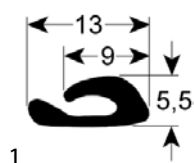
gaskets for heated units

window seals



GEV No.	900058	Ref. No.	009293 1240011 1250054
----------------	--------	-----------------	------------------------------

description window gasket profile 1620 Qty supplied by meter



GEV No.	900470	Ref. No.	007609 42300002
----------------	--------	-----------------	--------------------

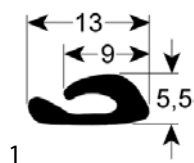
description window gasket profile 1880 L 520mm Qty 1

accessories for 900470



GEV No.	900471	Ref. No.	—
----------------	--------	-----------------	---

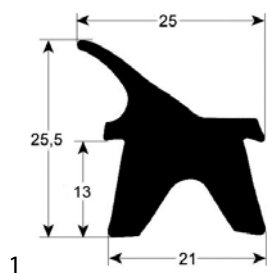
description window gasket profile 1880 L 680mm Qty 1



GEV No.	900882	Ref. No.	007620 42300003
----------------	--------	-----------------	--------------------

description window gasket profile 1880 Qty supplied by meter

door seals



GEV No.	900348	Ref. No.	1240012
----------------	--------	-----------------	---------

description door seal profile 2402 Qty supplied by meter

Зип Общепит

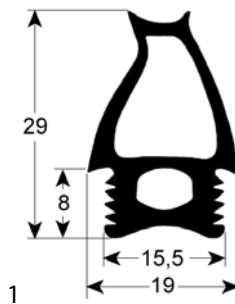
vsezip.ru

+7(812)987-08-81



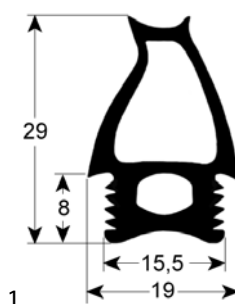
GEV No.	901624	Ref. No.	92600002
----------------	--------	-----------------	----------

description door seal profile 2781 W 475mm L 1410mm external size suitable for ANGELO PO



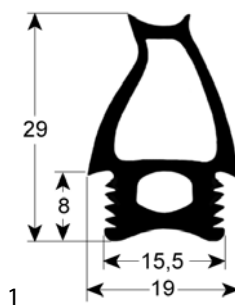
GEV No.	901622	Ref. No.	92000022
----------------	--------	-----------------	----------

description door seal profile 2781 W 475mm L 475mm external size suitable for ANGELO PO



GEV No.	901623	Ref. No.	92200002
----------------	--------	-----------------	----------

description door seal profile 2781 W 475mm L 725mm external size suitable for ANGELO PO



GEV No.	901627	Ref. No.	92800001
----------------	--------	-----------------	----------

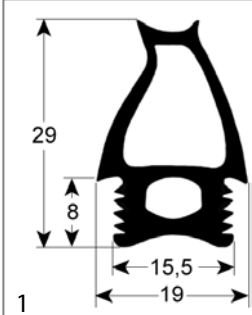
description door seal profile 2781 W 688mm L 1410mm external size suitable for ANGELO PO



Зип.Общепит
manometers

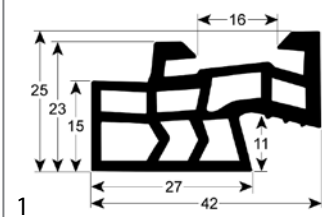
vsezip.ru

+7(812)987-08-81



GEV No.	901626	Ref. No.	92800010
description	door seal profile 2781 W 688mm L 886mm external size suitable for ANGELO PO		

gaskets for tray rack trolleys



GEV No.	902520	Ref. No.	92600004
description	tray rack trolley gasket profile 4140 L 515mm Qty 1		

sealing washers

silicone gaskets



GEV No.	359721	Ref. No.	1230008
description	gasket silicone ED ø 48mm ID ø 39.5mm thickness 5mm Qty 1 pcs		

shaft gaskets

shaft gaskets



GEV No.	511171	Ref. No.	43000042
description	shaft seal ID ø 14.5mm ED ø 20mm thickness 3mm		



GEV No.	511172	Ref. No.	43000045
description	shaft sealing ID ø 24mm ED ø 29mm thickness 3mm		



GEV No.	541508	Ref. No.	90200028
description	manometer ø 40mm pressure range 0-4bar connection thread 1/8"		

hose reels and spray guns

spray guns



GEV No.	691048	Ref. No.	1270003R
description	spray gun for appliances 1/2" ET L 225mm type STAR		

spare parts for 691048

	GEV No.	507309	Ref. No.	—
		O-ring EPDM thickness 2.62mm ID ø 17.13mm Qty 1 pcs		
	GEV No.	510322	Ref. No.	—
		O-ring EPDM thickness 1.78mm ID ø 17.17mm Qty 1 pcs		
	GEV No.	524055	Ref. No.	—
		flat gasket rubber ED ø 18mm ID ø 12mm thickness 2mm Qty 1 pcs		
	GEV No.	528485	Ref. No.	—
		O-ring EPDM thickness 1.78mm ID ø 6.07mm Qty 1 pcs		
	GEV No.	528494	Ref. No.	—
		gasket rubber ED ø 13mm ID ø 4mm thickness 4mm Qty 1 pcs		

valves and tank inlets

ball valves

ball valves electric



GEV No.	401233	Ref. No.	43000004
description	ball valve inlet 1/2" IT outlet 1/2" IT 230V 50/60Hz mode of operation electric W 60mm H 99mm cable 4-pole 2.5W 4-pole duty cycle 50%		



measuring equipment

thermometers

built-in thermometers

ø52mm



GEV No.	541077	Ref. No.	1230022
description	thermometer mounting ø 52mm t.max. 350°C +50 up to +350°C probe ø 6mm probe L 30mm capillary pipe 1000mm built-in depth 28mm		

fastening material

screws

hexagonal screws



GEV No.	506445	Ref. No.	91900007
description	hexagonal screw thread M10 thread L 35mm SS WS 17 Qty 1 pcs DIN 933 / ISO 4017		

Зип Общепит

nuts

hexagonal nuts

hexagonal nuts metric (without norm)



GEV No.	520230	Ref. No.	00112127 010106
description	nut thread M14x1.5 H 5mm WS 19 zinc-coated steel Qty 1 pcs		

fasteners

roll pins



GEV No.	691637	Ref. No.	1260021
description	roll pin ø 3mm L 20mm		

Зип Общепит

vsezip.ru

+7(812)987-08-81

Зип Общепит

hot air motors

14

A

alarm devices 9
axial fans 14

B

ball valves 26
ball valves electric 14, 26
bar burners 22

C

cables 18
cam switches 5
condensators & interference suppression filters 18
contactors 9
control thermostats 4, 4

D

door catches 23
door seals 25
drain pumps 17

E

earthing cables 18
edgemount latches 23
electric accessories 18
electrodes 14
electronic controllers 12
energy regulators 3
espagnolette locks 24

F

fans 14
fasteners 27
fastening material 27

G

gas burners 22
gas control valves 18
gas nozzles 22
gaskets for heated units 25
gaskets for tray rack trolleys 26
grates 24

H

halogen lamp 7
handle latches 23
heating elements 2
heating elements for convection 2
heating elements for heated cabinets 2
hexagonal nuts 27
hexagonal screws 27
hot air fans 17

vsezip.ru

+7(812)987-08-81

ignition boxes

18

ignition cables

20

ignition units

21

immersion heating elements

2

indicator lights

6

indicator lights (complete)

6

L

lamps 6

light bulbs 6

M

magnetic switches 6

measuring equipment 27

mechanical timers 9

microswitches 5

N

nuts 27

O

operating capacitors 18

oven lamps 7

P

pilot burners 19

pressure switches 14

probes 12

programme timers 9

pumps 17

R

relays 10

roll pins 27

S

safety thermostats 4, 5

screws 27

sealing washers 26

shaft gaskets 26

shelves and shelf rails 24

snap locks 24

solenoid valves 13

spray guns 26

spray guns with external thread 26

switches and momentary switches 5

system switches (ROLD) 5

T

temperature probes 12

terminals	18
thermocouples	21
thermostats	4
time relays	11
timers	9
transformers	11

U

universal probes	12
------------------	----

V

valves and tank inlets	26
------------------------	----

W

window seals	25
--------------	----

Зип Общепит**vsezip.ru****+7(812)987-08-81**