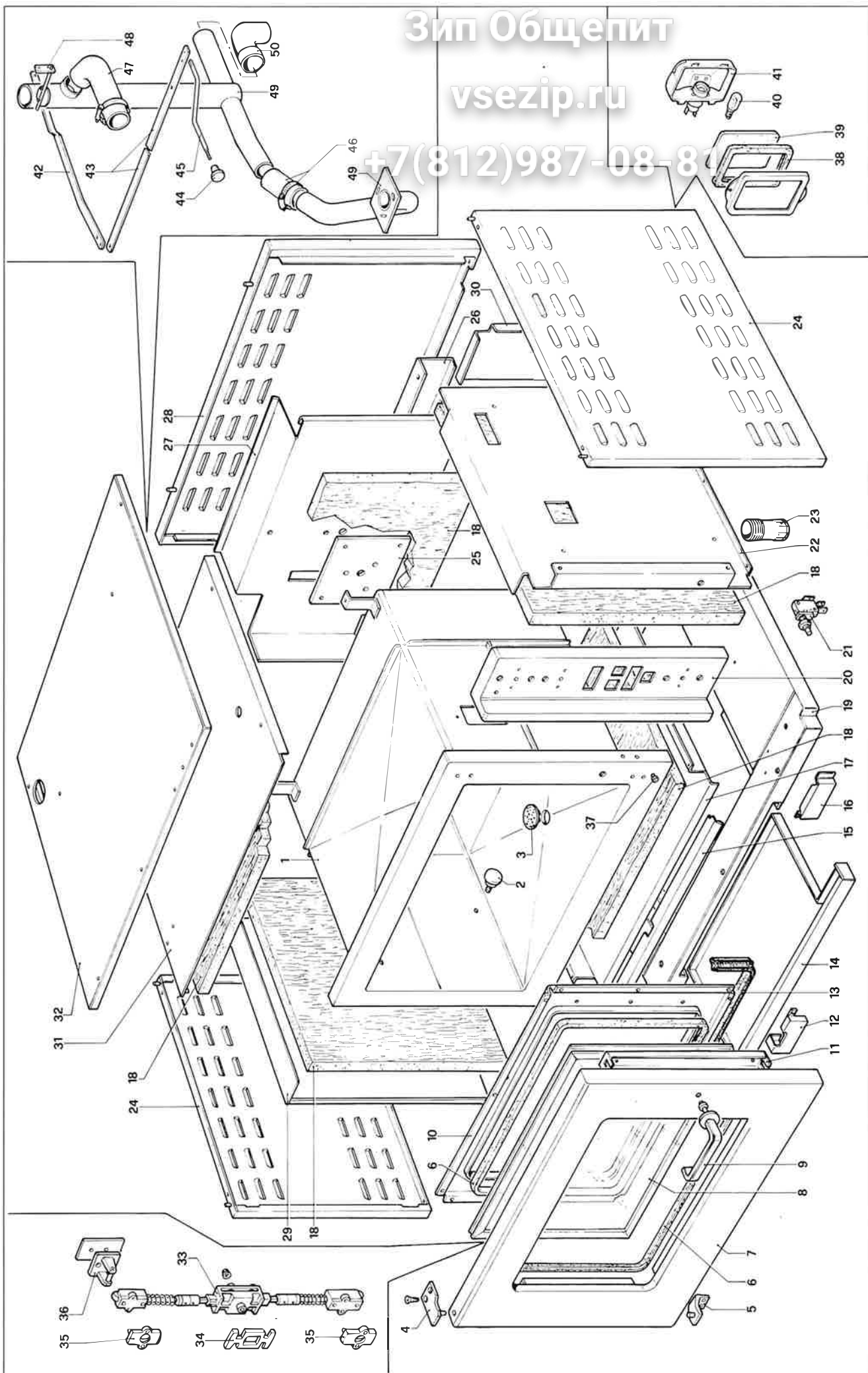


Зип Общепит

vsezip.ru

+7(812)987-08-87



STAR CHEF

ТАВ. 201

TAV. 201 **STRUTTURA** **STRUCTURE** **STRUCTURE** **STRUKTUR**

Зип Общепит

vse410.ru

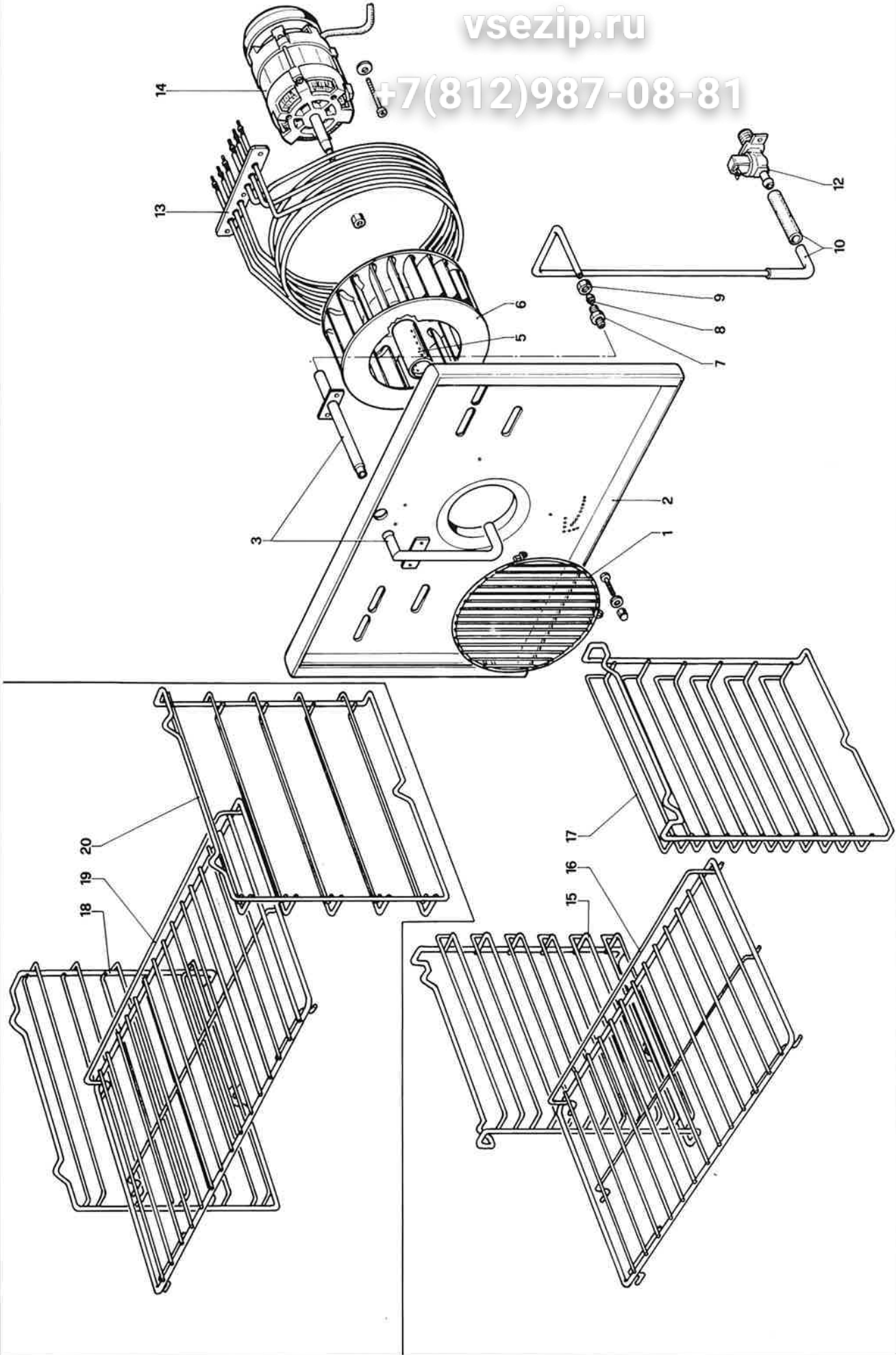
7(812)337-08-8

	Codice	Denominazione	Denomination	Denomination	Bezeichnung	FEC060	FE050	FEM060/061
1	GAFOC00009	Cassone forno	Caisson du four	Oven body	Ofenschublade	●	●	●
2	RTCU700002	Attacco griglia laterale	Attaque latérale	lateral connection	Seitenanschluss	●	●	●
3	PAFOC00051	Disco scarico condensa	Disque évacuation condensation	Moisture drain disk	Kondenswasserablassscheibe	●	●	●
4	GAFOC00030	Cerniera superiore porta	Charnière supérieure	Upper hinge	Obere Türangel	●	●	●
5	GAFOC00031	Cerniera inferiore porta	Charnière inférieure	Lower door hinge	Untere Türangel	●	●	●
6	MPGOM03P00	Guarnizione vetro porta	Guarniture porte	Oven door gasket	Türdichtung	●	●	●
7	GAFOC00001	Porta forno	Porte du four	Oven door	Ofentür	●	●	●
8	RTFOC00008	Cristallo porta forno	Verre porte four	Oven door glass	Ofentürglas	●	●	●
9	RTFOC00007	Maniglia serratura	Poignée porte four	Oven door handle	Ofentürgriff	●	●	●
10	PAFOC00008	Controporta forno	Contre porte du four	Oven counter door	Gegentür	●	●	●
11	PAFOC00007	Protezione serratura porta	Protection de la serrure	Lock guard	Schlosschutz	●	●	●
12	PAFOC00039	Prolunga sinistra facciata	Rallonge gauche facade	Left facade extension	Verlängerung Linke Front	●	●	●
13	RTFOC00094	Guarnizione porta forno	Guarniture porte du four	Oven door gasket	Türdichtung	●	●	●
14	GAFOC00048	Cassetto	Tiroir	Drawer	Kasten	●	●	●
15	PAFOC00181	Traversa antigoccia	Traverse anti-goutte	Anti-drip crosspiece	Tropfschutzquerstange	●	●	●
16	PAFOC00038	Prolunga destra facciata	Rallonge droite facade	Right facade extension	Verlängerung Rechte Front	●	●	●
17	PAFOC00025	Coprilana inferiore	Panneau couvre isolant	Insulating panel cover	Isoliermaterialverkleidung	●	●	●
18	PACU800150	Pannello isolante	Panneau isolant	Insulating panel	Isolierplatte	●	●	●
19	GAFOC00040	Basamento	Soubassement	Base	Untergestell	●	●	●
20	GAFOC00032	Crusotto	Panneau de contrôle	Control panel	Stirnbrett	●	●	●
21	RTFOC00035	Microinterruttore	Microswitch	Microswitch	Microswitch	●	●	●
22	PAFOC00023	Coprilana destro	Panneau couvre isolant	Insulating panel cover	Isoliermaterialverkleidung	●	●	●
23	RTFOC00051	Piedino	Pied	Foot	Inos-Fuss	●	●	●
24	PAFOC00035	Fianco inox	Côté inox	Inox side	Inox-Seite	●	●	●
25	GAFOC00019	Supporto ventola	Support ventilateur	Fan support	Lautradsupport	●	●	●
26	PAFOC00026	Coprilana inf. posteriore	Panneau couvre isolant	Insulating panel cover	Isoliermaterialverkleidung	●	●	●
27	PAFOC00024	Coprilana posteriore	Panneau couvre isolant	Insulating panel cover	Isoliermaterialverkleidung	●	●	●
28	PAFOC00036	Posteriore inox	Panneau postérieur inox	Inox back panel	Inox-Rückwand	●	●	●
29	PAFOC00022	Coprilana sinistro	Panneau couvre isolant	Insulating panel cover	Isoliermaterialverkleidung	●	●	●
30	PAFOC00136	Protezione comp. elettrici	Protection composant électriques	Electrical components guard	Schutz elektrischen Komponenten	●	●	●
31	PAFOC00140	Coprilana superiore	Panneau couvre isolant	Insulating panel cover	Isoliermaterialverkleidung	●	●	●
32	GAFOC00037	Coperchio	Couvercle	Cover	Topfdeckel	●	●	
32	GAFOC00091	Coperchio	Couvercle	Cover	Topfdeckel			●
33	GAFOC00005	Serratura porta forno	Serrure porte four	Over door lock	Ofentürschloss	●	●	●
34	RTFOC00057	Zoccolo centrale serratura	Prise centrale serrure	Central connection lock	Mittlerer Anschluss	●	●	●
35	RTFOC00005	Zoccolo esterno serratura	Prise extérieure serrure	External connection lock	Ausserer Anschluss	●	●	●
36	RTFOC00009	Gancio fisso serratura	Crochet fixe de la serrure	Lock fixed hook	Fester Schlossnaken	●	●	●
37	RTBF800021	Gommino porta forno	Bouchon de la porte	Door rubber cap	Türgummi	●	●	●
38	RTFOC00202	Guarnizione portalamпада	Garniture	Gasket	Dichtung	●	●	●
39	RTFOC00201	Vetro portalamпада	Verre protège ampoule	Lamp-holden glass	Leuchtenhalterungsglas	●	●	●
40	RTFOC00037	Lampada 25W 220V.	Ampoule 25W 220V	Lamp 25W 220V	Leuchte 25W 220V	●	●	●
41	RTFOC00036	Portalamпада	Douille	Lamp-holder	Leuchtenhalterung	●	●	●
42	RTFOC00060	Asta posteriore scarico cond.	Antenne arriere	Rear rod	Hinterere stange	●	●	●
43	RTFOC00061	Asta trasversale scarico cond.	Antenne transversale	Transverse rod	Querstange	●	●	●
44	RTFOC00056	Manopola scarico condensa	Manette évacuation condens.	Moisture drain knob	Drehknopf Kondenswasserablass	●	●	●
45	RTFOC00062	Asta anteriore scarico cond.	Antenne avant	Front/rod	Vordere stange	●	●	●
46	RTFOC00116	Tube di collegamento infer.	Tuyan de branchement inférieur	Lower connection hose	Unteres Verbindungsrohr	●	●	●
47	RTFOC00117	Tube di collegamento poster.	Tuyan de branchement postérieur	Rear connection hose	Hinteres Verbindungsrohr	●	●	●
48	RTFOC00059	Asta posteriore scarico cond.	Antenne arriere	Rear rod	Hinterere stange	●	●	●
49	RTFOC00052	Rampa scarico condensa	Rampe évacuation condensation	Moisture drain ramp	Kondenswasserablassrampe	●	●	
49	RTFOC00152	Rampa scarico condensa	Rampe évacuation condensation	Moisture drain ramp	Kondenswasserablassrampe			●
50	RTFOC00124	Gomito scarico condensa	Coude évacuation condensation	Moisture drain elbow	Kondenswasserablasskniestück	●	●	●

Зип Ощепит

vsezip.ru

+7(812)987-08-81



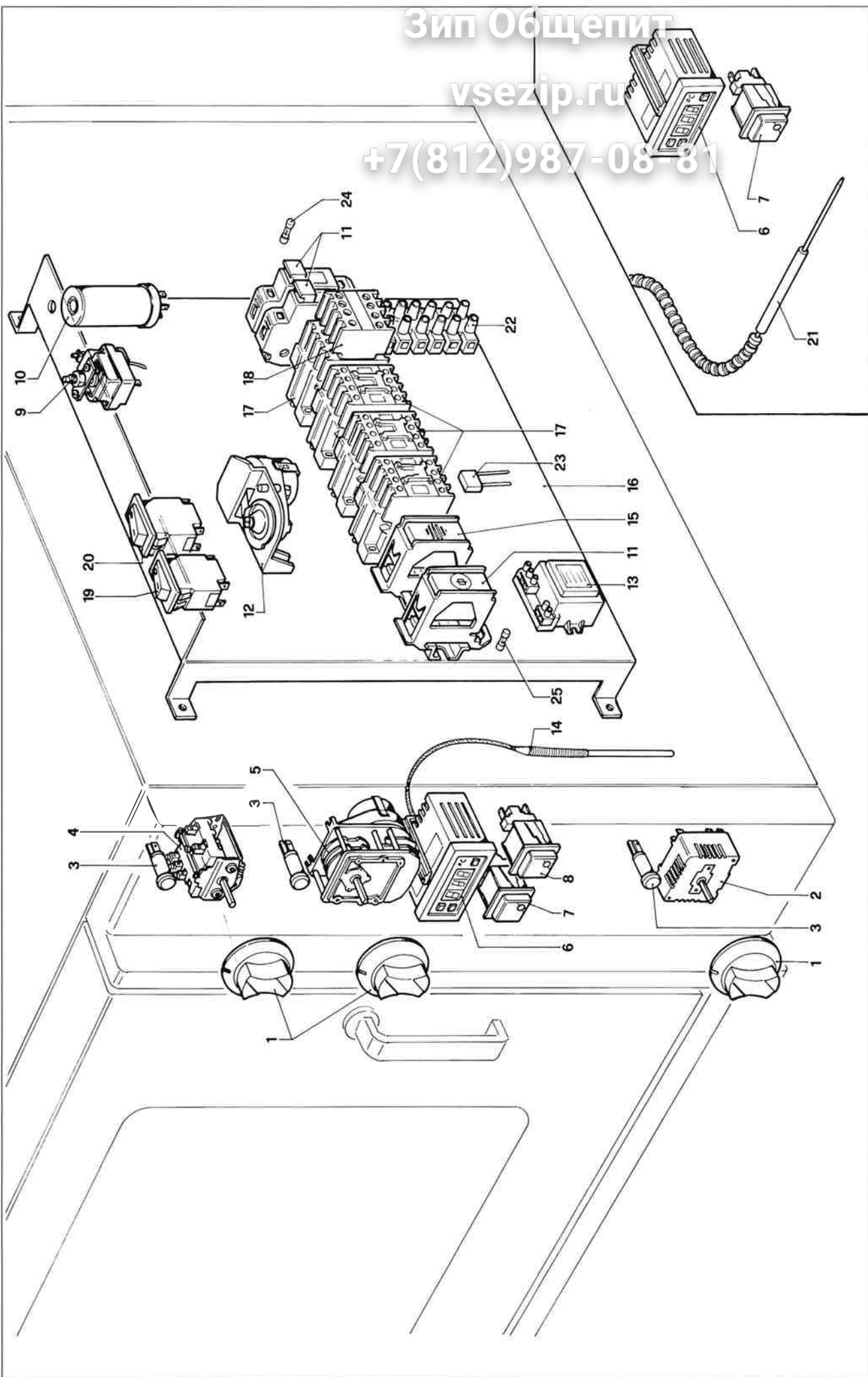
STAR CHEF

TAV. 202

Зип Общепит

vsezip.ru

+7(812)987-08 81



STAR CHEF

ТАВ. 203

Зип Ощепит

vsezip.ru

+7(812)987-08-81

