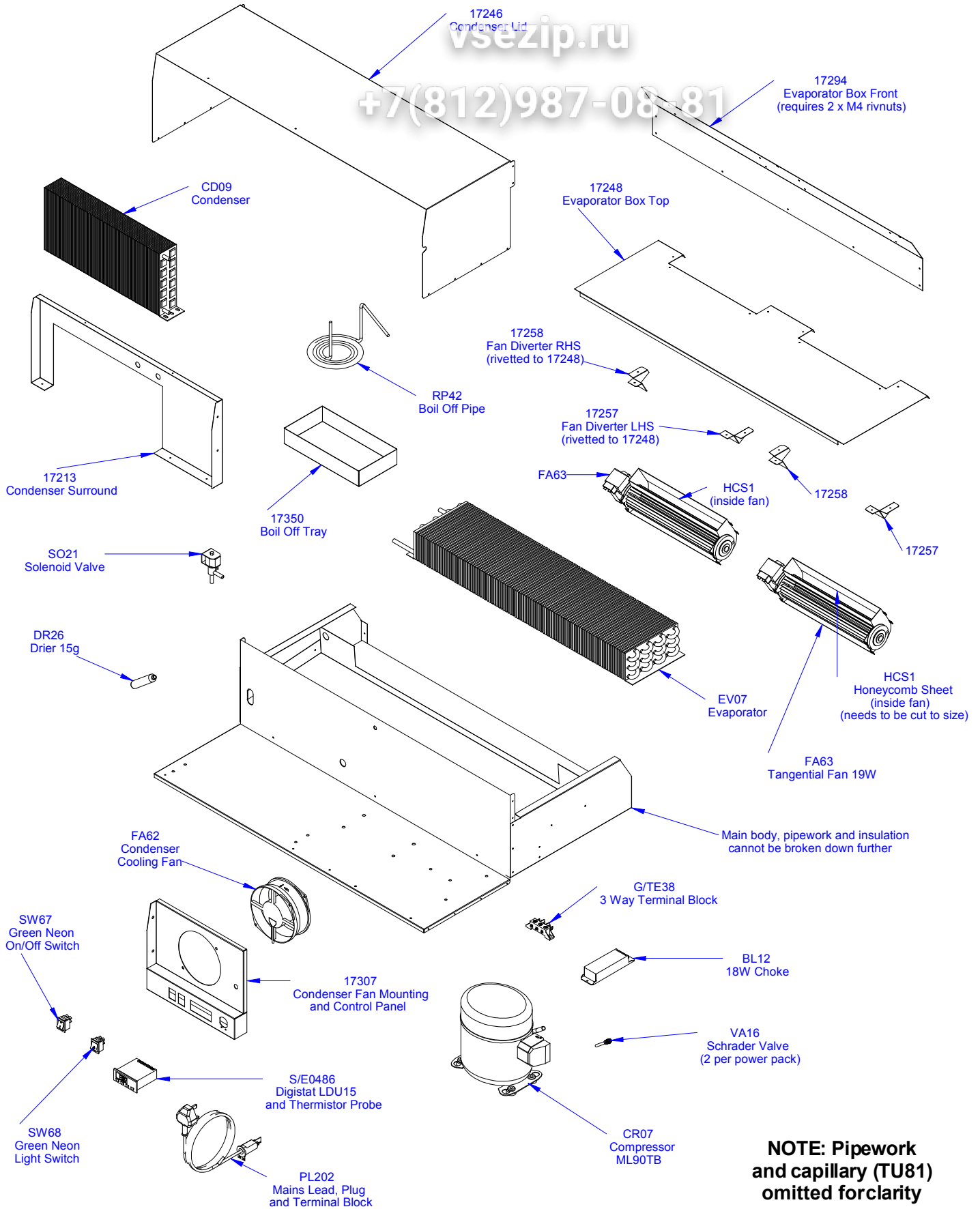


Parts common with the SCR785 are detailed on exploded view "SCR785 - A001"



NOTE: Pipework and capillary (TU81) omitted for clarity