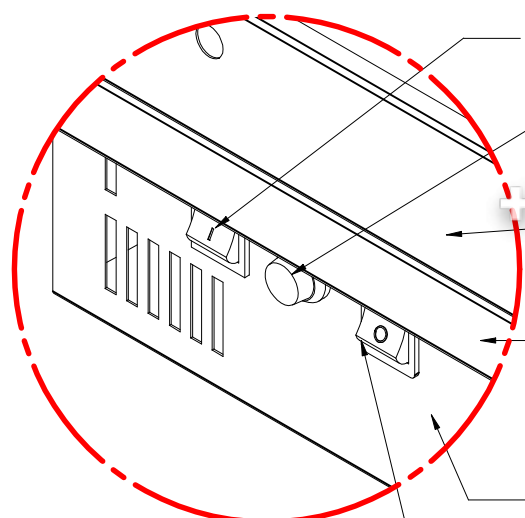


Зип Общепит

ysezip.ru

+7(812)987-08-81



DETAIL A

SW69 SWITCH (GREEN)

NE40 NEON (AMBER)

MID-FRONT FACIA

LOWER DOOR HINGE BAR

CONTROL PANEL

NE14 SWITCH (RED)

TOP

INSULATION (TOP PIECE)

WELDED/RIVETED ASSEMBLY CAN NOT BE DIS-ASSEMBLED

HI32

HI32

HI32

EL01

EL01

EL01

RE28 RELAY

DRAIN PIPE ASSEMBLY

18925 DRAIN LATCH

CO112 CONTACTOR

RH SHELF ASSEMBLY

LH SHELF ASSEMBLY

BU55 BUSH

DRIP TRAY

KN206

KN206

LOWER DOOR ASSEMBLY

BATTER PLATE

BATTER PLATE

WATER RESEVOIR LID

WATER RESEVOIR

SV02 STEAM VENT

VENT PIPE ASSEMBLY

FC10 WATER INLET HOSE

UPPER BACK

LOWER BACK

FS01 LEVEL SWITCH

WATER INLET PIPE ASSEMBLY

SO22 SOLENOID VALVE

STEAM CHAMBER TO WATER RESEVOIR PIPE

TH73 SAFETY STAT

TE45 TERMINAL BLOCK

TH77 OPERATING STAT

UPPER DOOR ASSEMBLY

SE37 DOOR SEAL

MC01 MAGNETIC CATCH

LE42

LE42

LE42

LE42

MATERIAL	AREA m ²	DATE	ECN	3096	THIRD ANGLE PROJECTION			SHEET	TITLE
ST		04.03.08	DATE	21.01.07	ALL DIMENSIONS IN mm UNLESS OTHERWISE STATED			1 OF 2	0E7503 - A001
DRAWN BY	SCALE	GENERAL TOLERANCE ± 0.4mm			GRAIN ALONG X AXIS U.O.S.		BURR SIDE DOWN U.O.S.	REVISION	
Kevin Hanson	NTS(A3)	Lincat			© 2008 LINCAT LIMITED, WHISBY ROAD, LINCOLN, LN6 3QZ				DWG No.

Зип Общепит

vsezip.ru

+7(812)987-08-81

R&D Component Request Sheet

Date Requested	04/06/2008		
Name	Ian Marshall		
Product			
Description	OE7503 - A001		
Part Number	18801	Revision No	Error: No reference
Quantity			
Material	Bend Rad Error: No reference Mat Thick Error: No reference		
Processed by			
New DXF	Yes	ECN Number	3096
Folding/Perimeter			

Reason for request	Please Tick Box
Punching Fault	
Folding Error	
Scratched/Dented	
Shortage	
Development	Yes
Recon	
Spares	

DESTINATION

ref: saved as P:\Exploded diagrams\Opus draft\OE7503.dft