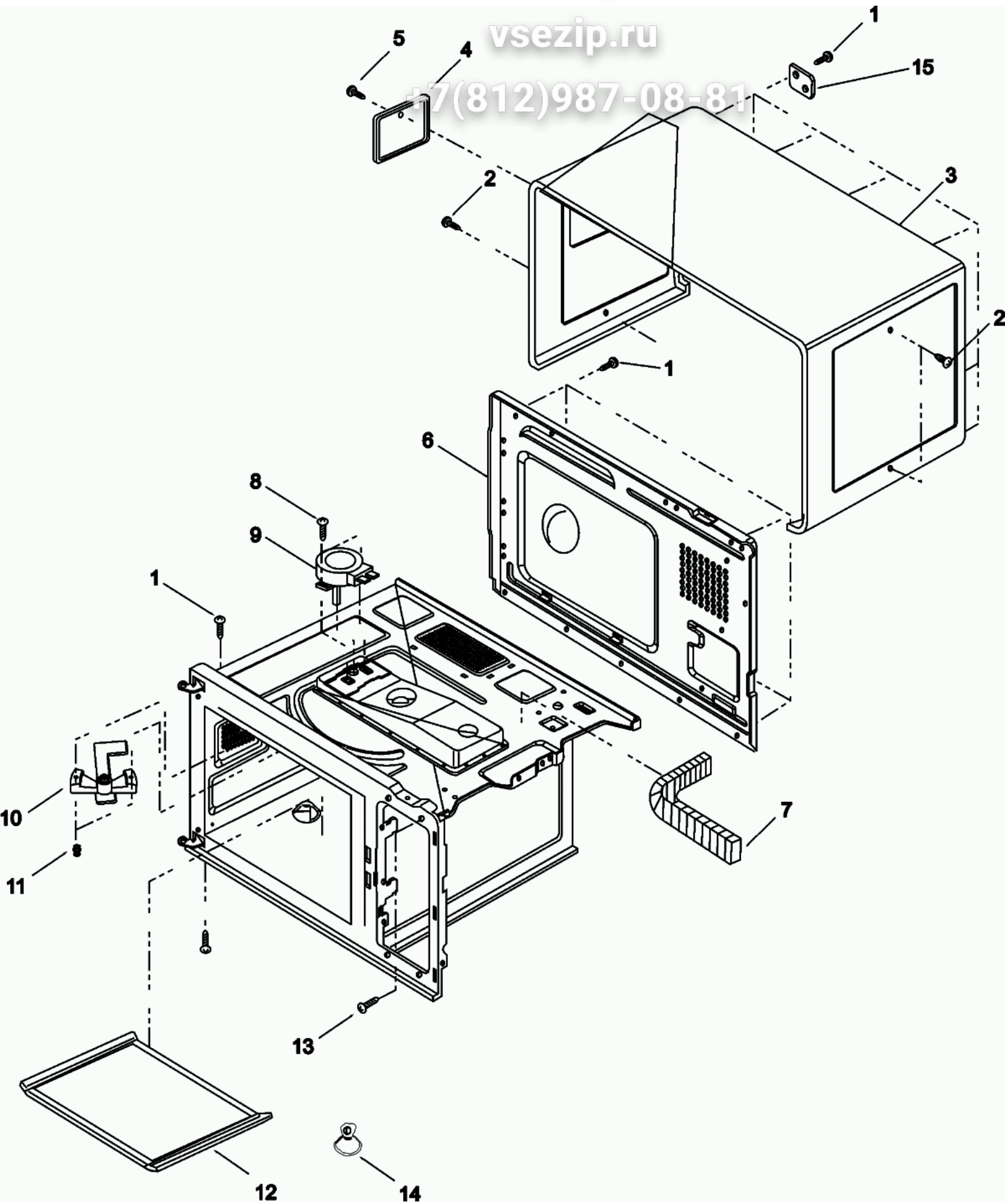


Зип Общепит

vsezip.ru

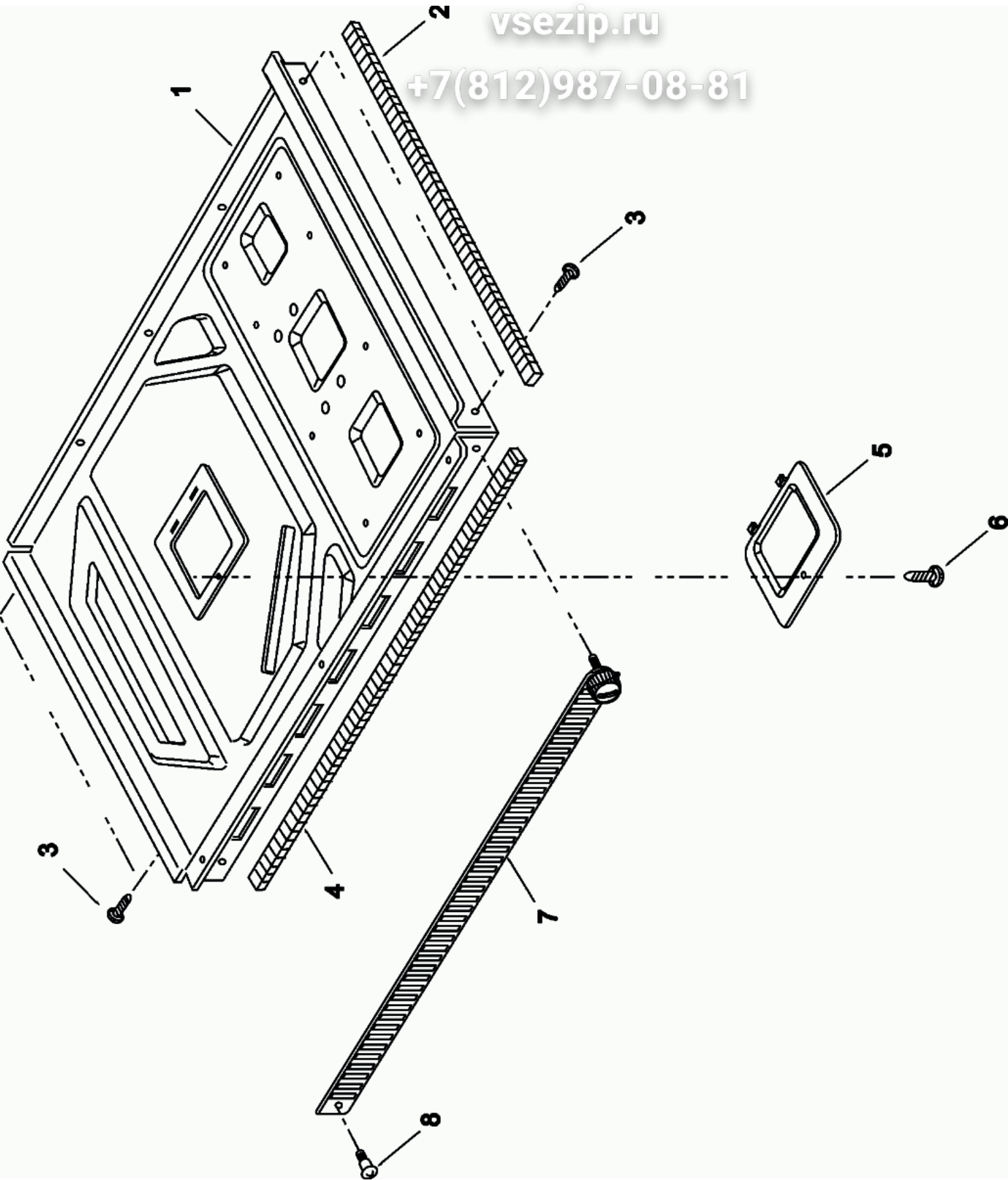
+7(812)987-08-81



Зип Ощепит

vsezip.ru

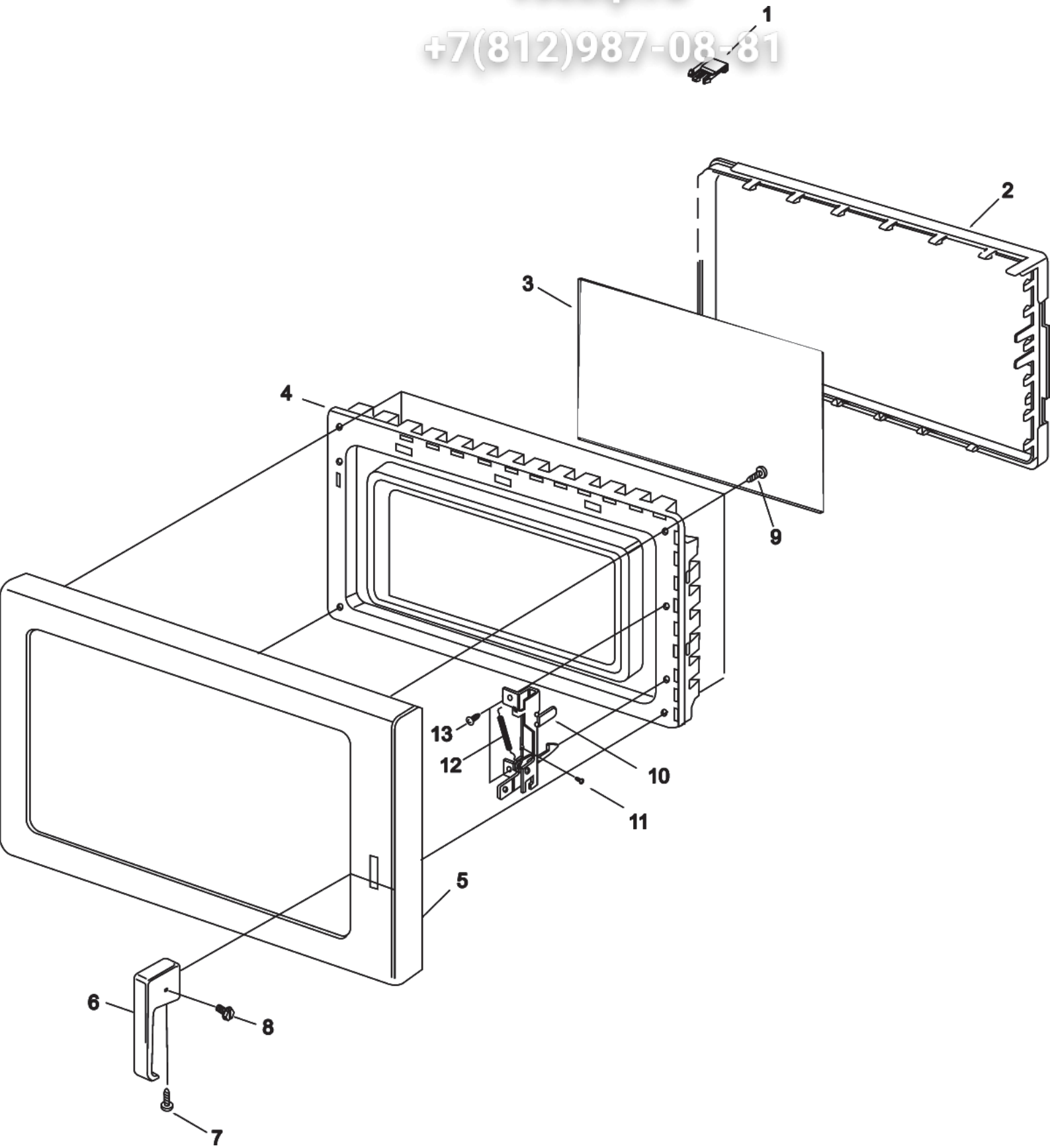
+7(812)987-08-81



Зип Общепит

vsezip.ru

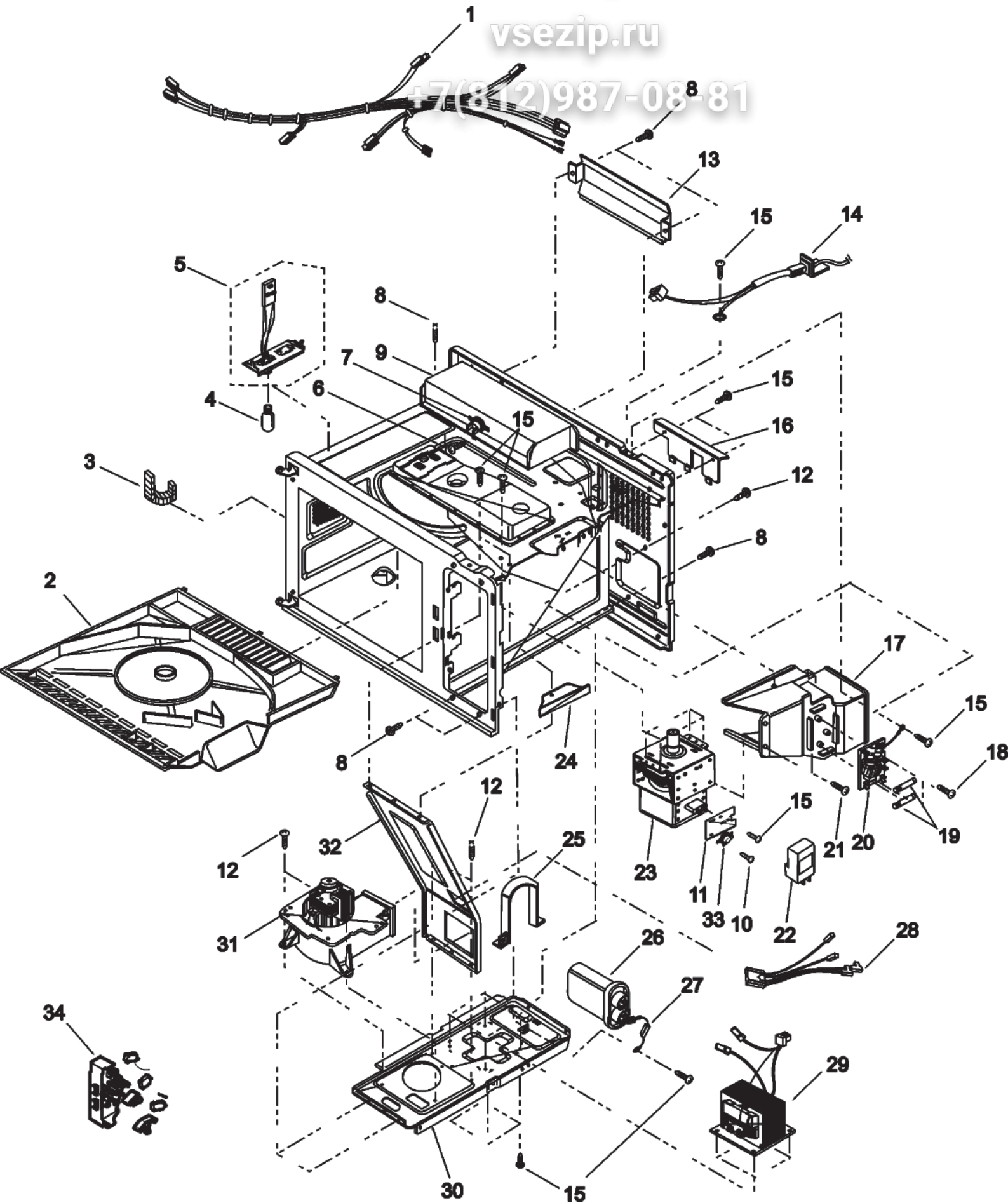
+7(812)987-08-81



Зип Общепит

vsezip.ru

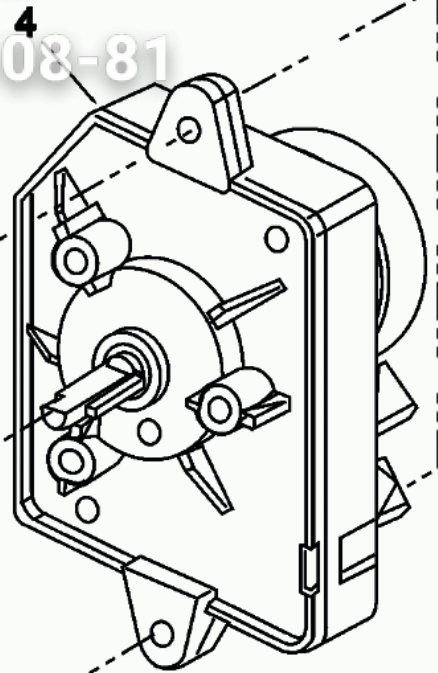
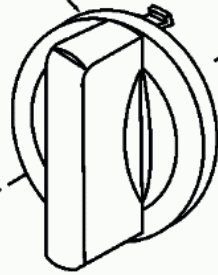
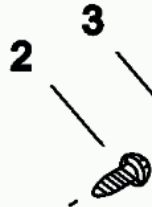
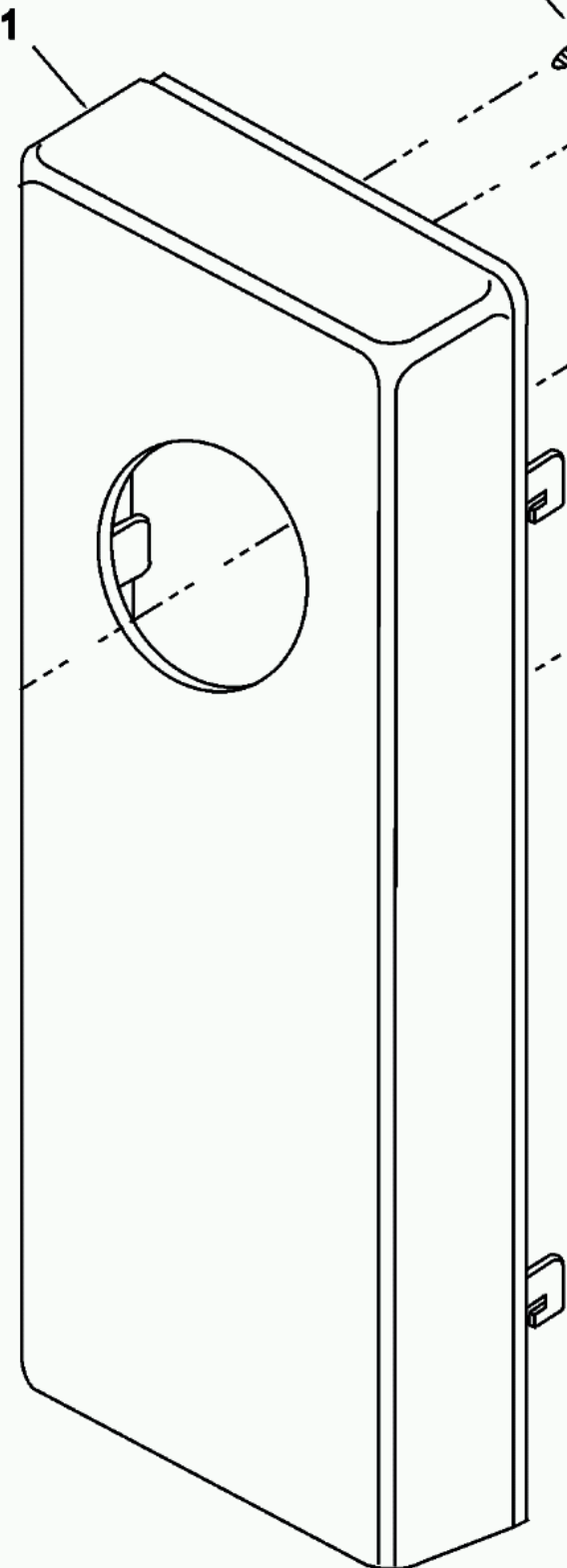
+7(812)987-08-81



Зип Общепит

vsezip.ru

+7(812)987-08-81



| Seite | Pos | Kredtor Artikel Nr. | GB                             |
|-------|-----|---------------------|--------------------------------|
| 001   | 001 | R0654183            | SCREW, TRUSS HD                |
| 001   | 002 | R0654036            | SCREW, TRUSS HD S/TAP          |
| 001   | 003 | 53001549            | WRAPPER, GRAY                  |
| 001   | 004 | 53001550            | COVER, LAMP- GRAY              |
| 001   | 005 | 53001609            | SCREW                          |
| 001   | 006 | 53001551            | PANEL, BACK                    |
| 001   | 007 | 53001610            | GASKET                         |
| 001   | 008 | R0654180            | SCREW, PAN HD                  |
| 001   | 009 | 53001552            | MOTOR, ANTENNA                 |
| 001   | 010 | 12002451            | KIT, ANTENNA - W/RIVETS        |
| 001   | 011 | 53001554            | RIVET ASSY                     |
| 001   | 012 | 53001555            | TRAY, CERAMIC                  |
| 001   | 013 | R0131246            | SCREW, TAPPING TRUSS HEAD      |
| 001   | 014 | 59001235            | SUCTION CUP- FOR TRAY REMOVAL  |
| 001   | 015 | 53001619            | BRACKET, STACKING              |
| 002   | 001 | 53001625            | PLATE, BASE- W/COVER & GASKETS |
| 002   | 002 | 53001626            | GASKET, BASE- SIDE             |
| 002   | 003 | R0654036            | SCREW, TRUSS HD S/TAP          |
| 002   | 004 | 53001627            | GASKET, BASE- FRONT            |
| 002   | 005 | 53001628            | COVER, BASE                    |
| 002   | 006 | R0131246            | SCREW, TAPPING TRUSS HEAD      |
| 002   | 007 | 53001571            | FILTER, AIR- W/THUMB SCREW     |
| 002   | 008 | 53001629            | SCREW                          |
| 003   | 001 | 53001543            | CAP, TOP HINGE                 |
| 003   | 002 | 53001608            | COVER, CHOKE                   |
| 003   | 003 | 13066801            | WINDOW, INNER                  |
| 003   | 004 | 53001778            | WELD, INNER DOOR               |
| 003   | 005 | 53001544            | OUTER DOOR ASSY, GRY           |
| 003   | 006 | 12002453            | KIT, HANDLE                    |
| 003   | 007 | 53001546            | SCREW, HANDLE SIDE             |
| 003   | 008 | 53001547            | SCREW, HANDLE BOTTOM           |
| 003   | 009 | R0654030            | SCREW, PAN HD S/TAP            |
| 003   | 010 | 53001779            | LATCH                          |
| 003   | 011 | R0654180            | SCREW, PAN HD                  |
| 003   | 012 | 53001780            | SPRING                         |
| 003   | 013 | R0131246            | SCREW, TAPPING TRUSS HEAD      |
| 004   | 001 | 53001617            | HARNESS, MAIN                  |
| 004   | 002 | 53001556            | ANTENNA SHIELD                 |
| 004   | 003 | 53001610            | GASKET                         |
| 004   | 004 | 53001557            | LAMP                           |
| 004   | 005 | 53001558            | LAMP RECEPTACLE / BRACKET ASSY |
| 004   | 006 | R0654030            | SCREW, PAN HD S/TAP            |
| 004   | 007 | 53001561            | THERMAL CUTOUT- CAVITY         |
| 004   | 008 | R0131246            | SCREW, TAPPING TRUSS HEAD      |
| 004   | 009 | 53001559            | DUCT, OUTLET-TOP               |
| 004   | 010 | R0131307            | NLA- SCREW, TAPPING,PAN HEAD   |
| 004   | 011 | 53001643            | BRACKET, THERMOSTAT            |
| 004   | 012 | R0654183            | SCREW, TRUSS HD                |
| 004   | 013 | 53001620            | DEFLECTOR, AIR                 |
| 004   | 014 | 53001562            | POWER CORD                     |
| 004   | 015 | R0654028            | SCREW, BINING HD S/TAP         |
| 004   | 016 | 53001621            | COVER, POWER CORD              |
| 004   | 017 | 53001563            | DUCT, MAIN                     |
| 004   | 018 | 53001462            | SCREW, PAN HEAD                |
| 004   | 019 | M0805106            | FUSE, 10 A                     |
| 004   | 020 | 53001564            | FUSE BLOCK / FILTER ASSY       |
| 004   | 021 | R0654180            | SCREW, PAN HD                  |
| 004   | 022 | 53001565            | FILTER ASSEMBLY                |
| 004   | 023 | R0131296            | MAGNETRON                      |
| 004   | 024 | 53001622            | BRACKET                        |
| 004   | 025 | 53001623            | NLA- BRACKET, CAPACITOR        |
| 004   | 026 | 53001566            | CAPACITOR, .95.                |
| 004   | 027 | R9800486            | DIODE                          |
| 004   | 028 | 53001624            | HARNESS, TRANSFORMER PRIMARY   |
| 004   | 029 | 53001567            | TRANSFORMER, HV                |
| 004   | 030 | 53001568            | BASE, TRANSFORMER              |
| 004   | 031 | 53001569            | BLOWER MOTOR ASSY              |
| 004   | 032 | 53001570            | GUIDE, AIR                     |
| 004   | 033 | 53001560            | THERMAL CUTOUT, MAG            |

Зип-Общепит

vsezip.ru

+7(812)987-08-81

| Seite | Pos | Kredtor Artikel Nr. | GB                     |
|-------|-----|---------------------|------------------------|
| 004   | 034 | 53001601            | SWITCH, INTERLOCK ASSY |
| 005   | 001 | 53001548            | ESCUTCHEON             |
| 005   | 002 | R0654178            | SCREW, SPECIAL D       |
| 005   | 003 | 59001182            | NLA- KNOB              |
| 005   | 004 | 59001191            | TIMER                  |
| 005   | 005 | R0654183            | SCREW, TRUSS HD        |

Зип Общепит

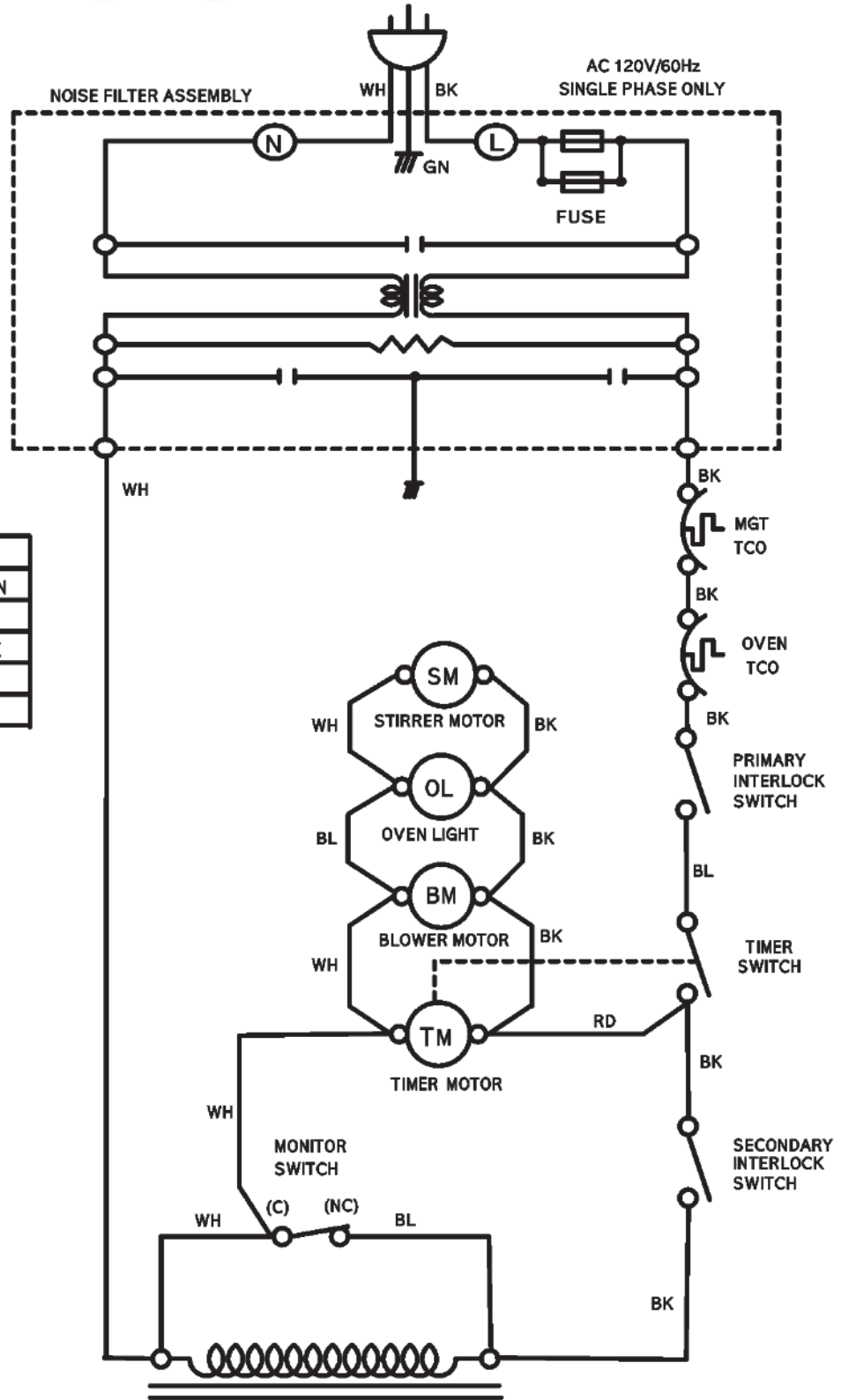
vsezip.ru

+7(812)987-08-81

# Зип Ощепит

vsezip.ru

+7(812)987-08-81



NOTE:  
1.DOOR IS OPENED.  
2.WIRE COLOR.

| SYMBOL | COLOR |
|--------|-------|
| BN     | BROWN |
| WH     | WHITE |
| BK     | BLACK |
| BL     | BLUE  |
| RD     | RED   |

