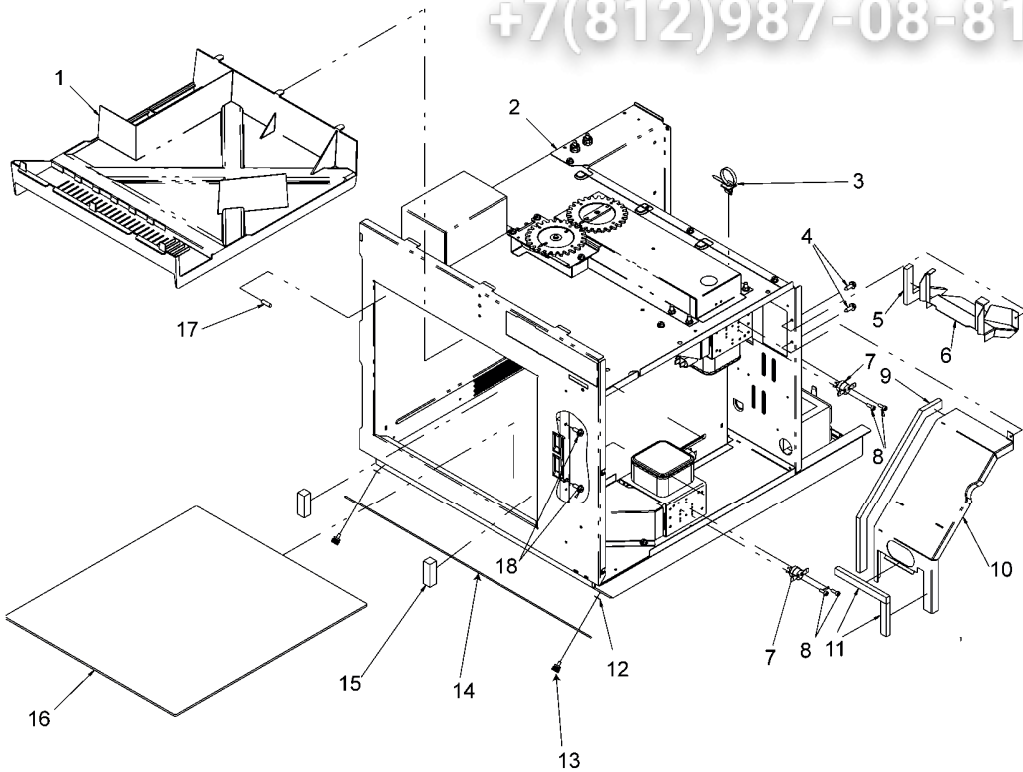


Зип Общепит

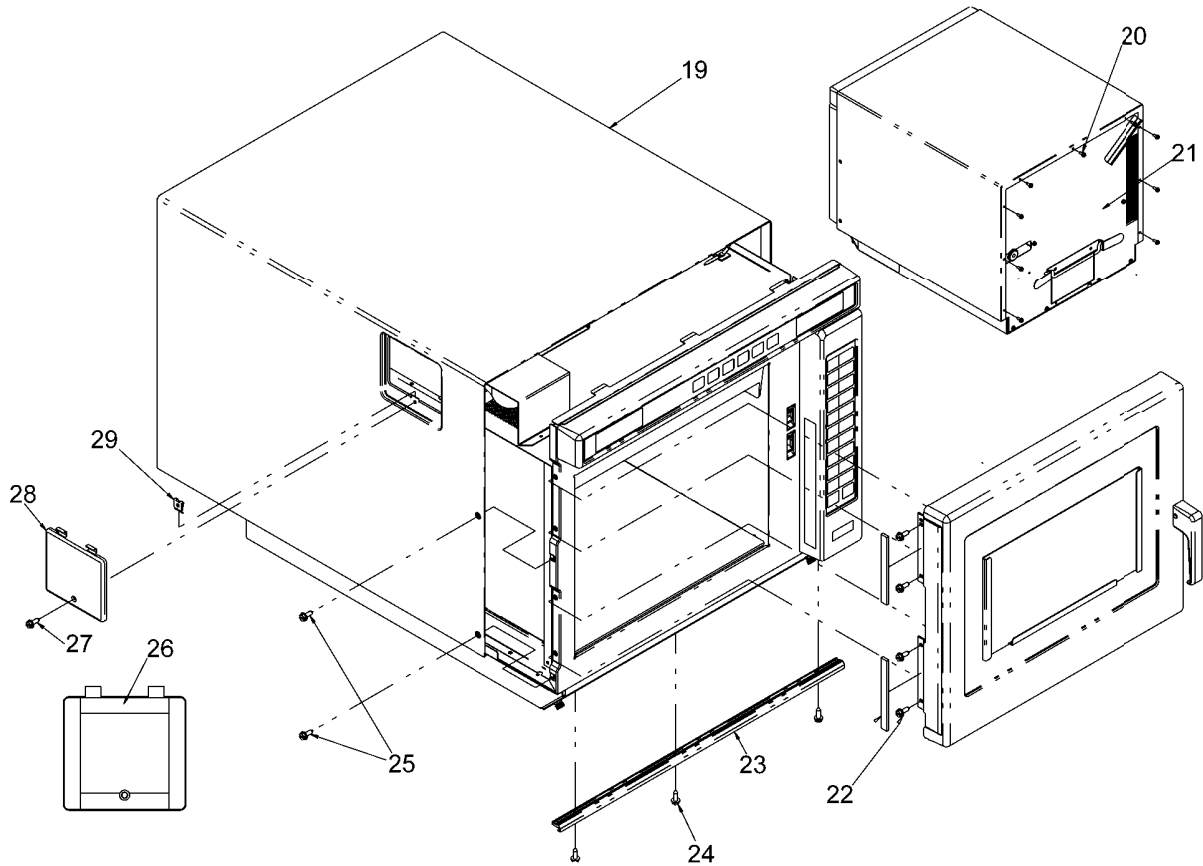
vsezip.ru

**GREASE SHIELD / AIR FILTER**

+7(812)987-08-81



**WRAPPER / REAR PANEL**

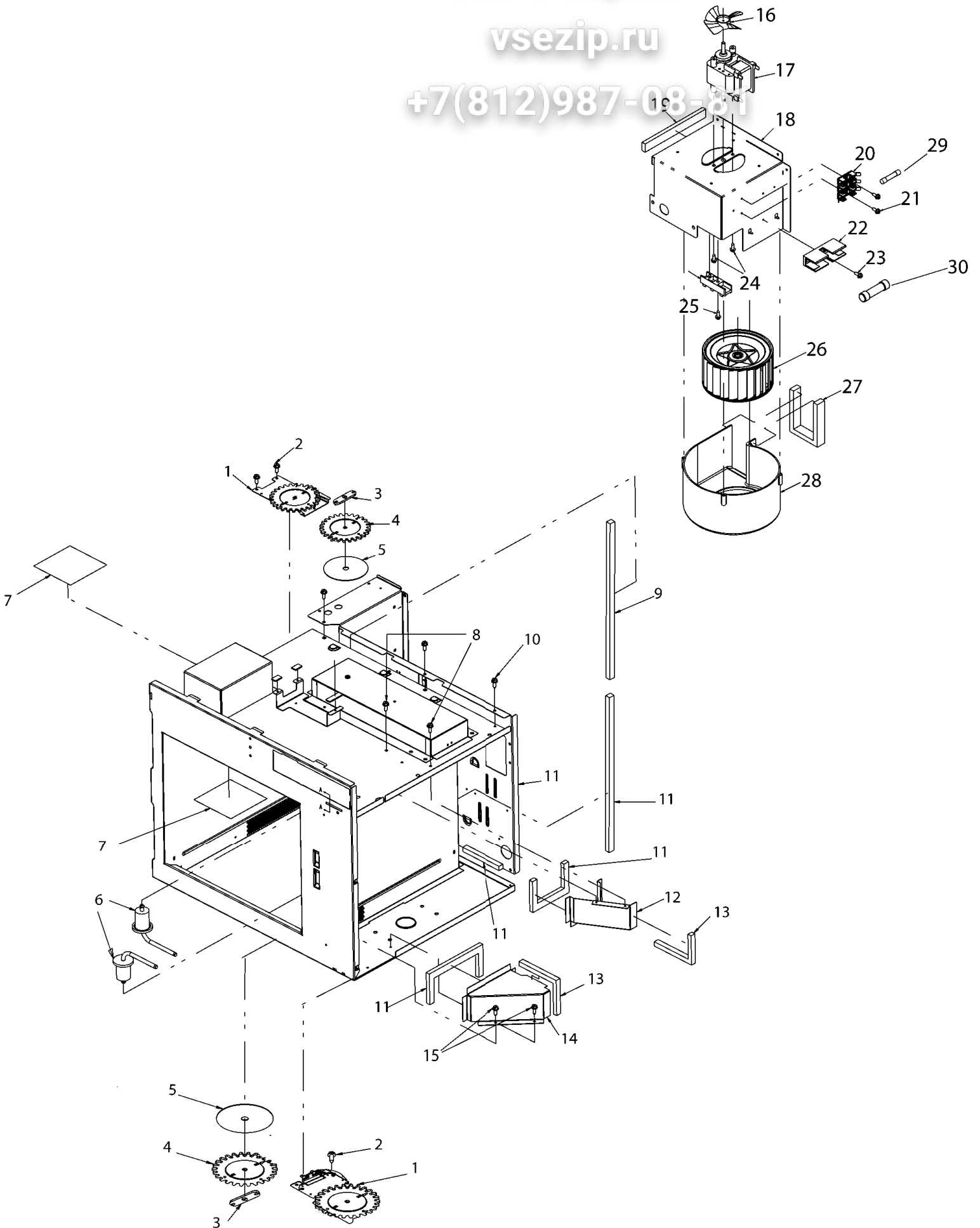


# ANTENNAS / BLOWER / FUSE BLOCK / DUCTS

Всёzip.ru

vsezip.ru

+7(812)987-08-81

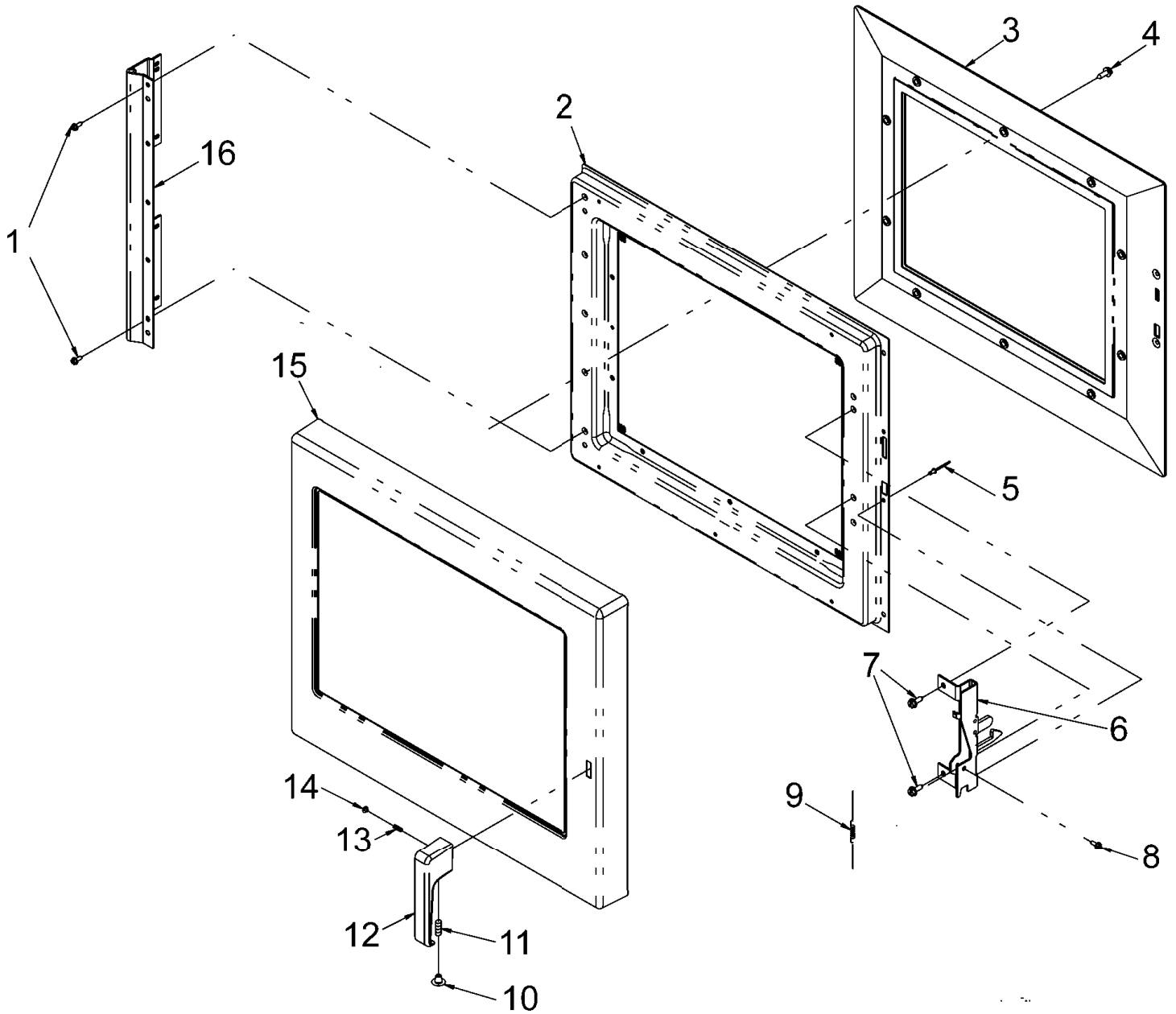


# DOOR / DOOR HANDLE

0110640111

vsezip.ru

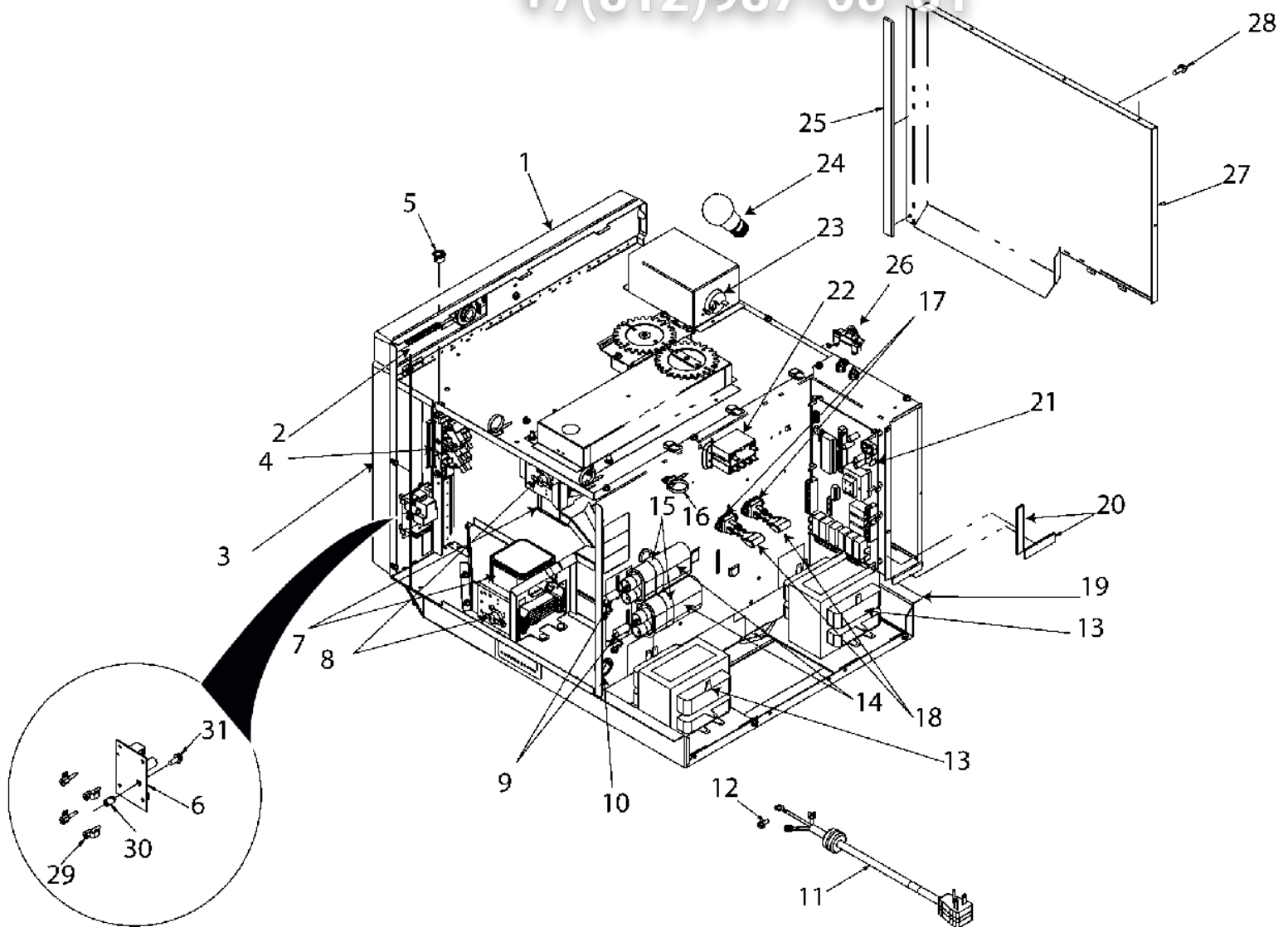
+7(812)987-08-81



# ELECTRICAL COMPONENTS

vsezip.ru

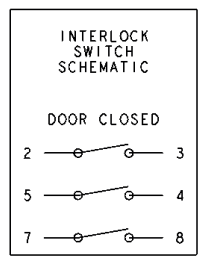
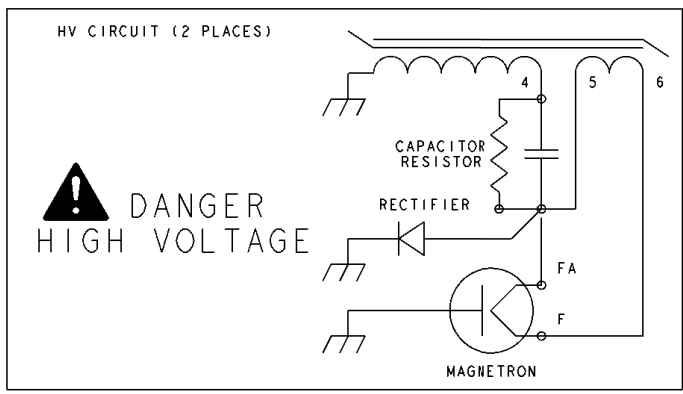
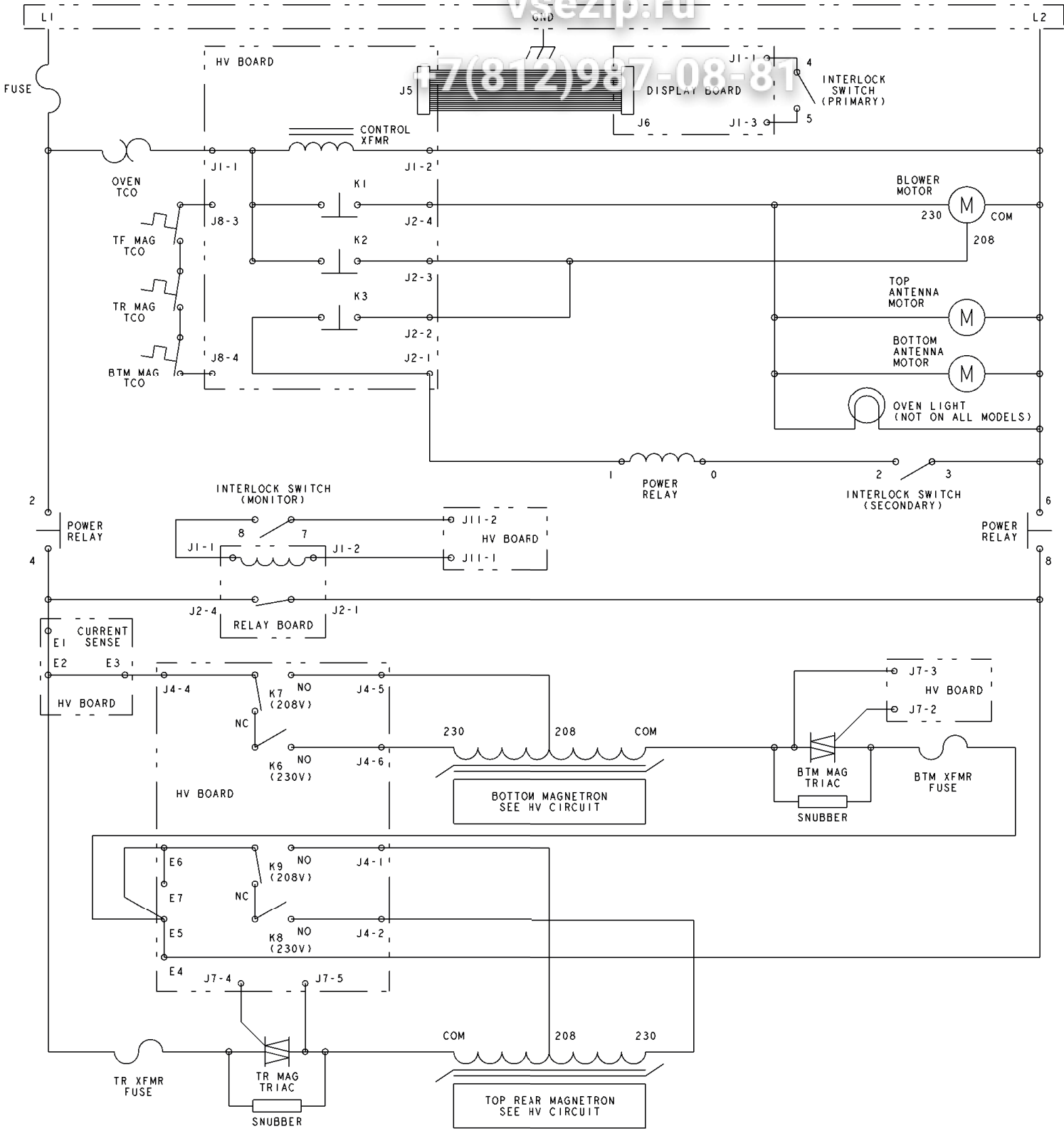
+7(812)987-08-81



# WIRING INFORMATION

SCHEMATIC CONDITION: DOOR OPEN

208/230V 60Hz 3-WIRE



Seite	Pos	Kreditor Artikel Nr.	GB
001	001	59004008	ANTENNA SHIELD
001	002	M0325401	BUSHING-TERMINAL
001	003	M0322202	TIE-WIRE
001	004	12990522	SCREW-SM/HEX RoHS
001	005	59004077	GASKET, PER FT
001	006	10989501	DIVIDER-REAR FLOW
001	007	B5684130	THERMAL CUTOUT
001	008	12990522	SCREW-SM/HEX RoHS
001	009	59004077	GASKET, PER FT
001	010	10989401	DIVIDER-BTM FLOW
001	011	59002162	GASKET, PER FT
001	012	M0274066	WASHER-NYLON
001	013	13042901	SCREW-THUMB RoHS
001	014	10853102	GRILLE-AIR INLET
001	015	3010003001	STANDOFF-POLY
001	016	R0156942	KIT, CERAMIC TRAY W/SEALER
001	017	M0308801	CAP-SCREW
001	018	12990523	SCREW-SM/HEX RoHS
001	019	10908901Q	WRAPPER- STAINLESS
001	020	12990525	SCREW-SM/HEX RoHS
001	021	R0156970	PANEL, ACCESS- REAR
001	022	12990526	SCREW-SM/HEX RoHS
001	023	10909001	TRIM
001	024	13042002	SCREW-TF/OVAL RoHS
001	025	13042002	SCREW-TF/OVAL RoHS
001	026	59002162	GASKET, PER FT
001	027	13042002	SCREW-TF/OVAL RoHS
001	028	10785608	COVER-LIGHT
001	029	M0288213	CLIP
002	001	R0130263	MOTOR, ANTENNA (230V)
002	002	M0231704	SCREW, TF
002	003	12570202	RETAINER, GEAR SHAFT
002	004	12570101	GEAR-SPUR
002	005	10903002	WASHER-SPUR GEAR
002	006	R0130262	KIT, ANTENNA
002	007	B8367701	WINDOW-OVEN LIGHT
002	008	M0200316	SCREW
002	009	10966601	GASKET-NEOPRENE
002	010	M0200316	SCREW
002	011	59002162	GASKET, PER FT
002	012	10989201	DUCT-TOP EXHAUST
002	013	59002162	GASKET, PER FT
002	014	10989401	DIVIDER-BTM FLOW
002	015	12990525	SCREW-SM/HEX RoHS
002	016	B5706704	BLADE, FAN
002	017	59114158	MOTOR, BLOWER
002	018	12567707	BRACKET, BLOWER
002	019	59002162	GASKET, PER FT
002	020	59001682	BLOCK, FUSE- 3 POLE
002	021	12990523	SCREW-SM/HEX RoHS
002	022	10091101	BLOCK-FUSE
002	023	M0234117	SCREW
002	024	M0234117	SCREW
002	025	M0234117	SCREW
002	026	C3670809	WHEEL-BLOWER
002	027	59002162	GASKET, PER FT
002	028	12552001	SCROLL, BLOWER
002	029	M0805102	FUSE-15A
002	030	14119056	KIT, FUSE & RELAY BOARD
002	030	M0805205	FUSE-30A
003	001	12990525	SCREW-SM/HEX RoHS
003	002	59002013	WELD, DOOR RING
003	003	59002015	INNER DOOR ASSY (NO SCREWS)
003	004	M1260218	SCREW - HI LO Y DRIVE
003	005	A4539601	RIVET, POP
003	006	12002757	KIT, LATCH- RC CHASSIS
003	007	12992304	SCREW-TF/HEX RoHS
003	008	12992302	SCREW-TF/HEX RoHS
003	009	C8893506	SPRING-DOOR LATCH

Зип-Общепит

vsezip.ru

+7(812)987-08-81

Seite	Pos	Kredtor Artikel Nr.	GB
003	010	M0310305	PLUG-WHITE BUTTON
003	011	M0208342	SCREW, SET
003	012	59004023	KIT, HANDLE & SCREWS
003	013	13046901	SCREW-SET/CONE RoHS
003	014	12360703	PLUG-HOLE
003	015	R0156918	OUTER DOOR/LENS RETAINER ASSY
003	016	59004034	HINGE, DOOR
004	001	59104130	TOUCH PANEL ASSY- TOP
004	002	59104126	BOARD, DISPLAY
004	003	59104129	TOUCH PANEL ASSY- SIDE
004	004	59114157	SWITCH, INTERLOCK ASSY
004	005	12164102	GROMMET, RUBBER
004	006	59002117	BOARD, RELAY MONITOR
004	007	59004010	MAGNETRON
004	008	B5684130	THERMAL CUTOUT
004	009	13091701	DIODE
004	010	A3293506	BUSHING - SNAP
004	011	59002112	POWER CORD
004	012	12991609	SCREW-TC/HEX
004	013	59001626	TRANSFORMER, HV
004	014	59001160	CAPACITOR- .69
004	015	A4055405	STRAP-CAPACITOR
004	016	M0322202	TIE-WIRE
004	017	R0157373	KIT, TRIAC
004	018	59002017	SNUBBER ASSY
004	019	59001130	BASEPAN & GASKET ASSY
004	020	59004077	GASKET, PER FT
004	021	59004070	BOARD, HV-RC
004	022	59001981	RELAY
004	023	B8371401	RECEPTACLE-LAMP
004	024	59002101	LAMP (40W-250V)
004	025	59004077	GASKET, PER FT
004	026	B5795315	CUTOUT - THERMAL
004	026	13041505	SCREW-TF/PAN
004	027	10781901	DUCT-EXHAUST
004	028	M0200316	SCREW
004	029	M0590602	SUPPORT
004	030	M0800603	SUPPORT-PCB
004	031	12991607	SCREW-TC/HEX RoHS
005	001	20001136	NON-MAGNETIC Y-DRIVE BIT
005	003	13095501	HARNESS - INTERLOCK
005	005	12696001	HARNESS, HI VOLT
005	006	10901303	WIRE-JUMPER
005	007	12543401	HARNESS-OVEN LT
005	008	12002483	KIT, CAVITY- 2 TUBE "S" CHASSIS

