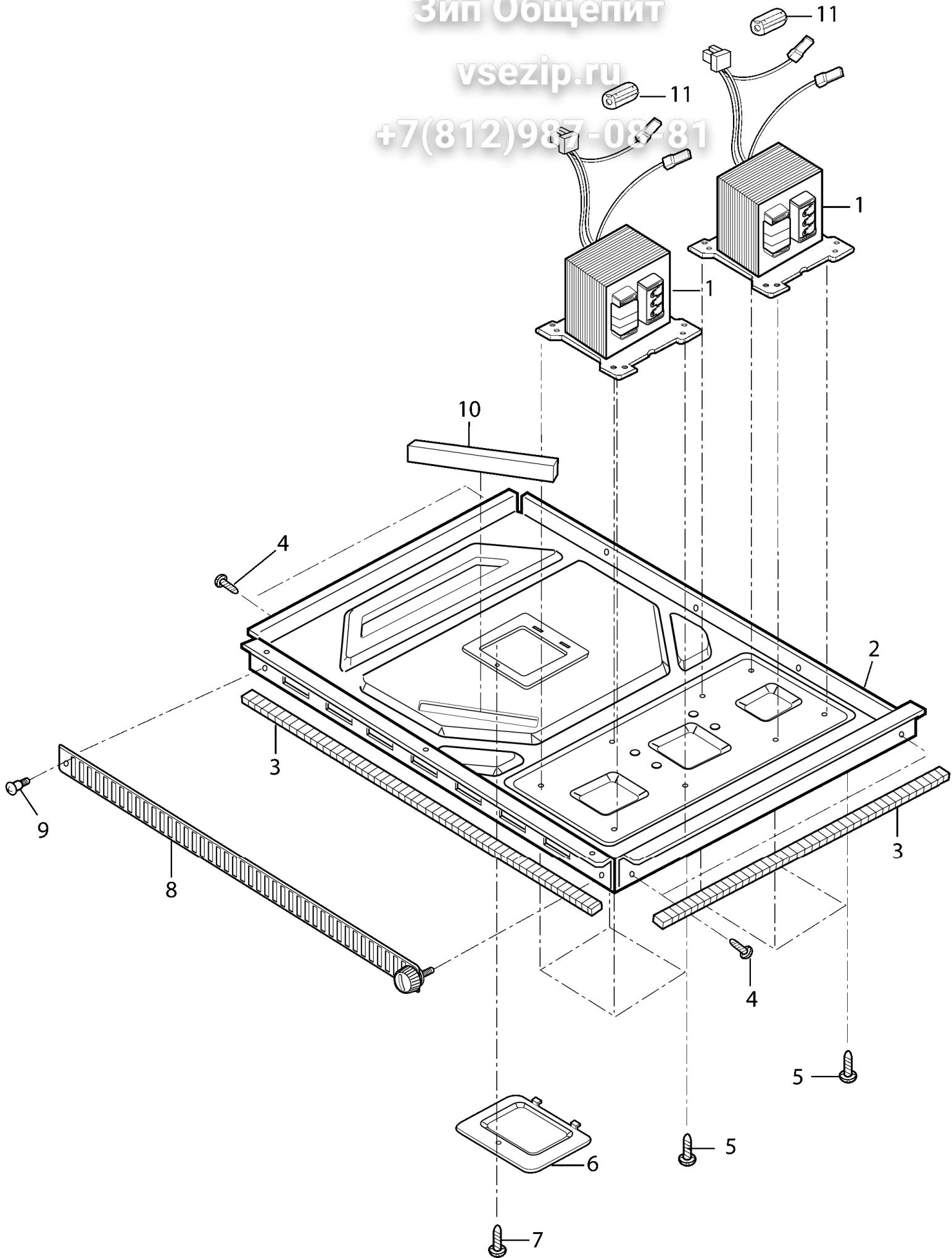


BASE

Зип Общепит

vsezip.ru

+7(812)987-08-81

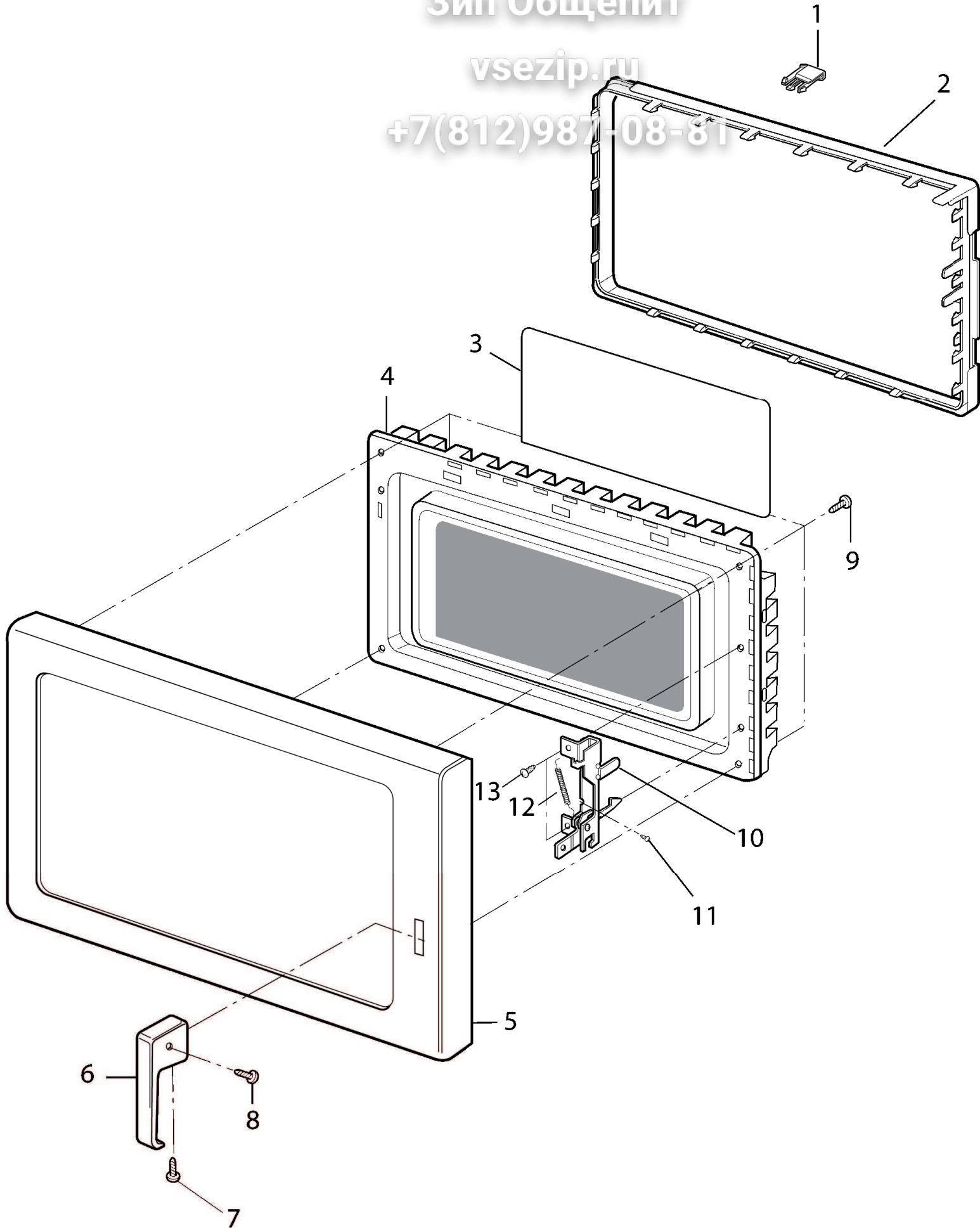


DOOR

Зип Общепит

vsezip.ru

+7(812)987-08-81

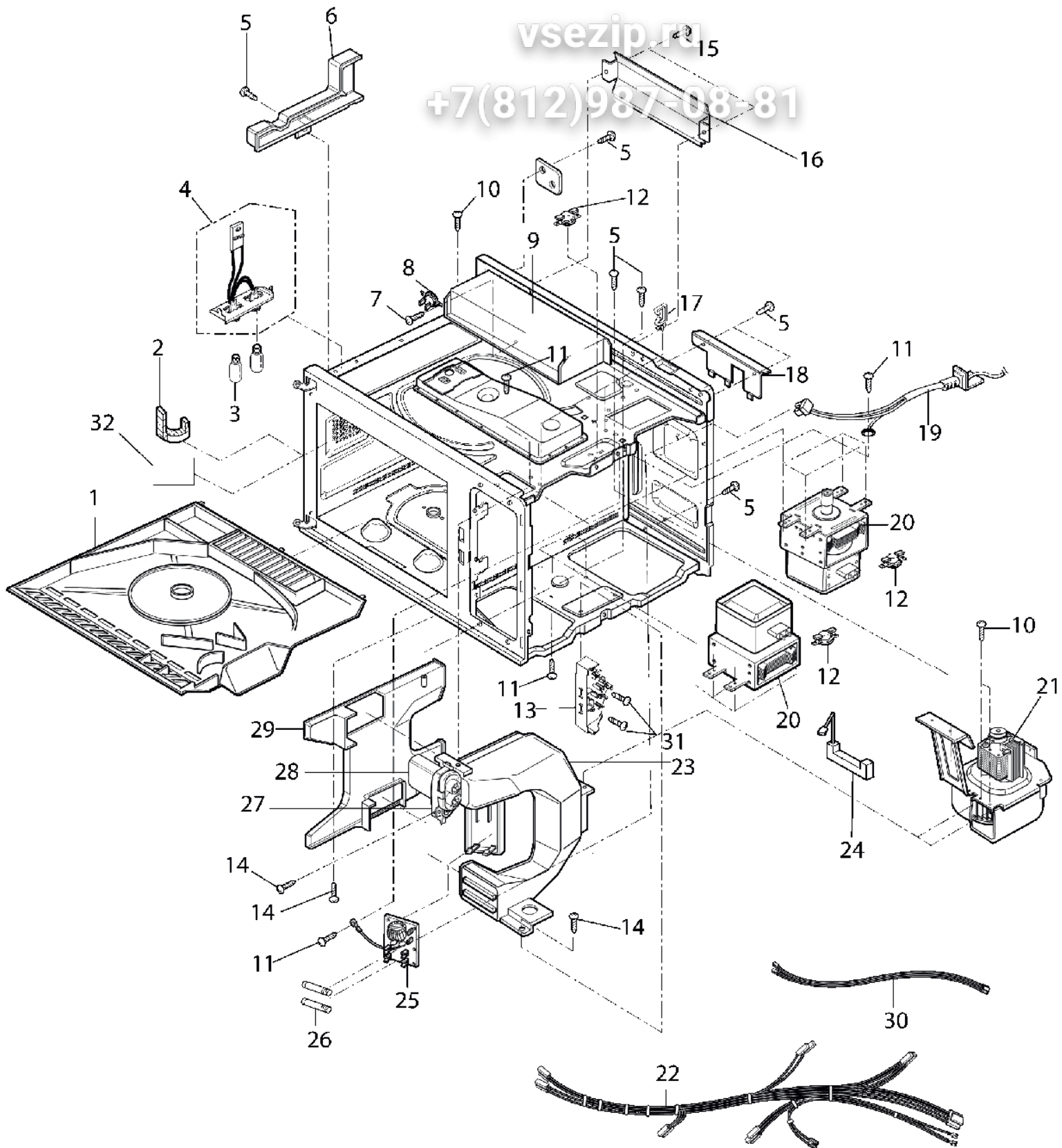


INTERIOR

тип 00цепит

vsezip.ru

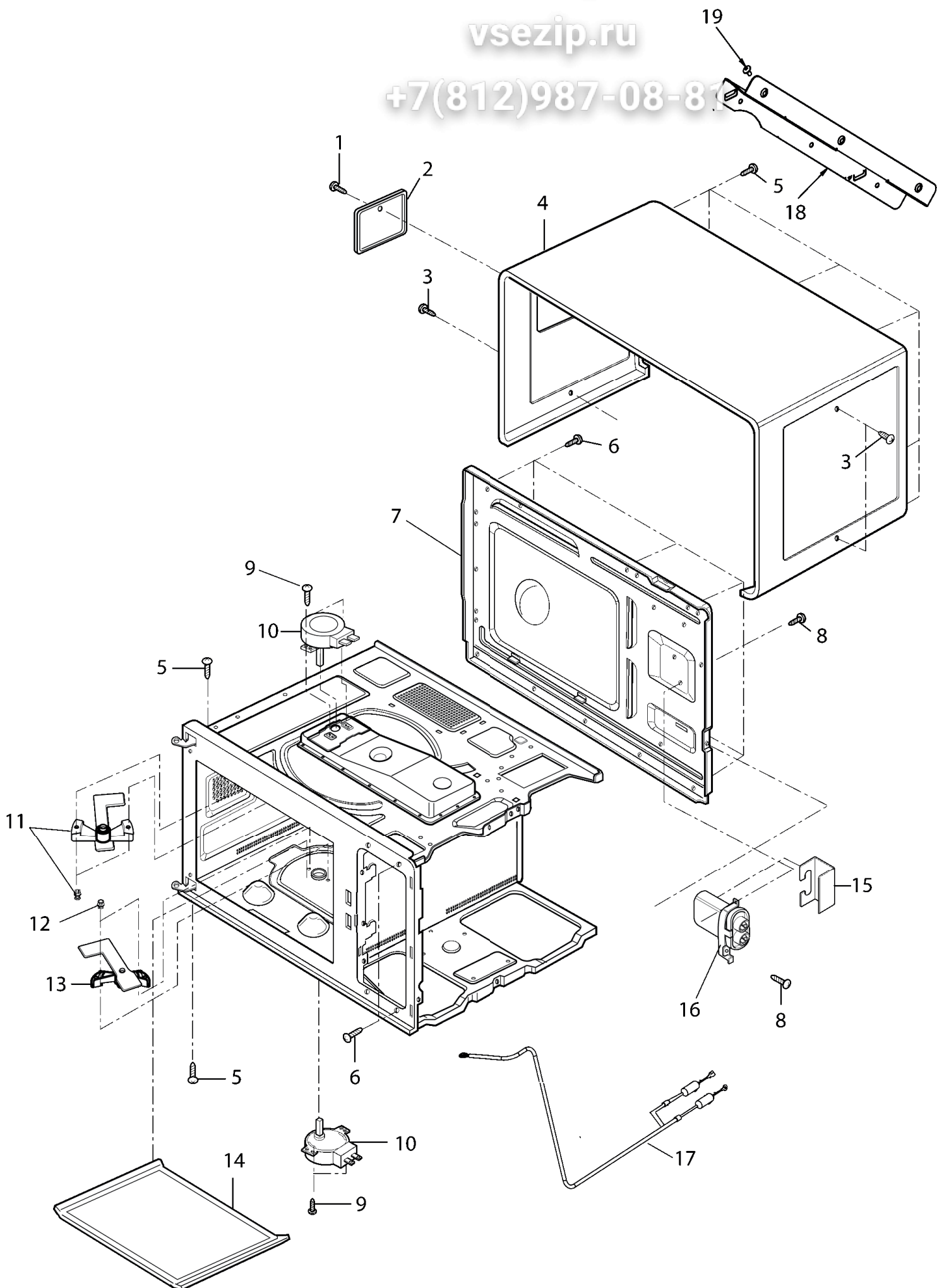
+7(812)987-08-81



OVEN CAVITY

vsezip.ru

+7(812)987-08-87

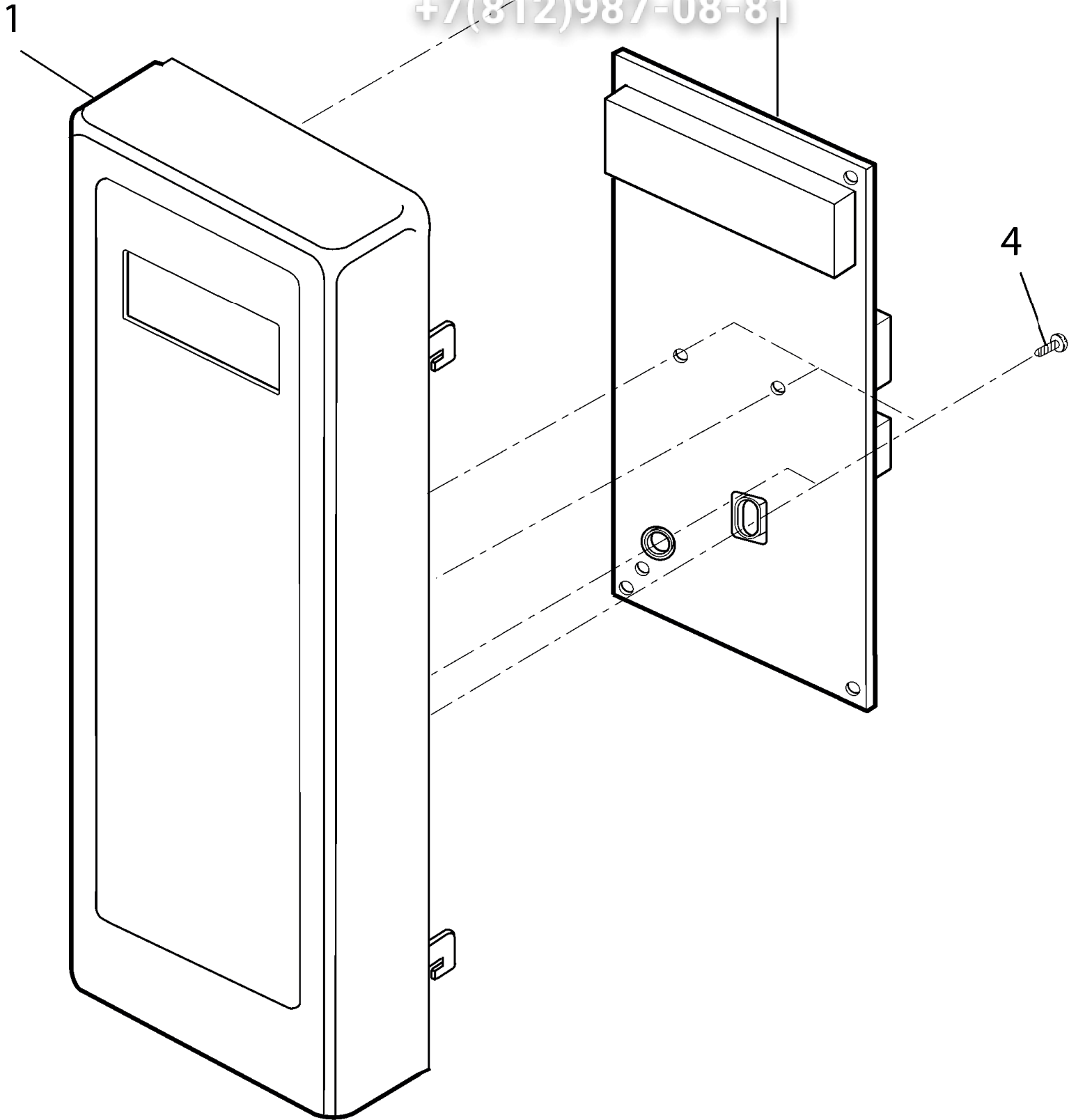


TOUCH PANEL

Зип Общепит

vsezip.ru

+7(812)987-08-81



Seite	Pos	Kredtor Artikel Nr.	GB
001	001	54116056	TRANSFORMER, HV
001	002	53001625	PLATE, BASE- W/COVER & GASKETS
001	003	R0000413	GASKET, BASEPAN - 90 in (228 cm)
001	004	54116021	SCREW
001	005	54116029	SCREW
001	006	53001628	COVER, BASE
001	007	54116029	SCREW
001	008	53001571	FILTER, AIR- W/THUMB SCREW
001	009	53001629	SCREW
001	010	53001734	CUSHION
001	011	54116051	TOROID
002	001	53001543	CAP, TOP HINGE
002	002	53002013	COVER, CHOKE
002	003	13066801	WINDOW, INNER
002	004	53002018	WELD, INNER DOOR
002	005	54116003	OUTER DOOR ASSY- MM
002	006	12002453	KIT, HANDLE
002	007	59002164	SCREW, HANDLE BOTTOM
002	008	59002163	SCREW, HANDLE SIDE
002	009	54116024	SCREW
002	010	53001779	LATCH
002	011	R0654180	SCREW, PAN HD
002	012	53001780	SPRING
002	013	54116038	SCREW
003	001	53002003	ANTENNA SHIELD
003	002	53001610	GASKET
003	003	54116028	LAMP
003	004	53001591	LAMP SOCKET / BRACKET ASSY
003	005	54116021	SCREW
003	006	53001592	DUCT, EXHAUST- LEFT
003	007	54116025	SCREW
003	008	53001817	THERMAL CUTOUT, CAVITY
003	009	53001559	DUCT, OUTLET-TOP
003	010	54116021	SCREW
003	011	54116029	SCREW
003	012	54116023	THERMAL CUTOUT, MAG
003	013	53002056	SWITCH, INTERLOCK ASSY
003	014	54116029	SCREW
003	015	54116031	SCREW
003	016	53001620	DEFLECTOR, AIR
003	017	B5667304	CLIP-WIRE
003	018	53001621	COVER, POWER CORD
003	019	53001593	POWER CORD
003	020	53002025	MAGNETRON
003	021	53001595	BLOWER MOTOR ASSEMBLY
003	022	54116046	HARNESS, MAIN
003	023	53001727	DUCT, MAG.
003	024	54116050	FUSE-HV
003	025	53001596	FUSE BLOCK / FILTER ASSY
003	026	M0805105	FUSE-12A
003	027	53001728	BRACKET, CAPACITOR, FRONT
003	028	54116053	CAPACITOR, .91
003	029	54116016	DUCT, EXHAUST- RIGHT
003	030	54116048	HARNESS, MAG TCO
003	031	54116017	SCREW
003	032	13066801	WINDOW, INNER
004	001	53001609	SCREW
004	002	53001579	COVER, LAMP- SS
004	003	54116031	SCREW
004	004	53001577	WRAPPER- SS
004	005	54116021	SCREW
004	006	54116021	SCREW
004	007	54116018	BACK-OVEN
004	008	54116021	SCREW
004	009	54116037	SCREW
004	010	59001625	MOTOR, ANTENNA
004	011	12002592	KIT, ANTENNA- TOP
004	012	54116064	RIVET ASSY
004	013	12002593	KIT, ANTENNA- BOTTOM

Seite	Pos	Kredtor Artikel Nr.	GB
004	014	53002009	TRAY, CERAMIC
004	015	53002031	INSULATOR
004	016	53001724	BRACKET, CAPACITOR, BACK
004	017	54116030	DIODE HARNESS
004	018	54116033	DEFLECTOR, AIR
004	019	A4539637	RIVET, POP
005	001	54116011	ESC/TOUCH PANEL ASSY- MM
005	002	54116017	SCREW
005	003	54116042	BOARD, HV/LV
005	004	54116044	SCREW

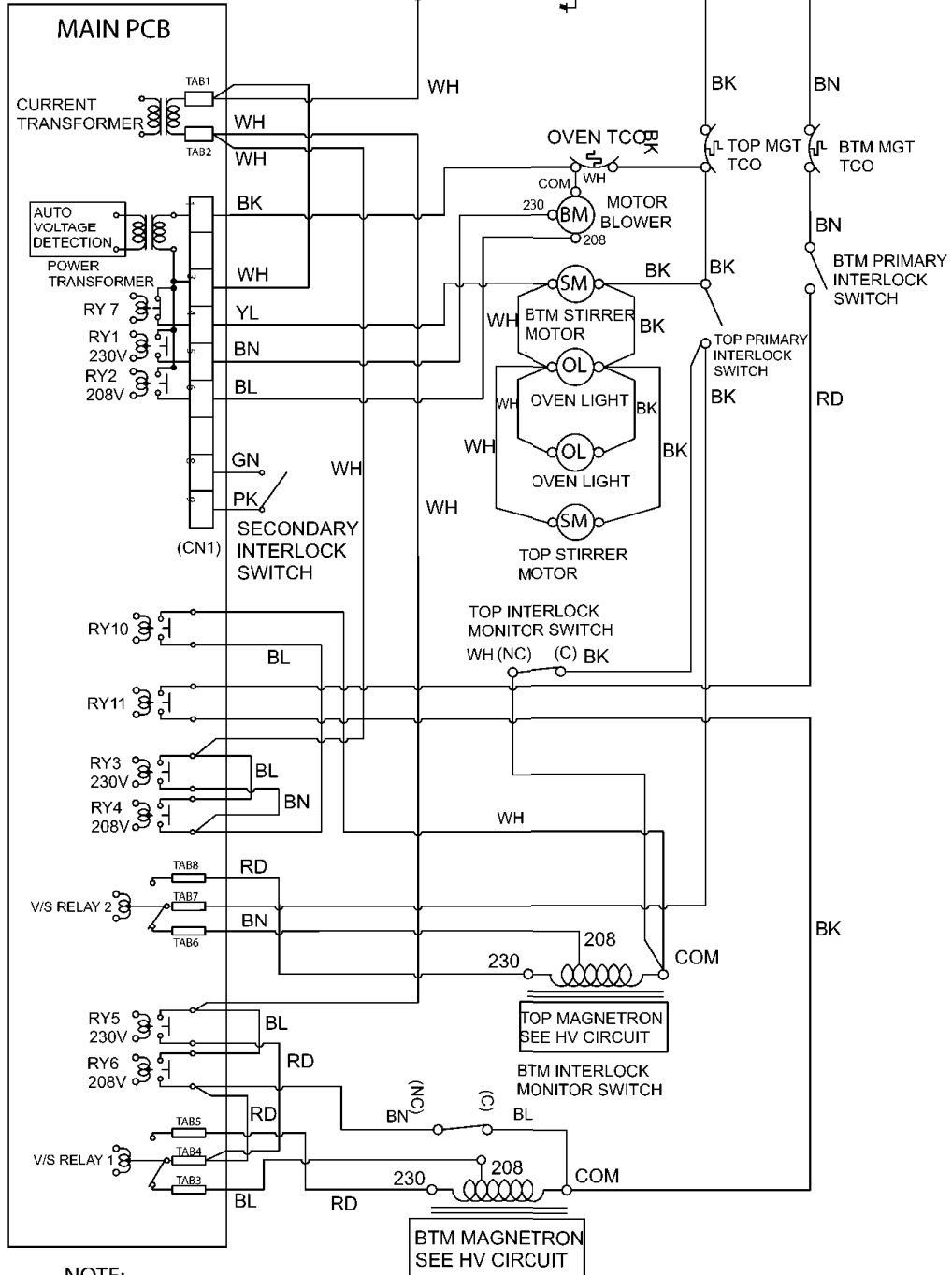
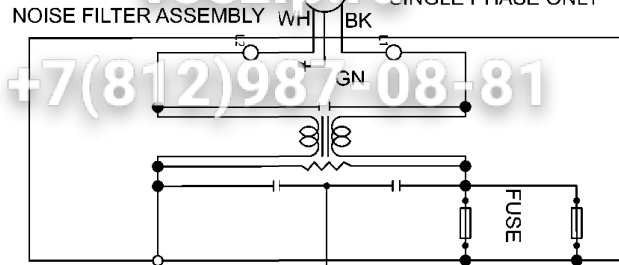
Зип Общепит

vsezip.ru

+7(812)987-08-81

WIRING DIAGRAM

AC 208/220-240V/60Hz
SINGLE PHASE ONLY



- NOTE:
- 1.DOOR IS OPENED.
 - 2.WIRE COLOR

SYMBOL	COLOR
BN	BROWN
WH	WHITE
BK	BLACK
BL	BLUE
YL	YELLOW
PK	PINK
RD	RED
GN	GREEN

