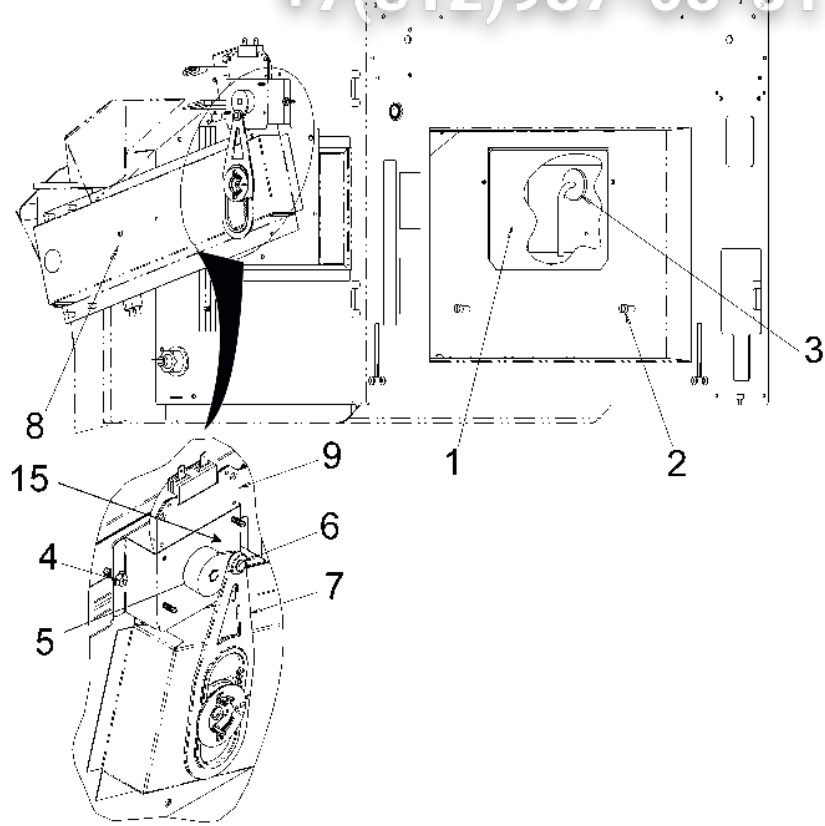


Зип Ощепит

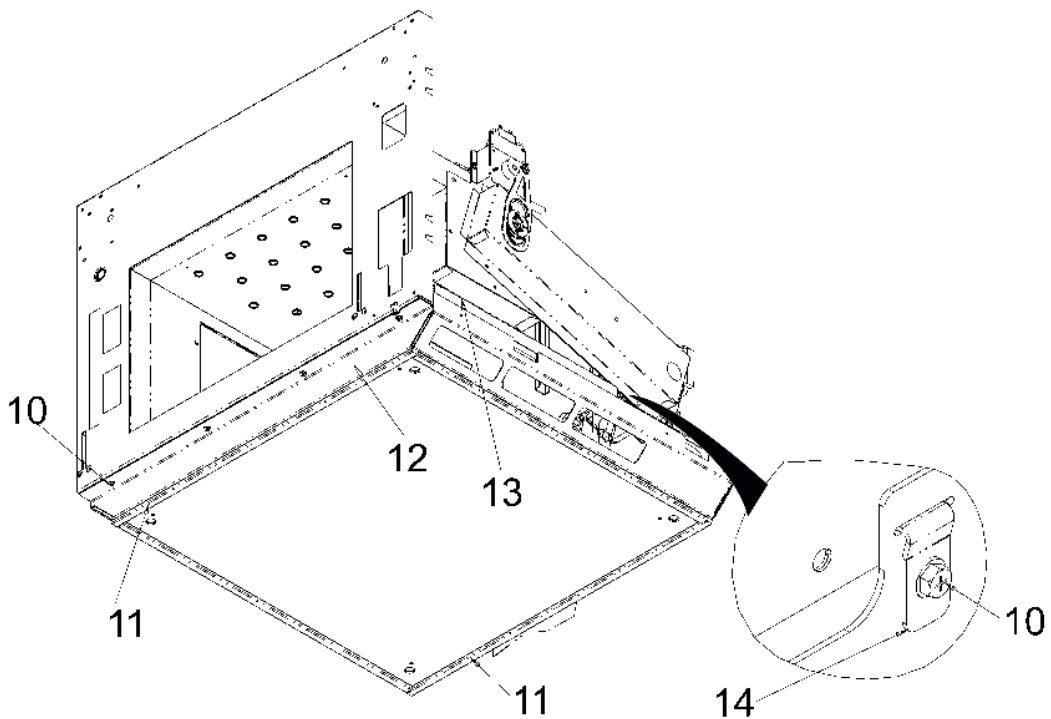
vsezip.ru

ANTENNA

+7(812)987-08-81



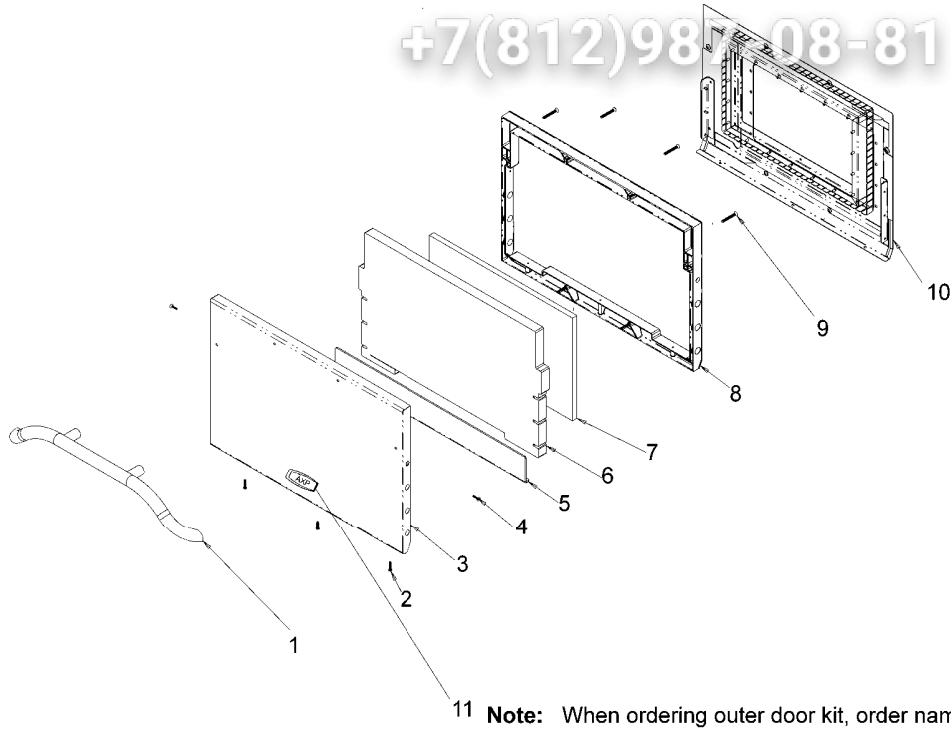
BASEPAN



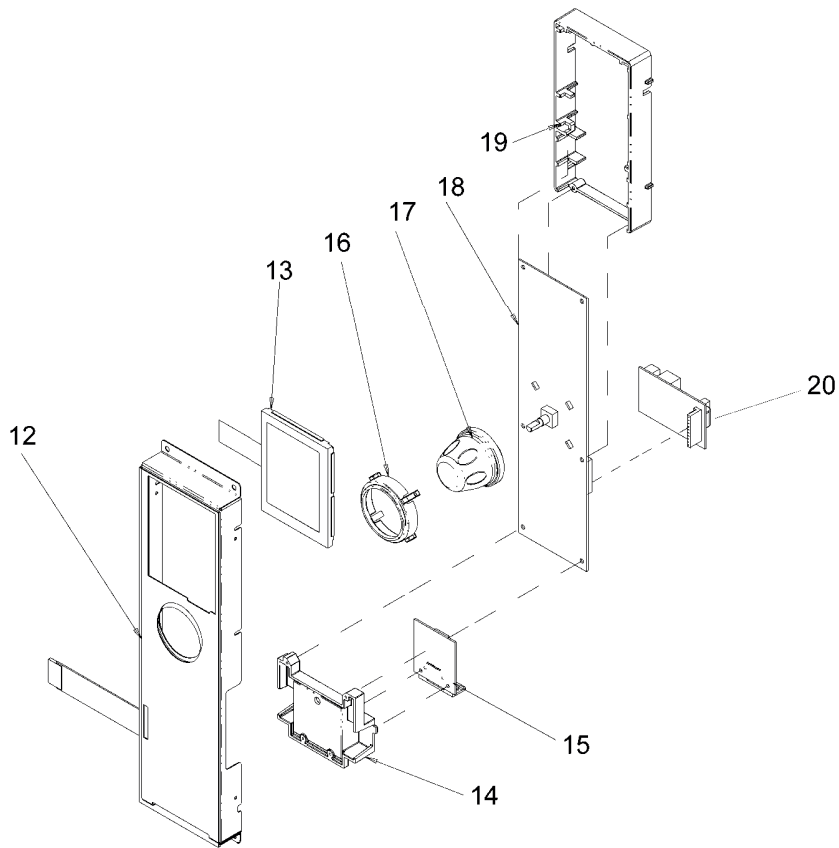
Зип Общепит

DOOR ASSEMBLY

+7(812)981-08-81



CONTROL ASSEMBLY

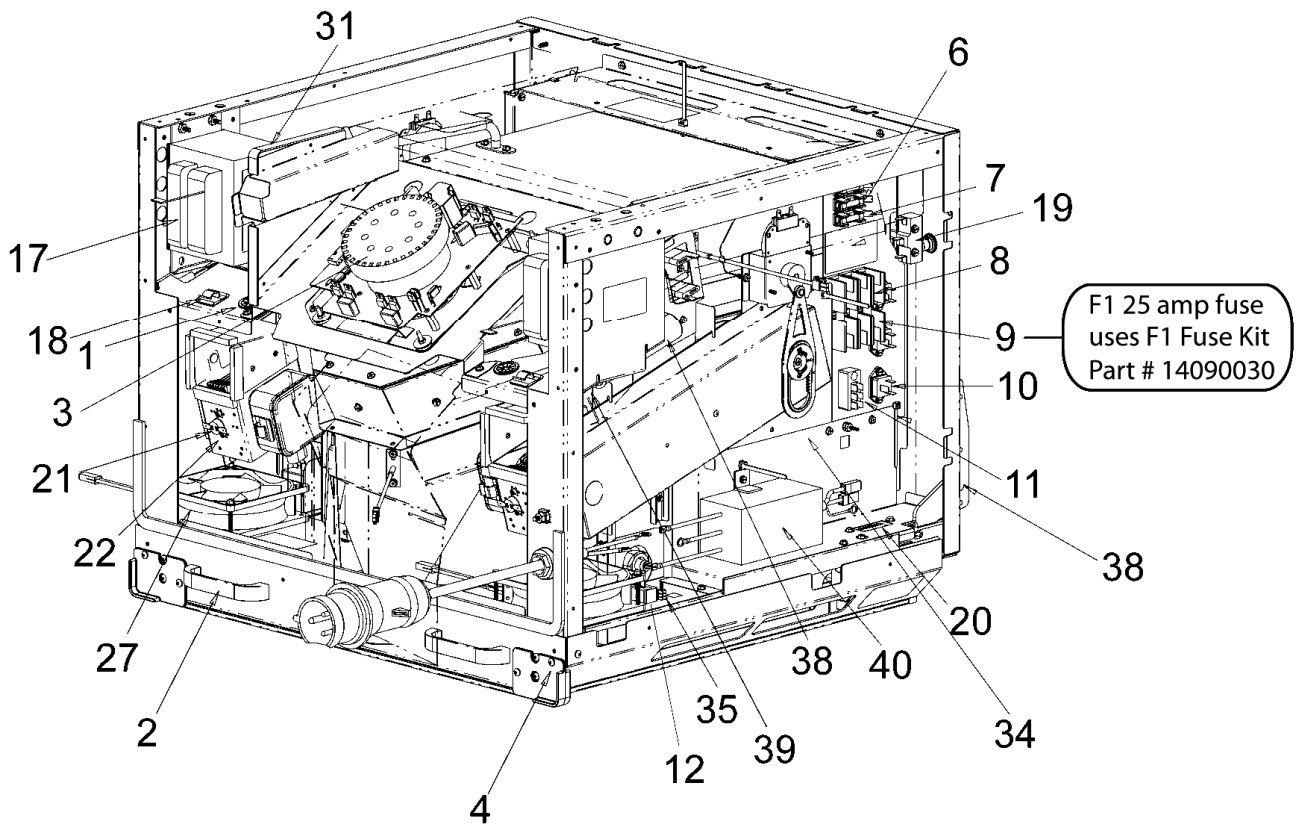
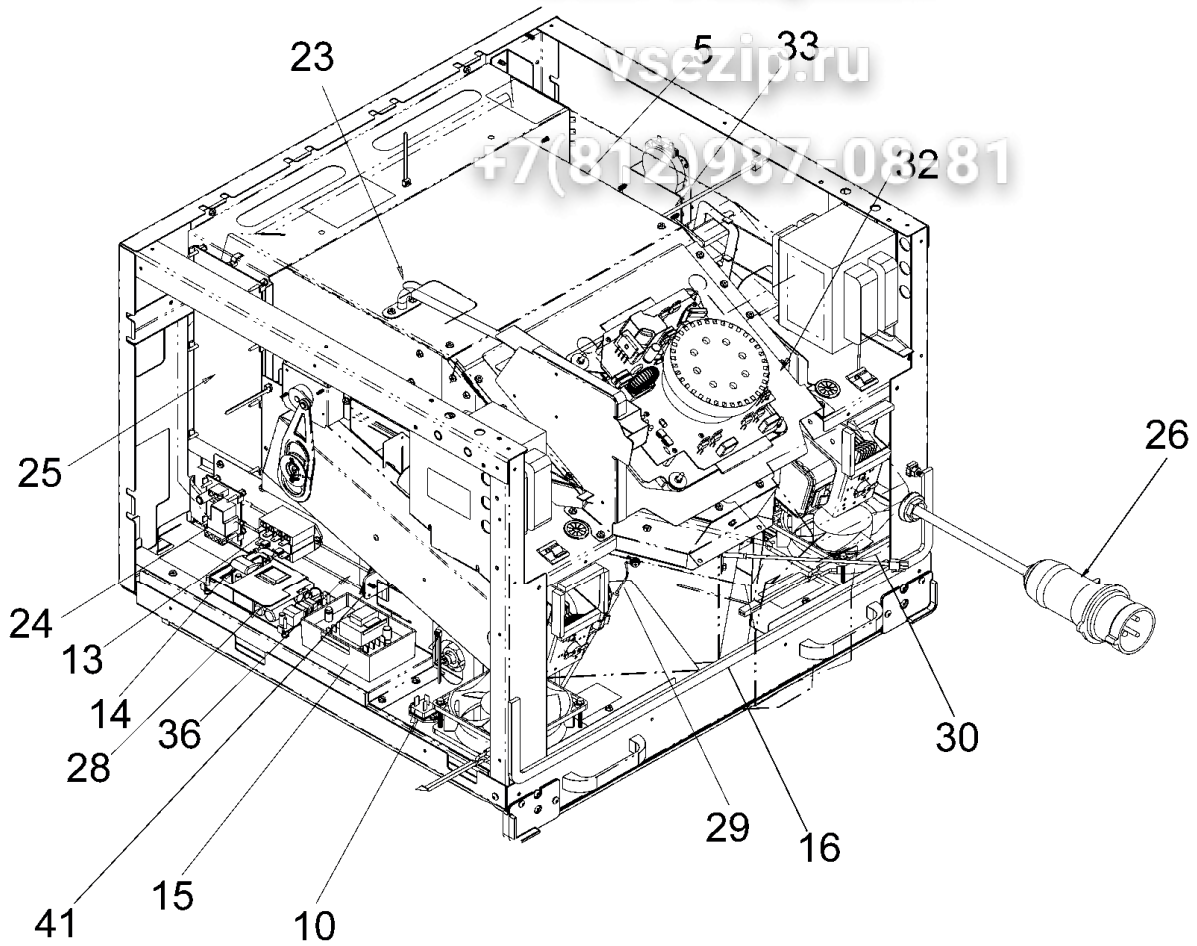


ELECTRICAL, SWITCHES, CONVECTION BLOWER

Зип Общепит

vsezip.ru

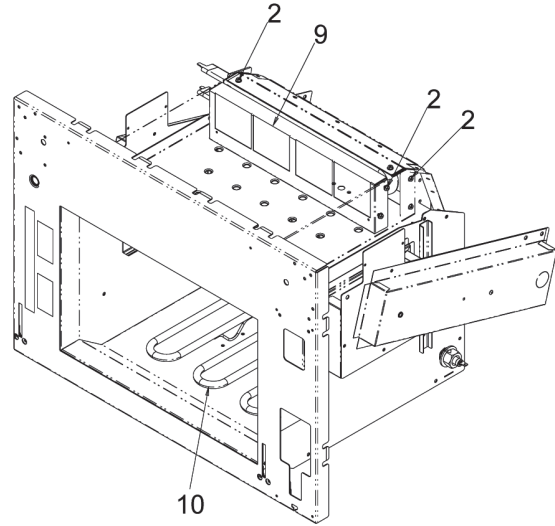
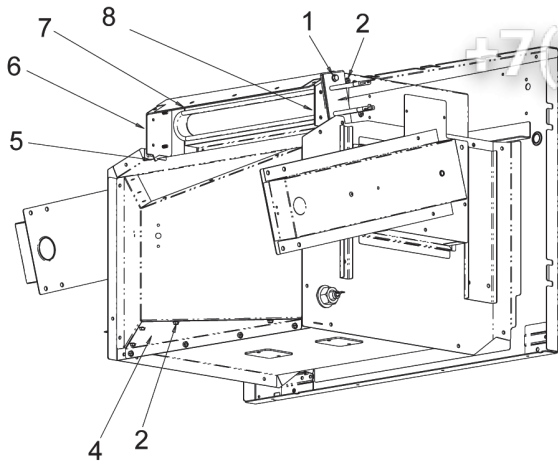
+7(812)987-08281



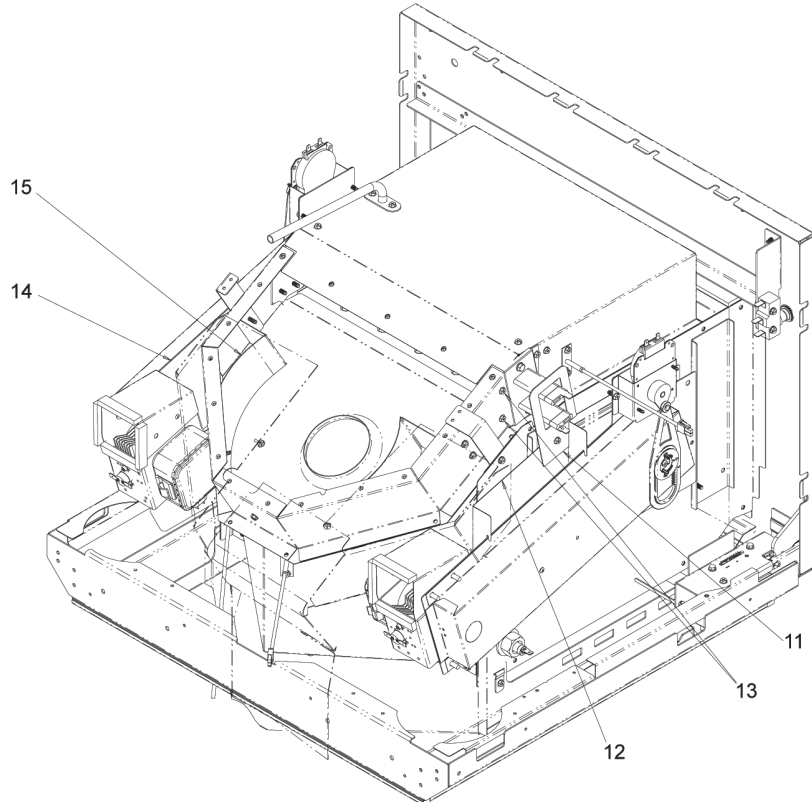
Зип Ощепит

HEATERS.ru

+7(812)987-08-81



FAN BOX

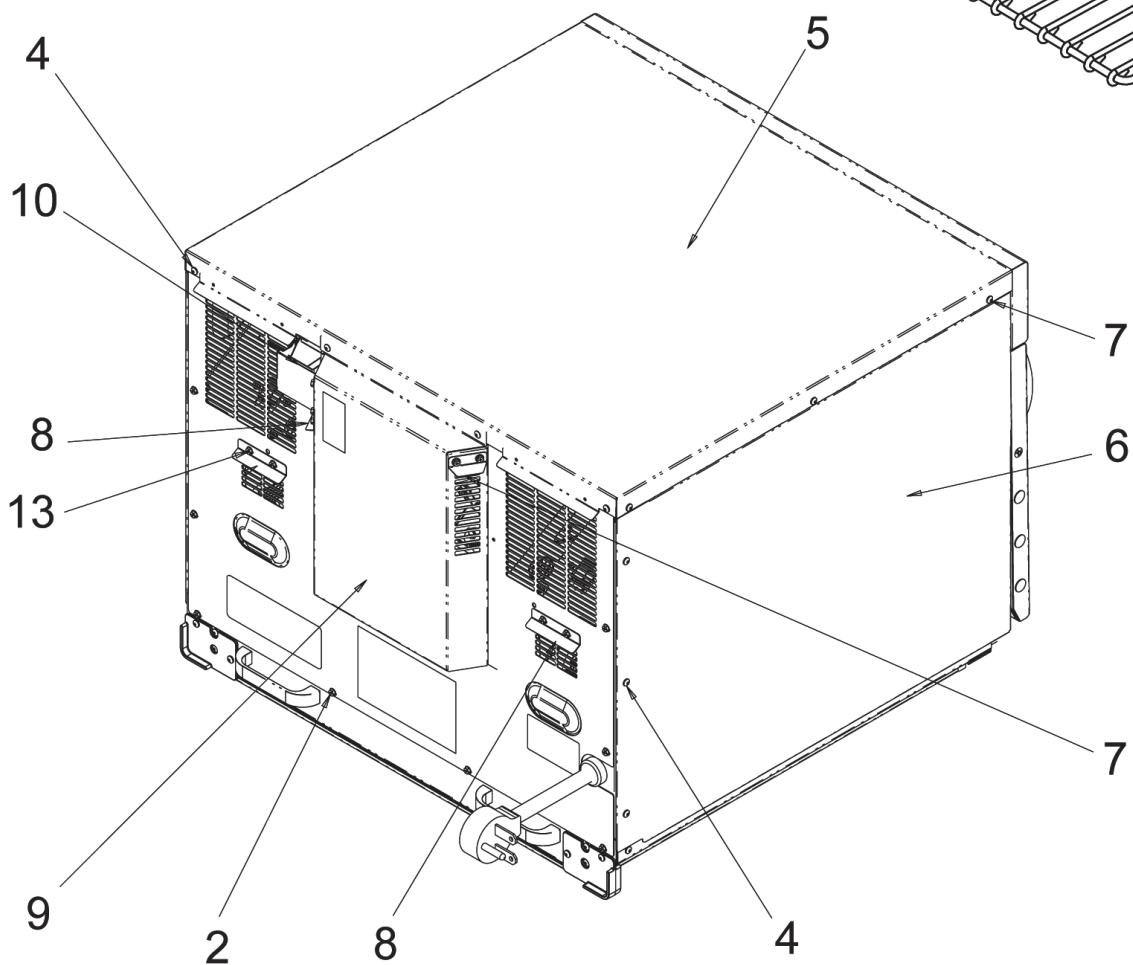
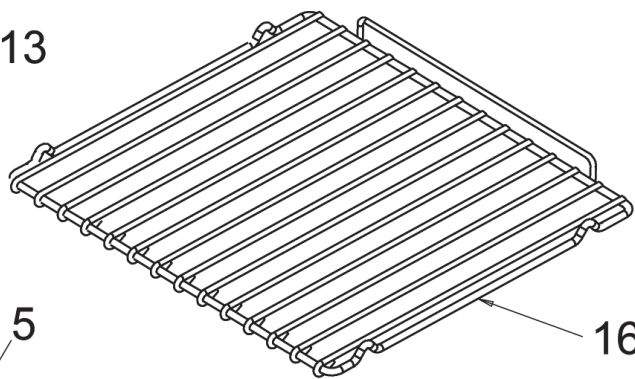
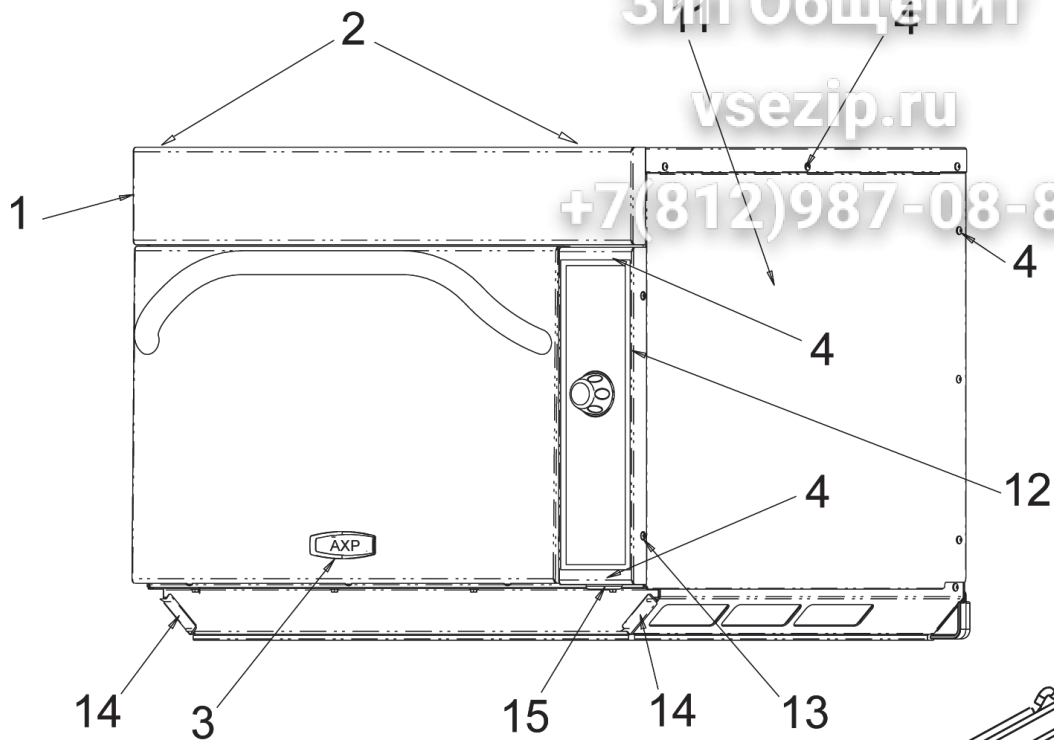


OUTERCASE

Зип Общепит

vsezip.ru

+7(812)987-08-81



| Seite | Pos | Kredtor Artikel Nr. | GB |
|-------|-----|---------------------|-----------------------------------|
| 001 | 001 | 14080004 | KIT, STIRRER COVER |
| 001 | 002 | 13079101 | SCREW-MACH/SHLD RoHS |
| 001 | 003 | 14080002 | KIT, ANTENNA & STIRRER COVER- AXP |
| 001 | 004 | 12991605 | SCREW |
| 001 | 005 | 12002872 | KIT, CAM (FOR ANTENNA MOTOR) |
| 001 | 006 | 13083701 | RIVET, NYLON |
| 001 | 007 | 12002867 | KIT, GEAR & RACK |
| 001 | 008 | 14080001 | KIT, TUNING STUB - AXP |
| 001 | 009 | 12002873 | KIT, STIRRER MOTOR |
| 001 | 010 | 12991605 | SCREW |
| 001 | 011 | R0000413 | GASKET, BASEPAN - 90 in (228 cm) |
| 001 | 012 | 59004037 | BASEPAN & GASKET ASSY |
| 001 | 013 | 13097801 | INSUL-HINGE |
| 001 | 014 | 13072801 | KEY-CAVITY EXPANSION |
| 001 | 015 | 21006802 | BRKT-ANTENNA MOTOR |
| 002 | 001 | 59002142 | HANDLE, DOOR |
| 002 | 002 | 13041504 | SCREW-TR/PAN RoHS |
| 002 | 003 | 14080015 | KIT, OUTER DOOR |
| 002 | 004 | 13083601 | SCREW-HI LO/FLAT RoHS |
| 002 | 005 | 13096101 | INSUL-OUTER DOOR |
| 002 | 006 | 13074301 | INSUL-DOOR |
| 002 | 007 | 13094201 | INSUL-DOOR CHOKE |
| 002 | 008 | 13074201 | SPACER-DOOR |
| 002 | 009 | 13047403 | SCREW-TC/FLAT RoHS |
| 002 | 010 | 14080014 | KIT, INNER DOOR |
| 002 | 011 | 13079803 | NAMEPLATE-AXP |
| 002 | 012 | 59002149 | TOUCH PANEL ASSY |
| 002 | 013 | 12002877 | KIT, DISPLAY TOUCH SCREEN |
| 002 | 014 | 13079601 | HOLDER, DATA KEY |
| 002 | 015 | 59002095 | BOARD,DATA KEY |
| 002 | 016 | 59002135 | COLLAR, KNOB |
| 002 | 017 | 59002134 | KNOB, CONTROL |
| 002 | 018 | 59004082 | BOARD, DISPLAY |
| 002 | 019 | 59002115 | HOLDER, CONTROL |
| 002 | 020 | 14080003 | KIT, FILTER BOARD |
| 003 | 001 | M0571003 | BUSHING-SNAP |
| 003 | 002 | 13095701 | HANDLE, BASEPAN |
| 003 | 003 | 59002076 | CONVECTION MOTOR ASSY |
| 003 | 004 | 13086601 | BARRIER, RECIRCULATION |
| 003 | 005 | 13084601 | INSUL-TOP/SIDES CAVITY |
| 003 | 006 | 59001682 | BLOCK, FUSE- 3 POLE |
| 003 | 007 | M0805105 | FUSE-12A |
| 003 | 008 | 10091101 | BLOCK-FUSE |
| 003 | 009 | M0805201 | FUSE-25A |
| 003 | 009 | 14090030 | KIT, F1 FUSE- AXP & MXP |
| 003 | 010 | 59002026 | TRIAC (40A) |
| 003 | 011 | B5677215 | BLOCK, TERMINAL |
| 003 | 012 | B5677214 | BLOCK - TERMINAL |
| 003 | 013 | 59001981 | RELAY |
| 003 | 014 | 59002017 | SNUBBER ASSY |
| 003 | 015 | 59002133 | LIMITER, ELECTRONIC |
| 003 | 016 | A3030330 | GASKET, PER FT |
| 003 | 017 | 59004041 | TRANSFORMER, HV |
| 003 | 018 | M0104106 | CLIP-CORD |
| 003 | 019 | 59002121 | SWITCH, PRIMARY INTERLOCK |
| 003 | 020 | 59002122 | INTERLOCK SWITCH ASSY |
| 003 | 021 | B5684130 | THERMAL CUTOUT |
| 003 | 022 | 59001484 | MAGNETRON |
| 003 | 023 | 13078001 | VENT, CAVITY STEAM |
| 003 | 024 | 59002117 | BOARD, RELAY MONITOR |
| 003 | 025 | 59004107 | BOARD, MAIN CONTROL |
| 003 | 026 | 20029001 | POWER CORD |
| 003 | 027 | 59002132 | MOTOR, FAN (24V DC) |
| 003 | 028 | 59002118 | BOARD, POWER SUPPLY (24V DC) |
| 003 | 029 | B5795317 | THERMAL CUTOUT, CAVITY |
| 003 | 030 | 59001709 | SENSOR, TEMP |
| 003 | 031 | M0275058 | TAPE-FOAM (ROLL) |
| 003 | 032 | 13081001 | INSUL RETAINER WELD |
| 003 | 033 | 12990524 | SCREW-SM/HEX RoHS |

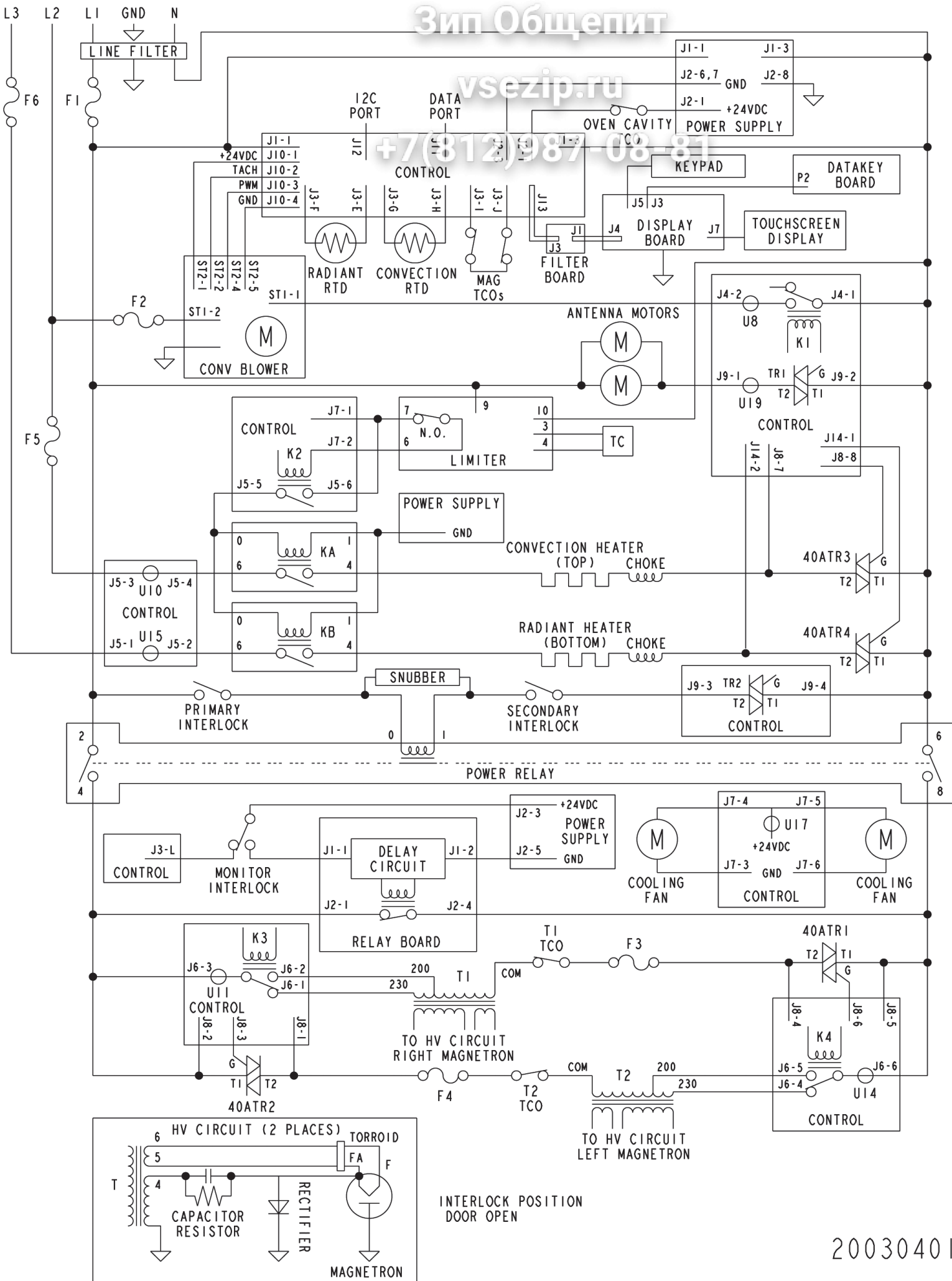
| Seite | Pos | Kredtor Artikel Nr. | GB |
|-------|-----|---------------------|-------------------------|
| 003 | 034 | 13082802 | PLATE-LH FRNT PARTITION |
| 003 | 035 | M0293511 | STUD 6 |
| 003 | 036 | 13097601 | PLATE-RH FRNT PARTITION |
| 003 | 037 | 59002141 | HINGE |
| 003 | 038 | 59004052 | CAPACITOR- 1.15 |
| 003 | 039 | 59002123 | DIODE |
| 003 | 040 | 12930001 | FILTER, LINE |
| 003 | 041 | 59001211 | THERMAL CUTOUT, CAVITY |
| 003 | 042 | 20030701 | RELAY |
| 004 | 001 | 12992403 | SCREW-TR/HEX |
| 004 | 002 | 12991609 | SCREW-TC/HEX |
| 004 | 003 | 59002125 | ELEMENT, CONVECTION-TOP |
| 004 | 004 | 13072301 | BOTTOM-RETURN PLENUM |
| 004 | 005 | 13077701 | GASKET-PLENUM NOZZLE |
| 004 | 006 | 13076501 | PLATE-PLENUM RH |
| 004 | 007 | 13076401 | PLATE-PLENUM TOP |
| 004 | 008 | 13076601 | PLATE-PLENUM LH |
| 004 | 009 | 13076301 | CONVERTER - CATALYTIC |
| 004 | 010 | 12002874 | KIT, BOTTOM ELEMENT |
| 004 | 011 | 13096701 | RETAINER-INSUL |
| 004 | 012 | 13087602 | DUCT-LH |
| 004 | 013 | 12991609 | SCREW-TC/HEX |
| 004 | 014 | 13087101 | DUCT-RH |
| 004 | 015 | 13077901 | GASKET-PLENUM RETURN |
| 005 | 001 | 13098502 | ESCUTCHEON- TOP |
| 005 | 002 | 12991605 | SCREW |
| 005 | 003 | 13079803 | NAMEPLATE-AXP |
| 005 | 004 | 13074001 | SCREW-TC/PAN TORX RoHS |
| 005 | 005 | 59002136 | OUTER PANEL, TOP |
| 005 | 006 | 59002137 | OUTER PANEL, RIGHT SIDE |
| 005 | 007 | 13086001 | CAP-SUMP DRIP |
| 005 | 008 | 13082601 | CAP-MAG DRIP |
| 005 | 009 | 13081902 | BACK, OUTERCASE |
| 005 | 010 | 13086801 | HOOD-EXHAUST |
| 005 | 011 | 59002138 | OUTER PANEL, LEFT SIDE |
| 005 | 012 | 13079701 | ESCUTCHEON, SIDE |
| 005 | 013 | 13042001 | SCREW-TF/OVAL RoHS |
| 005 | 014 | 59002139 | FILTER, AIR |
| 005 | 015 | 59002092 | PLUG, DATA KEY |
| 005 | 016 | 59002140 | RACK, OVEN |

SCHEMATIC

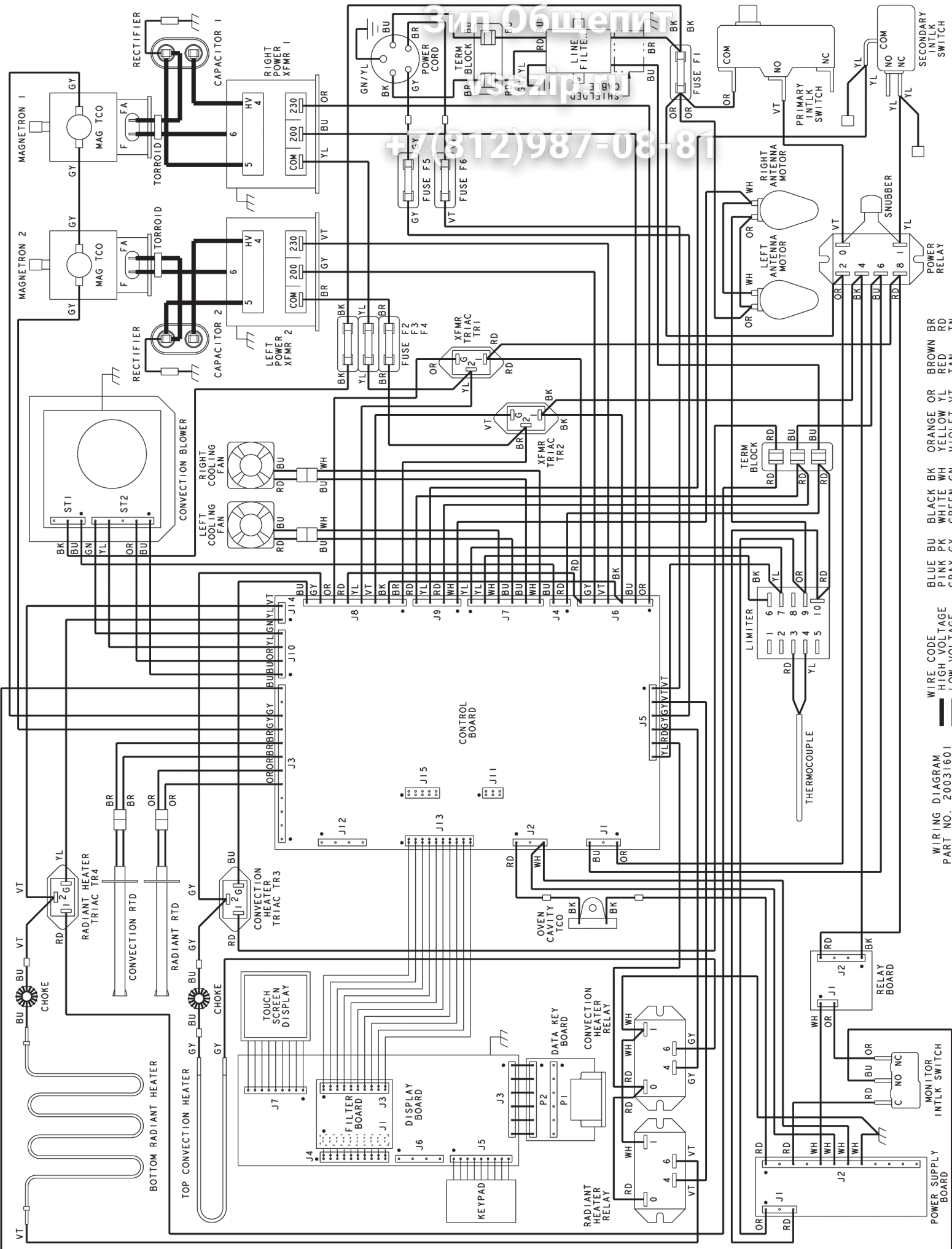
Зип Общепит

vsezip.ru

+7(812)987-08-81



WIRING DIAGRAM



WIRING DIAGRAM
PART NO. 20031601

WIRE CODE
HIGH VOLTAGE
LOW VOLTAGE

BLUE BU
BLACK BK
ORANGE OR
YELLOW YL
RED RD
GREEN GN
VIOLET VT
BROWN BR
TAN TN