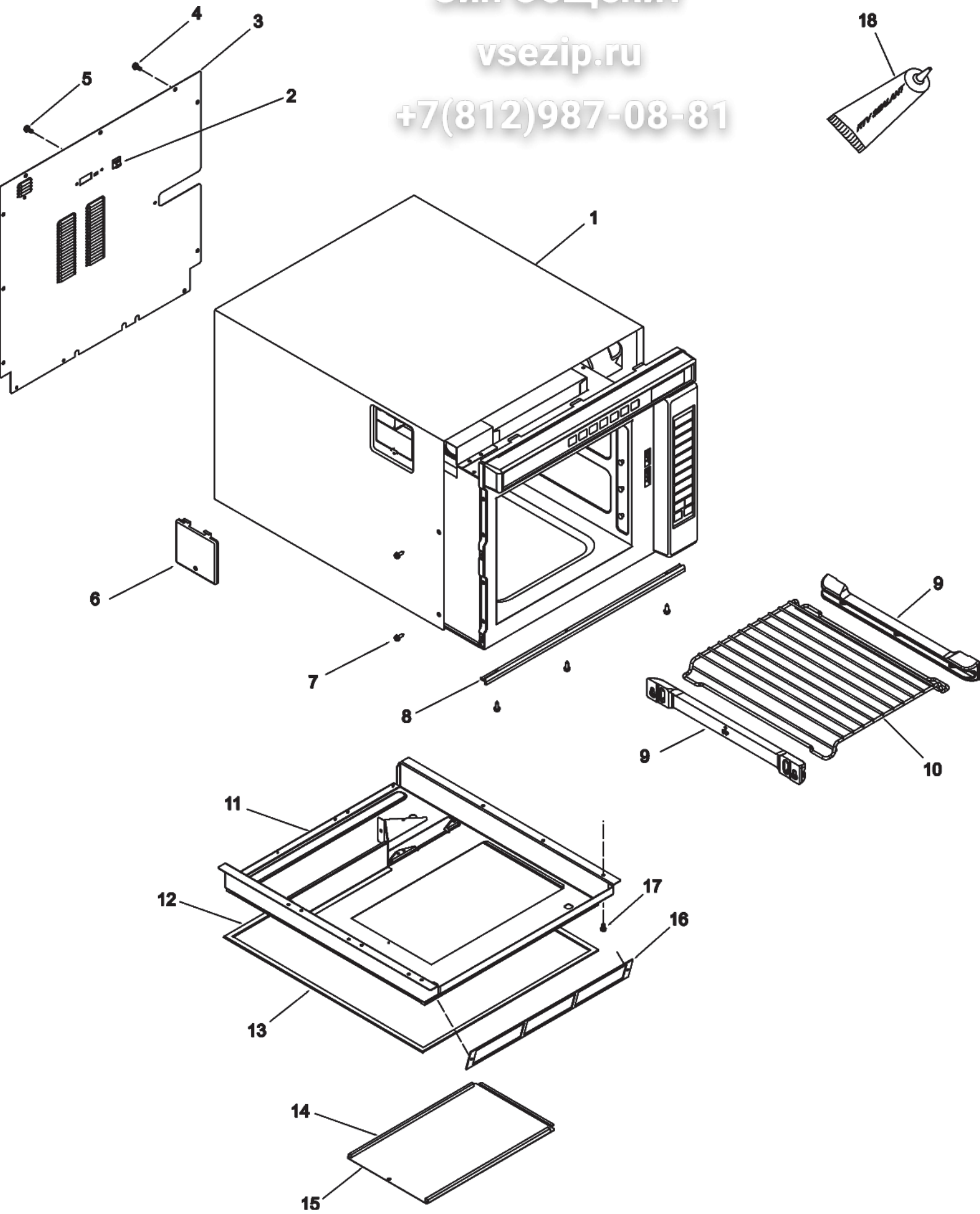


Зип Ощепит

vsezip.ru

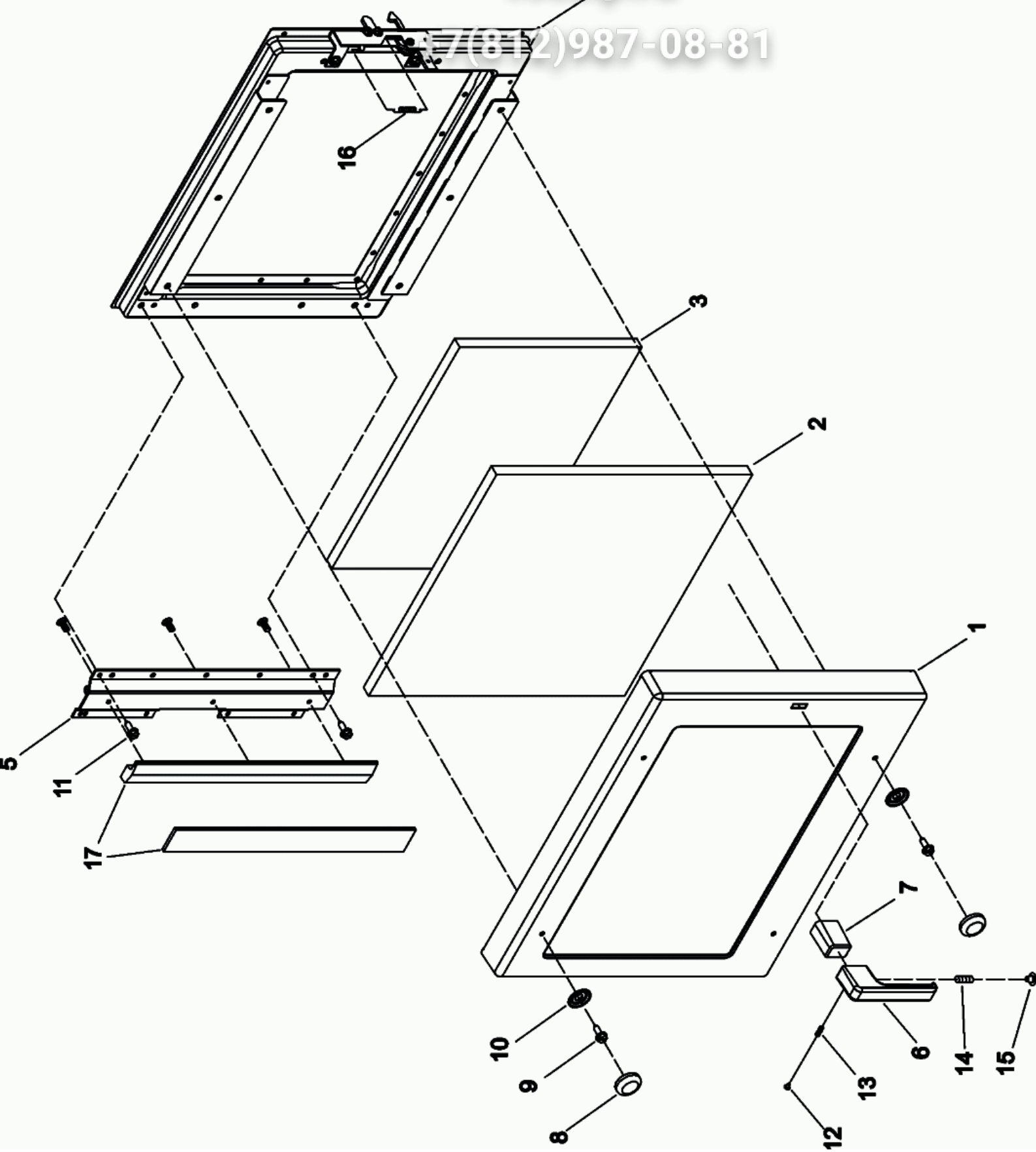
+7(812)987-08-81



Зип Ощепит

vsezip.ru

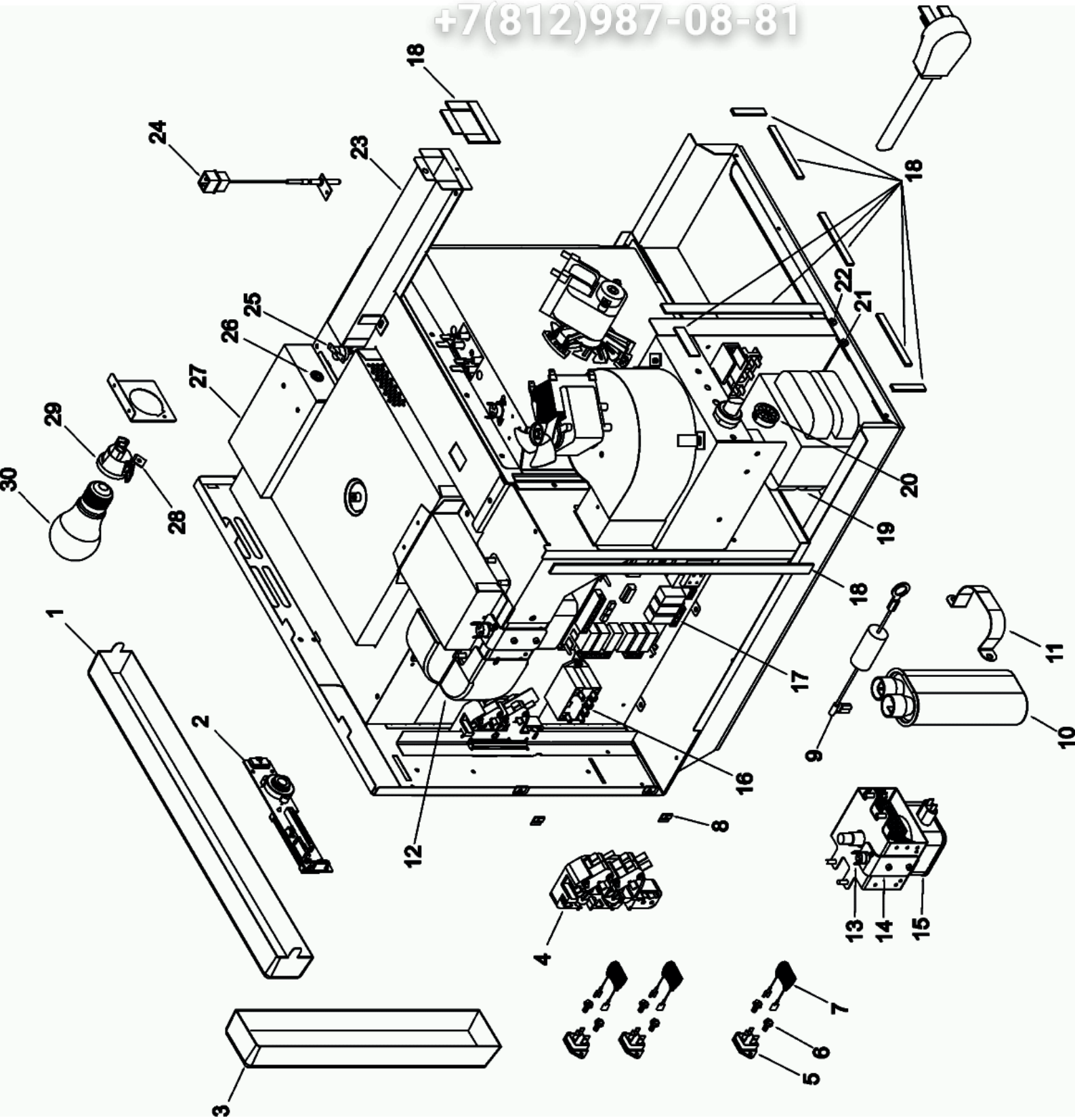
812)987-08-81



Зип Общепит

vsezip.ru

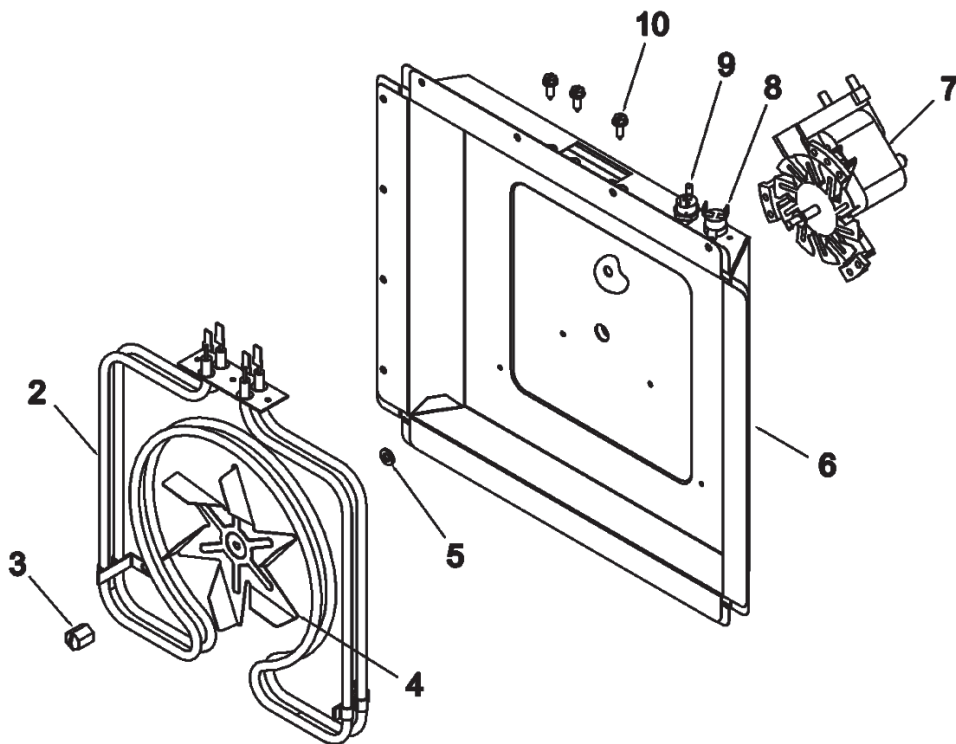
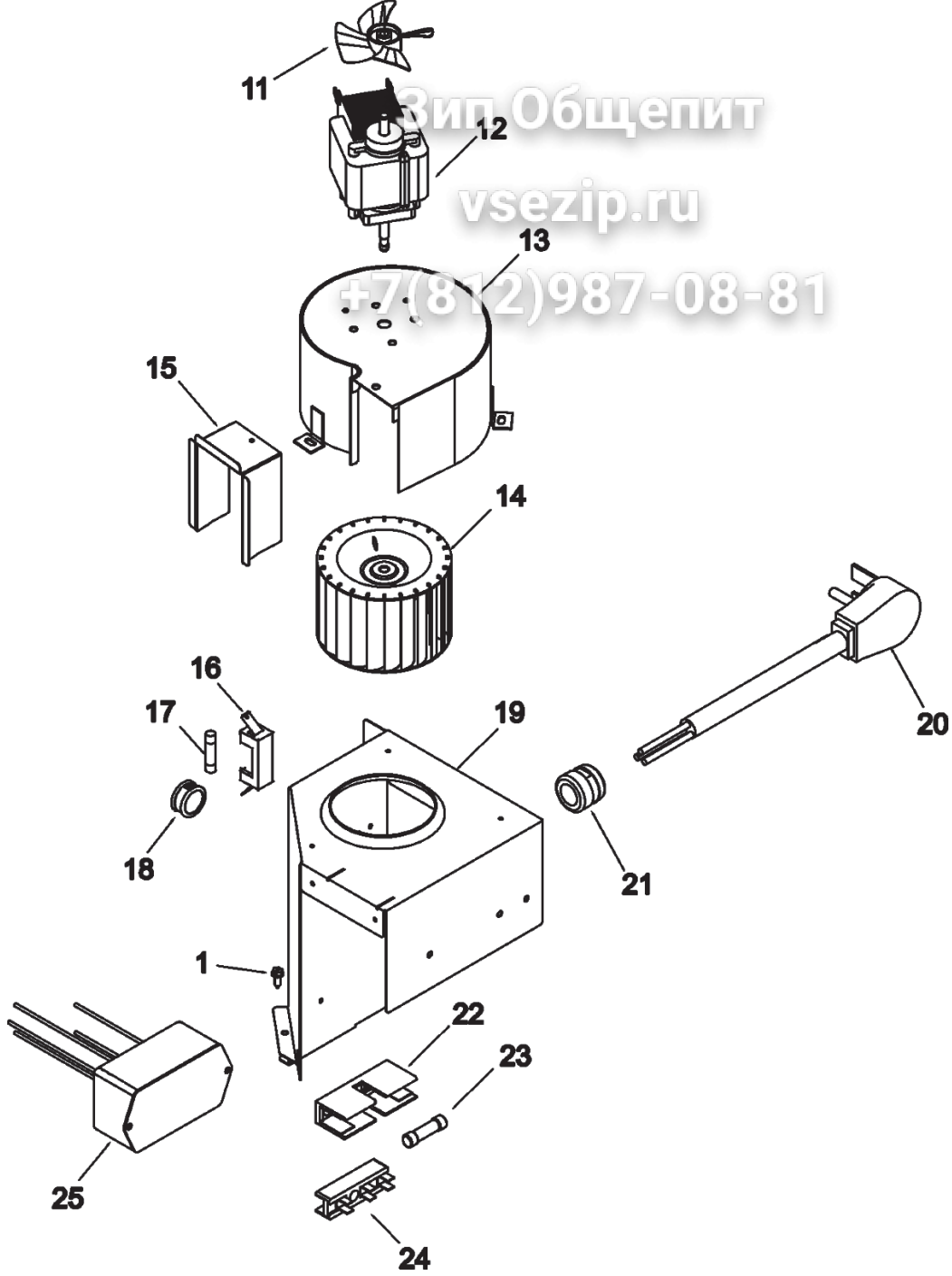
+7(812)987-08-81



Вип Общепит

vsezip.ru

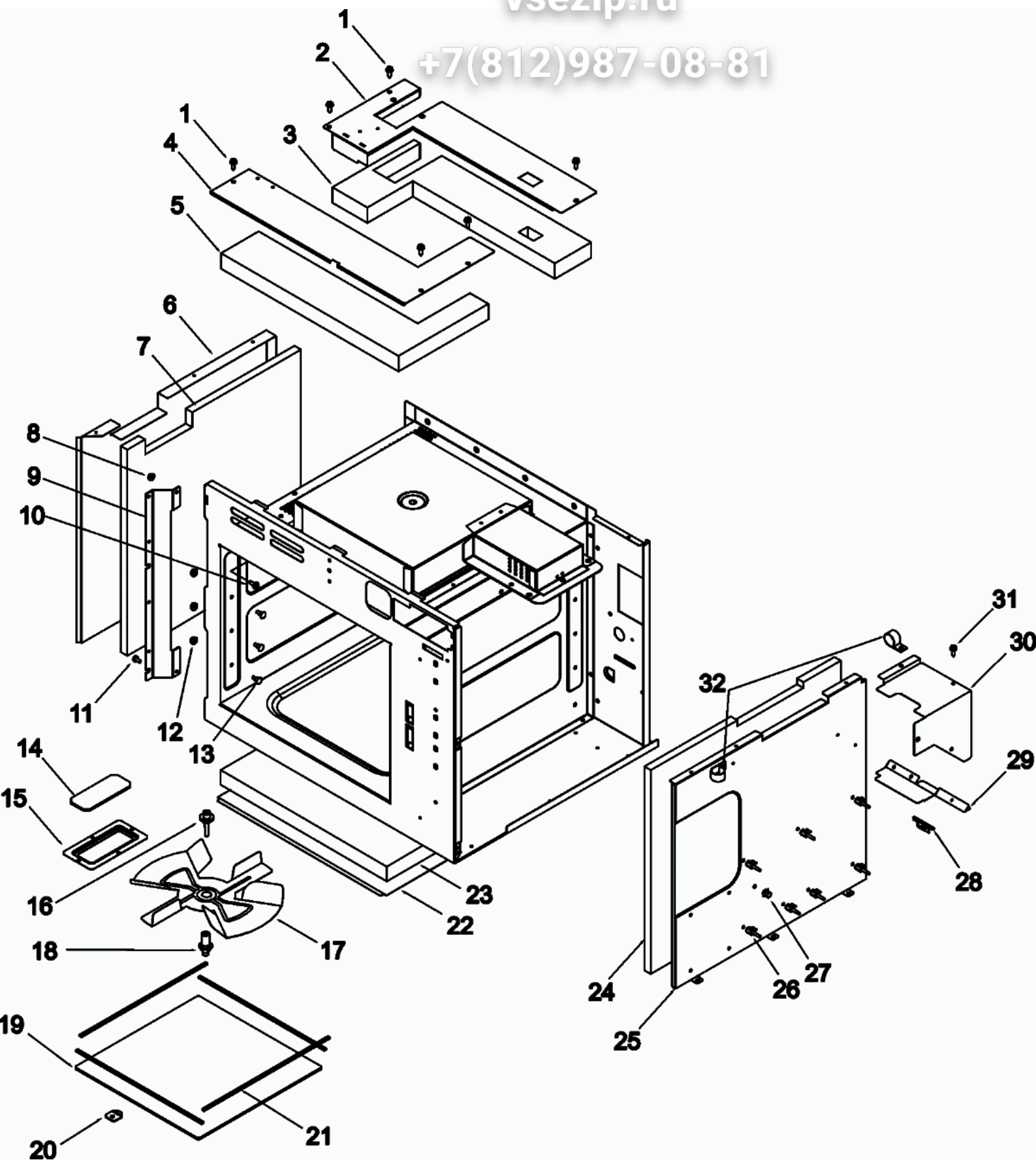
+7(812)987-08-81



Зип Общепит

vsezip.ru

+7(812)987-08-81



| Seite | Pos | Kreditor Artikel Nr. | GB |
|-------|-----|----------------------|--------------------------------|
| 001 | 001 | 10908901Q | WRAPPER- STAINLESS |
| 001 | 002 | M0104106 | CLIP-CORD |
| 001 | 003 | 12002804 | ACCESS PAN WLD-E CT |
| 001 | 004 | 12990526 | SCREW-SM/HEX RoHS |
| 001 | 005 | 12990525 | SCREW-SM/HEX RoHS |
| 001 | 006 | 10785608 | COVER-LIGHT |
| 001 | 006 | M0288215 | NUT-SPEED |
| 001 | 006 | 13042001 | SCREW-TF/OVAL RoHS |
| 001 | 007 | 13042001 | SCREW-TF/OVAL RoHS |
| 001 | 008 | 10909005 | TRIM-OC |
| 001 | 008 | 13042002 | SCREW-TF/OVAL RoHS |
| 001 | 009 | 12523203 | RACK GUIDE ASSY |
| 001 | 010 | 12487403 | RACK-OVEN |
| 001 | 011 | R0150116 | NLA- BASE PAN & GASKET ASSY |
| 001 | 012 | 59001646 | GASKET, BASEPAN- CUT |
| 001 | 013 | 59001647 | GASKET, BASEPAN- CUT |
| 001 | 014 | A3030330 | GASKET, PER FT |
| 001 | 015 | 10782402 | BOTTOM ACCESS-E CT |
| 001 | 015 | 12990527 | SCREW-SM/HEX RoHS |
| 001 | 016 | 10853102 | GRILLE-AIR INLET |
| 001 | 016 | M0274066 | WASHER-NYLON |
| 001 | 016 | 13042801 | SCREW, THUMB |
| 001 | 017 | M0220417 | SCREW |
| 001 | 018 | M0275408 | SEALER, RTV 10.3 OZ-RED-OV CAV |
| 002 | 001 | 59001511 | DOOR, OUTER |
| 002 | 002 | 59001720 | INSULATION, DOOR- LARGE |
| 002 | 003 | 59001719 | INSULATION, DOOR- SMALL |
| 002 | 004 | 59002021 | INNER DOOR ASSY- ACE |
| 002 | 005 | 59001869 | HINGE, DOOR |
| 002 | 006 | 12490902 | HANDLE-DOOR |
| 002 | 007 | 12576901 | INSERT-HANDLE |
| 002 | 008 | 59001660 | CAP, SCREW |
| 002 | 009 | 13042701 | SCREW-TC/HOLT RoHS |
| 002 | 010 | M0295502 | WASHER-CAP SCREW |
| 002 | 011 | 12990527 | SCREW-SM/HEX RoHS |
| 002 | 012 | 12360703 | PLUG-HOLE |
| 002 | 013 | 59002036 | SCREW SET CONE RoHS |
| 002 | 014 | 13047001 | SCREW-SET/DOG RoHS |
| 002 | 015 | M0310305 | PLUG-WHITE BUTTON |
| 002 | 016 | 59001721 | SPRING, LATCH |
| 002 | 017 | 59001230 | COVER, HINGE- GRAY |
| 002 | 018 | 92113P01 | BIT, CROWS FOOT DRIVER |
| 003 | 001 | R0000280 | TOUCH PANEL ASSY- TOP |
| 003 | 001 | 59002047 | SCREW, TF/HEX ROHS |
| 003 | 002 | 12502401 | BOARD, DISPLAY |
| 003 | 002 | 13042002 | SCREW-TF/OVAL RoHS |
| 003 | 003 | 59002047 | SCREW, TF/HEX ROHS |
| 003 | 003 | R0000279 | TOUCH PANEL ASSY- SIDE |
| 003 | 004 | 12002647 | KIT, INTERLOCK SWITCH |
| 003 | 004 | 59001952 | SCREW |
| 003 | 005 | R0157373 | KIT, TRIAC |
| 003 | 006 | 12990526 | SCREW-SM/HEX RoHS |
| 003 | 007 | 59002017 | SNUBBER ASSY |
| 003 | 008 | M0287016 | NUT, SPEED |
| 003 | 009 | 59002047 | SCREW, TF/HEX ROHS |
| 003 | 009 | B8383102 | DIODE |
| 003 | 010 | 59001172 | CAPACITOR- 1.30 |
| 003 | 011 | A4055405 | STRAP-CAPACITOR |
| 003 | 012 | 12018101 | DUCT, MAG/WVGD |
| 003 | 013 | B5684119 | THERMAL CUTOUT |
| 003 | 014 | M0229916 | SCREW-TC |
| 003 | 014 | 10999501 | NLA- BRKT-TCO MTG |
| 003 | 015 | 59001484 | MAGNETRON |
| 003 | 016 | 59001981 | RELAY |
| 003 | 017 | 12502810 | BOARD-HV |
| 003 | 018 | A3030330 | GASKET, PER FT |
| 003 | 019 | 10788620 | TRANSFORMER |
| 003 | 020 | M0571001 | BUSHING-SNAP |
| 003 | 022 | 12990527 | SCREW-SM/HEX RoHS |

Зип-Общепит

vsezip.ru

+7(812)987-08-81

| Seite | Pos | Kreditor Artikel Nr. | GB |
|-------|-----|----------------------|-------------------------|
| 003 | 023 | 12002901 | FLUE DUCT WELD |
| 003 | 023 | 12990526 | SCREW-SM/HEX RoHS |
| 003 | 024 | 59002047 | SCREW, TF/HEX ROHS |
| 003 | 024 | 12000202 | SENSOR-TEMP |
| 003 | 024 | 13045501 | NUT-#6 KEPS |
| 003 | 025 | B5684102 | CUTOUT-THERMAL |
| 003 | 026 | A3293501 | NLA- BUSHING-SNAP |
| 003 | 027 | 12630501 | NLA- LAMP COVER WELD |
| 003 | 028 | B8376701 | BRKT-LIGHT |
| 003 | 028 | 59002061 | SCREW, SM/PAN |
| 003 | 029 | B8376801 | SOCKET-LIGHT |
| 003 | 029 | 12990522 | SCREW-SM/HEX RoHS |
| 003 | 030 | 67002552 | BULB, LIGHT (40W-250V) |
| 004 | 001 | 12990526 | SCREW-SM/HEX RoHS |
| 004 | 002 | 12000108 | HEATER ASSY |
| 004 | 002 | 13041801 | SCREW-TC/PAN RoHS |
| 004 | 003 | 12538001 | NUT-CAP |
| 004 | 004 | 12537901 | BLADE, FAN |
| 004 | 005 | 12546101 | WASHER |
| 004 | 006 | 59001513 | HEATER BOX |
| 004 | 007 | M0229616 | SCREW-SM |
| 004 | 007 | 12537803 | MOTOR-CONVECTION |
| 004 | 008 | B5684123 | THERMAL CUTOUT |
| 004 | 009 | 31866P01 | CUTOUT-THERMAL |
| 004 | 010 | 12990606 | SCREW-SM/PAN RoHS |
| 004 | 011 | B5706704 | BLADE, FAN |
| 004 | 012 | 12992305 | SCREW-TF/HEX RoHS |
| 004 | 012 | 10773308 | MOTOR-BLOWER |
| 004 | 013 | 10797203 | SCROLL WELD |
| 004 | 013 | 59002047 | SCREW, TF/HEX ROHS |
| 004 | 014 | C3670809 | WHEEL-BLOWER |
| 004 | 015 | 12990526 | SCREW-SM/HEX RoHS |
| 004 | 015 | 10977801 | TRANSITION-BLOWER |
| 004 | 016 | 12136503 | BLOCK-1 POLE FUSE |
| 004 | 016 | 59002061 | SCREW, SM/PAN |
| 004 | 017 | M0805102 | FUSE-15A |
| 004 | 018 | M0571003 | BUSHING-SNAP |
| 004 | 019 | 12000812 | NLA- BLOWER BRKT WELD |
| 004 | 020 | 13033801 | CORD-POWER |
| 004 | 021 | M0370009 | RELIEF-STRAIN |
| 004 | 022 | 10091101 | BLOCK-FUSE |
| 004 | 022 | 12990522 | SCREW-SM/HEX RoHS |
| 004 | 023 | M0805203 | FUSE-20A |
| 004 | 024 | B5677203 | BLOCK-TERMINAL |
| 004 | 024 | 12990606 | SCREW-SM/PAN RoHS |
| 004 | 025 | A4539638 | RIVET-POP RoHS |
| 004 | 025 | 12130001 | FILTER-LINE |
| 005 | 001 | 12990526 | SCREW-SM/HEX RoHS |
| 005 | 002 | 10977401 | RETAINER-TOP/BACK INSUL |
| 005 | 003 | 12000701 | INSUL-TP BACK |
| 005 | 004 | 10978002 | RETAINER-TOP INSUL |
| 005 | 005 | 12000702 | INSUL-TP FT |
| 005 | 006 | 10977301 | RETAINER-INSUL L |
| 005 | 007 | 12000501 | INSUL-L PAN |
| 005 | 008 | 13045501 | NUT-#6 KEPS |
| 005 | 009 | 12189004 | BRKT-HINGE SUPPORT |
| 005 | 010 | M0202557 | SCREW-MACH |
| 005 | 011 | 59002047 | SCREW, TF/HEX ROHS |
| 005 | 012 | 59002051 | NLA- NUT-#8 KEPS |
| 005 | 013 | 12030101 | BOLT-SHOULDER |
| 005 | 014 | 12047501 | NLA- GLASS-OVEN LIGHT |
| 005 | 015 | M0213802 | SCREW-SM |
| 005 | 015 | 10978201 | NLA- RETAINER-LT GLASS |
| 005 | 016 | 12004401 | SHAFT-STIRRER |
| 005 | 017 | 10825904Q | BLADE, STIRRER |
| 005 | 018 | R0130737 | KIT, STIRRER BLADE |
| 005 | 019 | R0150115 | COVER, STIRRER |
| 005 | 020 | M0213802 | SCREW-SM |
| 005 | 020 | 12188901 | RETAINER-TRAY |

Зип-Общепит

vsezip.ru

+7(812)987-08-81

| Seite | Pos | Kredtor Artikel Nr. | GB |
|-------|-----|---------------------|--------------------------------|
| 005 | 021 | 12019002 | GASKET |
| 005 | 022 | 10977501 | RETAINER-BTM INSUL |
| 005 | 023 | 12000703 | INSUL-CAVITY |
| 005 | 024 | 12000401 | INSUL-R PAN |
| 005 | 025 | 59001652 | RETAINER, SIDE INSUL RT |
| 005 | 026 | 12990522 | SCREW-SM/HEX RoHS |
| 005 | 026 | 5043-W | #6 F X 1/4" SCREW (25) |
| 005 | 028 | M0104106 | CLIP-CORD |
| 005 | 029 | 10978601 | DUCT-BLOWER/MAG |
| 005 | 029 | 12990526 | SCREW-SM/HEX RoHS |
| 005 | 030 | 10978702 | NLA- COVER, MAG INLET |
| 005 | 031 | 12990522 | SCREW-SM/HEX RoHS |
| 005 | 032 | 12990524 | SCREW-SM/HEX RoHS |
| 005 | 032 | 13049701 | CLAMP-.75 TUBE |
| | | 13062001 | MANUAL-PRODUCT SAFETY |
| | | 13018601 | HARNESS-OVEN |
| | | 13018301 | HARNESS-PC BOARD |
| | | 13018201 | HARNESS-INTERLOCK |
| | | 13018401 | NLA- HARNESS-OVEN LT |
| | | 13018501 | HARNESS-OVEN |
| | | 13017704 | WIRE-HV JUMPER |
| | | 13017705 | WIRE-HV JUMPER |
| | | 13017706 | WIRE-HV JUMPER |
| | | 92113P01 | BIT, CROWS FOOT DRIVER |
| | | M0275408 | SEALER, RTV 10.3 OZ-RED-OV CAV |
| | | 59001516 | NLA- FLAT SHEET |
| | | 59001517 | SEE BULLETIN TCM-0023A-B |
| | | 59001518 | NLA- FRY BASKET |
| | | 59001520 | NLA- CAVITY CLEANER |

Зип-Общепит

vsezip.ru

+7(812)987-08-81

SCHEMATIC CONDITION: DOOR OPEN

230V 50HZ

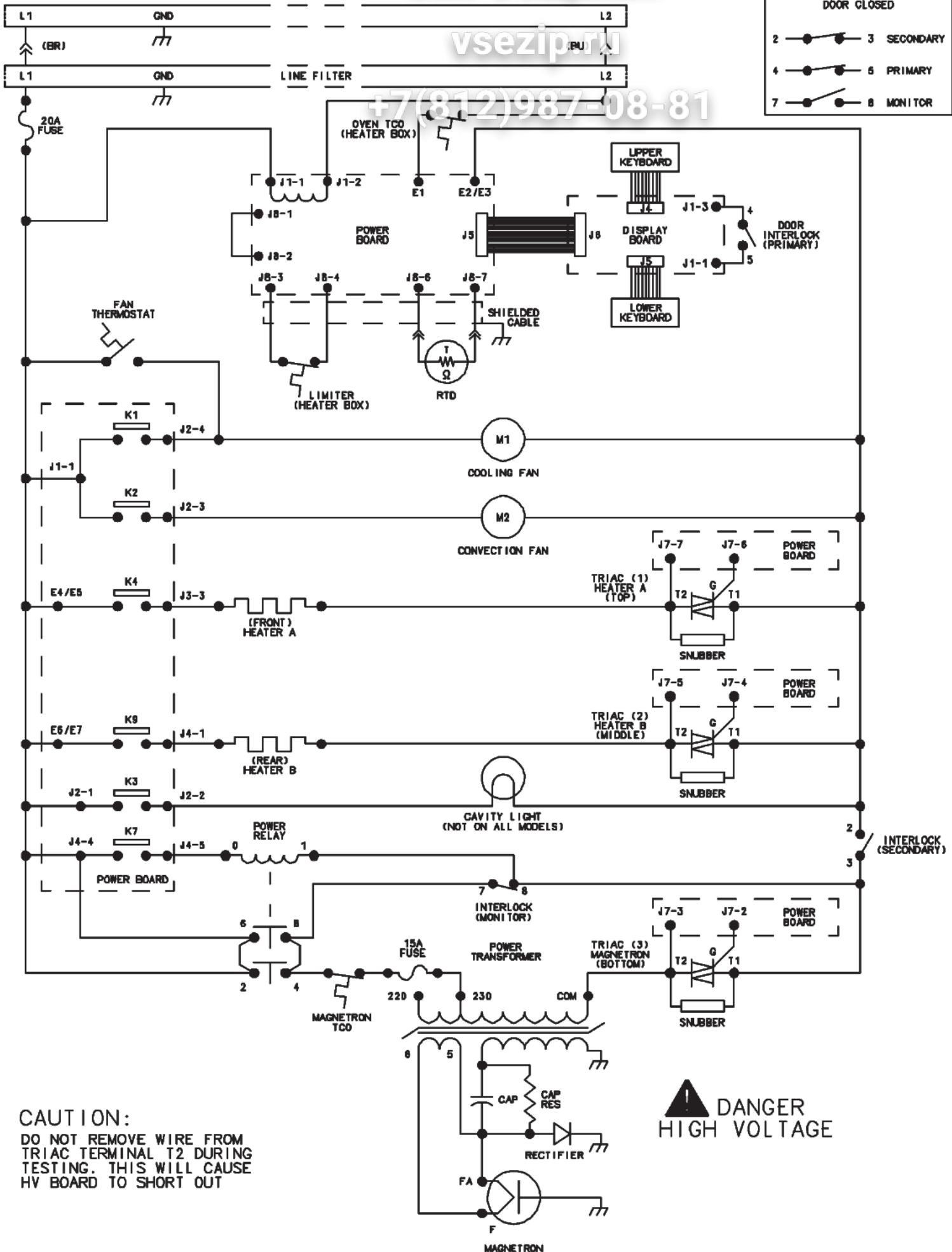
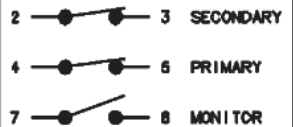
Зип Общепит

vsezip.ru

+7(812)987-08-81

INTERLOCK SWITCH SCHEMATIC

DOOR CLOSED



CAUTION:
DO NOT REMOVE WIRE FROM
TRIAC TERMINAL T2 DURING
TESTING. THIS WILL CAUSE
HV BOARD TO SHORT OUT

**⚠ DANGER
HIGH VOLTAGE**