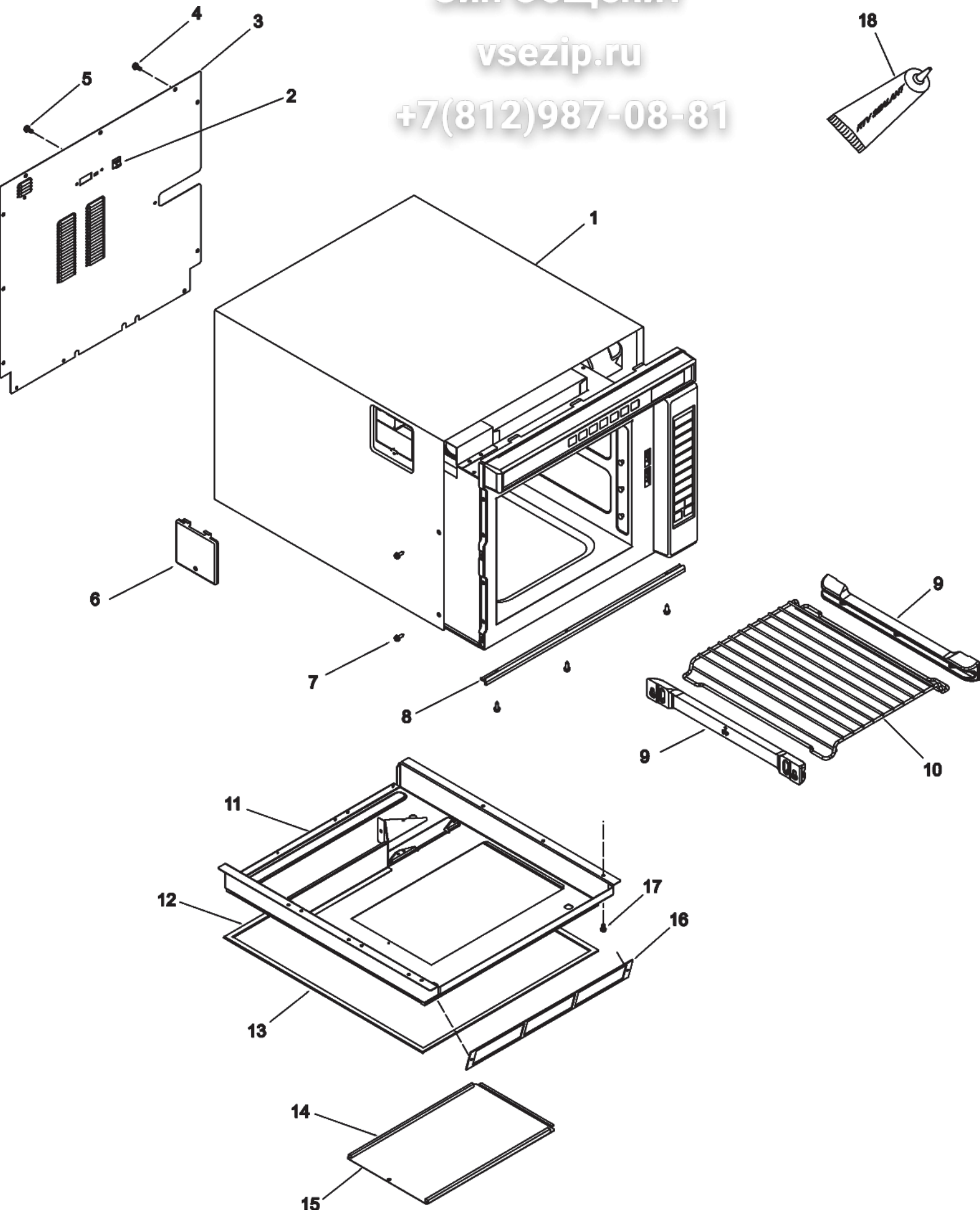


Зип Общепит

vsezip.ru

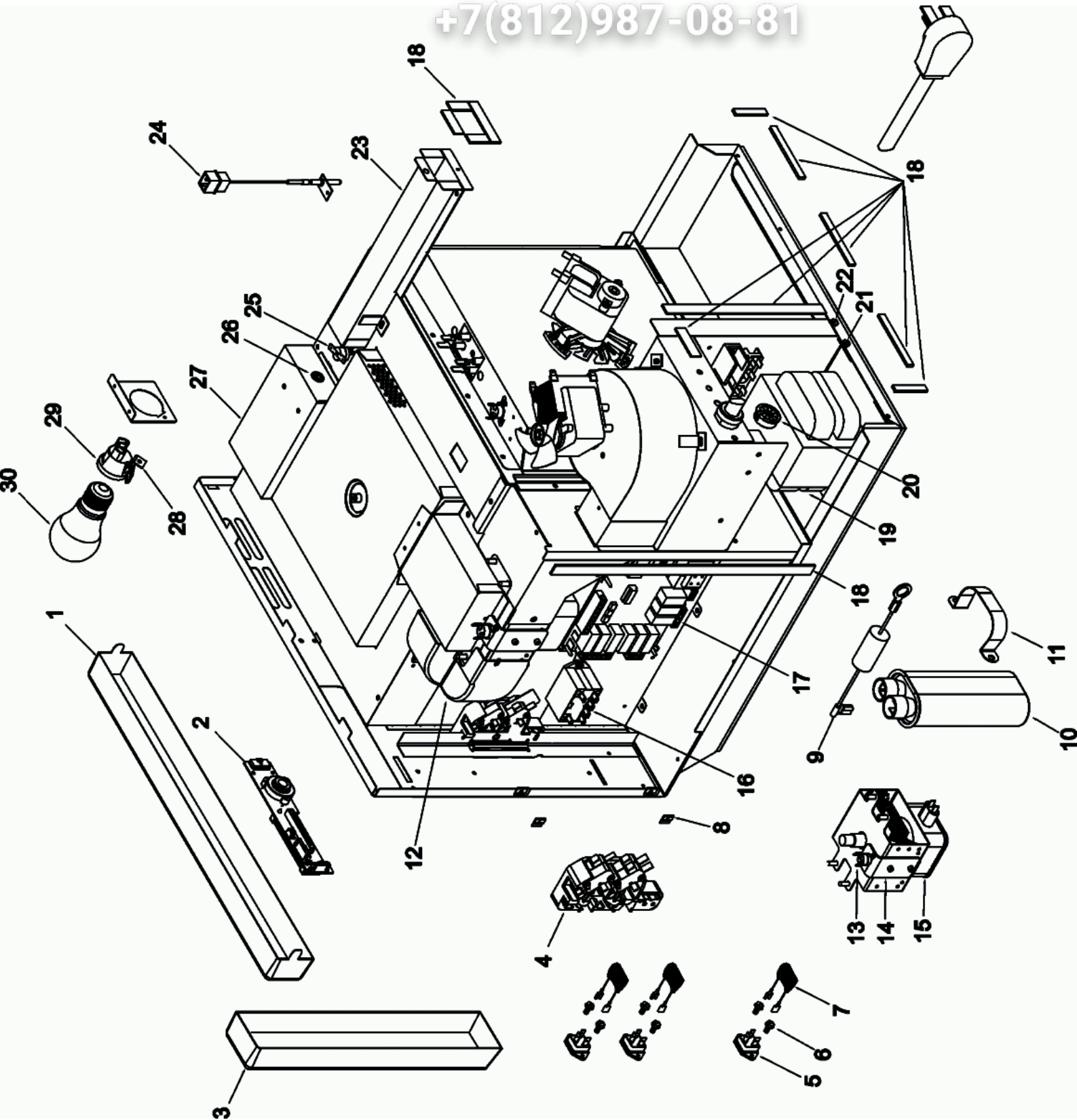
+7(812)987-08-81



Зип Общепит

vsezip.ru

+7(812)987-08-81



Seite	Pos	Kreditor Artikel Nr.	GB
001	008	M0249619	SCREW, T F
001	009	12523201Q	RACK GUIDE ASSY
001	010	12487403	RACK-OVEN
001	011	R0150116	NLA- BASE PAN & GASKET ASSY
001	012	59001646	GASKET, BASEPAN- CUT
001	014	59002162	GASKET, PER FT
001	015	10782402	BOTTOM ACCESS-E CT
002	001	59001208	SCREW, HEX HEAD
002	001	R0000280	TOUCH PANEL ASSY- TOP
002	002	12502401	BOARD, DISPLAY
002	002	M0234114	NLA- SCREW
002	003	R0000279	TOUCH PANEL ASSY- SIDE
002	003	59001208	SCREW, HEX HEAD
002	004	M0216517	SCREW
002	004	12002647	KIT, INTERLOCK SWITCH
002	005	R0157373	KIT, TRIAC
002	006	M0216716	SCREW
002	007	10172901Q	SNUBBER ASSY
002	008	M0287001	NUT, SPEED
002	009	B8383102	DIODE
002	009	59001208	SCREW, HEX HEAD
002	010	12548813	CAPACITOR- 1.30
002	011	59001208	SCREW, HEX HEAD
002	011	A4055406	STRAP, CAPACITOR
002	012	12018101	DUCT, MAG/WVGD
002	012	12991101	SCREW-SM/KNIFE RoHS
002	013	B5684119	THERMAL CUTOUT
002	014	10999501	NLA- BRKT-TCO MTG
002	014	M0229916	SCREW-TC
002	015	59001484	MAGNETRON
002	016	12991101	SCREW-SM/KNIFE RoHS
002	016	12492202	RELAY
002	017	12559101Q	BOARD, HV/LV
002	019	10788609	TRANSFORMER, HV 230V 50 HZ
002	020	M0571001	BUSHING-SNAP
002	021	M0216716	SCREW
002	022	M0216703	SCREW
002	023	12002901	FLUE DUCT WELD
002	023	M0216716	SCREW
002	024	12000201	SENSOR, TEMP
002	024	M0232002	SCREW, T F
002	024	M0282005	NUT-KEPS
002	025	B5684102	CUTOUT-THERMAL
002	026	A3293501	NLA- BUSHING-SNAP
002	027	M0216716	SCREW
002	027	12630501	NLA- LAMP COVER WELD
002	028	B8376701	BRKT-LIGHT
002	028	M0216515	SCREW
002	029	B8376801	SOCKET-LIGHT
002	029	M0216616	SCREW
002	030	67002552	BULB, LIGHT (40W-250V)

Зип-Общепит

vsezip.ru

+7(812)987-08-81