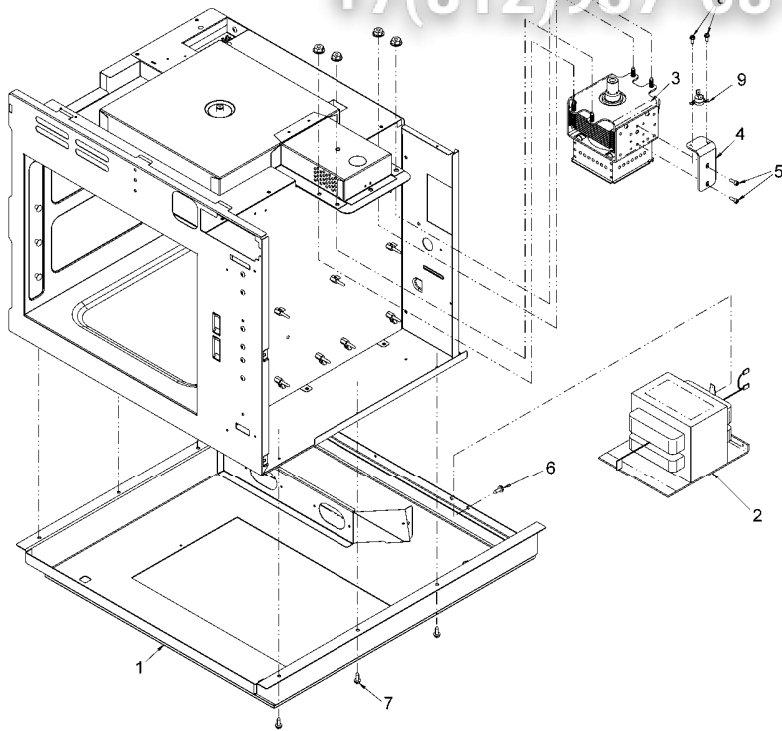


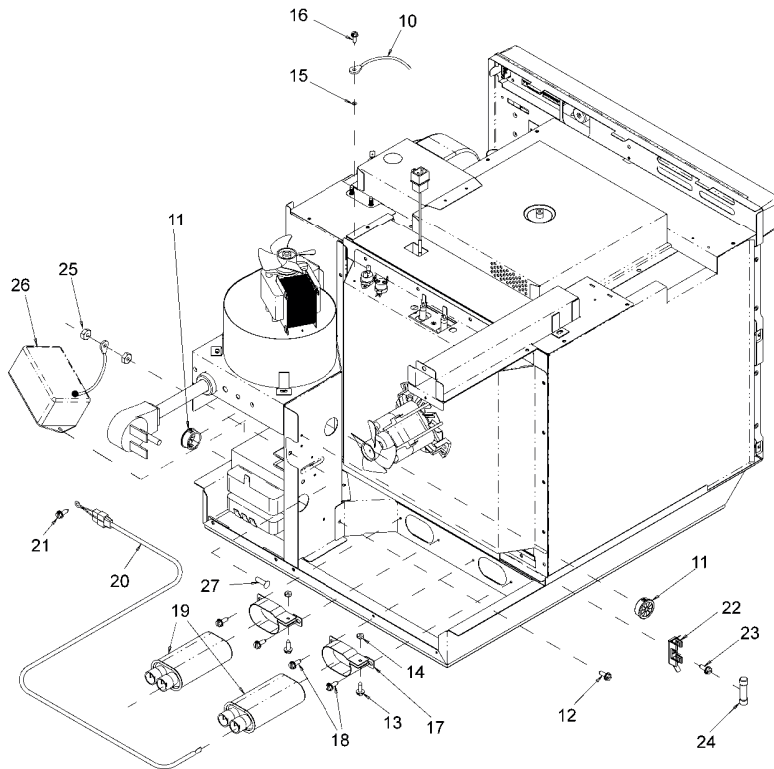
Зип Общепит

BASE / MAGNETRON / TRANSFORMER

+7(812)987-08-81



PLUGS / CAPACITORS / DIODE ASSEMBLY

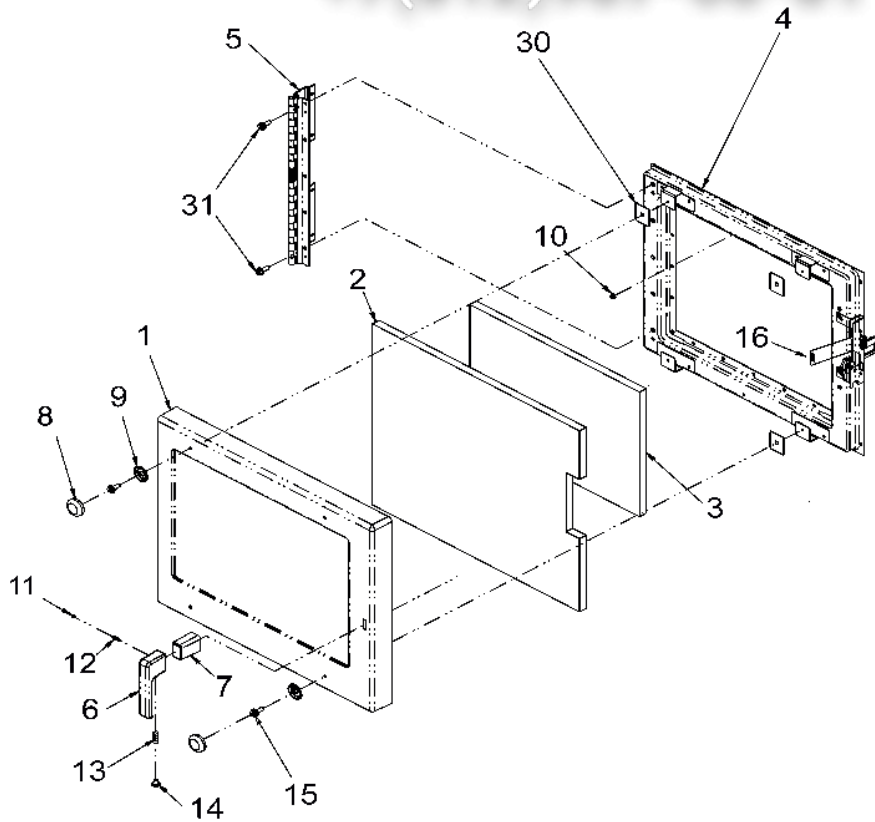


Зип Общепит

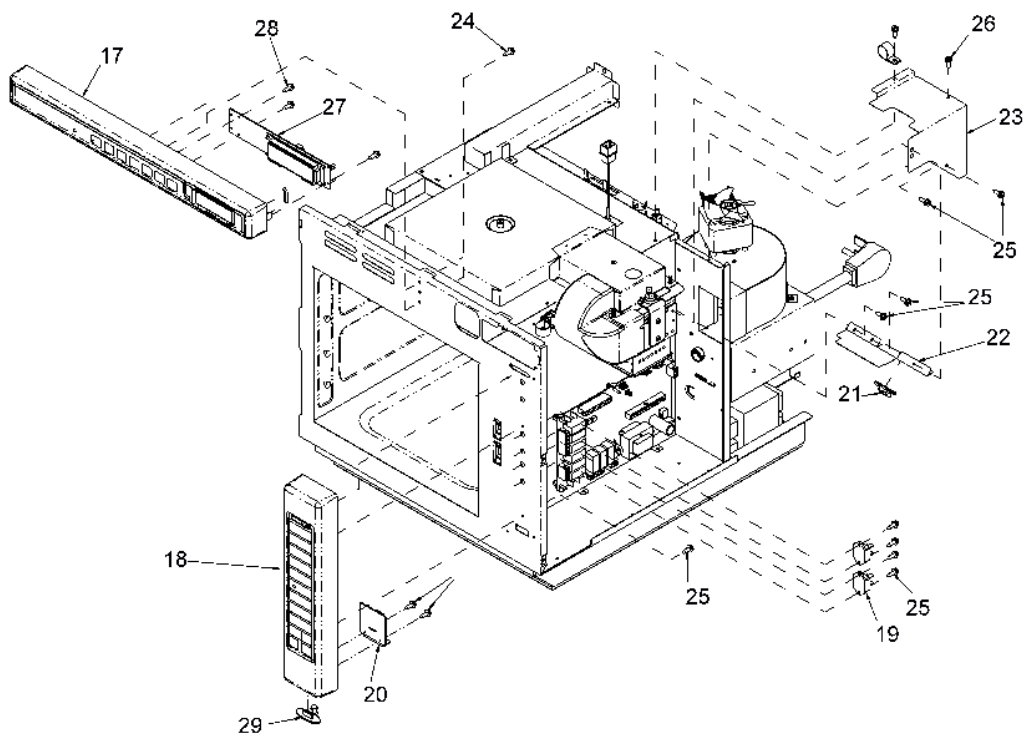
vsezip.ru

DOOR / DOOR HANDLE

+7(812)987-08-81



UPPER & LOWER SWITCH / TRIAC / DISPLAY BOARD

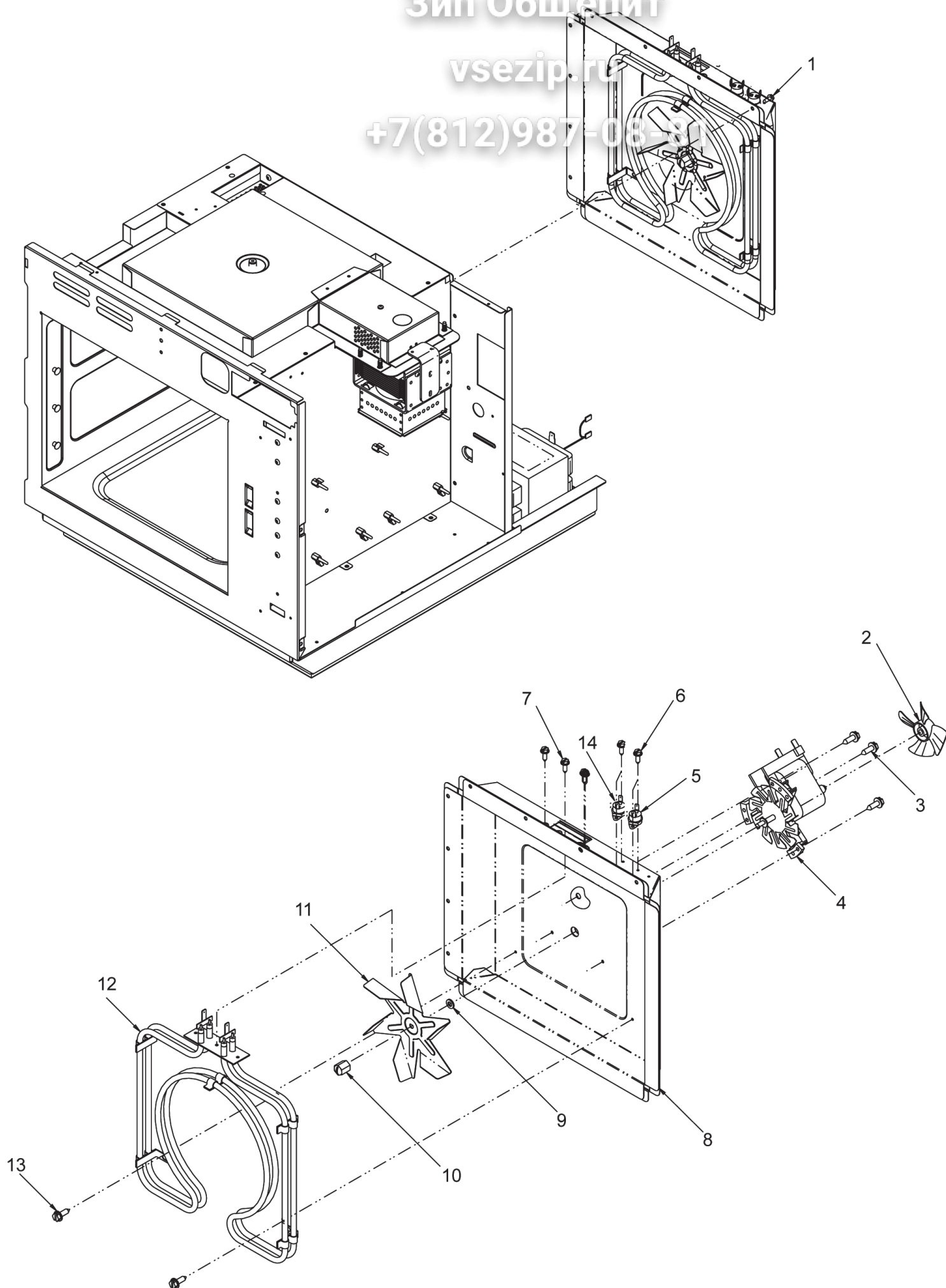


HEATER BOX / CONVECTION MOTOR

Зип Общепит

vsezip.ru

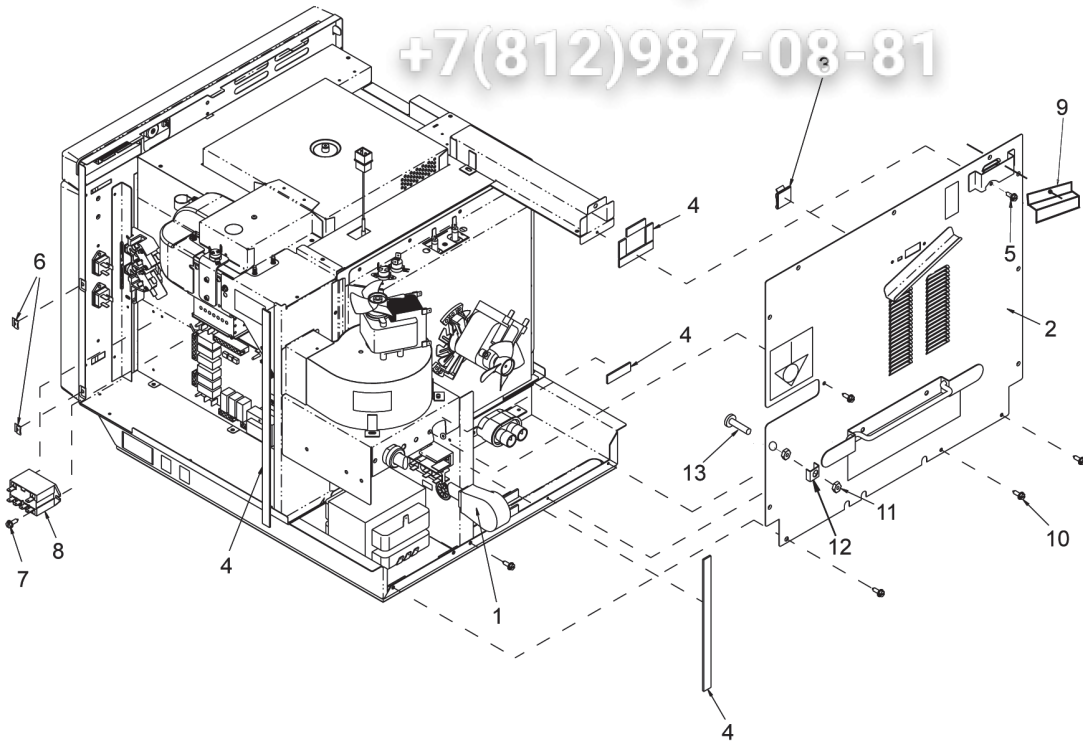
+7(812)987-08-81



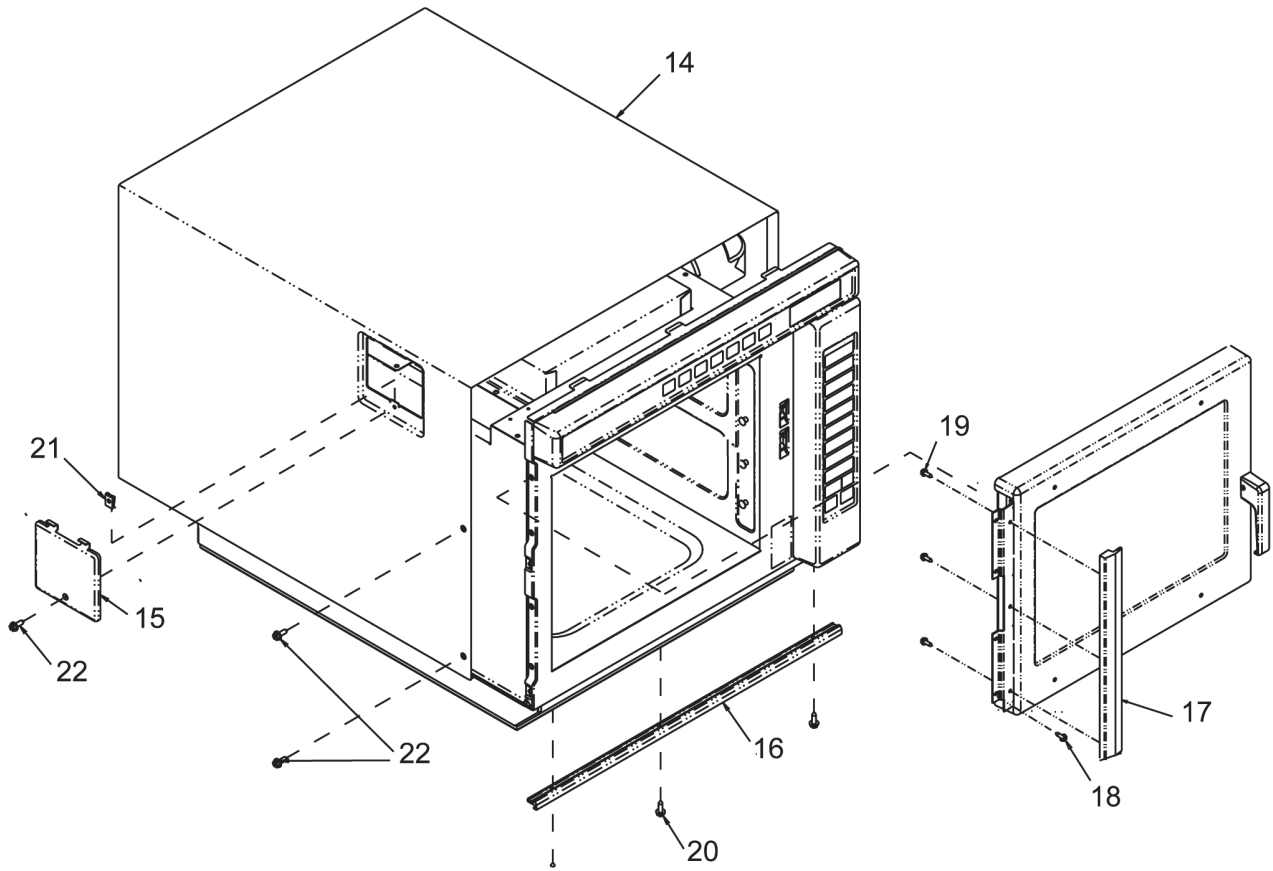
Зип Общепит

REAR PANEL / POWER CORD / POWER RELAY

+7(812)987-08-81



OUTERCASE / HINGE COVER

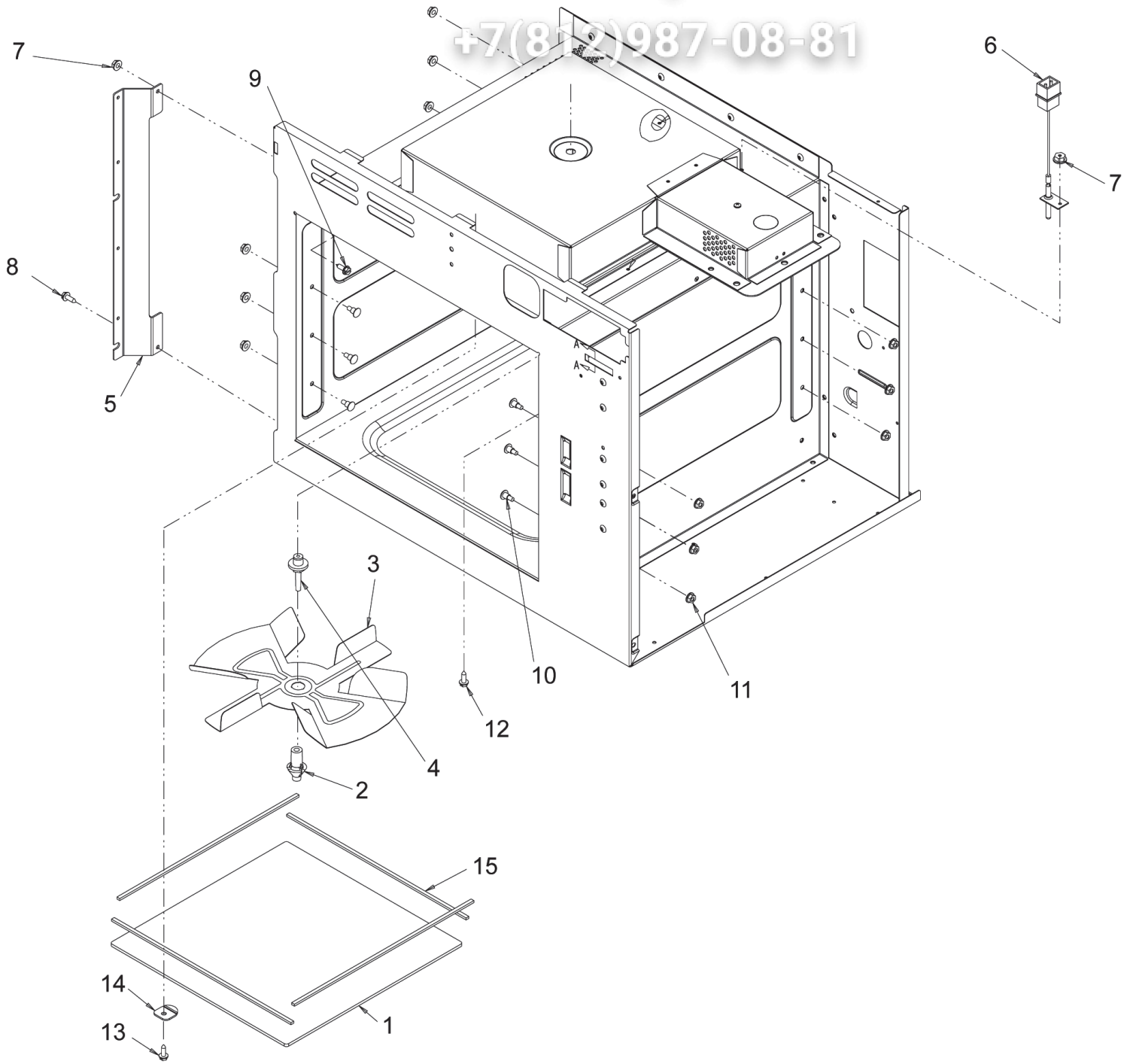


STIRRER SYSTEM / OVEN TRAY

Зип Общепит

vsezip.ru

+7(812)987-08-81



Seite	Pos	Kredtor Artikel Nr.	GB
001	001	59002096	BASEPAN ASSY, ACE14
001	002	59002087	TRANSFORMER, HV
001	003	59002081	MAGNETRON
001	004	13080901	BRKT - TCO MTG
001	005	M0229916	SCREW-TC
001	006	12990526	SCREW-SM/HEX RoHS
001	007	12991605	SCREW
001	008	13041602	SCREW
001	009	B5684121	THERMAL CUTOUT
001	010	59002182	HARNESS - WIRING
001	011	M0571003	BUSHING-SNAP
001	012	12990526	SCREW-SM/HEX RoHS
001	013	59001208	SCREW, HEX HEAD
001	014	13045501	NUT-#6 KEPS
001	015	M0272503	WASHER, #6 LOCK
001	016	13042201	SCREW
001	017	13069001	BRKT- CAPACITOR
001	018	12992305	SCREW-TF/HEX RoHS
001	019	59002153	CAPACITOR-.74
001	020	R9800022	KIT, DIODE
001	021	12990524	SCREW-SM/HEX RoHS
001	022	12136503	BLOCK-1 POLE FUSE
001	023	12990607	SCREW
001	024	M0805102	FUSE-15A
001	025	13045501	NUT-#6 KEPS
001	026	12130001	FILTER-LINE
001	027	M0293511	STUD 6
002	001	B5706704	BLADE, FAN
002	002	10773308	MOTOR-BLOWER
002	003	12000816	BLOWER BRACKET
002	004	10977801	TRANSITION-BLOWER
002	005	10091101	BLOCK-FUSE
002	006	10797203	SCROLL WELD
002	007	14119057	KIT, FUSE & RELAY BOARD
002	008	C3670809	WHEEL-BLOWER
002	009	12990522	SCREW-SM/HEX RoHS
002	010	12990526	SCREW-SM/HEX RoHS
002	011	12002901	FLUE DUCT WELD
002	012	M0571001	BUSHING-SNAP
002	013	12018102	DUCT-MAG/WVGD
002	014	59004051	BOARD, HV
002	015	12360509	SWITCH - INTERLOCK
002	016	13042901	SCREW-THUMB RoHS
002	017	10853102	GRILLE-AIR INLET
002	018	12876603	SCREW
002	019	RA14	ACE RACK ACCESSORY
002	020	12990526	SCREW-SM/HEX RoHS
002	021	14080012	KIT, TUNING STUB- ACE
002	022	12000202	SENSOR-TEMP
002	023	13045501	NUT-#6 KEPS
002	024	12992305	SCREW-TF/HEX RoHS
003	001	59001511	DOOR, OUTER
003	002	59001720	INSULATION, DOOR- LARGE
003	003	59001719	INSULATION, DOOR- SMALL
003	004	12002760	KIT, INNER DOOR W/LATCH & CAPS
003	005	59001869	HINGE, DOOR
003	006	12490902	HANDLE-DOOR
003	007	12576901	INSERT-HANDLE
003	008	M0295503	CAP - SCREW
003	009	M0295502	WASHER-CAP SCREW
003	010	13045502	NUT -#8 KEPS
003	011	12360703	PLUG-HOLE
003	012	59002036	SCREW SET CONE RoHS
003	013	13047001	SCREW-SET/DOG RoHS
003	014	M0310305	PLUG-WHITE BUTTON
003	015	13042701	SCREW-TC/HOLT RoHS
003	016	59001721	SPRING, LATCH
003	017	59002099	TOUCH PANEL TOP
003	018	59002093	TOUCH PANEL SIDE

Зип-Общепит

vsezip.ru

+7(812)987-08-81

Seite	Pos	Kreditor Artikel Nr.	GB
003	019	59002026	TRIAC (40A)
003	020	59002095	BOARD,DATA KEY
003	021	M0104106	CLIP-CORD
003	022	10978601	DUCT-BLOWER/MAG
003	023	10978703	COVER - MAG INLET
003	024	59001208	SCREW, HEX HEAD
003	025	12990526	SCREW-SM/HEX RoHS
003	026	12990522	SCREW-SM/HEX RoHS
003	027	59002084	BOARD, DISPLAY
003	028	13042002	SCREW-TF/OVAL RoHS
003	029	59002092	PLUG, DATA KEY
003	030	12529302	SPACER - THERMAL
003	031	12990527	SCREW-SM/HEX RoHS
004	001	12990511	SCREW
004	002	59002159	BLADE, FAN
004	003	12992307	SCREW-TF/HEX RoHS
004	004	59002089	MOTOR,CONVECTION
004	005	31866P01	CUTOUT-THERMAL
004	006	13041602	SCREW
004	007	12990606	SCREW-SM/PAN RoHS
004	008	59001513	HEATER BOX
004	009	12546101	WASHER
004	010	12538001	NUT-CAP
004	011	12537901	BLADE, FAN
004	012	59002082	HEATER
004	013	13041801	SCREW-TC/PAN RoHS
004	014	B5684123	THERMAL CUTOUT
005	001	59002181	CORD POWER
005	002	12002804	ACCESS PAN WLD-E CT
005	003	M0104106	CLIP-CORD
005	004	A3030330	GASKET, PER FT
005	005	12990526	SCREW-SM/HEX RoHS
005	006	M0287016	NUT, SPEED
005	007	12990524	SCREW-SM/HEX RoHS
005	008	12492202	RELAY
005	009	12470201	COVER-VENT
005	010	12990525	SCREW-SM/HEX RoHS
005	011	13045504	NUT - M6 KEPS
005	012	12152201	WASHER-U TYPE
005	013	M0293512	STUD -M6
005	014	10908901Q	WRAPPER- STAINLESS
005	015	10785608	COVER-LIGHT
005	016	10909005	TRIM-OC
005	017	59001230	COVER, HINGE- GRAY
005	018	12990527	SCREW-SM/HEX RoHS
005	019	59002004	SCREW
005	020	13042002	SCREW-TF/OVAL RoHS
005	021	M0288215	NUT-SPEED
005	022	13042001	SCREW-TF/OVAL RoHS
006	001	R0150115	COVER, STIRRER
006	002	R0130737	KIT, STIRRER BLADE
006	003	10825904Q	BLADE, STIRRER
006	004	12004401	SHAFT-STIRRER
006	005	12189004	BRKT-HINGE SUPPORT
006	006	12000202	SENSOR-TEMP
006	007	13045501	NUT-#6 KEPS
006	008	59001208	SCREW, HEX HEAD
006	009	M0202557	SCREW-MACH
006	010	13079102	SCREW-MACH/SHLD
006	011	13045502	NUT -#8 KEPS
006	012	59001208	SCREW, HEX HEAD
006	013	M0213802	SCREW-SM
006	014	12188901	RETAINER-TRAY
006	015	12019002	GASKET

Зип-Общепит

vsezip.ru

+7(812)987-08-81

WIRING INFORMATION

Зип Общепит

vsezip.ru

+7(812)987-08131

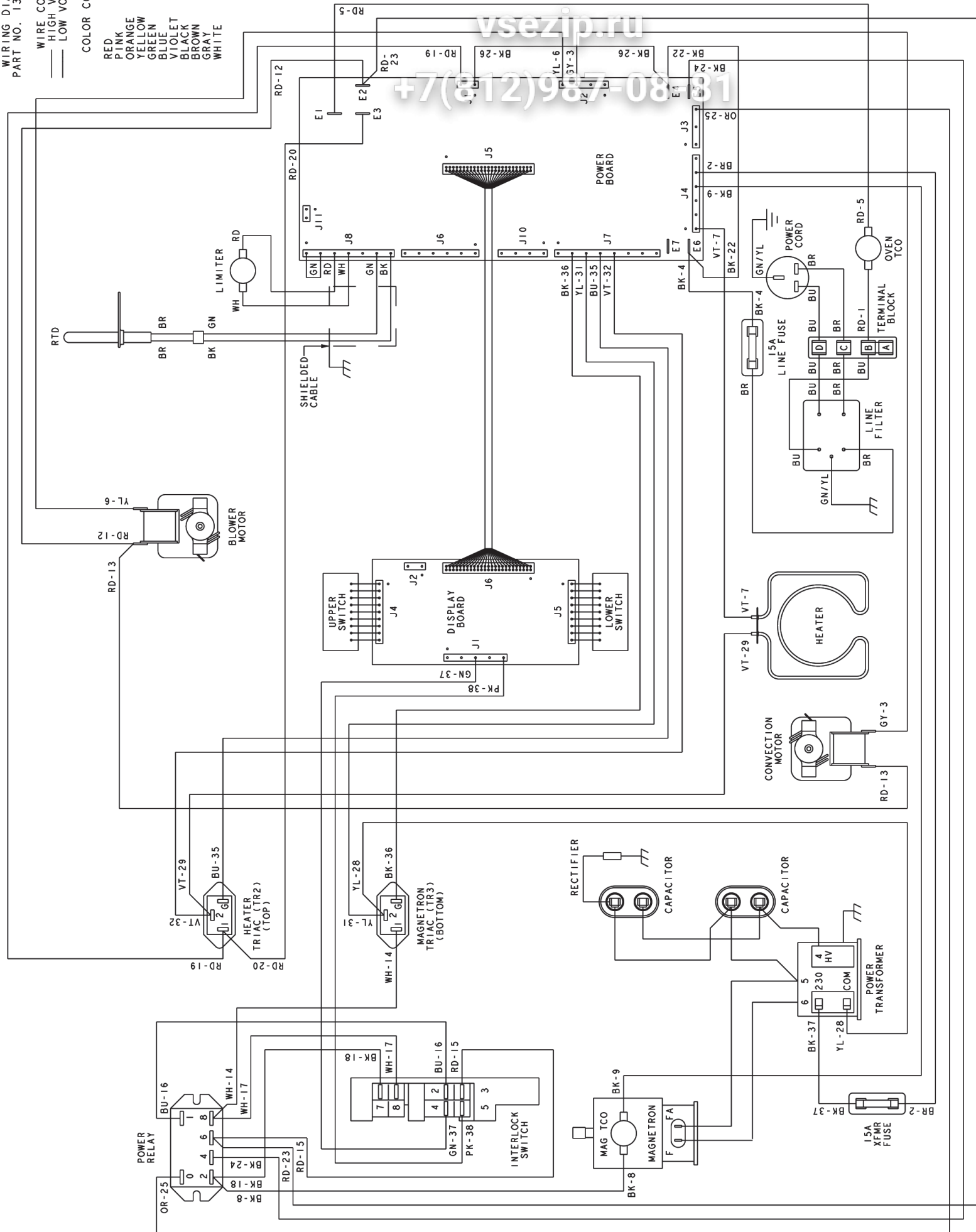
WIRING DIAGRAM
PART NO. 13070304

WIRE CODE
— HIGH VOLTAGE
— LOW VOLTAGE

COLOR CODE

RD
PK
OR
YL
GN
BU
VT
BK
BR
GY
WH

RED
PINK
ORANGE
YELLOW
GREEN
BLUE
VIOLET
BLACK
BROWN
GRAY
WHITE



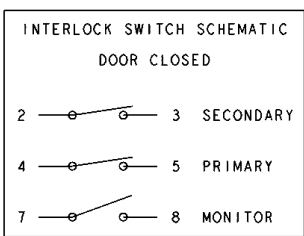
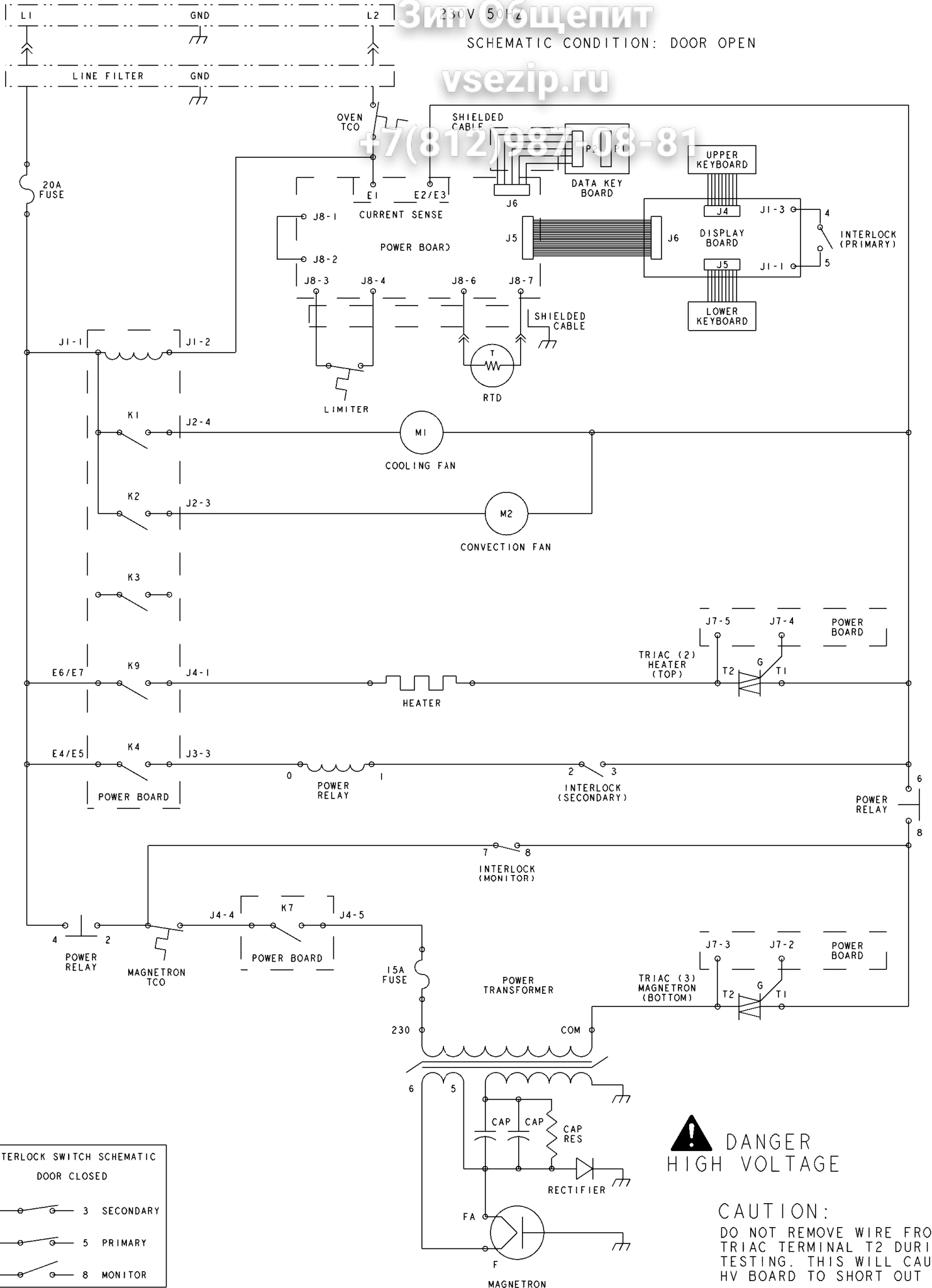
WIRING INFORMATION

230V 50HZ
Зит Общепит

SCHEMATIC CONDITION: DOOR OPEN

vsezip.ru

+7(812)987-08-81



⚠ DANGER HIGH VOLTAGE

CAUTION:
DO NOT REMOVE WIRE FROM TRIAC TERMINAL T2 DURING TESTING. THIS WILL CAUSE HV BOARD TO SHORT OUT