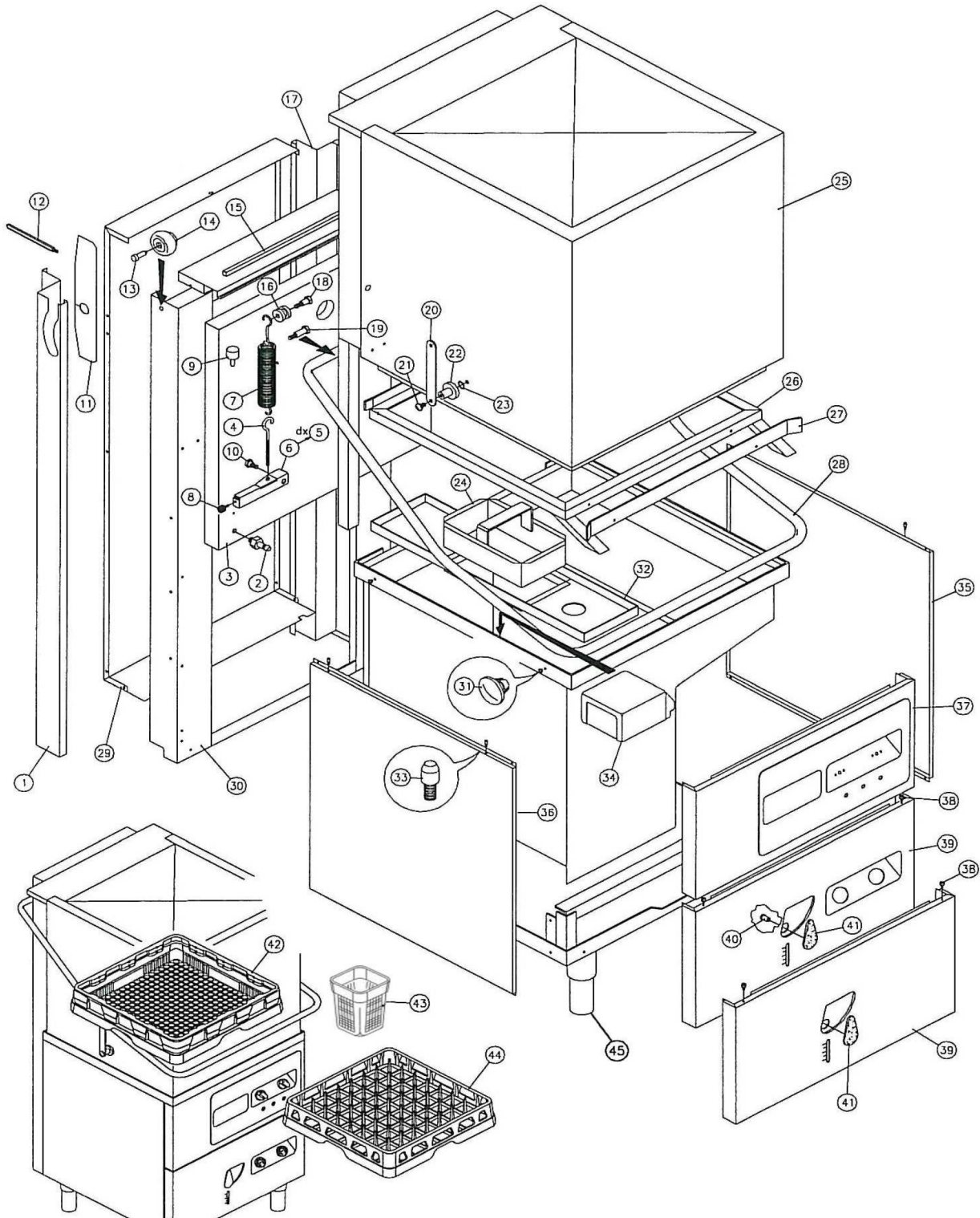


MODEL	LC 50	TYPE	3 H 3H
MODEL	LC 65	TYPE	3
MODEL		TYPE	
MODEL		TYPE	
MODEL		TYPE	





SPARE PARTS LIST

Структура Общепит

TABLE

9140370

REVISIONED
20.02.2008

Pag. 2

01/01/1997

VALID FROM
vsczip.ru

+7(812)987-08-81

POS.	MOD.	CODE	REF.	REF.	REF.	DESCRIPTION	NOTES
1		743121	0			Left rear covering	on request
2		230603	0			Runner pin	
3		743114	0			Tank back	on request
4		230620	0			Spring tie-rod	
5		644552	0			Bracket for spring support hook (right)	on request
6		644553	0			Bracket for spring support hook (left)	on request
7		238517	0			Handle spring	
8		277563	0			Vibration-proof cover stopping	
9		277564	0			Vibration-proof element 25x20	
10		230615	0			Bracket pin	
11		262015	0			Buttonhole protection	
12		221560	0			Protection runner pin	
13		230609	0			Runner roller pin	
14		260011	0			Cover runner roller	
15		271227	0			Labyrinth watertight gasket	
16		260017	0			Cover spring fixing roller	
17		743120	0			Rear covering	on request
18		230613	0			Spring roller pin	
19		230614	0			Handle pin	
20		645181	0			Right rear covering	
21		230616	0			Rod blocking pin	
22		230610	0			Cover lifting pin	
23		218570	0			Retaining ring OR 3118	
24		743124	0			Percolating drawer	on request
25		743126	0			Hood	on request
26		743125	0			Baskets runner	on request
27		644545	0			Basket runner strap	on request
28		234093	0			Handle	on request
29		643277	0			Machine back	on request
30		743111	0			Frame	on request
31		267610	0			CLIPS stopper	
32		743123	0			Tank filter	on request
33		230617	0			Panel fixing pin	
34		743122	0			Pump suction filter	on request

Mod. A	LC 50 LC 65	Mod. B	LC 50-3 LC 65-3	Mod. C	Mod. D
Mod. E		Mod. F		Mod. G	Mod. H



SPARE PARTS LIST

3111 Общепит

TABLE

9140370

REVISIONED
20.02.2008

Pag. 3

01/01/1997

VALID FROM
vsezip.ru

+7(812)987-08-81

POS.	MOD.	CODE	REF.	REF.	REF.	DESCRIPTION	NOTES	Euro
35		743115	0			Right side panel	on request	
36		743116	0			Left side panel	on request	
37		743117	0			Upper front panel	on request	
38		230618	0			Front panel pin		
39	A	743118	0			Lower front panel	on request	
	B	743119	0			Lower front panel	on request	
40		270301	0			Rinse aid stopper		
41		260994	0			Rinse-aid black door		
42		260998	0			Flat plastic basket H=110		
43		260999	0			Cutlery container		
44		260997	0			Dish basket 18 dinner plates 16 rimp soup plates		
45		222609	0			Levelling foot		

The prices of the above spare parts may have changed.
 Before committing to purchase, please contact the sales dept,
 to receive price confirmation and availability.

Mod. A	LC 50 LC 65	Mod. B	LC 50-3 LC 65-3	Mod. C	Mod. D
Mod. E		Mod. F		Mod. G	Mod. H