

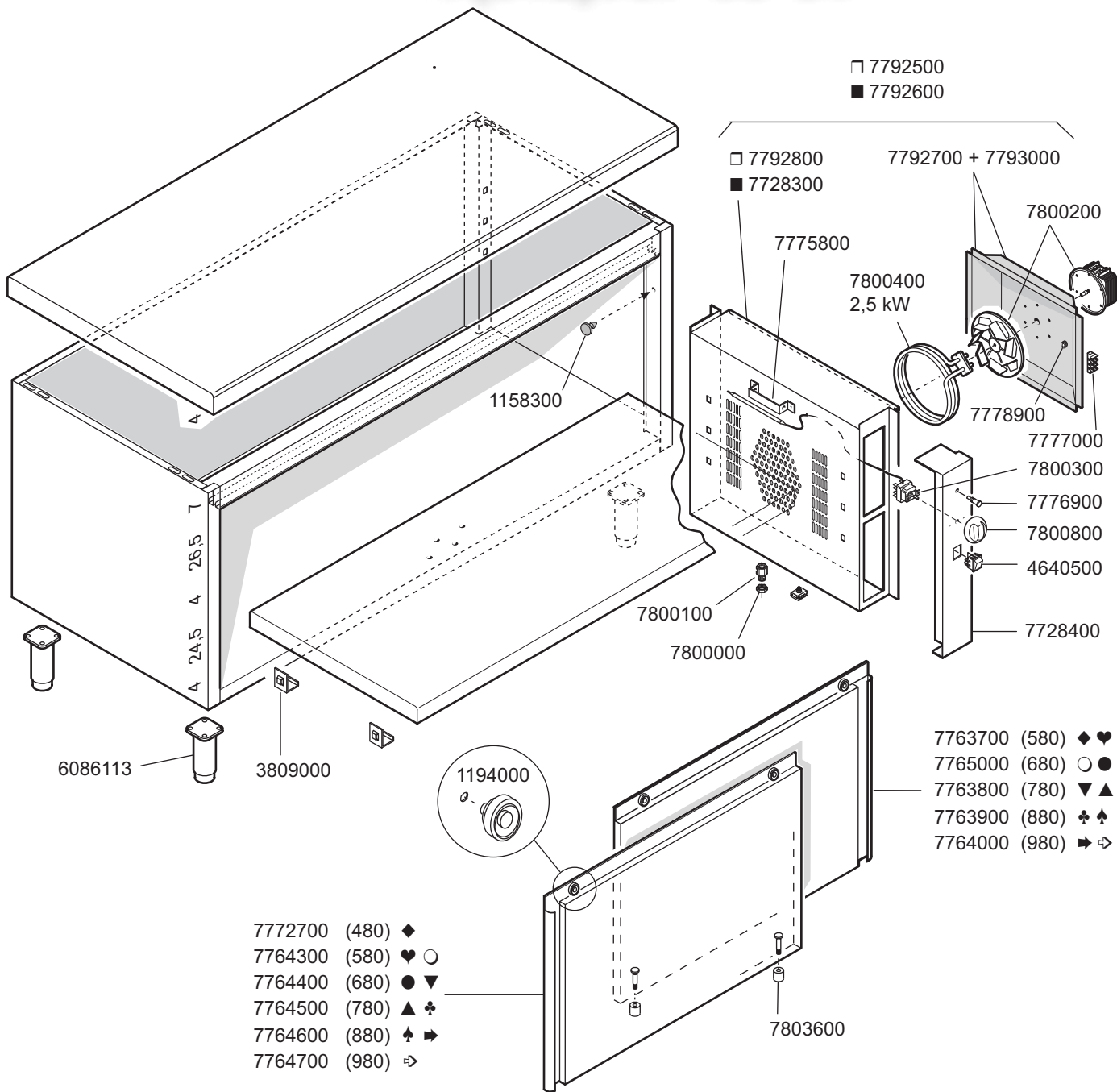
TP 126, 136, 146, 156, 166, 176, 186, 196, 206, 216 ...E 8909100 ÷ 8910000
 TPA 126, 136, 146, 156, 166, 176, 186, 196, 206, 216 ...E 8910100 ÷ 8911000
 TP2 126, 136, 146, 156, 166, 176, 186, 196, 206, 216 ...E 8912100 ÷ 8913000

TAVOLI ARMADI RISCALDATI E NEUTRI
 ELECTRIC HEATED AND NEUTRAL CUPBOARDS
 TABLES ARMOIRES CHAUDES ET NEUTRES
 NEUTRALE UND ELEKTRISCHBEHEIZT
 SCHRANKTISCHE

TP 12, 13, 14, 15, 16, 17, 18, 19, 20, 21 ...E 8929000 ÷ 8929900
 TPA 12, 13, 14, 15, 16, 17, 18, 19, 20, 21 ...E 8930000 ÷ 8930900
 TP2 12, 13, 14, 15, 16, 17, 18, 19, 20, 21 ...E 8933000 ÷ 8933900

da - from - de - ab
07.2000

+7(812)987-08-81



		□ 600	■ 700		
◆ 1200	♥ 1300	○ 1400	● 1500	▼ 1600	▲ 1700
♣ 1800	♠ 1900	➡ 2000	➠ 2100		
ELABORATO:	APPROVATO:	GRUPPO:	DENOMINAZIONE:		
G.Z.		Preparazione - Tavoli	Mobile - Imp. Elettrico		
DATA:	DATA:	PARTICOLARE:	REV. N.	DEL	DISEGNO N.
25 Ott 2000	25 Ott 2000	Disegno esploso per ricambi	▼	▼	▼
SOST. DIS.		CE	Z00	0010	2.1.00.TPC

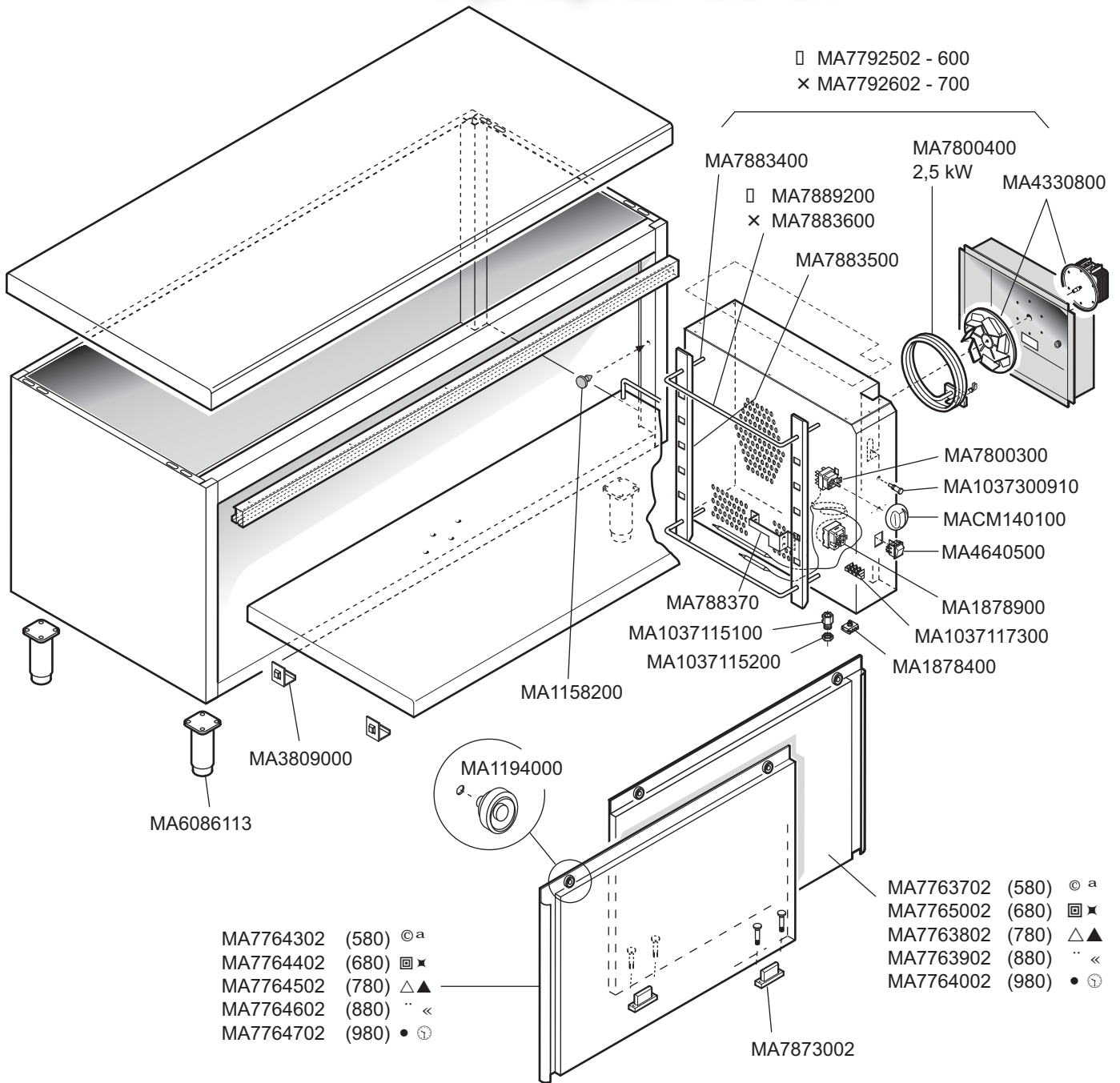
TP 126, 136, 146, 156, 166, 176, 186, 196, 206, 216 ...E MA89091020 + MA89100020
 TPA 126, 136, 146, 156, 166, 176, 186, 196, 206, 216 ...E MA89101020 + MA89110020
 TP2 126, 136, 146, 156, 166, 176, 186, 196, 206, 216 ...E MA89121020 + MA89130020

TAVOLI ARMADI RISCALDATI E NEUTRI
 ELECTRIC HEATED AND NEUTRAL CUPBOARDS
 TABLES ARMOIRES CHAUDES ET NEUTRES
 NEUTRALE UND ELEKTRISCHBEHEIZT
 SCHRANKTISCHE

TP 12, 13, 14, 15, 16, 17, 18, 19, 20, 21 ...E MA89290020 + MA89299020
 TPA 12, 13, 14, 15, 16, 17, 18, 19, 20, 21 ...E MA89300020 + MA89309020
 TP2 12, 13, 14, 15, 16, 17, 18, 19, 20, 21 ...E MA89330020 + MA89339020

da - from - de - ab
04.2002

+7(812)987-08-81



		□ 600 × 700			
© 1200	^a 1300	□ 1400	× 1500	△ 1600	▲ 1700
" 1800	« 1900	• 2000	⌚ 2100		
ELABORATO: G.Z.		APPROVATO:		GRUPPO: <i>Preparazione - Tavoli</i>	
DATA: 25 Ott 2000		DATA: 25 Ott 2000		DENOMINAZIONE: <i>Mobile - Imp. Elettrico</i>	
SOST. DIS. Z00.0010.2.1.00.TPC		<i>Disegno esploso per ricambi</i>		REV. N. ▼ Z01	DEL ▼ 0212
		DISEGNO N. ▼ 2.1.00		CE	

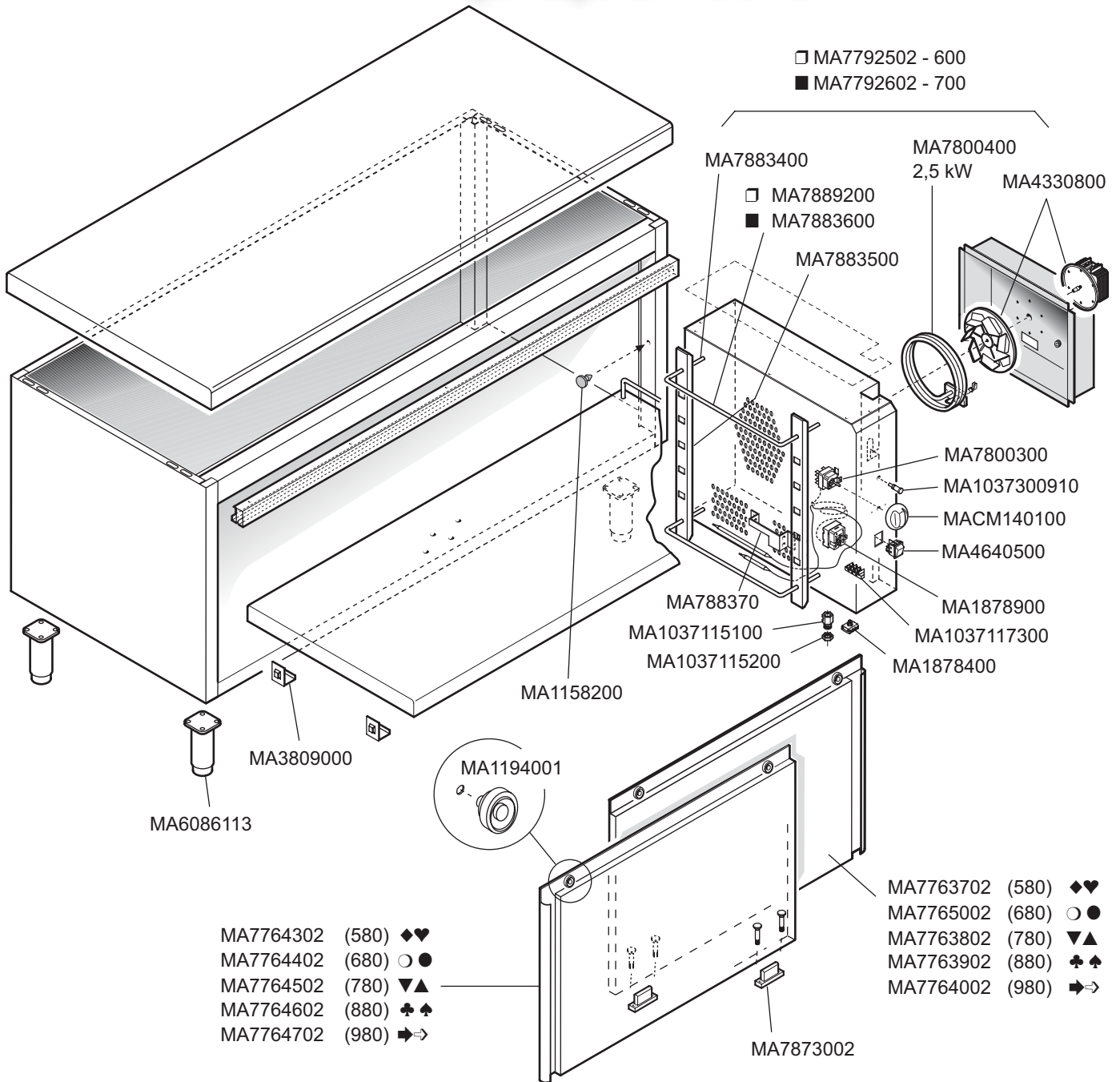
TP 126, 136, 146, 156, 166, 176, 186, 196, 206, 216 ...E MA89091020 + MA89100020
 TPA 126, 136, 146, 156, 166, 176, 186, 196, 206, 216 ...E MA89101020 + MA89110020
 TP2 126, 136, 146, 156, 166, 176, 186, 196, 206, 216 ...E MA89121020 + MA89130020

TAVOLI ARMADI RISCALDATI E NEUTRI
 ELECTRIC HEATED AND NEUTRAL CUPBOARDS
 TABLES ARMOIRES CHAUDES ET NEUTRES
 NEUTRALE UND ELEKTRISCHBEHEIZT
 SCHRANKTISCHE

TP 12, 13, 14, 15, 16, 17, 18, 19, 20, 21 ...E MA89290020 + MA89299020
 TPA 12, 13, 14, 15, 16, 17, 18, 19, 20, 21 ...E MA89300020 + MA89309020
 TP2 12, 13, 14, 15, 16, 17, 18, 19, 20, 21 ...E MA89330020 + MA89339020

> 04.2002

+7(812)987-08-81



		□ 600	■ 700						
◆ 1200	♥ 1300	○ 1400	● 1500	▼ 1600	▲ 1700	♣ 1800	♠ 1900	➔ 2000	⇒ 2100
ELABORATO:		APPROVATO:		GRUPPO:		DENOMINAZIONE:			
G.Z.				Preparazione - Tavoli		Mobile - Imp. Elettrico			
DATA:		DATA:		PARTICOLARE:		REV. N.	DEL	DISEGNO N.	
25 Ott 2000		25 Ott 2000		Disegno esploso per ricambi		▼	▼	▼	
SOST. DIS.		Z00.0010.2.1.00.TPC				Z01	0212	2.1.00	