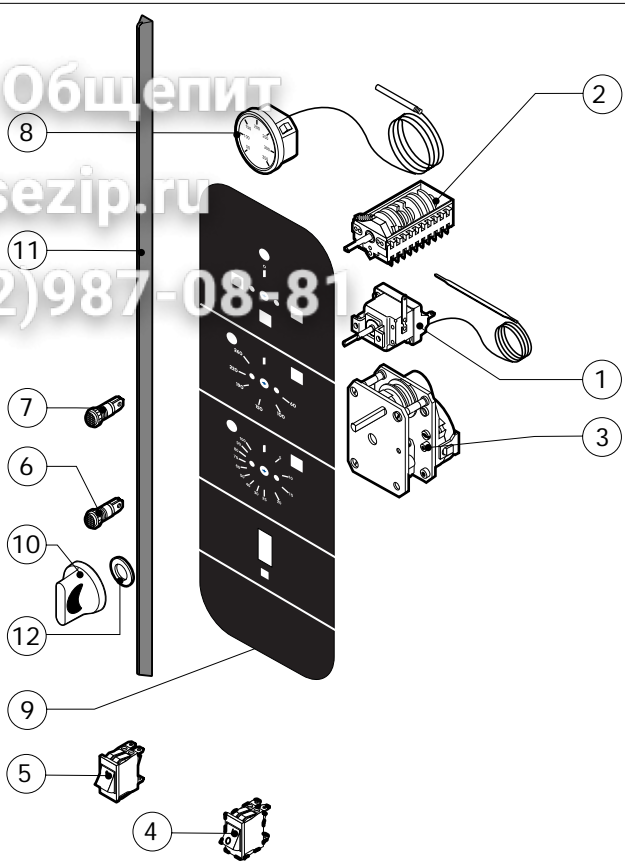
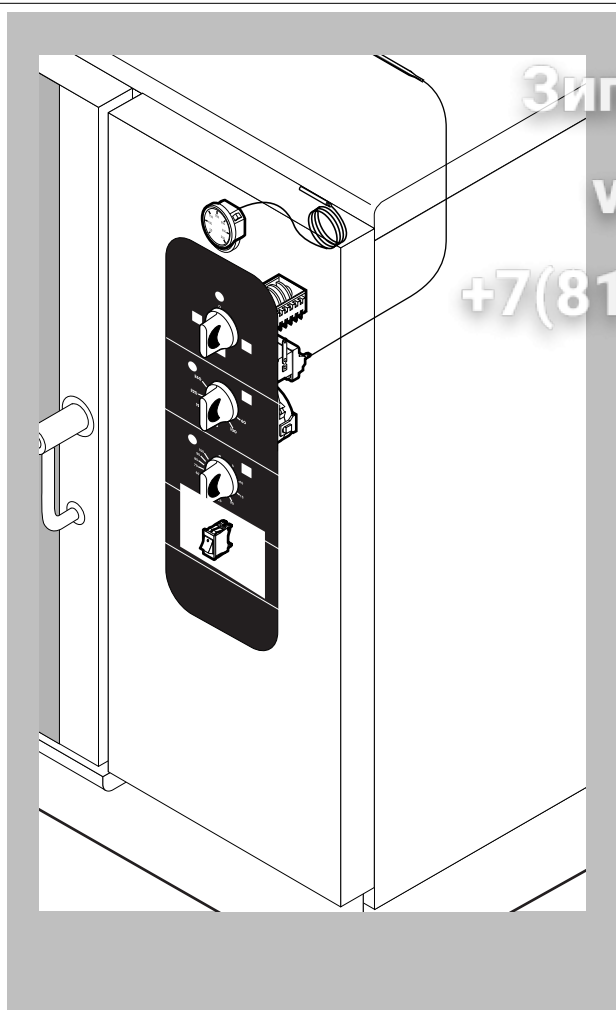


POS.	CODE	PIECES	DESCRIPTION
1	R58003840	1	MOTOR GASKET BRASS FLANGE
2	R58003850	1	MOTOR GASKET BRASS COUNTER FLANGE
3	R58004000	1	FAN SCREW M12x1.5 SX
4	R58004010	1	FAN WASHER Ø 30/12.5
5	R61020562	1	FAN SCREW TE A2 M6x55
6	R65040061	1	MOTOR HP 1 KIT
7	R65060050	1	COMPONENTS VENTILATION MOTOR Ø 120
8	R65070070	1	CHAMBER SAFETY THERMOSTAT
9	R65090190	1	REVERSING SWITCH 8"
10	R65115040	1	SOLENOID VALVE 220V 50HZ WITH FLOW REDUCER
11	R65140150	2	CONTACTOR 3TF4011-OAUO 240V
12	R65140240	4	CONTACTOR 3TF4211-OAUO 240V
13	R65160050	1	THERMIC SWITCH SUPPORT 3UX1418
14	R65160120	1	THERMIC PROTECTION 3UA5000-1C 1.6-2.5A
15	R65180430	1	TRANSFORMER 40VA
16	R65200200	1	FUSE 2A
17	R65200350	1	FUSE 0.4A (T)
18	R65210020	2	FUSE CARRIER
19	R65220130	1	TERMINAL BOARD

POS.	CODE	PIECES	DESCRIPTION
20	R65260540	1	DOOR SWITCH
21	R65280130	1	INTERFERENCE SUPPRESSOR
22	R65280200	3	INTERFERENCE SUPPRESSOR
23	R65330010	1	BUZZER
24	R70020050	1	MOTOR GASKET
25	R75400380	1	FAN Ø 350x120/24 50HZ P.D. KIT

016.40.121 T565 041199 DONADINI & C



Зип Общепит
vsezip.ru
+7(812)987-08-81

POS.	CODE	PIECES	DESCRIPTION
1	R65070210	1	CABINET THERMOSTAT 50/270°C
2	R65080010	1	MAIN SELECTOR SWITCH
3	R65090020	1	TIMER
4	R65260050	1	SWITCH
5	R65260510	1	HUMIDIFIER PUSH BUTTON
6	R65270220	2	ORANGE INDICATING LIGHT
7	R65270230	1	GREEN INDICATING LIGHT
8	R65340050	1	THERMOMETER
9	R67401360	1	MARENO PLATE
10	R69030170	3	KNOB KIT
11	R70042980	1	CONTROL PANEL GASKET
12	R70050020	6	KNOB GASKET

POS.	CODE	PIECES	DESCRIPTION