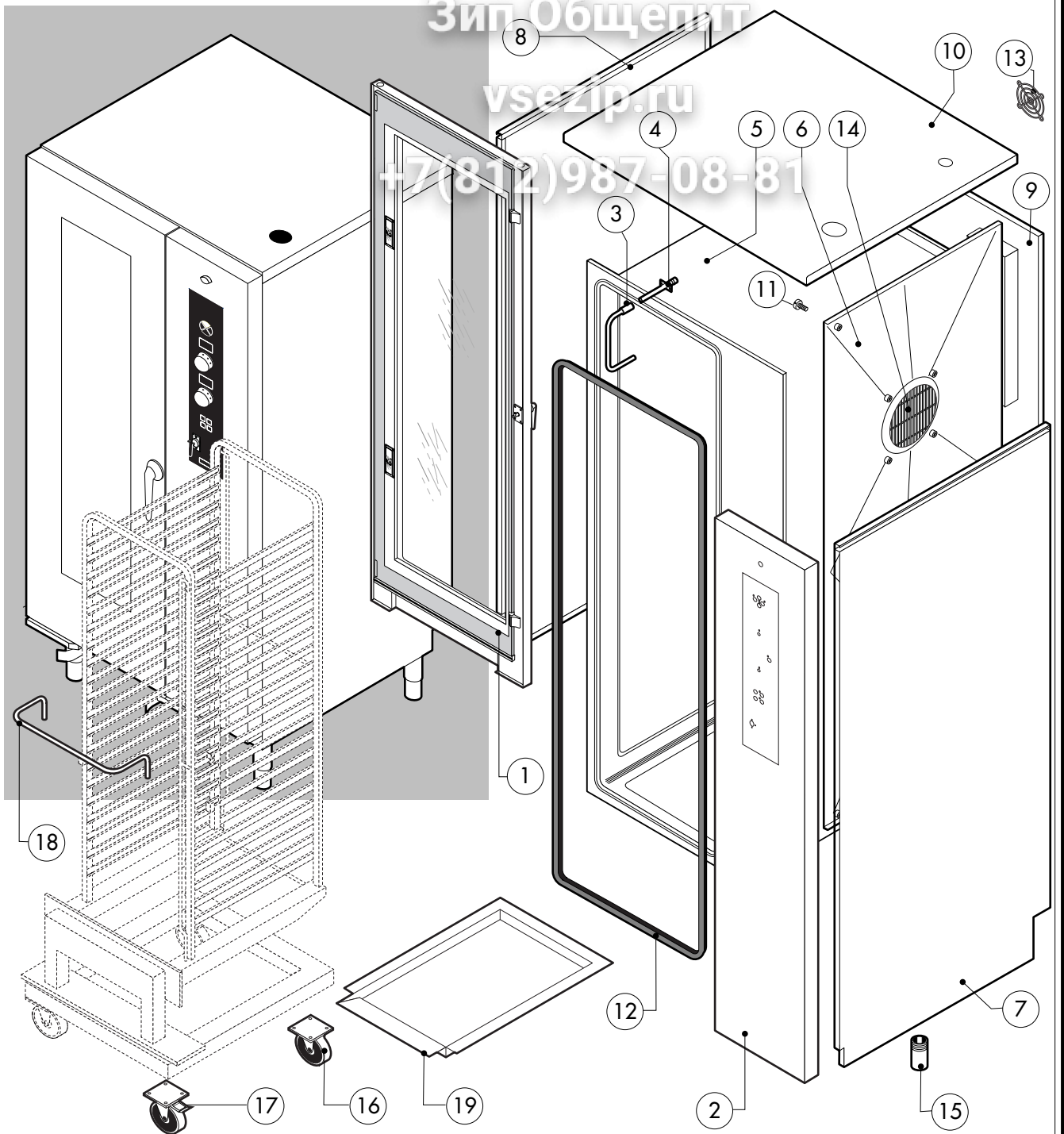


Зип Общепит

vsezip.ru

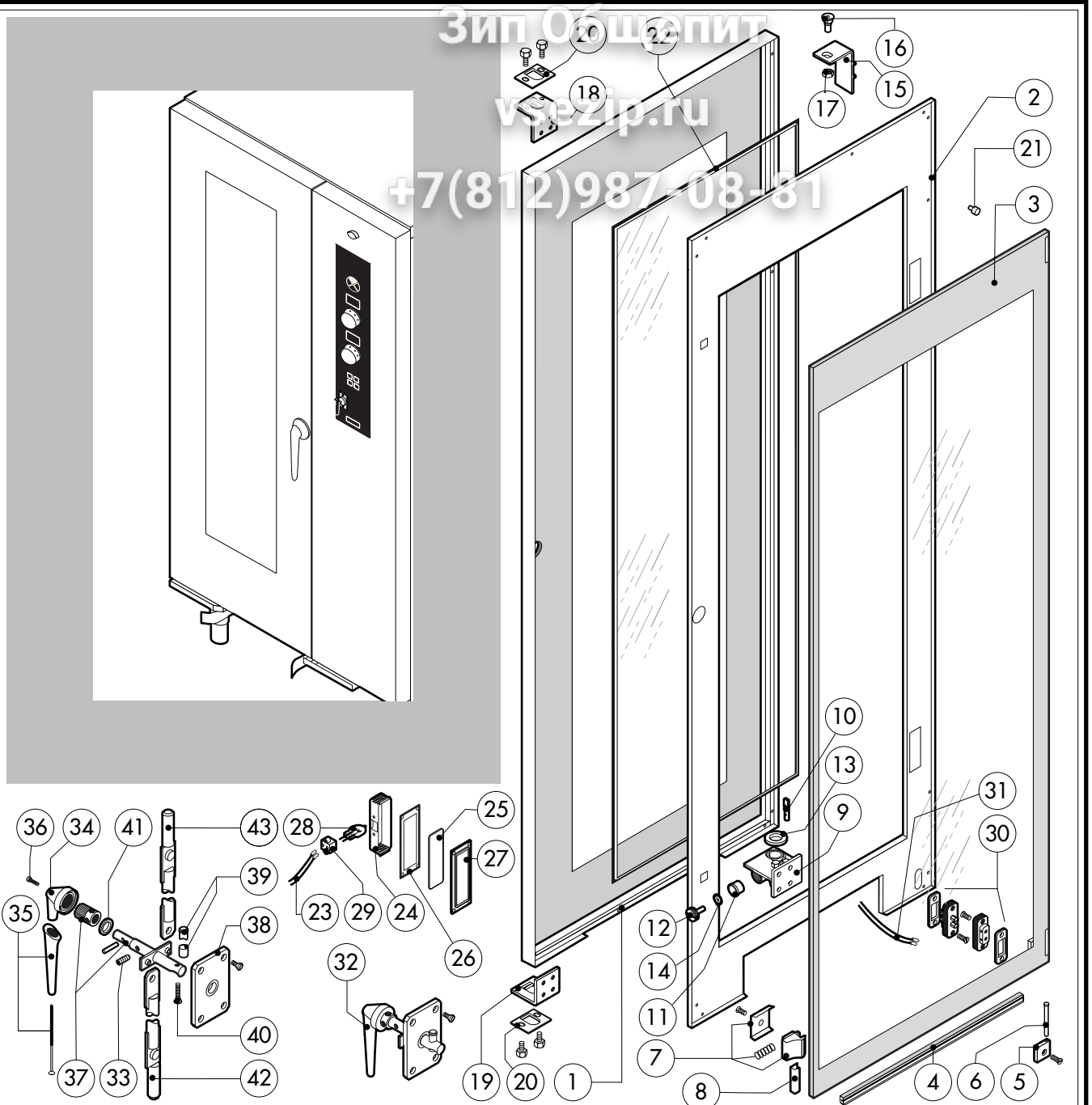
+7(812)987-08-81

016.40.185 016 1 1 90405 DONADINI s.p.a



POS.	CODE	PIECES	DESCRIPTION
1	R14102040	1	DOOR ASSEMBLY
2	R14213470	1	CONTROL PANEL
3	R11201970	2	SPRITZER EXTENSION
4	R11200380	2	SPRITZER UNION
5	R14102210	1	COOKING CABINET ASSEMBLY
6	R14213400	1	FAN GUARD PANEL ASSEMBLY
7	R14212980	1	RIGHT SIDE PANEL
8	R14212990	1	LEFT SIDE PANEL
9	R14213000	1	REAR PANEL
10	R14212930	1	COVER PANEL
11	R58003100	2	FAN GUARD FASTENING SCREW
12	R70044270	1	FRONT GASKET
13	R75300020	1	FAN GUARD GRID Ø 120
14	R75300090	2	FAN GUARD GRID Ø 350
15	R69070020	4	FOOT 1"1/2x1.30
16	R69090090	2	WHEEL
17	R69090100	2	WHEEL WITH BRAKE
18	R14425200	1	HANDLE FOR TROLLEY
19	R14213330	1	TRAY FOR TROLLEY

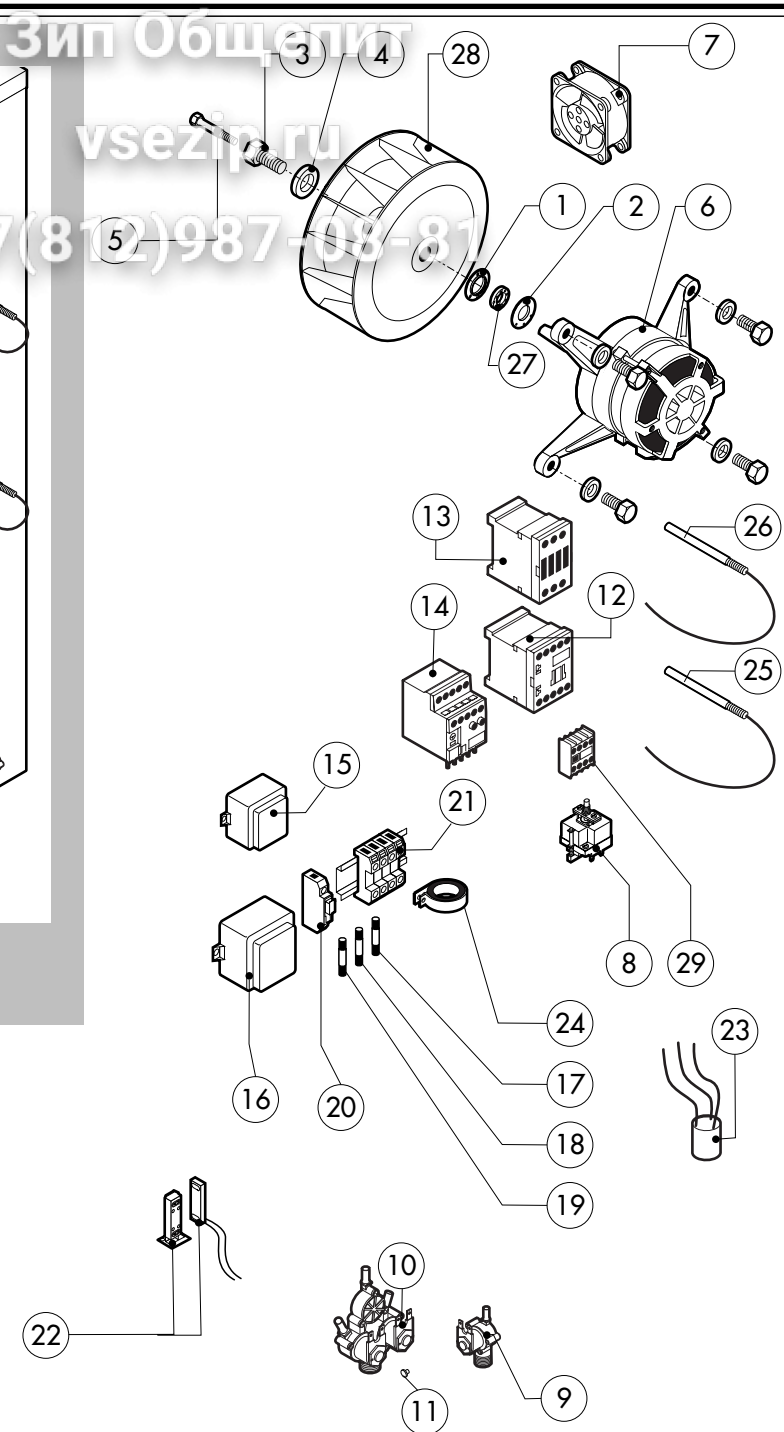
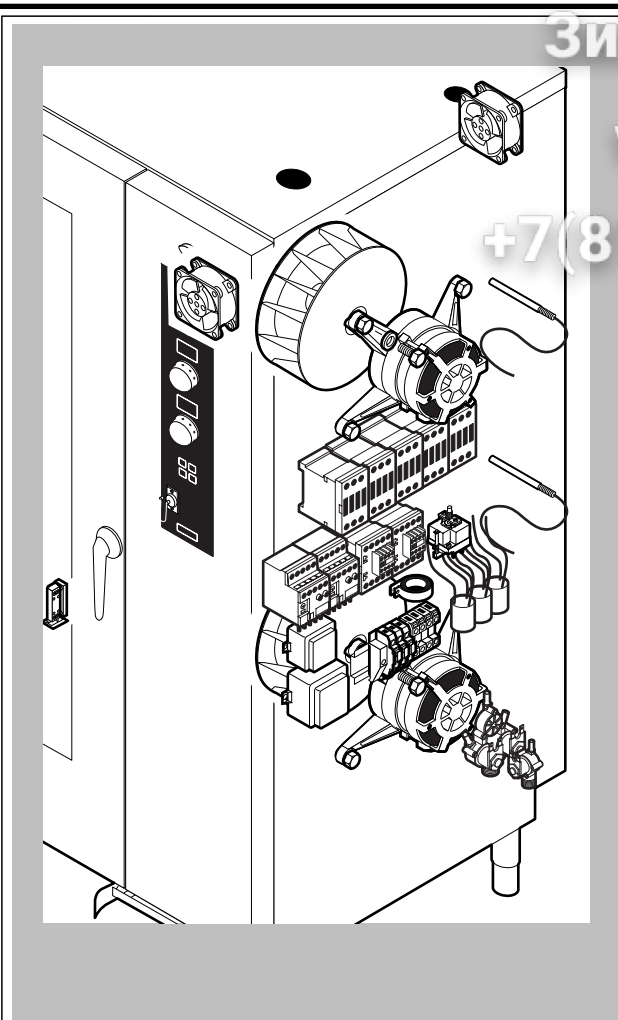
POS.	CODE	PIECES	DESCRIPTION



POS.	CODE	PIECES	DESCRIPTION
1	R14212850	1	DOOR
2	R14212900	1	INNER DOOR PANEL
3	R71201670	1	INNER DOOR GLASS
4	R70044310	1	GASKET FOR TROLLEY(0,7MT)
5	R58001760	2	INNER GLASS SOLID HINGE
6	R58001770	2	INNER GLASS HINGE PIN
7	R58001780	2	INNER GLASS CATCH KIT
8	R11411860	2	"C" PROFILE
9	R11205390	1	LOWER DOOR HINGE WITH RETAINER
10	R58002540	1	DOOR PIVOT SUNK KEY
11	R58002550	1	DOOR RETAINER GUIDE SHOE
12	R58002560	1	SCREW FOR LOWER DOOR HINGE
13	R58002570	1	WASHER Ø 30/15x3
14	R61620091	16	BELLEVILLE WASHER Ø 14/6.4
15	R11200560	1	UPPER DOOR HINGE
16	R58002150	1	HINGE PIN
17	R58004050	1	NUT FOR UPPER DOOR HINGE
18	R11411520	1	UPPER SQUARE FOR DOOR ROD
19	R11205400	1	LOWER SQUARE FOR DOOR ROD
20	R10207680	2	DOOR ROD ADJUSTABLE PLATE
21	R70050100	9	GLASS SILICON SPACERS
22	R70044170	1	GLASS GASKET (3,72MT)

POS.	CODE	PIECES	DESCRIPTION
23	R66110330	1	DOOR LAMPS CABLE SET
24	R11401440	2	LAMP COVER
25	R71500150	2	GLASS LAMP
26	R70044200	2	GLASS LAMP
27	R11401450	2	GLASS HOLDER LAMP FLANGE
28	R65270020	2	LIGHT 20W 12V G4
29	R65270450	2	LIGHT SOCKET
30	R65260750	1	LAMPS CONTACT BLOCK
31	R66110300	1	LAMPS CONTACT CABLE SET
32	R11100310	1	DOOR HANDLE ASSEMBLY
33	R61090052	1	GRUB SCREW M6x16
34	R69010600	1	DOOR HANDLE
35	R69010610	1	HANDLE
36	R61030601	1	CYLINDRICAL HEAD SCREW
37	R11205340	1	DOOR HANDLE PIN
38	R03200970	1	DOOR LOCK REAR FLANGE
39	R58004781	1	DOOR HANDLE HOOK
40	R61040272	1	DOOR HANDLE HOOK SCREW
41	R61420021	1	ELASTIC WASHER
42	R11205381	1	LOWER DOOR ROD
43	R11205370	1	UPPER DOOR ROD

016.40.184.0163 180405 DONADINI srl



POS.	CODE	PIECES	DESCRIPTION
1	R58003840	2	MOTOR GASKET BRASS FLANGE
2	R58003850	2	MOTOR GASKET BRASS COUNTER FLANGE
3	R58004000	2	FAN SCREW M12x1.5 SX
4	R58004010	2	FAN WASHER Ø 30/12.5
5	R61020562	2	FAN SCREW TE A2 M6x55
6	*R65040061	2	MOTOR HP 1 KIT
7	R65060050	2	COMPONENTS VENTILATION MOTOR Ø 120
8	R65070350	1	CHAMBER SAFETY THERMOSTAT
9	R65110200	1	SOLENOID VALVE 220V 50HZ
10	R65110240	1	SOLENOID VALVE 220V 50HZ WITH FLOW REDUCER
11	R65110510	2	15 LT/H WATER FLOW REDUCER
12	*R65140380	2	CONTACTOR 3RT1016-1AP02 240V
13	*R65140400	5	CONTACTOR 3RT1025-1AL20 240V
14	*R65160620	2	THERMIC PROTECTION 3RU1116-1BB0 1,4-2,0A
15	R65180420	1	TRANSFORMER 20VA
16	R65180430	1	TRANSFORMER 40VA
17	R65200200	1	FUSE 2A
18	R65200320	1	FUSE 0.25A (T)
19	R65200080	1	FUSE 0.125A (T)

POS.	CODE	PIECES	DESCRIPTION
20	R65210020	3	FUSE CARRIER
21	R65220130	1	TERMINAL BOARD
22	R65265100	1	DOOR SWITCH
23	*R65280200	3	INTERFERENCE SUPPRESSOR
24	*R65280450	1	FERRITE
25	R65325000	1	PROBE PT100 (1,5 MT LONG)
26	R65325010	1	PROBE PT100 (3 MT LONG)
27	R70020050	2	MOTOR GASKET
28	*R75400440	2	FAN Ø 350x114/12 50HZ P.D. KIT
29	*R65140430	2	AUX.CONTACT 1L+1R 3RH1921-1FA11

*COMPONENT SUBMITTED TO CHANGEMENTS CAUSED BY TENSION DIFFERENT FROM THE STANDARD [3N AC400V 50HZ]

EDIZIONE 0105

EVT 21 D

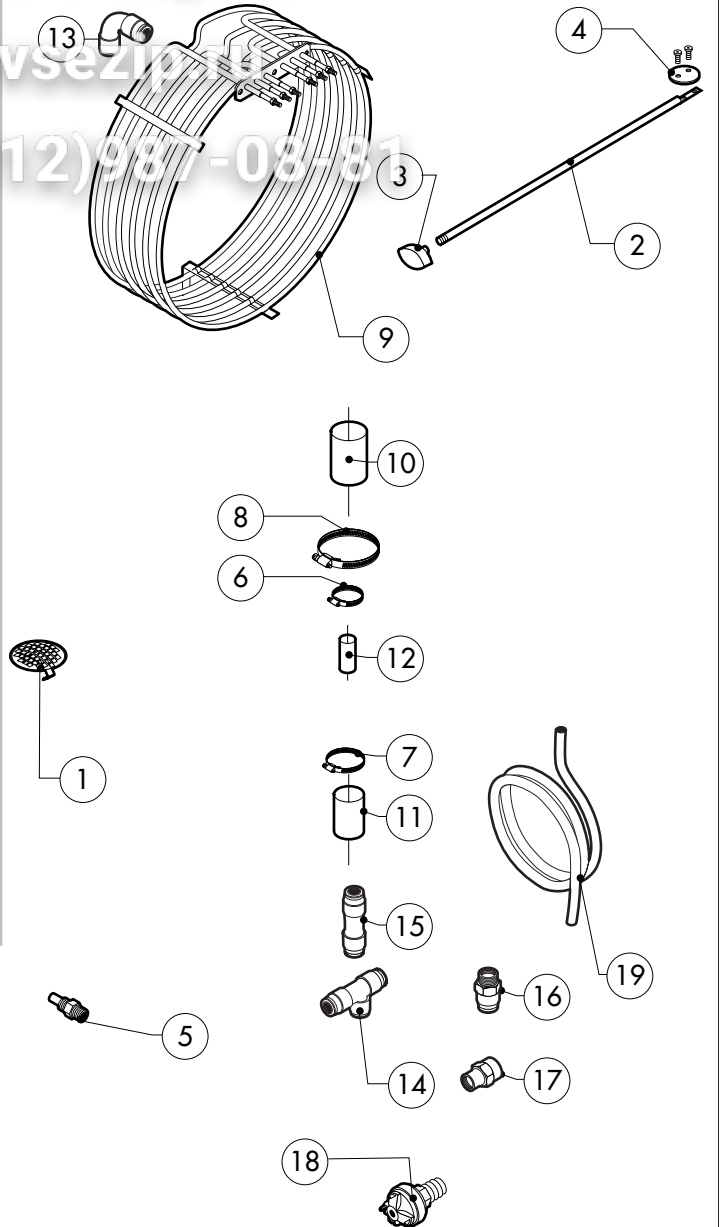
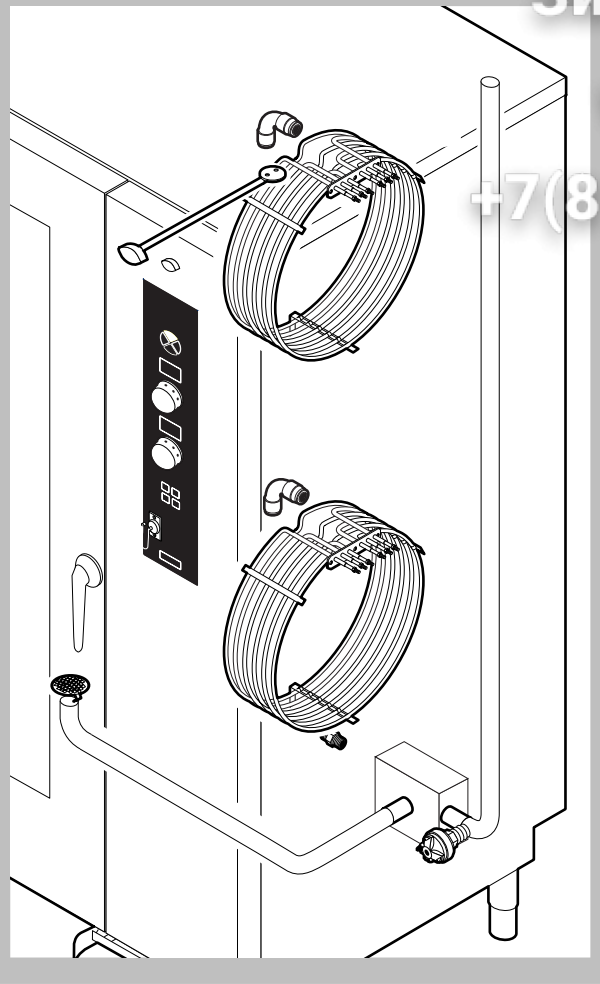
tav. C

016.40.185 0164 180405 DONADINI srl

Зип Общежит

vsezip.ru

+7(812)987-08-81



POS.	CODE	PIECES	DESCRIPTION
1	R10201710	1	DRAIN FILTER
2	R58003760	1	CHAMBER VENT ROD
3	R69010410	1	STEAM OUTLET KNOB
4	R11406870	1	CHAMBER VENT PLATE Ø 76
5	R58006130	2	STEAM QUENCHING NOZZLE Ø 1
6	R61630011	2	METAL CLAMPS 12-22/9
7	R61630021	2	METAL CLAMPS 30-45/9
8	R61630031	2	METAL CLAMPS 40-60/9
9	*R65011310	2	CHAMBER HEATING ELEMENT 15000W
10	R70060040	1	SILICON COUPLING Ø 50
11	R70060010	1	SILICON COUPLING Ø 30
12	R70060080	1	SILICON COUPLING Ø 13
13	R62090478	5	ELBOW MIDLING PIPE FITTING D.10
14	R62090468	1	"T" MIDLING PIPE FITTING D.10
15	R62090458	1	STRAIGHT MIDLING PIPE FITTING D.10
16	R62090508	1	10X1/4 STRAIGHT THREADED TERMINAL PIPE FITTING
17	R62030118	1	1/8"-1/4" FEMALE REDUCTION COUPLING
18	R63070050	1	*WATER SAFETY PRESSURE SWITCH 1/8" 0,5-0,35 BAR
19	R70070040	1	PE D. 10 MM X7 WATER FLEXIBLE PIPE (4 MT LONG)

POS.	CODE	PIECES	DESCRIPTION

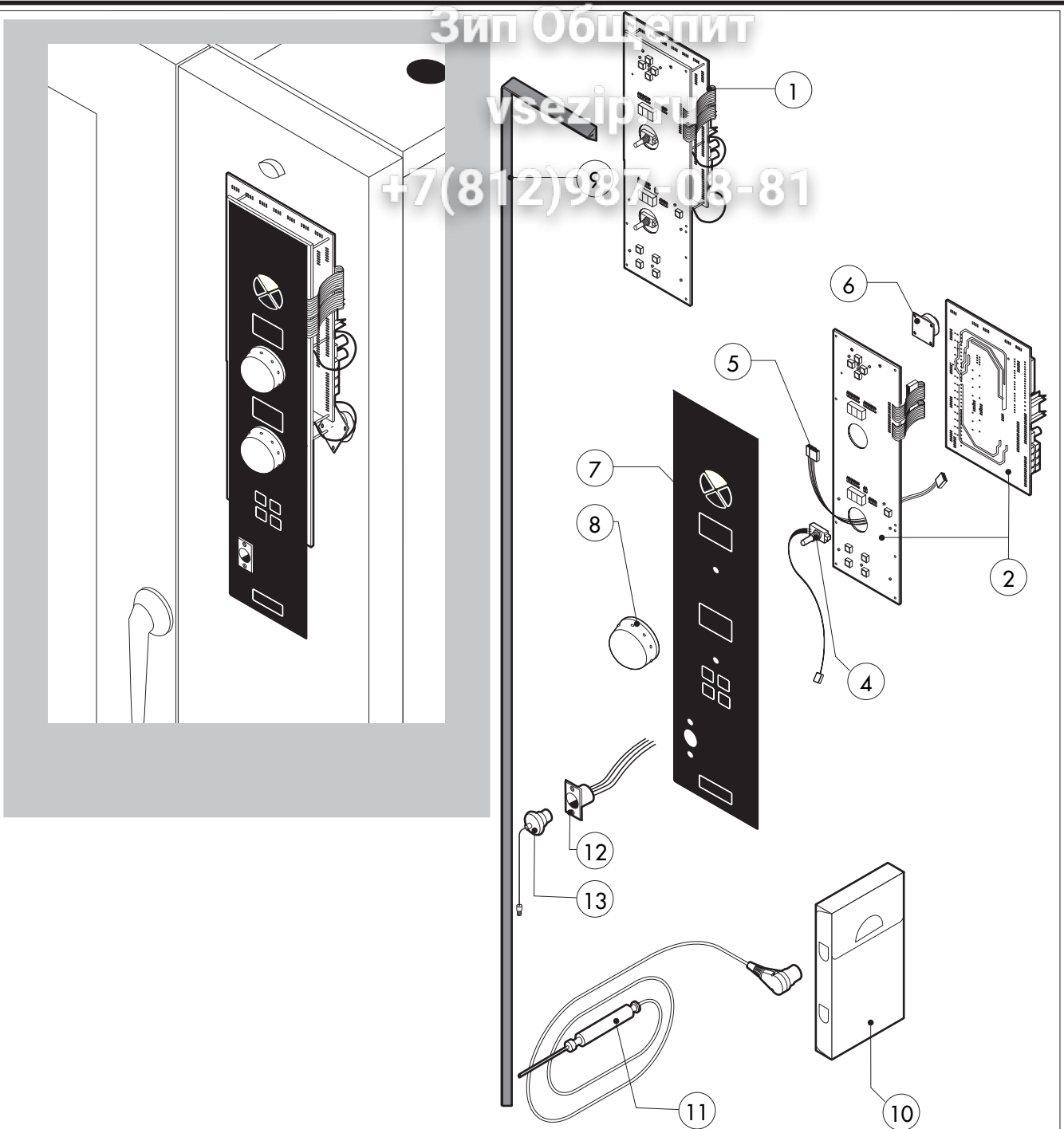
*COMPONENT SUBMITTED TO CHANGEMENTS CAUSED BY TENSION DIFFERENT FROM THE STANDARD [3N AC400V 50HZ]

Зип Обществ

vsezip.ru

+7(812)987-08-81

01.6.40.185.0165 190405 DONADINI s.r.l



POS.	CODE	PIECES	DESCRIPTION
1	R65301300	1	CONTROL PANEL P.C. BOARD
2	R65301320	1	FRONT PC BOARD "D" MOD
4	R65301450	2	FRONT PC BOARD ENCODER
5	R65301340	1	PC BOARD FLAT CABLE
6	R65301440	1	PC BOARD BUZZER
7	R67013090	1	PLATE
8	R69030260	2	KNOB
9	R70044290	1	CONTROL PANEL GASKET
10	R86020420	1	CORE TEMPERATURE PROBE BOX
11	R65321120	1	CORE TEMPERATURE PROBE
12	R65320920	1	CORE TEMPERATURE PROBE FEMALE CONNECTOR
13	R65321020	1	COVER FOR FEMALE CONNECTOR

POS.	CODE	PIECES	DESCRIPTION