

Зип Общепит

vsezip.ru

НОВАРТ

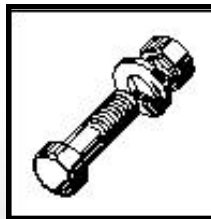
+7(812)987-08-81



EH 60/CHH60D

EH 70/CHH70D

CHH 50



Spare Parts



Зип Общепит

vsezip.ru

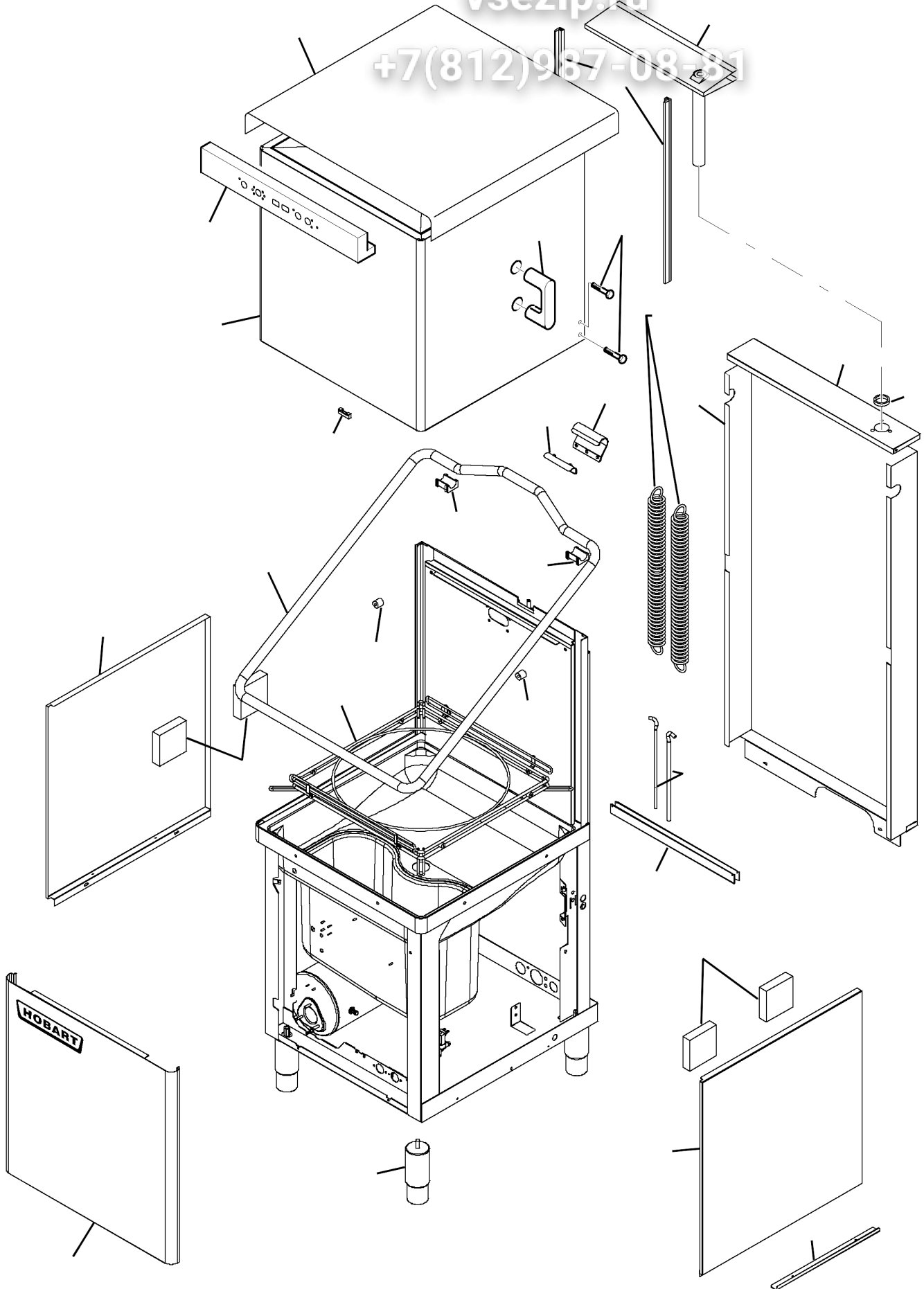
+7(812)987-08-81

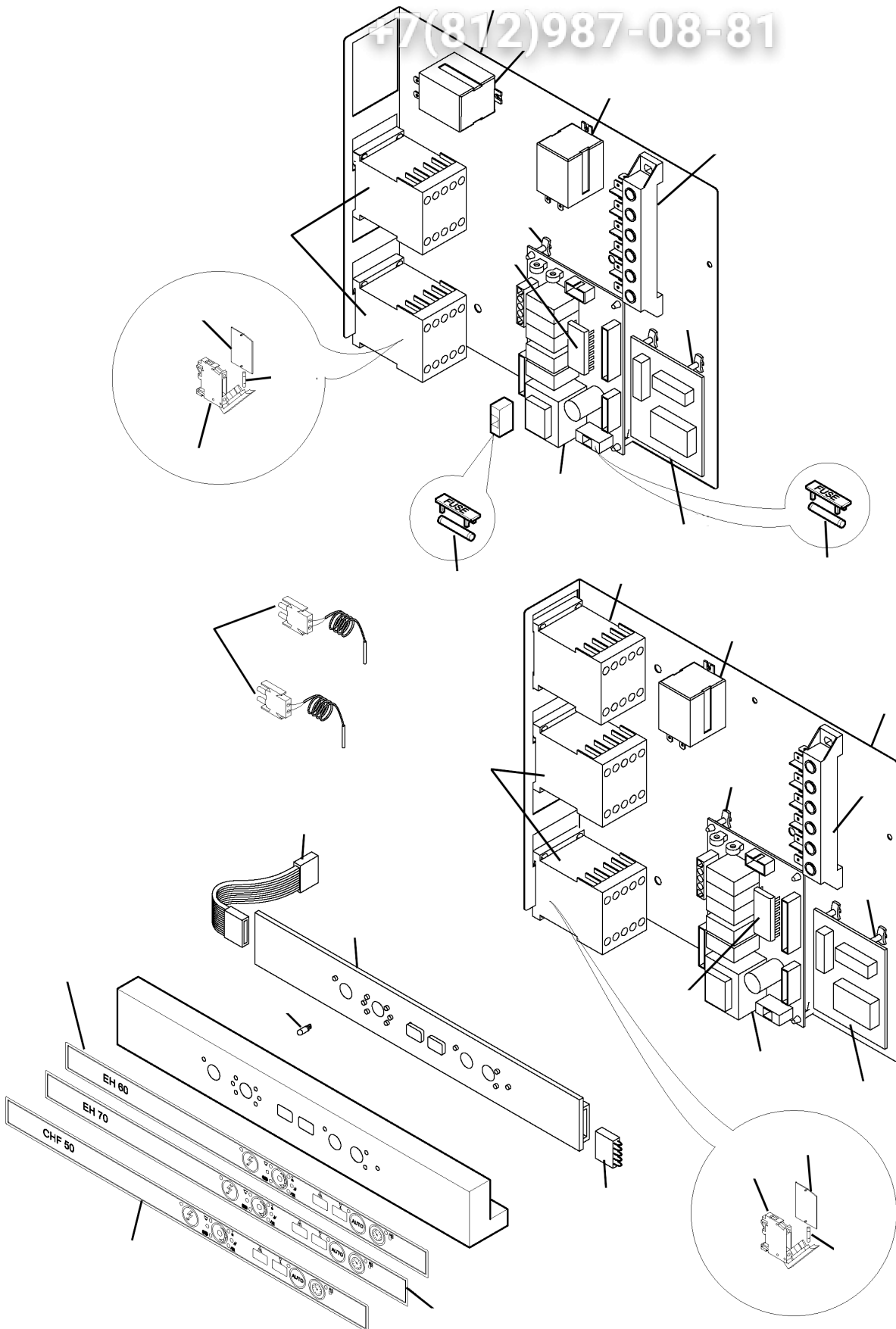
Machine Body

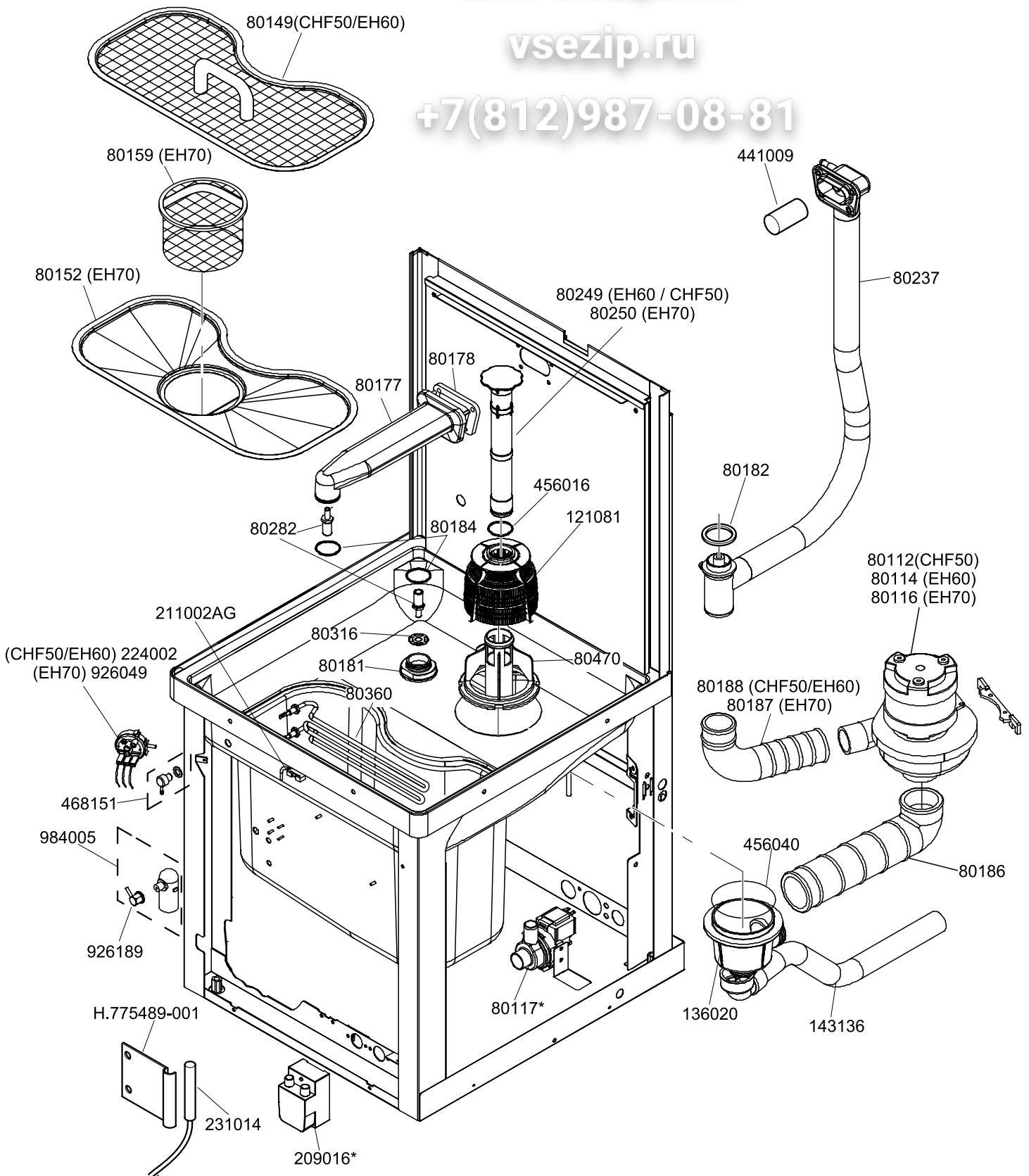
Electrical components

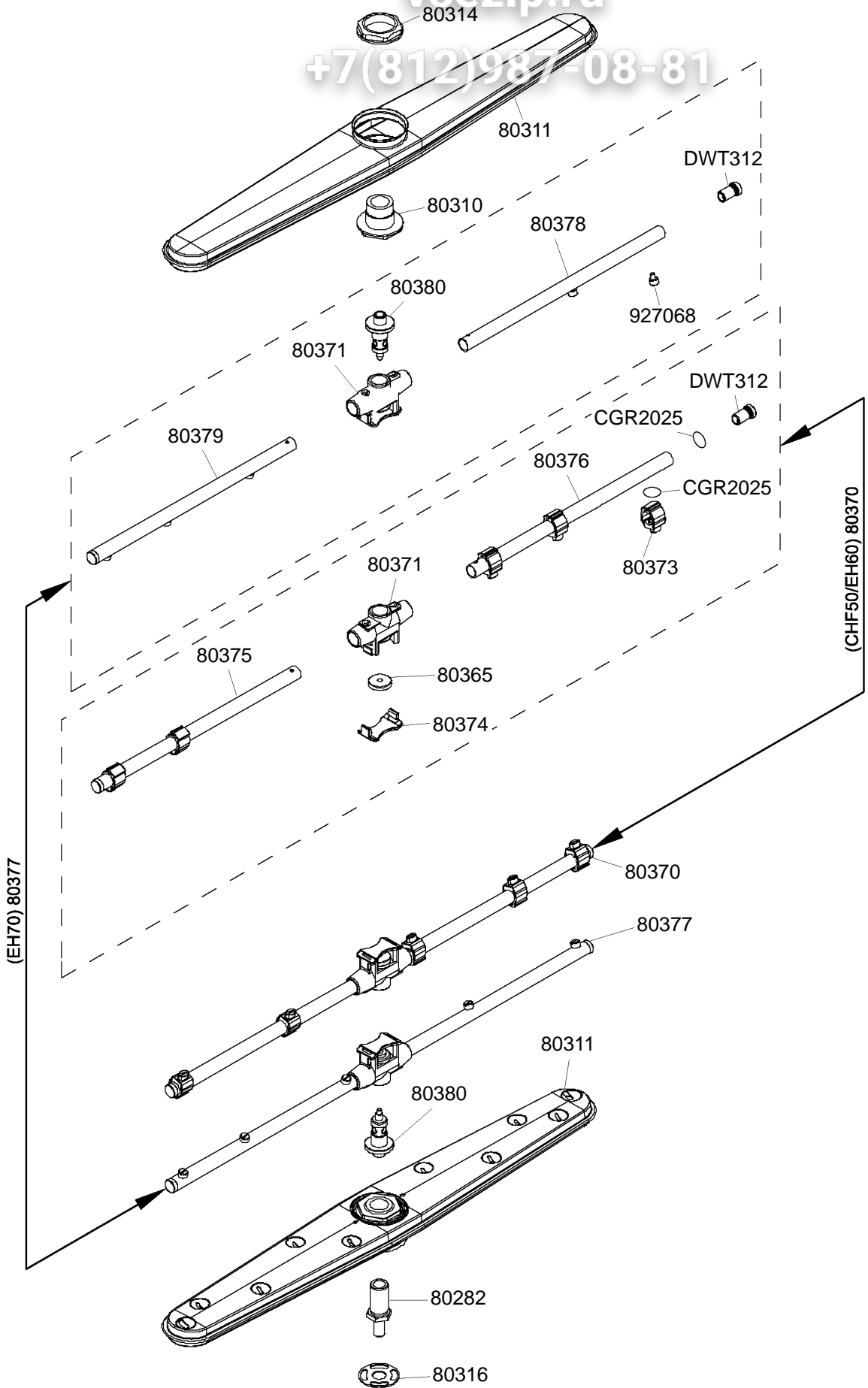
Components in the tank

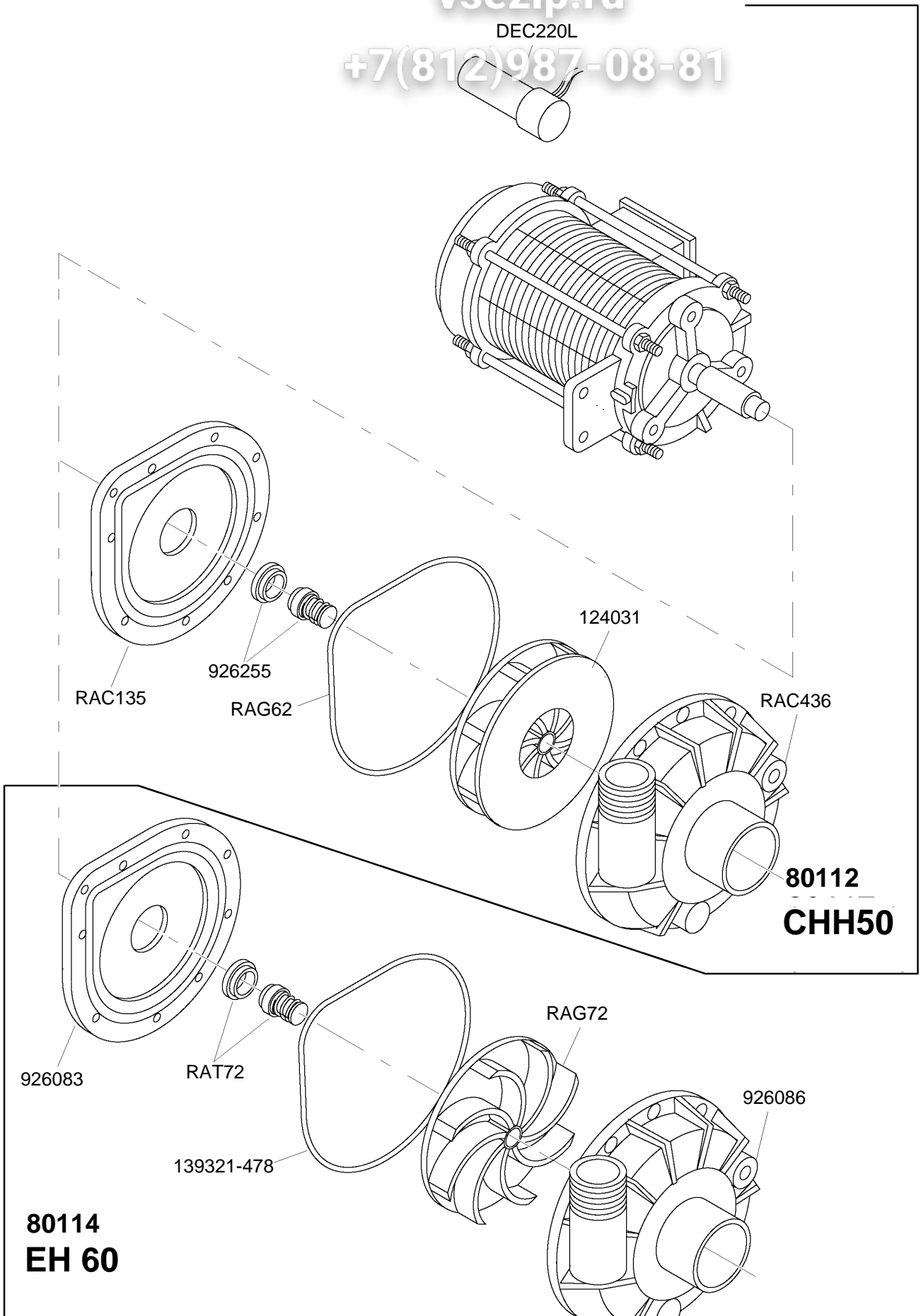
Wash pump

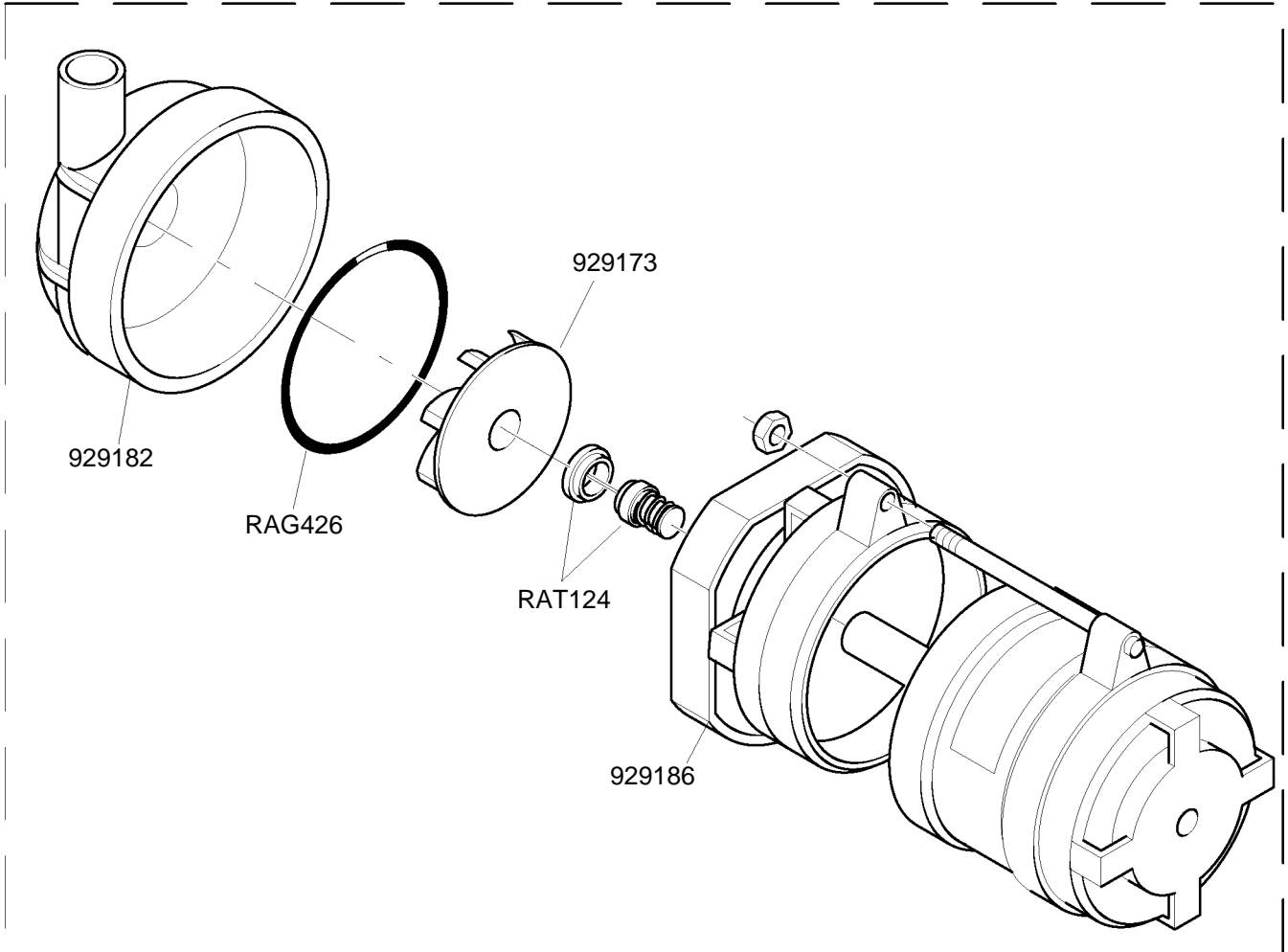






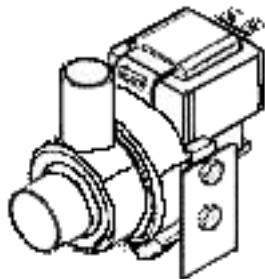






929167

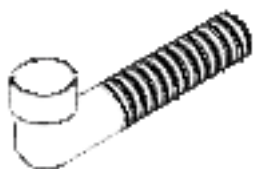
+7(812)987-08-81



Drain Pump 220-240V 50Hz - 139321-1110



Drain Pipe 2000mm (drain pump to drain) DZS151 - 139321-968



Drain Pipe (from machine to pump) - (127056) 139321-969



Jubilee Clip 40/60 -



Jubilee Clip 20/32 - 166513-6



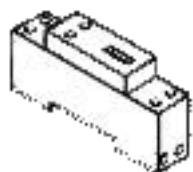
Bolt 6MAx12 -



Lockwasher D6 - LWM-E-3-4



Timer Card (tally drain timer) -



Timer (drain timer) -

Зип Общепит
vsezip.ru
+7(812)987-08-81



As continued product improvement is a policy of HOBART, specifications are subject to change with-out notice.