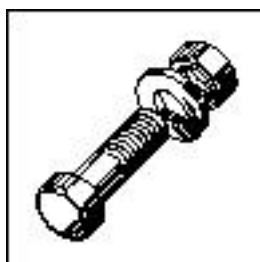


Зип Ощепит



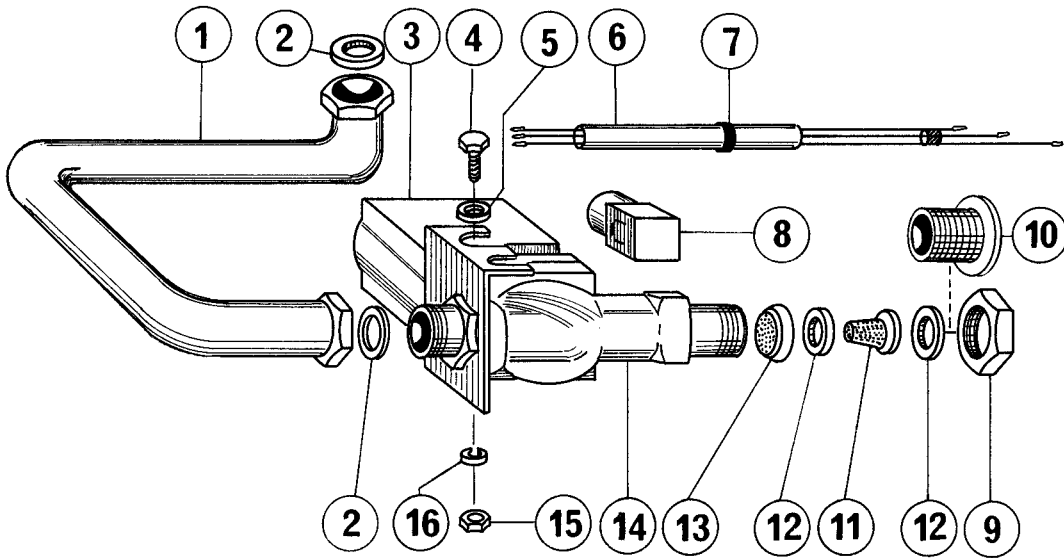
**FM30 / FM30U**



Spare Parts

|                                    |         |
|------------------------------------|---------|
| Solenoid Valve - FM30.....         | 4 - 5   |
| Anti-Siphon-Device - FM30.....     | 6 - 7   |
| Solenoid Valve - FM30U.....        | 8 - 9   |
| Anti-Siphon-Device - FM30U.....    | 10 - 11 |
| Booster .....                      | 12 - 15 |
| Wash & Rinse System.....           | 16 - 19 |
| Strainer System, Drain.....        | 20 - 21 |
| Wash Pump.....                     | 22 - 23 |
| Electric Parts.....                | 24 - 27 |
| Transformer.....                   | 28 - 29 |
| Hood Lift Unit , End Switch.....   | 30 - 31 |
| End Switch, Door Spring.....       | 32 - 33 |
| Rinse Booster Pump.....            | 34 - 37 |
| Detergent-Dispenser - FM30.....    | 38 - 39 |
| Rinse Agent Dispenser - FM30.....  | 40 - 41 |
| Detergent-Dispenser - FM30U.....   | 42 - 43 |
| Rinse Agent Dispenser - FM30U..... | 44 - 45 |
| Drain Pump - FM30U.....            | 46 - 47 |
| Panel, Extension Piece.....        | 48 - 49 |
| Supporting Frame - FM30U.....      | 50 - 51 |

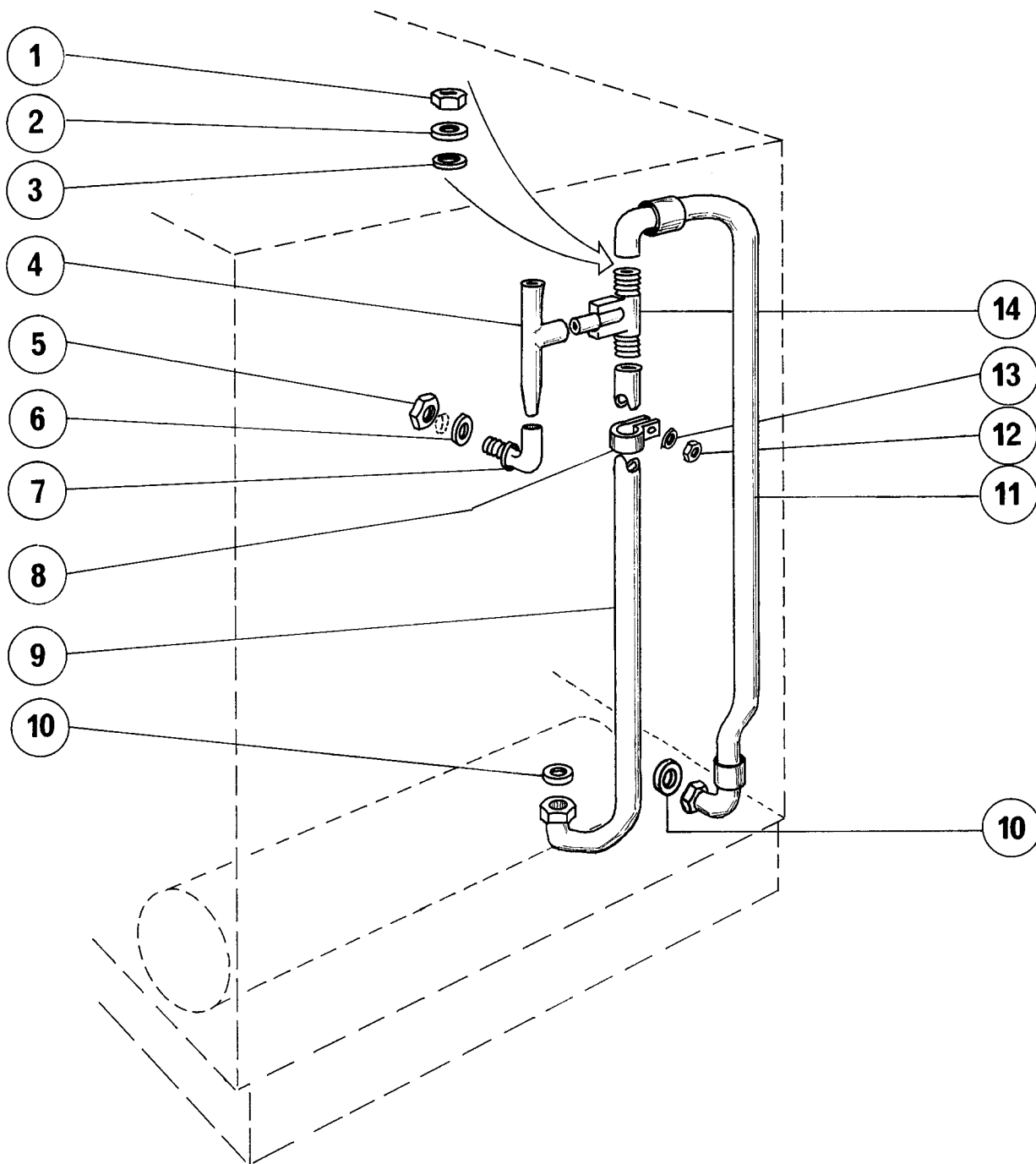
+7(812)987-08-81



PLE 100 540

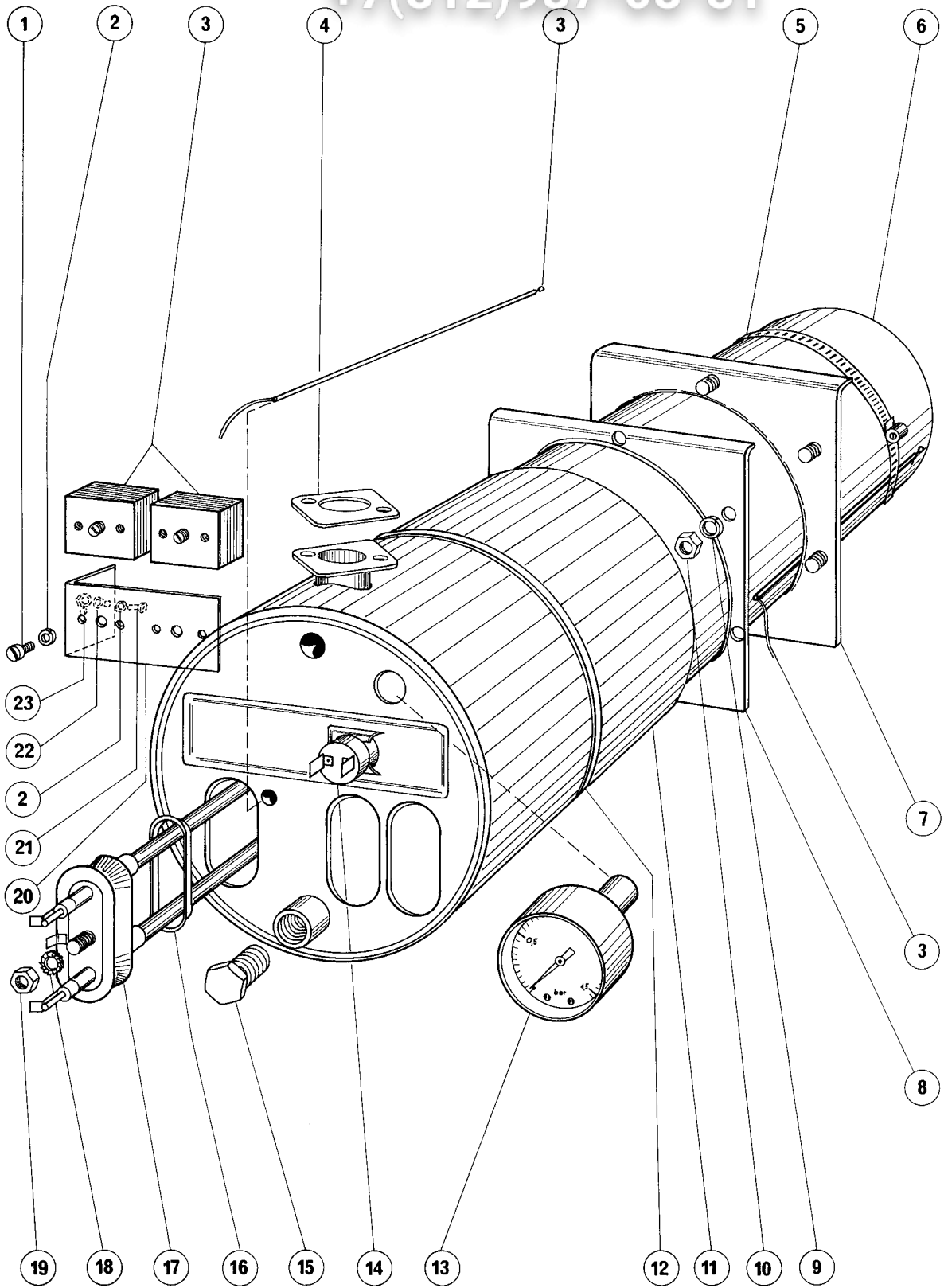
| key no.<br>réf.<br>Pos. Nr. | part no.<br>pièces no.<br>Teile-Nr. | part name<br>nom de la pièce<br>Teile-Benennung                                                                                                                                     | qty.<br>qté.<br>Stck. |
|-----------------------------|-------------------------------------|-------------------------------------------------------------------------------------------------------------------------------------------------------------------------------------|-----------------------|
| 1                           | 228885                              | connecting pipe, assembly<br>tuyauterie de liaison, ensemble<br>Verbindungsleitung, komplett                                                                                        | 1                     |
| 2                           | 168611-9                            | gasket<br>joint<br>Dichtung                                                                                                                                                         | 1                     |
| 3                           | 228695-20*                          | coil<br>bobine<br>Spule 220/50                                                                                                                                                      | 1                     |
|                             | 228695-23*                          | coil<br>bobine<br>Spule 230-250/50                                                                                                                                                  | 1                     |
|                             | 228685-27*                          | coil<br>bobine<br>Spule 220-230/60                                                                                                                                                  | 1                     |
| 4                           | SCM-E-13-24                         | hexagon head screw, M 6 x 16 (s.st.)<br>visH, M 6 - 16 (inox)<br>Sechskantschraube DIN 933- M 6 x 16- A2                                                                            | 2                     |
| 5                           | WAM-E-8-28                          | plain washer M 6 (s.st.)<br>rondelle M 6 N (inox)<br>Scheibe DIN 125-6.4-A2                                                                                                         | 1                     |
| 6                           | 228711                              | cable, assembly<br>faisceau électrique, ensemble<br>Kabelsortiment                                                                                                                  | 1                     |
| 7                           | 227748-1                            | cable protecting sleeve<br>gaine de cable<br>Kabeldurchführungstülle                                                                                                                | 1                     |
| 8                           | 228905-2                            | plug<br>fiche<br>Stecker                                                                                                                                                            | 1                     |
| 9                           |                                     | union nut R3/4"<br>écrou-raccord R 3/4"<br>Überwurfmutter 4374-R 3/4" (not with rinse booster pump)<br>(pas avec pompe elevatrice de pression)<br>(nicht bei Drucksteigerungspumpe) | 1                     |
| 10                          |                                     | screwed socket<br>piece filetee<br>Einschraubteil 4372 18-G 3/4                                                                                                                     | 1                     |
| 11                          | 227984                              | filter basket<br>panierfiltre<br>Korbfilter                                                                                                                                         | 1                     |
| 12                          | 165178                              | rubber gasket<br>joint caoutchouc<br>Gummidichtung                                                                                                                                  | 2                     |
| 13                          | 228895-1                            | flow control<br>regulateur de debit<br>Mengenregler (not with rinse booster pump)<br>(pas avec pompe elevatrice de pression)<br>(nicht bei Drucksteigerungspumpe)                   | 1                     |
| 14                          | 228695-1*                           | solenoid valve with adaptor, assembly<br>electrovanne avec piece de jonction, ensemble<br>Magnetventil mit Anschlußstück, komplett 220150                                           | 1                     |
|                             | 228695-2*                           | solenoid valve with adaptor, assembly<br>electrovanne avec piece de jonction, ensemble<br>Magnetventil mit Anschlußstück, komplett 220-250/50                                       | 1                     |
|                             | 228695-3*                           | solenoid valve with adaptor, assembly<br>electrovanne avec piece de jonction, ensemble<br>Magnetventil mit Anschlußstück, komplett 220-230/60                                       | 1                     |
| 15                          | NUM-E-3-2                           | hexagon nut, M 6 (s.st.)<br>écrouH, M 6 (inox)<br>Sechskantmutter DIN 934- M 6 - A 2                                                                                                | 2                     |
| 16                          | LWM-E-3-1                           | LWM-E-3-1, single coil lockwasher, M 6 (s.st.)<br>rondelle WZ 6 (inox)<br>Federring DIN 127 - B 6 - A2                                                                              | 2                     |
|                             | 228695-40*                          | spare parts kit - solenoid valve<br>kit pieces de rechange - electrovanne<br>Ersatzteil-Set - Magnetventil                                                                          | 1                     |
|                             |                                     | indicate solenoid valve producer please<br>s.v.p. indiquer les coordonnees du fabricant d'électrovannes<br>bitte Magnetventil-Hersteller angeben                                    |                       |

+7(812)987-08-81



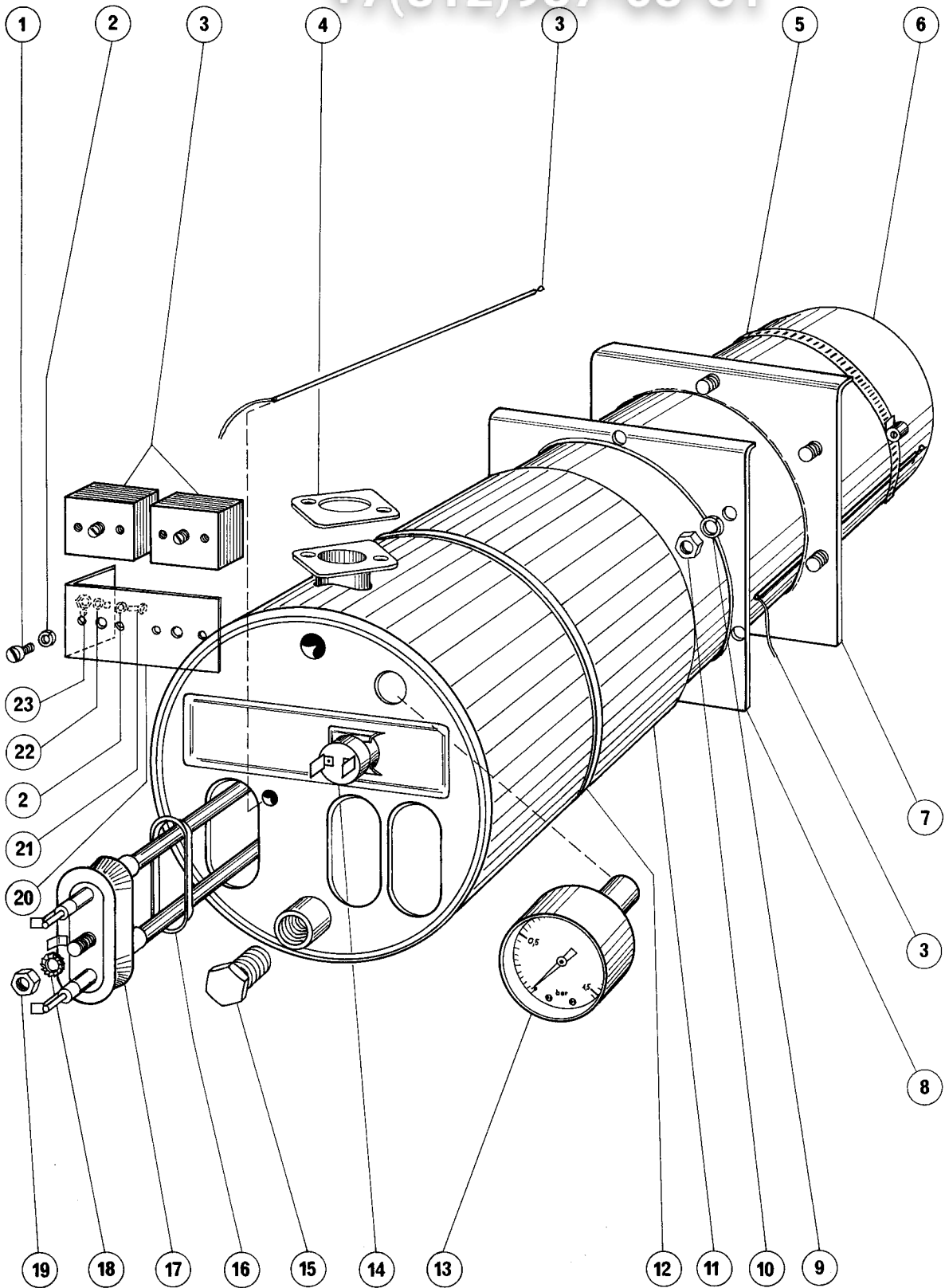
PLE 100 508

| key no.<br>ref.<br>Pos. Nr. | part no.<br>pieces no.<br>Teile-Nr. | part name<br>nom de la pièce<br>Teile-Benennung                                                   | qty.<br>qté.<br>Stck.                                                          |
|-----------------------------|-------------------------------------|---------------------------------------------------------------------------------------------------|--------------------------------------------------------------------------------|
| 1                           |                                     | union nut 4374 - R 5/8"<br>ecrou 4374 - R 5/8"<br>Überwurfmutter 4374-R 5/8"                      | 2                                                                              |
| 2                           | 228694-1                            | washer 20,5 x 18,1 x 0,5<br>rondelle 20,5 x 18,1 x 0,5<br>Scheibe 20,5 x 18,1 x 0,5               | 2                                                                              |
| 3                           | 276903-4                            | "o"-ring 1 a x 1,3<br>joint torique 1 a x 1,3<br>O-Ring 18 x 1,3                                  | 2                                                                              |
| 4                           | 228892                              | hose, assembly<br>tuyau, ensemble<br>Schlauch, komplett                                           | 1                                                                              |
| 5                           | 172600                              | nut<br>ecrou<br>Mutter                                                                            | 1                                                                              |
| 6                           | 172513                              | gasket<br>joint<br>Dichtung                                                                       | 1                                                                              |
| 7                           | 166460                              | joining piece, filling<br>raccord de remplissage<br>Anschlußstück Füllung                         | 1                                                                              |
| 8                           | 228715-5                            | mounting bracket<br>collier de fixation<br>Befestigungsschelle                                    | 1                                                                              |
| 9                           | 228699                              | booster heater pipe, assembly<br>tuyauterie de la chaudière, ensemble<br>Boilerleituna. kompl.    | 1                                                                              |
| 10                          | 168611-9                            | gasket<br>joint<br>Dichtung                                                                       | 2                                                                              |
| 11                          | 228696                              | pipe, assembly<br>tuyauterie, ensemble<br>Zuleitung, komplett                                     | 1                                                                              |
| 12                          | NUM-E-2-11                          | NUM-E-2-11, hexagon nut M 4 (s.st.)<br>ecrou H, M 4 (inox)<br>Sechskantmutter DIN 934 - M 4 - A 2 | 1                                                                              |
| 13                          | WAM-E-8-14                          | WAM-E-6-14, plain washer M 4(s.st.)<br>rondelle M 4 N (inox)<br>Scheibe DIN 125-4,3-A2            | 2                                                                              |
| 14                          | 228541                              | anti-siphon-device<br>brise-vide<br>Rücksaugeverhinderer                                          | (not required for U.K.)<br>(pas pour l'Angleterre)<br>(nicht für England)<br>1 |



| key no.<br>réf.<br>Pos. Nr. | part no.<br>pièces no.<br>Teile-Nr. | part name<br>nom de la pièces<br>Teile-Benhnung                                                                                | qty.<br>qté<br>Stck.                                        |   |
|-----------------------------|-------------------------------------|--------------------------------------------------------------------------------------------------------------------------------|-------------------------------------------------------------|---|
| 1                           | SCM-E-2-2                           | recessed raised cheese head screw M 4 x 8 (sst.)<br>vis RM4-8 (inox)<br>Linsenschraube M 4 x 8 DIN 7934 A2                     | 4                                                           |   |
| 2                           | LWM-E-2-2                           | single coil lockwasher, M 4 (sst.)<br>rondeile WZ4 (inox)<br>Federring DIN 127 - B 4 - 1.4310                                  | 6                                                           |   |
| 3                           | B-226 505                           | thermostat<br>thermostat<br>Thermostat                                                                                         | 2                                                           |   |
| 4                           | B-226 643                           | gasket<br>joint<br>Dichtuno                                                                                                    | 1                                                           |   |
| 5                           | 166513-8                            | clamp-hose<br>serre-tuyau<br>Schlauchschelle                                                                                   | 2                                                           |   |
| 6                           | 228627                              | booster<br>chaudiere<br>Boiler                                                                                                 | 1                                                           |   |
| 7                           | 228603                              | flange, assy.<br>bride, ens.<br>Flansch, kompl.                                                                                | 1                                                           |   |
| 8                           | 228602                              | gasket<br>joint<br>Dichtung                                                                                                    | 1                                                           |   |
| 9                           | LWM-E-3-1                           | single coil lockwasher M 6 (s.st.)<br>rondelle WZ6 (inox)<br>Federring DIN 127 - B 6 - 1.4310                                  | 6                                                           |   |
| 10                          | NUM-E-3-2                           | hexagon nut M 6 (sst.)<br>ecrou H M 6 (inox)<br>Sechskantmutter DIN 934- M 6 - A2                                              | 6                                                           |   |
| 11                          | 228750                              | insulation board<br>plaque calorifugue<br>Dammplatte                                                                           | 1                                                           |   |
| 12                          | 169139-2                            | cable binder<br>serre-cable<br>Kabelbinder                                                                                     | 3                                                           |   |
| 13                          | 228632-1                            | pressure gauge<br>manometre<br>Manometer                                                                                       | 1                                                           |   |
| 14                          | 226504                              | temperature limiter<br>limiteur de temperature<br>Temoeraturbearenzer                                                          | 1                                                           |   |
| 15                          | 226989                              | plug-drain<br>bouchon de ridange<br>Blindstoofen                                                                               | 1                                                           |   |
| 16                          | 166202                              | gasket-heating element<br>joint de thermoplongeur<br>Dichtuna fur Heizkörper                                                   | 3                                                           |   |
| 17                          | 228579-1                            | heating element (incl. items no16,18,19)<br>thermoplongeur (compr. ref. 16,18,19)<br>Rohrheizkorper (inkl. Teile Nr. 16,18,19) | 2,5 kW 380/50/3<br>380/50/3/N                               | 3 |
|                             | 228579-2                            | heating element (incl. items no16,18,19)<br>thermoplongeur (compr. ref. 16,18,19)<br>Rohrheizkorper (inkl. Teile Nr. 16,18,19) | 2,5 kW 415/50/3<br>415/50/3/N                               | 3 |
|                             | 228579-3                            | heating element (incl. items no16,18,19)<br>thermoplongeur (compr. ref. 16,18,19)<br>Rohrheizkorper (inkl. Teile Nr. 16,18,19) | 2,5 kW 440/60/3                                             | 3 |
|                             | 227953-1                            | heating element (incl. items no16,18,19)<br>thermoplongeur (compr. ref. 16,18,19)<br>Rohrheizkorper (inkl. Teile Nr. 16,18,19) | 2 kW 220/50/3<br>220/60/3                                   | 3 |
|                             | 227953-2                            | heating element (incl. items no16,18,19)<br>thermoplongeur (compr. ref. 16,18,19)<br>Rohrheizkorper (inkl. Teile Nr. 16,18,19) | 2 kW 240/50/3                                               | 3 |
|                             | 165099-1                            | heating element (incl. items no16,18,19)<br>thermoplongeur (compr. ref. 16,18,19)<br>Rohrheizkorper (inkl. Teile Nr. 16,18,19) | 1,5 kW 220/50/1<br>220/50/3 380/50/3<br>220/60/3 380/50/3/N | 3 |
|                             | 165099-2                            | heating element (incl. items no18,18,19)<br>thermoplongeur (compr. ref. 16,18,19)<br>Rohrheizkorper (inkl. Teile Nr.16,18,19)  | 1,5 kw 240/50/1<br>240/50/3 415/50/3<br>415/50/3-N          | 3 |
|                             | 165099-3                            | heating element (incl. items no16,18,19)<br>thermoplongeur (compr. ref. 16,18,19)<br>Rohrheizkörper (inkl. Teile Nr.           | 1,5kW 440/60/3                                              | 3 |





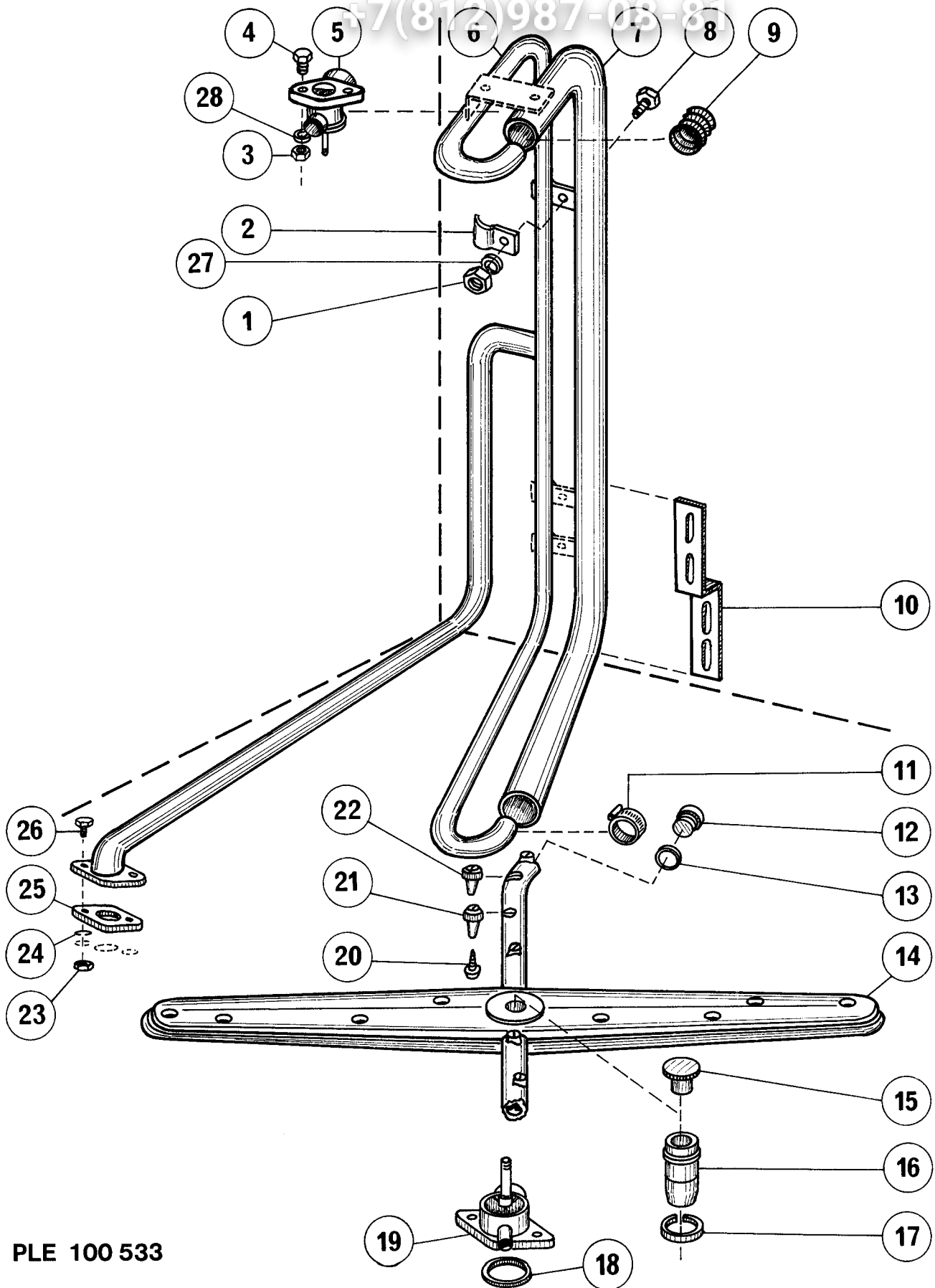
**Booster****Chaudière 7,5/6/4,5 kW****Boiler****FM-30****FM-30 U**

Зип Общепит

vsezip.ru

+7(812)987-08-81

| key no.<br>réf.<br>Pos. Nr. | part no.<br>pièces no.<br>Teile-Nr. | part name<br>nom de la pièce<br>Teile-Benennung                                                                                       | qty.<br>qté<br>Stck.                                          |
|-----------------------------|-------------------------------------|---------------------------------------------------------------------------------------------------------------------------------------|---------------------------------------------------------------|
| 16                          |                                     | toothed lockwasher M 6<br>rondelle DE 6<br>Zahnscheibe DIN 6797 -J 6,4                                                                | 3                                                             |
| 19                          | NUM-E-3-2                           | NUM-E-3-2, hexagon nut M 6 (sst.)<br>ecrou H, M 6 (inox)<br>Sechskantmutter DIN 934- M 6 - A2                                         | 3                                                             |
| 20                          | 228725                              | angle<br>équerre<br>Winked                                                                                                            | 1                                                             |
| 21                          | SCM-E-11-7                          | SCM-E-I 1-7, recessed pan head screw M 4 x 10 (s.st.)<br>vis RL, M 4 - 10 (inox)<br>Linsenschraube DIN 7965 - M 4 x 10 - A2           | 2                                                             |
| 22                          |                                     | washer<br>rondelle<br>Scheibe DIN 125 - 4,3 - A2                                                                                      | 2                                                             |
| 23                          | NUM-E-2-6                           | NUM-E-2-6, hexagon nut M 4 (s.st.)<br>ecrou H, M 4 (inox)<br>Sechskantmutter DIN 934- M 4 - A2                                        | 2                                                             |
|                             | 228626-3                            | booster, assy. (incl. items no. 6,11-14,17)<br>chaudiere, ens. (compr. ref.6,11-14,17)<br>Boiler, kompl. (inkl. Teile Nr.6,11-14,17)  | 7,5 kW ~-\$!\$\$N 1                                           |
|                             | 228626-4                            | booster, assy. (incl. items no. 6,11-14,17)<br>chaudiere, ens. (compr. ref.6,11-14,17)<br>Boiler, kompl. (inkl. Teile Nr.6,11-14,17)  | 7,5 kW ii \$zz;&N 1                                           |
|                             | 228626-6                            | booster, assy. (incl. items no. 6,11-14,17)<br>chaudiere, ens. (compr. ref.6,11-14,17)<br>Boiler, kompl. (inkl. Teile Nr.6,11-14,17)  | 7,5 kW 440,60/3 1                                             |
|                             | 228626-7                            | booster, assy. (incl. items no. 6,11-14,17)<br>chaudiere, ens. (compr. ref.6,11-14,17)<br>Boiler, kompl. (inkl. Teile Nr.6,11-14,17)  | 6 kW 220/50/3<br>220/60/3 1                                   |
|                             | 228626-8                            | booster, assy. (incl. items no. 6,11-14,17)<br>chaudiere, ens. (compr. ref.6,11-14,17)<br>Boiler, kompl. (inkl. Teile Nr.6,11-14,17)  | 6 kW 240/50/3 1                                               |
|                             | 228626-1                            | booster, assy. (incl. items no.6,11-14,17)<br>chaudiere, ens. (compr. ref.6,11-14,17)<br>Boiler, kompl. (inkl. Teile Nr.6,11-14,17)   | 4,5 kW 220/50/1<br>220/50/3 380,50,3<br>220/60/3 380/50/3/N 1 |
|                             | 228626-2                            | booster, assy. (incl. items no. 6,11-14,17)<br>chaudiere, ens. (compr. ref.6,11-14,17)<br>Boiler, kompl. (inkl. Teile Nr. 6,11-14,17) | 4,5 kW 240/50/1-3 415/50/3/N 1                                |
|                             | 228626-5                            | booster, assy. (incl. items no.6,11-14,17)<br>chaudiere, ens. (compr. ref.6,11-14,17)<br>Boiler, kompl. (inkl. Teile Nr. 6, 11-14,17) | 4,5 kW 440/60,3 1                                             |



PLE 100 533



## Wash and rinse system

Système de lavage et de rinçage

Wasch- und Spülsystem

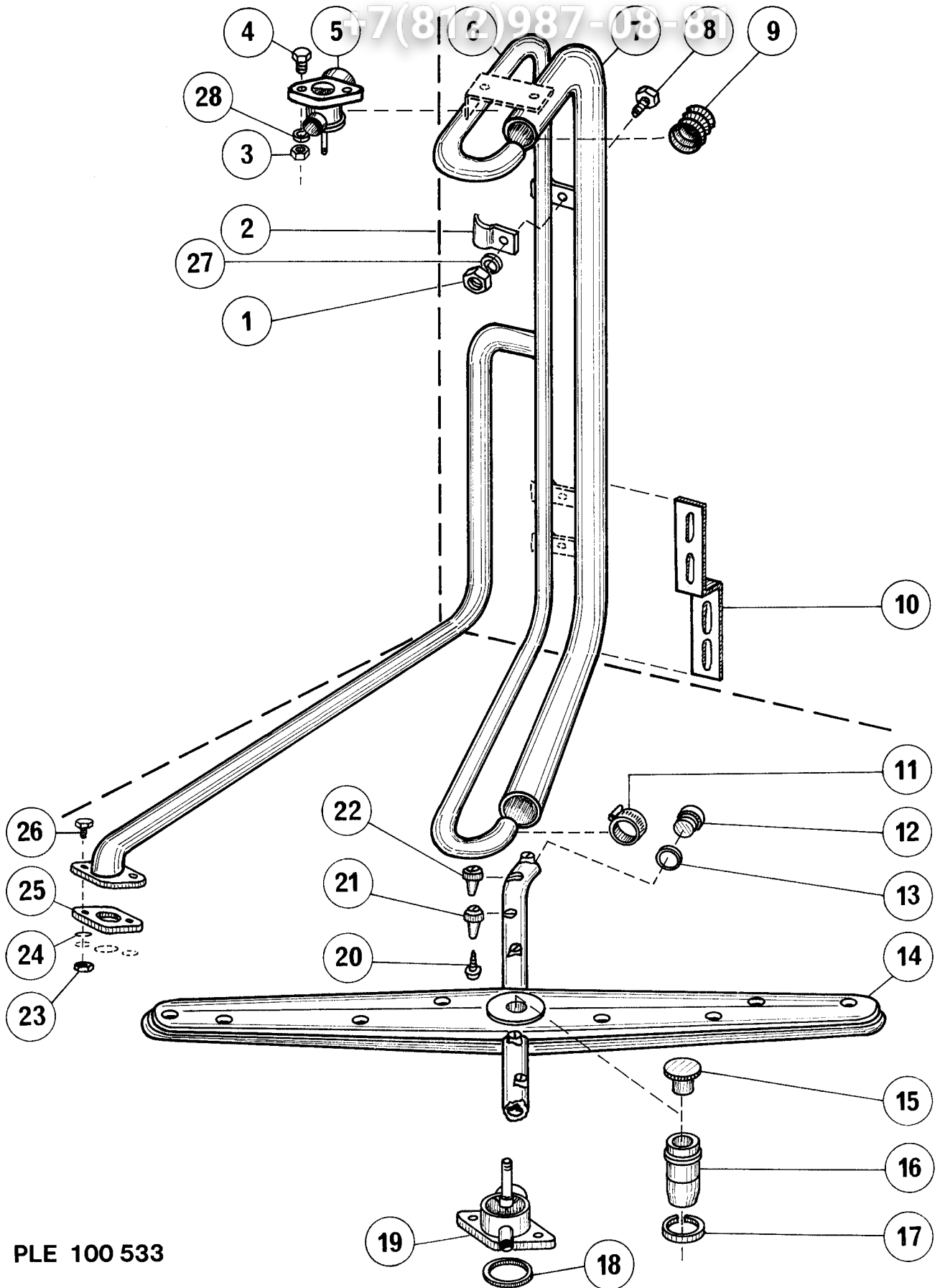
FM-30

FM-30 U

| key no.<br>réf.<br>Pos. Nr. | part no.<br>pièces no.<br>Teil-Nr. | part name<br>nom de la pièce<br>Teil-Benennung                                                                                | qty. - qté. - Stck. |         |
|-----------------------------|------------------------------------|-------------------------------------------------------------------------------------------------------------------------------|---------------------|---------|
|                             |                                    |                                                                                                                               | FM-30               | FM-30 U |
| 1                           | NUM-E-2-30                         | NUM-E-2-30, hexagon nut, M 6 (s.st.)<br>ecrou H, M 5 (inox)<br>Sechskantmutter DIN 935-M5-A2                                  | 3                   | 1       |
| 2                           | 228642                             | pipe clamp<br>bride de fixation<br>Befestigungsschelle                                                                        | 3                   | 1       |
| 3                           | 226792                             | insert nut<br>ecrou a insertion<br>Einprel3mutter                                                                             | 2                   | 2       |
| 4                           | SCM-E-13-20                        | SCM-E-I 3-20, hexagon head screw, M 6 x 12 (s.st.)<br>vis H, M 6 - 12 (inox)<br>Sechskantschraube DIN 933 - M 6 x 12 - A2     | 2                   | -       |
| 4                           | SCM-E-13-10                        | SCM-E-I 3-10, pan head screw, M 6 x 12 (s.st.)<br>vis RL M 6 - 12 (inox)<br>Becherschraube M 6 x 12 - A2                      | -                   | 2       |
| 5                           | 228536                             | upper tee<br>support du tourniquet, superieure<br>Dreharmbasis. oben                                                          | 1                   | 1       |
| 6                           | 228862                             | rinse pipe, assembly<br>tuyauterie de rincage, ensemble<br>Spulleitung, komplett                                              | 1                   | -       |
| 6                           | 228638                             | rinse pipe, assembly<br>tuyauterie de rincage, ensemble<br>Spulleitung, komplett                                              |                     | 1       |
| 7                           | 228860                             | wash pipe, assembly<br>conduit de lavage, ensemble<br>Waschrohr, komplett                                                     | 1                   | -       |
| 7                           | 228641                             | wash pipe, assembly<br>conduit de lavage, ensemble<br>Waschrohr, komplett                                                     | -                   | 1       |
| 8                           | SCM-E-12-4                         | SCM-E-I 2-4, hexagon head screw, M 5 x 10 (s.st.)<br>visH, M5-IO(inox)<br>Sechskantschraube DIN 933 - M 5 x 10 - A2           | 3                   | 1       |
| 9                           | 228624                             | gasket<br>joint<br>Dichtung                                                                                                   | 2                   | 2       |
| 10                          | 228859                             | bracket<br>support<br>Halterung                                                                                               | 1                   | -       |
| 11                          | 166513-7                           | hose clamp<br>collier<br>Schlauchschelle                                                                                      | 2                   | 2       |
| 12                          | 226816                             | end cap<br>bouchon<br>Stoofen                                                                                                 | 2                   | 2       |
| 13                          | 67500-30                           | "O"-ring<br>joint torique<br>O-Ring                                                                                           | 2                   | 2       |
| 14                          | 228589                             | wash and rinse arm<br>bras de lavage et de rincage<br>Wasch- und Spülarm                                                      | 1                   | 1       |
| 15                          | 228644                             | knurled nut<br>ecrou molette<br>Randelmutter                                                                                  | 1                   | 1       |
| 16                          | 228643                             | bush<br>manchette<br>Btichse                                                                                                  | 1                   | 1       |
| 17                          |                                    | snap ring<br>jonc<br>Sprengring DIN 7993-AI4-1.4310                                                                           | 1                   | 1       |
| 18                          | 67500-37                           | "O"-ring<br>joint torique<br>O-Ring                                                                                           | 1                   | 1       |
| 19                          | 228535                             | lower tee<br>support du tourniquet, inferieure<br>Dreharmbasis, unten                                                         | 1                   | 1       |
| 20                          | SD-E-1-32                          | self tapping screw, no 8 x 9,5 (s.st.)<br>vis auto-taraudeuse, SP 11 8-9,5 (inox)<br>Blechschrabe DIN 7981 - B 4,2 x 9,5 - A2 | 9                   | 9       |
| 21                          | 226800-2                           | nozzle, dark grey<br>jet, gris fence<br>D&se, dunkelgrau                                                                      | 5                   | 5       |

vsezip.ru

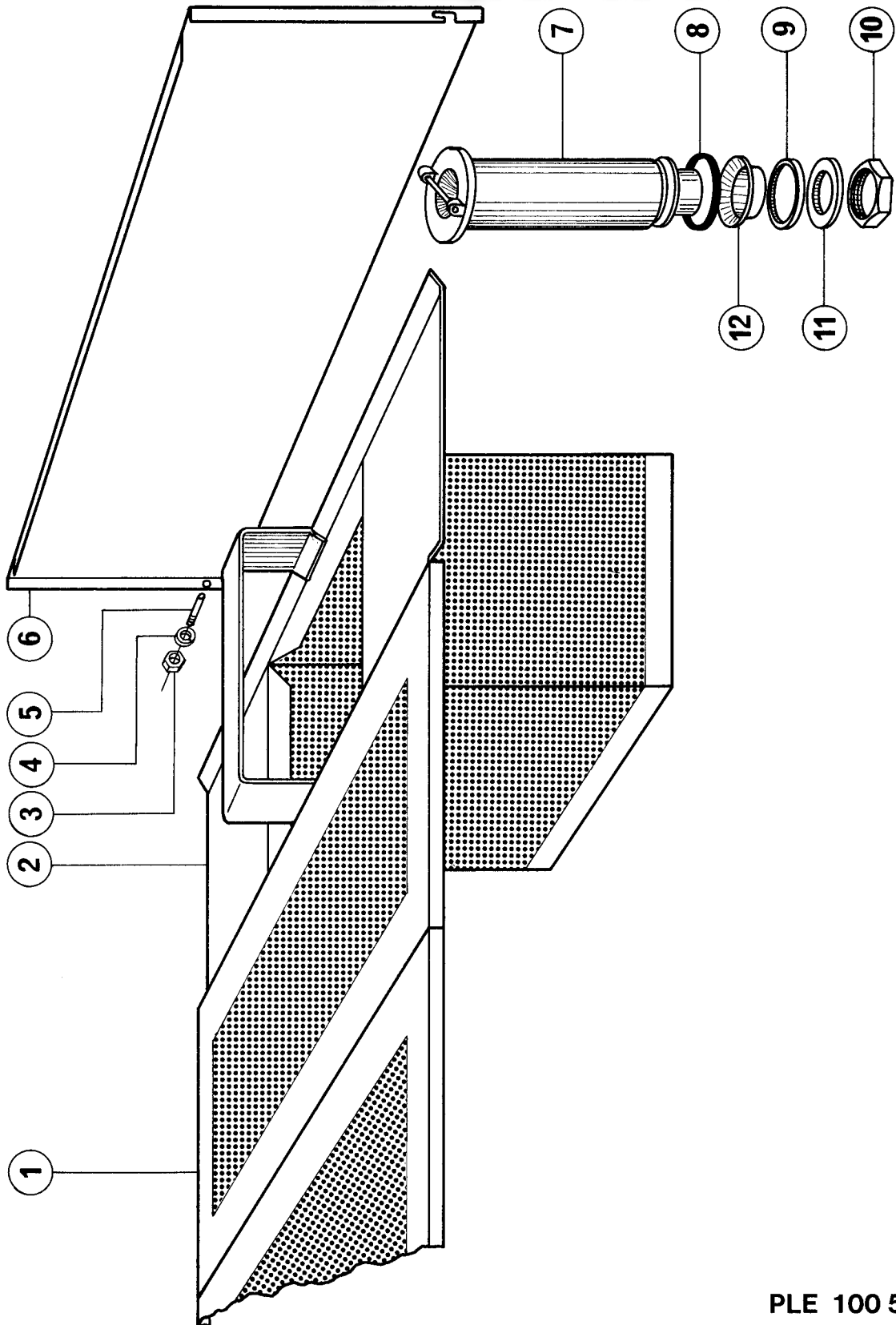
7(812)987-08-81



PLE 100 533

| key no.<br>réf.<br>Pos. Nr. | part no.<br>pièces no.<br>Teile-Nr. | part name<br>nom de la pièce<br>Teile-Benennung                                                                                                                                                      | qty. - qté - Stck. |         |
|-----------------------------|-------------------------------------|------------------------------------------------------------------------------------------------------------------------------------------------------------------------------------------------------|--------------------|---------|
|                             |                                     |                                                                                                                                                                                                      | FM-30              | FM-30 U |
| 22                          | 226800-1                            | nozzle, light grey<br>jet, gris clair<br>Dime. heliarau                                                                                                                                              | 4                  | 4       |
| 23                          | NUM-E-3-27                          | NUM-E-3-27, hexagon nut, M 8 (s.st.)<br>ecrou H, M 8 (inox)<br>Sechskantmutter DIN 934 - M 8 - A2                                                                                                    | 2                  | 2       |
| 24                          | LWM-E-3-27                          | LWM-E-3-27, single coil lockwasher, M 8 (s.st.)<br>rondelle WZ8 (inox)<br>Federring DIN 127-B8-1.4310                                                                                                | 2                  | 2       |
| 25                          | 226643                              | gasket<br>joint<br>Dichtung                                                                                                                                                                          | 1                  | 1       |
| 26                          | SCM-E-14-15                         | SCM-E-1 4-15, hexagon head screw, M 8 x 20 (sst.)<br>vis H, M 8 - 20 (inox)<br>Sechskantschraube DIN 933-M8x20-A2                                                                                    | 2                  | 2       |
| 27                          | LWM-E-2-28                          | LWM-E-2-28, lockwasher M 5 (s.st.)<br>rondelle WZ.5 (inox)<br>Federring DIN 127 - B 5 - 1.4310                                                                                                       | 3                  | 1       |
| 28                          | LWM-E-3-1                           | LWM-E-3-1, lockwasher M 6 (s.st.)<br>rondelle WZ6 (inox)<br>Federrina DIN 127 - B 6 - 1.4310                                                                                                         | 2                  | -       |
|                             | 228867                              | wash and rinse pipe, assembly (incl. items 1-3,5-11,19)<br>conduit de lavage et de rincage, ensemble (compr. ref. 1-3,5-11,19)<br>Wasch- und Sotilleituna. komolett (inkl. Teile 1-3.511,19)         | 1                  | -       |
|                             | 228636                              | wash and rinse pipe, assembly (incl. items 1-3,5-9,11,19)<br>conduit de lavage et de rincage, ensemble (compr. ref. 1-3,5-9,11,19)<br>Wasch- und .%i_illeituna. komolett (inkl. Teile 1-3.5-9.11.19) | -                  | 1       |
|                             | 228567                              | wash and rinse arm, assembly (incl. items 12-17,20-22)<br>bras de lavage et de rincage, ensemble (campr. ref. 12-17,20-22)<br>Wasch- und Soualarm. komolett (inkl. Teile 12-17.20-22)                | 2                  | 2       |

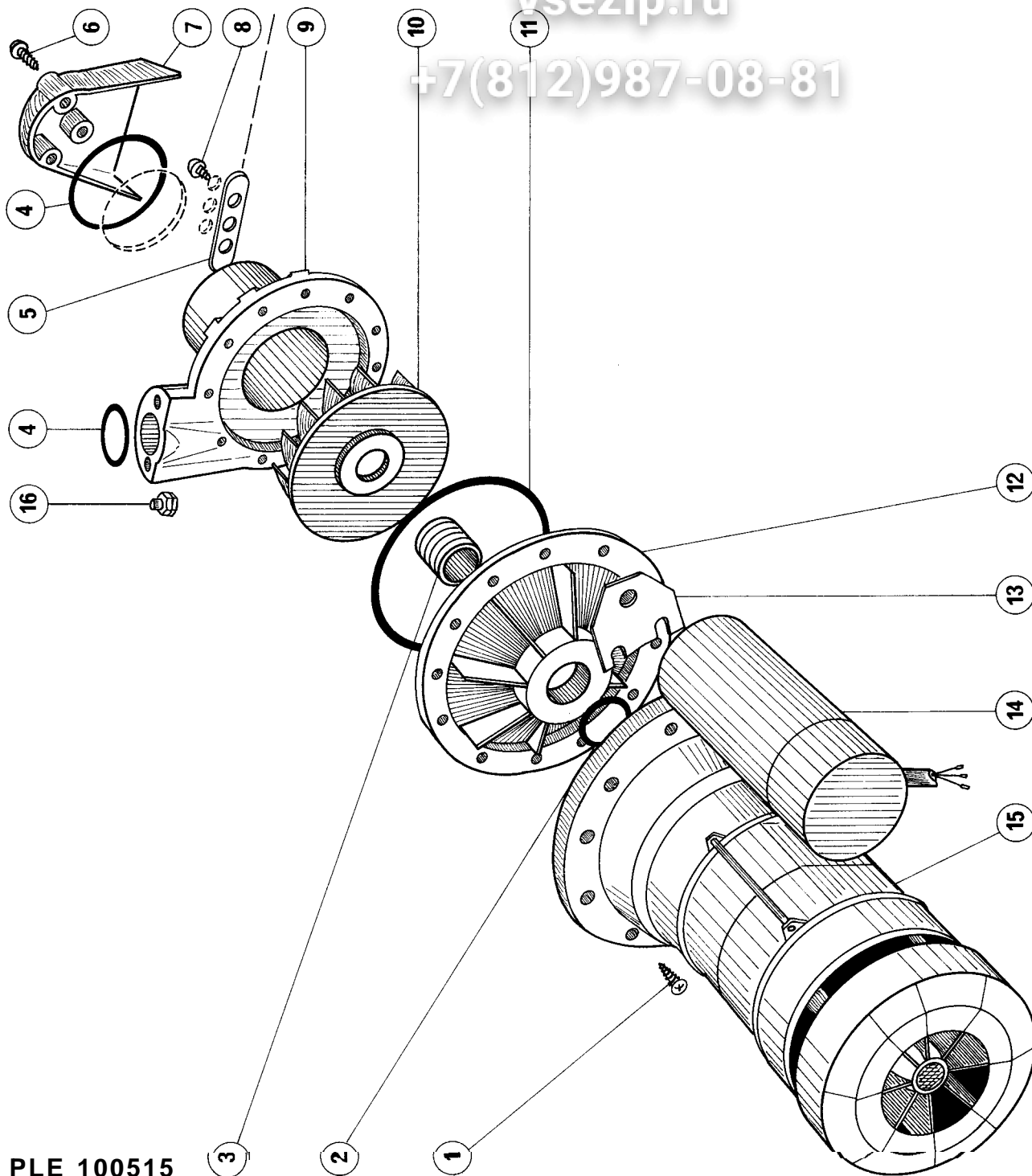
+7(812)987-08-81



PLE 100 541

| key no.<br>ref.<br>Pos. Nr. | part no.<br>pieces no.<br>Teile-Nr. | part name<br>nom de la piece<br>Teile-Benennung                                                            | qty.<br>qté.<br>Stck.                                                                                      |   |
|-----------------------------|-------------------------------------|------------------------------------------------------------------------------------------------------------|------------------------------------------------------------------------------------------------------------|---|
| 1                           | 228645                              | strainer<br>filtre<br>Sieb                                                                                 | 2                                                                                                          |   |
| 2                           | 228646                              | strainer basket, assembly<br>panier-filtre, ensemble<br>Siebkorb, komplett                                 | 1                                                                                                          |   |
| 3                           | NUM-E-2-30                          | NUM-E-2-30, hexagon nut, M 5 (s.st.)<br>écrouH, M 5 (inox)<br>Sechskantmutter DIN 934 - M 5 - A2           | 1                                                                                                          |   |
| 4                           | LWM-E-2-28                          | LWM-E-2-28, single coil lockwasher, M 5 (s.st.)<br>rondelle WZ5 (inox)<br>Federrino DIN 127 - B 5 - 1.4310 | 1                                                                                                          |   |
| 5                           | 228684                              | pintle<br>pivot<br>Drehbolzen                                                                              | 1                                                                                                          |   |
| 6                           | 228793                              | hinged cover<br>couvercle rabattant<br>Abdeckklaooe                                                        | 1                                                                                                          |   |
| 7                           | 228600                              | overflow pipe<br>tube de vidange<br>Überlaufrohr                                                           | 1                                                                                                          |   |
| 8                           | 67500-15                            | "o"-ring<br>joint torique<br>O-Rina                                                                        | 1                                                                                                          |   |
| 9                           | 226556                              | gasket<br>joint<br>Dichtung                                                                                | 1                                                                                                          |   |
| 10                          | 226557                              | back nut<br>contre-écrou<br>Gegenmutter                                                                    | (FM-30 U: not with drain pump)<br>(FM-30 U: pas avec pompe de vidange)<br>(FM-30 U: nicht bei Abaupumpe)   | 1 |
| 11                          | 21104                               | washer<br>rondelle<br>Scheibe                                                                              | 1                                                                                                          |   |
| 12                          | 226558                              | drain funnel<br>entonnoire de vidange<br>Ablaufstutzen                                                     | (FM-30 U: not with drain pump)<br>(FM-30 U: pas avec pompe de vidange)<br>(FM-30 U: nicht bei Ablaufpumpe) | 1 |

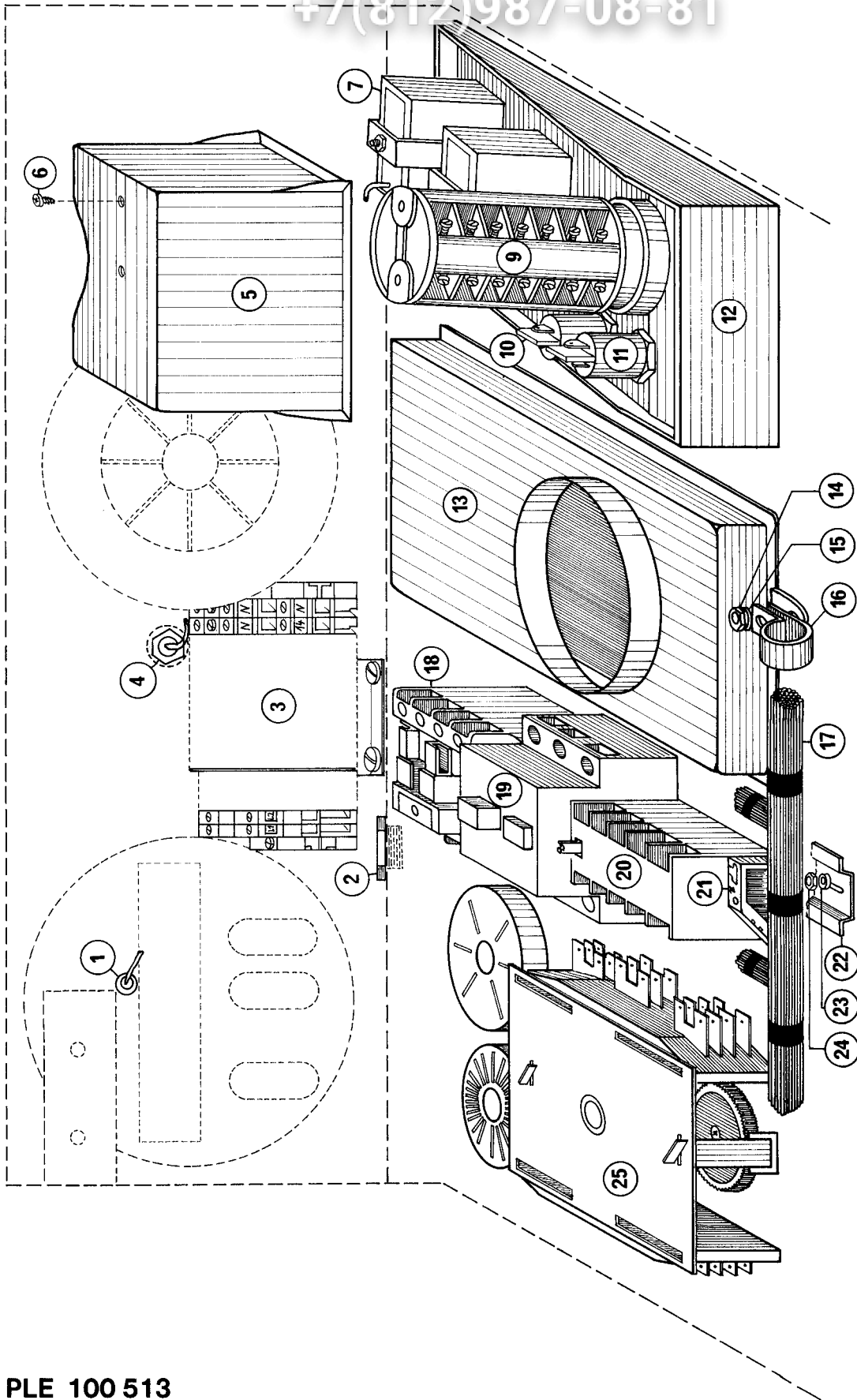




PLE 100515

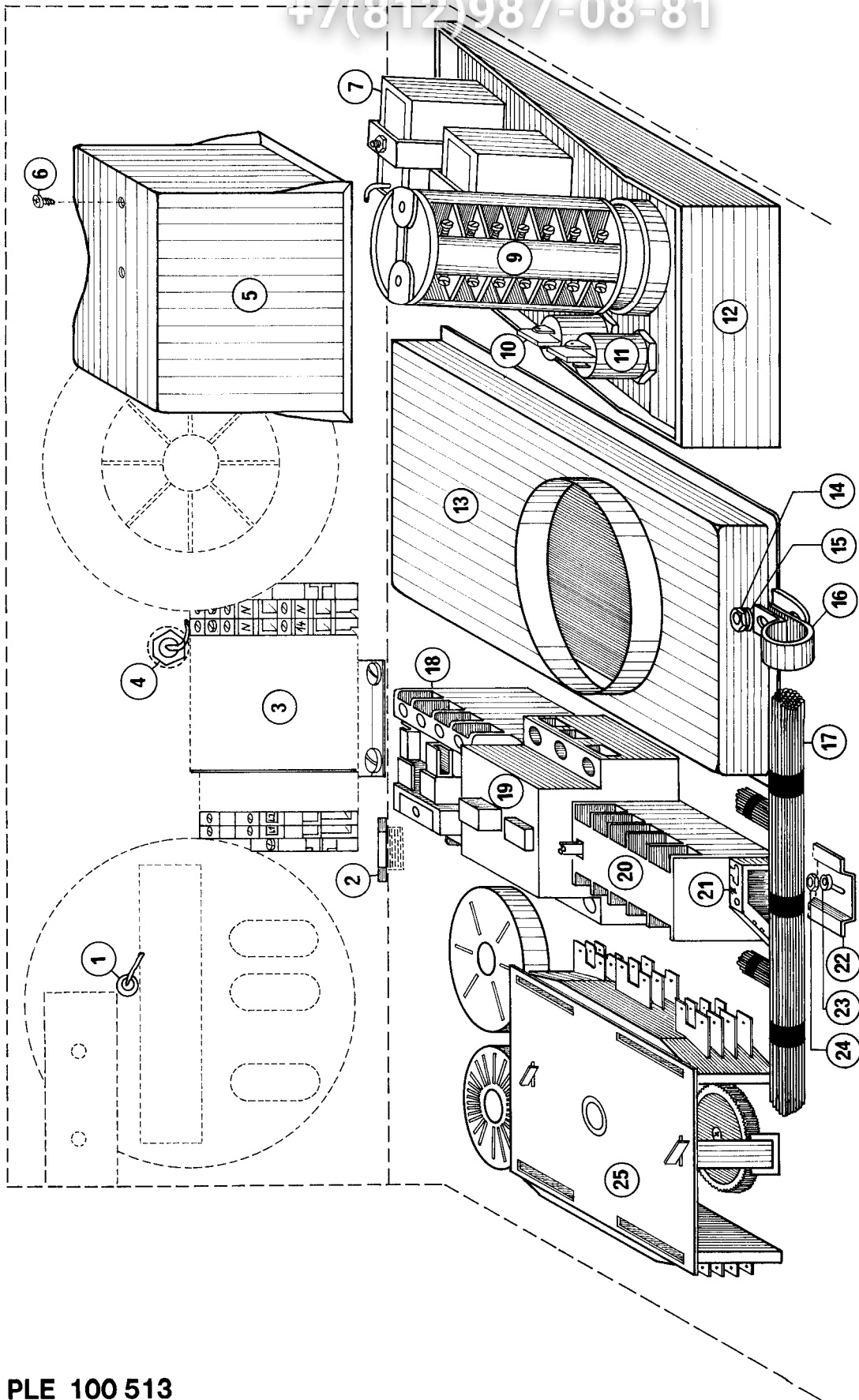
| key no.<br>réf.<br>Pos. Nr. | part no.<br>pièces no.<br>Teile-Nr. | part name<br>nom de la pièce<br>Teile-Benennung                                         | qty.<br>qté.<br>Stck. |
|-----------------------------|-------------------------------------|-----------------------------------------------------------------------------------------|-----------------------|
| 1                           | SD-32-14                            | self-tapping screw 4,8 x 25<br>vis auto-taraudeuse 4,8 x 25<br>Blehschraube BZ 4,8 x 25 | 11                    |
| 2                           | 67500-8                             | "o"-ring<br>joint torique<br>O-Ring                                                     | 1                     |
| 3                           | 104329                              | shaft seal<br>joint rotatif<br>Gleitringdichtung                                        | 1                     |
| 4                           | 67500-57                            | "o"-ring<br>joint torique<br>O-Ring                                                     | 2                     |

| key no.<br>réf.<br>Pos. Nr. | part no.<br>pièces no.<br>Teile-Nr. | part name<br>nom de la pièce<br>Teile-Benennung                                                                       | qty.<br>qté.<br>Stck.                |
|-----------------------------|-------------------------------------|-----------------------------------------------------------------------------------------------------------------------|--------------------------------------|
| 5                           | 226791                              | <b>gasket</b><br>joint<br>Dichtung                                                                                    | 1                                    |
| 6                           | SD-E-1-38                           | self-tapping screw 4,8 x 50 (s.st.)<br>vis auto-taraudeuse 4,8 x 50 (inox)<br>Blehschraube DIN 7982 - B 4,8 x 50 - A2 | 3                                    |
| 7                           | 226777                              | cover<br>couvercle<br>Abdeckung                                                                                       | 1                                    |
| 8                           |                                     | self-tapping screw 4,8 x 16 (s.st.)<br>vis auto-taraudeuse 4,8 x 16 (inox)<br>Blehschraube DIN 7981 - B 4,8 x 16 - A2 | 2                                    |
| 9                           | 226773                              | pump shell<br>corps de pompe<br>Spiralgehäuse                                                                         | 1                                    |
| 10                          | 226775-2                            | impeller<br>turbine<br>Laufgrad                                                                                       | 220-415/50/1-3/N<br>1                |
|                             | 226775-3                            | impeller<br>turbine<br>Laufgrad                                                                                       | 220-240/60/3<br>1                    |
| 11                          | 276903-5                            | "o"-ring<br>joint torique<br>O-Ring                                                                                   | 1                                    |
| 12                          | 226774                              | cover<br>couvercle<br>Deckel                                                                                          | 1                                    |
| 13                          | 228891                              | bracket<br>support<br>Halterung                                                                                       | 1                                    |
| 14                          | 232210-1                            | condenser<br>condensateur<br>Kondensator                                                                              | only/seulement/nur 220-240/50/1<br>1 |
| 15                          | 228475-3                            | motor<br>moteur<br>Motor                                                                                              | 220/50/1<br>1                        |
|                             | 228475-4                            | motor<br>moteur<br>Motor                                                                                              | 240/50/1<br>1                        |
|                             | 228475-1                            | motor<br>moteur<br>Motor                                                                                              | 220-380/50/3/N<br>1                  |
|                             | 228475-2                            | motor<br>moteur<br>Motor                                                                                              | 240-415/50/3/N<br>1                  |
|                             | 228475-5                            | motor<br>moteur<br>Motor                                                                                              | 440/60/3<br>1                        |
|                             | 228475-6                            | motor<br>moteur<br>Motor                                                                                              | 220/60/3<br>1                        |
| 16                          | 226792                              | insert nut<br>ecrou a insertion<br>Einpreßmutter                                                                      | 2                                    |
|                             | 226776-1                            | wash pump, assembly<br>pompe de lavage, e n s e m b l e<br>Waschpumpe, komplett                                       | 220/50/ 1<br>1                       |
|                             | 226776-2                            | wash pump, assembly<br>pompe de lavage, e n s e m b l e<br>Waschpumpe, komplett                                       | 240/50/1<br>1                        |
|                             | 226776-3                            | wash pump, assembly<br>pompe de lavage, ensemble<br>Waschpumpe, komplett                                              | 220-380/50/3/N<br>1                  |
|                             | 226776-4                            | wash pump, assembly<br>pompe de lavage, ensemble<br>Waschpumpe, komplett                                              | 240-415/50/3/N<br>1                  |
|                             | 226776-5                            | wash pump, assembly<br>pompe de lavage, e n s e m b l e<br>Waschpumpe, komplett                                       | 440/60/3<br>1                        |
|                             | 226776-6                            | wash pump, assembly<br>pompe de lavage, e n s e m b l e<br>Waschpumpe, komplett                                       | 220/60/3<br>1                        |



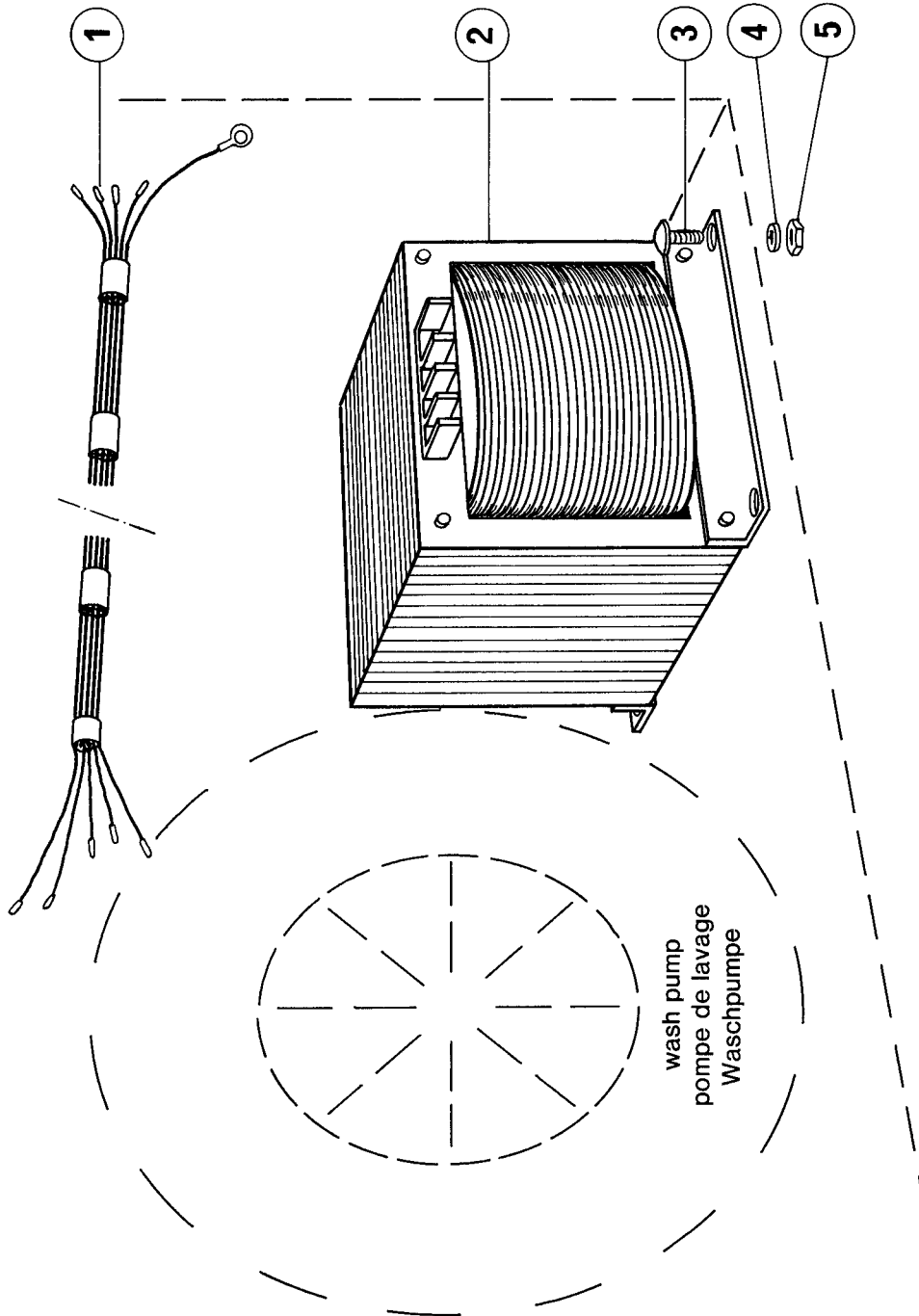
PLE 100 513

| key no.<br>réf.<br>Pos. Nr. | part no.<br>pièces no.<br>Teile-Nr. | part name<br>nom de la pièce<br>Teile-Benennung                                                                                               | qty.<br>qté.<br>Stck. |
|-----------------------------|-------------------------------------|-----------------------------------------------------------------------------------------------------------------------------------------------|-----------------------|
| 1                           | 227024-2                            | universal stuffing box<br>douille de fixation<br>Universalstopfbüchse                                                                         | 1                     |
|                             | 168611-10                           | gasket<br>joint<br>Dichtuna                                                                                                                   | 1                     |
| 2                           | 226931-2                            | bushing<br>raccord<br>Pg-Verschraubung                                                                                                        | 1                     |
| 3                           | 228887-1                            | terminal board, assembly<br>ensemble des bornes et support 380-415/50/3/N<br>Klemmenanordnung, komplett                                       | 1                     |
|                             | 228887-2                            | terminal board, assembly<br>ensemble des bornes et support 220-415/50/3; 220-440/60/3<br>Klemmenanordnung, komplett                           | 1                     |
|                             | 228888                              | terminal board, assembly<br>ensemble des bornes et support 220-240/50/1<br>Klemmenanordnung, komplett                                         | 1                     |
| 4                           | 228721<br>PF-E-18-48                | Nut<br>protective covering for thermometer<br>boîtier de protection du thermometre<br>Thermometer-Schutzhülse                                 | 1                     |
|                             | 168611-9                            | gasket<br>joint<br>Dichtung                                                                                                                   | 1                     |
|                             |                                     | hexagon nut, 3/8"<br>ecrou H, 3/8"<br>Sechskantmutter DIN 431-3/8"                                                                            | 1                     |
| 5                           | 228743                              | cover<br>couverture<br>Abdeckung                                                                                                              | 1                     |
| 6                           | SD-10-11                            | self-tapping screw #6-32 x 3/8" phil. truss head, type D<br>visa tôle BL, à empreinte cruciforme 3,5 x 10<br>Flachrund-Blechschräube 3,5 x 10 | 2                     |
| 7                           | 228720-1                            | thermometer<br>thermometre<br>Thermometer                                                                                                     | 2                     |
| 9                           | 228719-1                            | cam switch<br>interrupteur a cames<br>Nockenschalter                                                                                          | 1                     |
| 10                          | 227948-1                            | pilot lamp, white<br>voyant lumineux, blanc<br>Signalleuchte, weiß                                                                            | 1                     |
| 11                          | 227948-4                            | pilot lamp, green<br>voyant lumineux, vert<br>Signalleuchte, grün                                                                             | 1                     |
| 12                          | 228621-1                            | control panel<br>enjoliveur<br>Armaturenblende                                                                                                | 1                     |
|                             | 228621-2                            | control panel, FM-30 U (with drain pump)<br>enjoliveur, FM-30 U (avec pompe de vidange)<br>Armaturenblende, FM-30 U (mit Ablaufpumpe)         | 1                     |
| 13                          | 228753                              | cover<br>couverture<br>Abdeckung                                                                                                              | 1                     |
| 14                          | NUM-E-2-6                           | NUM-E-2-6, hexagon nut M 4 (s.st.)<br>ecrou H, M 4 (inox)<br>Sechskantmutter DIN 934 - M 4 - A2                                               | 4                     |
| 15                          | WAM-E-8-14                          | WAM-E-8-14, plain washer M 4 (s.st.)<br>rondelle M 4 N (inox)<br>Scheibe DIN 125 - 4,3 - A2                                                   | 4                     |
| 16                          | 228715-4                            | pipe clamp<br>bride de fixation<br>Befestigungsschelle                                                                                        | 2                     |
| 17                          | 228737                              | cable, assembly<br>faisceau électrique, ensemble 220-440/50-60/3/N<br>Leitungssortiment                                                       | 1                     |
|                             | 228883                              | cable, assembly<br>faisceau électrique, ensemble 220-240/50/1<br>Leitungssortiment                                                            | 1                     |
| 18                          | 40651-9                             | contactor<br>contacteur 220-440/50-60/1-3/N<br>Schütz                                                                                         | 1                     |



PLE 100 513

| key no.<br>ref.<br>Pos. Nr. | part no.<br>pieces no.<br>Teile-Nr. | part name<br>nom de la piece<br>Teile-Benennung                                                   |                     | qty.<br>qté.<br>Stck. |
|-----------------------------|-------------------------------------|---------------------------------------------------------------------------------------------------|---------------------|-----------------------|
|                             | 40651-10                            | contactor<br>contacteur<br>Schütz                                                                 | 240-415/50/1-3/N    | 1                     |
| 19                          | 228717-3                            | thermal overload relay<br>relais thermique<br>Motorschutzschalter                                 | 220-240/50/ 1       | 1                     |
|                             | 228717-2                            | thermal overload relay<br>relais thermique<br>Motorschutzschalter                                 | 220-240/50-60/3     | 1                     |
|                             | 228717-1                            | thermal overload relay<br>relais thermique<br>Motorschutzschalter                                 | 380-440/50-60/3/N   | 1                     |
| 20                          | 228015-9                            | contactor<br>contacteur<br>Schütz                                                                 | 220-380/50/1-3/N    | 1                     |
|                             | 228015-10                           | contactor<br>contacteur<br>Schütz                                                                 | 240-415/50/1-3/N    | 1                     |
|                             | 228015-11                           | contactor<br>contacteur<br>Schütz                                                                 | 220-240/60/3        | 1                     |
| 21                          | 228428                              | end stop<br>presse-borne<br>Endwinkel                                                             |                     | 2                     |
| 22                          | 135919-11                           | mounting rail<br>rail de montage<br>Tragschiene                                                   |                     | 1                     |
| 23                          | WAM-E-8-14                          | WAM-E-8-14, plain washer M 4 (s.st.)<br>rondelle M 4 N (inox)<br>Scheibe DIN 125 - 4,3 - A2       |                     | 5                     |
| 24                          | NUM-E-2-6                           | NUM-E-2-6, hexagon nut, M 4 (s.st.)<br>ecrou H, M 4 (inox)<br>Sechskantmutter DIN 934 - M 4 - A 2 |                     | 8                     |
| 25                          | 228623-1                            | program timer<br>programmateur<br>Programmschaltwerk                                              | 220-440/50-60/1-3/N | 1                     |



| key no.<br>réf.<br>Pos. Nr. | part no.<br>pi&es no.<br>Teile-Nr. | part name<br>nom de la pièce<br>Teile-Benennung                                                                      | qty.<br>qté.<br>Stck. |
|-----------------------------|------------------------------------|----------------------------------------------------------------------------------------------------------------------|-----------------------|
| 1                           | 228754                             | cable assembly<br>faisceau de cables, ensemble<br>Leitunassortiment                                                  | 1                     |
| 2                           | 167231-1                           | transformer<br>transformateur 380-415/50/3<br>Transformator                                                          | 1                     |
|                             | 167231-6                           | transformer<br>transformateur 440/60/3<br>Transformator                                                              | 1                     |
| 3                           | SCM-E-11-8                         | SCM-E-11-8, screw truss head, M 4 x 10 (s.st.)<br>vis CL, M 4 - 10 (inox)<br>Linsenschraube DIN 7985 - M 4 x 10 - A2 | 2                     |
| 4                           | LWM-E-2-2                          | LWM-E-2-2, lockwasher, M 4 (s.st.)<br>rondelle WZ4 (inox)<br>Federring DIN 127 - B4 - 1.4310                         | 2                     |
| 5                           | NUM-E-2-6                          | NUM-E-2-6, hexagon nut, M 4 (s.st.)<br>ecrou H, M 6 (inox)<br>Sechskantmutter DIN 934 - M4 - A2                      | 2                     |

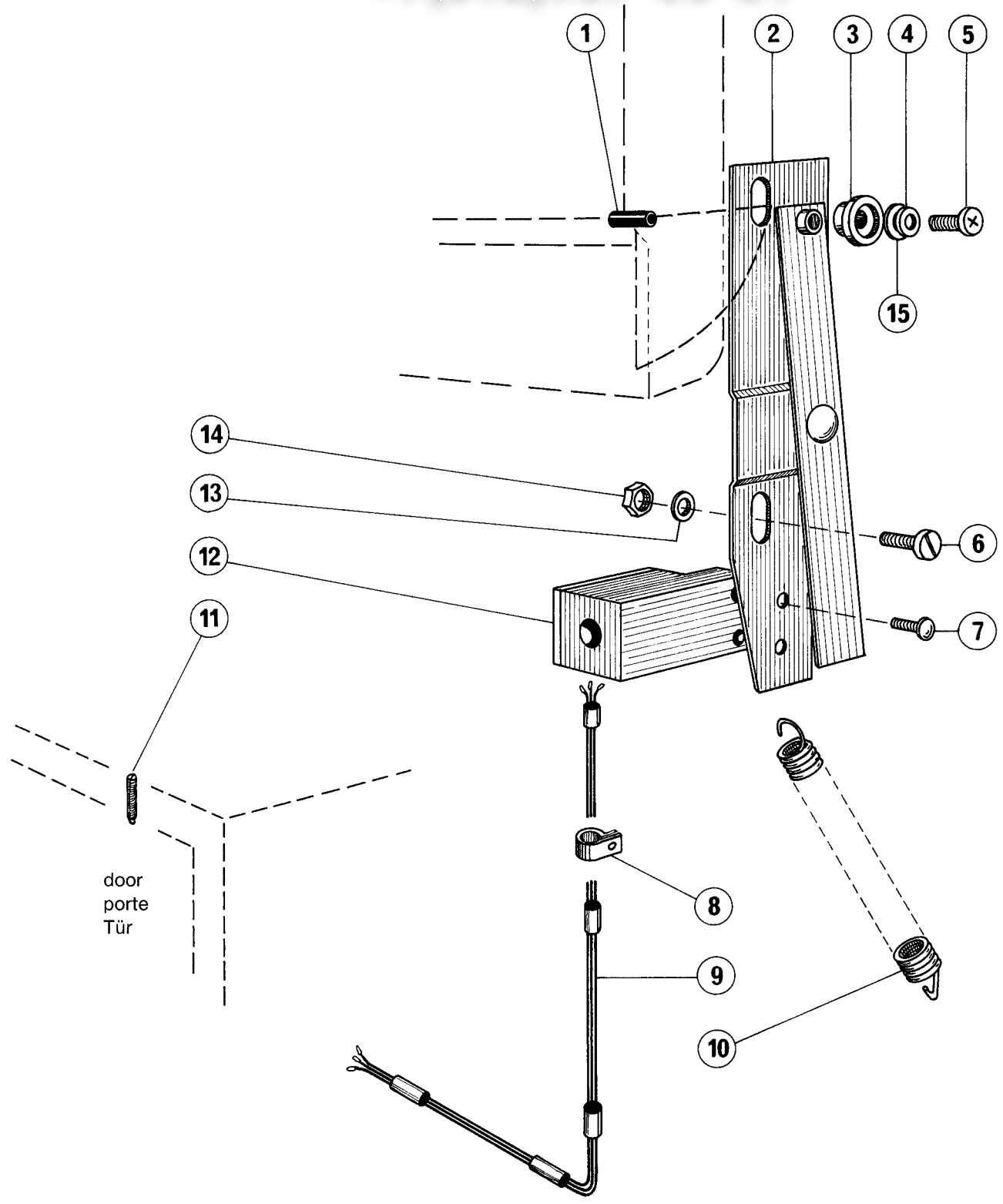
vsezip.ru

+7(812)987-08-81



vsezip.ru

+7(812)987-08-81



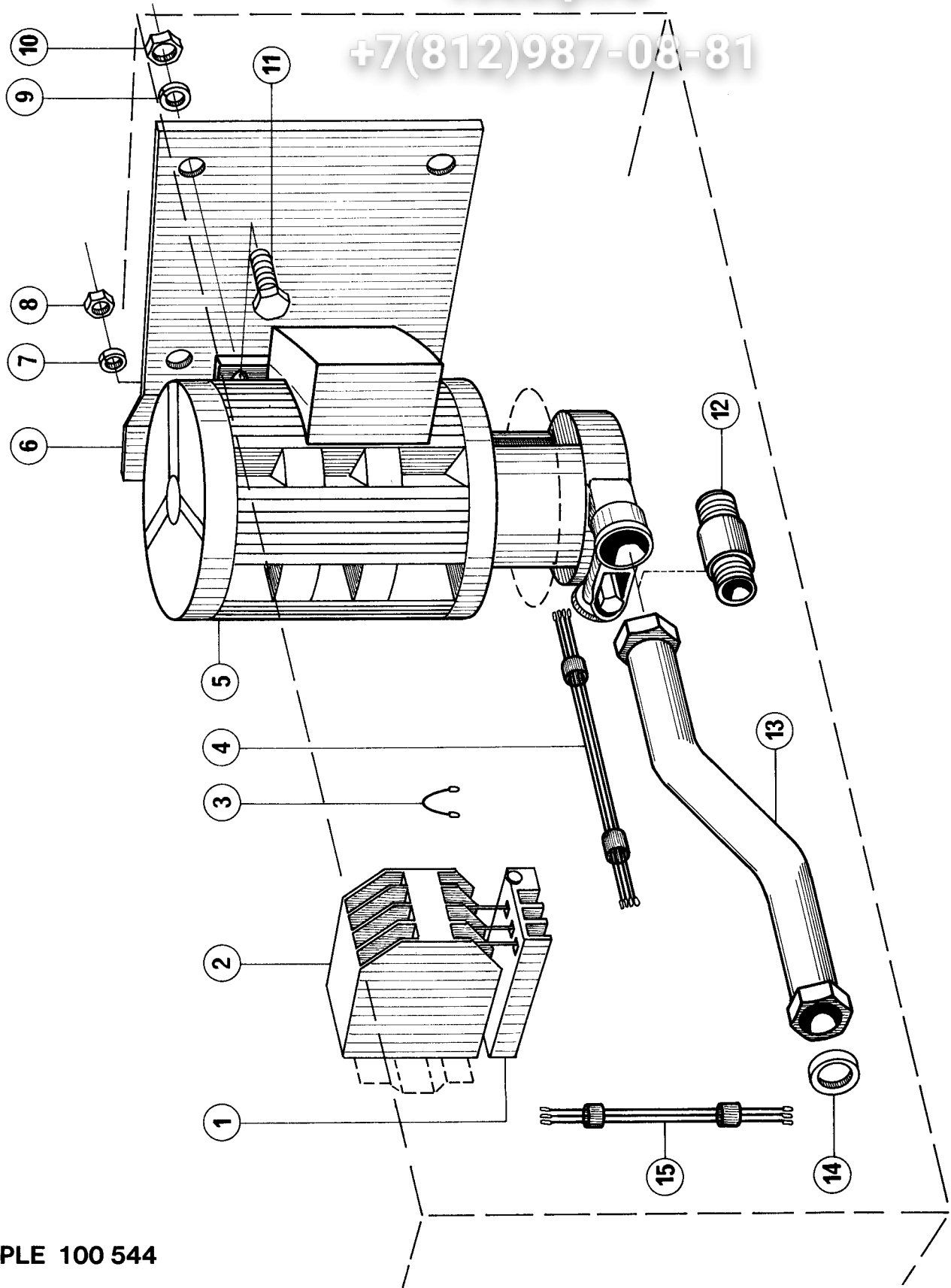
PLE 100 545

| key no.<br>ref.<br>Pos. Nr. | part no.<br>pièces no.<br>Teile-Nr. | part name<br>nom de la pièce<br>Teile-Benennung                                                                                       | qty.<br>qté.<br>Stck. |
|-----------------------------|-------------------------------------|---------------------------------------------------------------------------------------------------------------------------------------|-----------------------|
| 1                           | 228693-1                            | gasket<br>joint<br>Dichtuna                                                                                                           | 2                     |
| 2                           | 228677                              | end-switch mechanism, assembly<br>mecanisme d'interrupteur, ensemble<br>Türschalter-Mechanismus. komolett                             | 1                     |
| 3                           | 116008                              | roller<br>poulie<br>Rolle                                                                                                             | 1                     |
| 4                           | WAM-E-8-20                          | WAM-E-8-20, plain washer M 5 (s.st.)<br>rondelle M5N (inox)<br>Scheibe DINI25-A5,3-A2                                                 | 1                     |
| 5                           | SC-69-10                            | Mach. screw - no 8-32 x ,250 lg<br>vis machine<br>Maschinenschraube                                                                   | 1                     |
| 6                           | SCM-E-12-4                          | SCM-E-I 2-4, pan head screw, M 5 x 10 (s.st.)<br>vis RL, M 5 - 10 (inox)<br>Flachkopfschraube DIN 85 - M 5 x 10 - A2                  | 2                     |
| 7                           | SCM-E-11-8                          | SCM-E-I 1-8, slotted raised cheese head screw, M 4 x 10 (s.st.)<br>vis CB, M 4 - 10 (inox)<br>Linsenschraube DIN 7985 - M 4 x 10 - A2 | 3                     |
| 8                           | 228715-1                            | fixing clamp<br>bride de fixation<br>Befestigungsschelle                                                                              | 1                     |
| 9                           | 228663                              | cable, assembly<br>faisceau<br>Leitungssortiment                                                                                      | 1                     |
| 10                          | 227855                              | door spring<br>ressort de Porte<br>Türfeder                                                                                           | 2                     |
| 11                          | 228619-1                            | friction catch<br>vis de pression<br>Federndes Druckstück                                                                             | 1                     |
| 12                          | 228718                              | end switch<br>intérrupteur fin-de-course<br>Endschalter                                                                               | 1                     |
| 13                          | LWM-E-2-28                          | LWM-E-2-28, single coil lockwasher, M 5 (s.st.)<br>rondelle WZ5 (inox)<br>Federrina DIN 127 - B 5 - 1.4310                            | 2                     |
| 14                          | NUM-E-2-30                          | NUM-E-2-30, hexagon nut, M 5 (s.st.)<br>ecrou H, M 5 (inox)<br>Sechskantmutter DIN 934 - M 5 A2                                       | 2                     |
| 15                          | WS-17-28                            | washer<br>rondelle<br>Scheibe                                                                                                         | 1                     |

vsezip.ru

+7(812)987-08-81

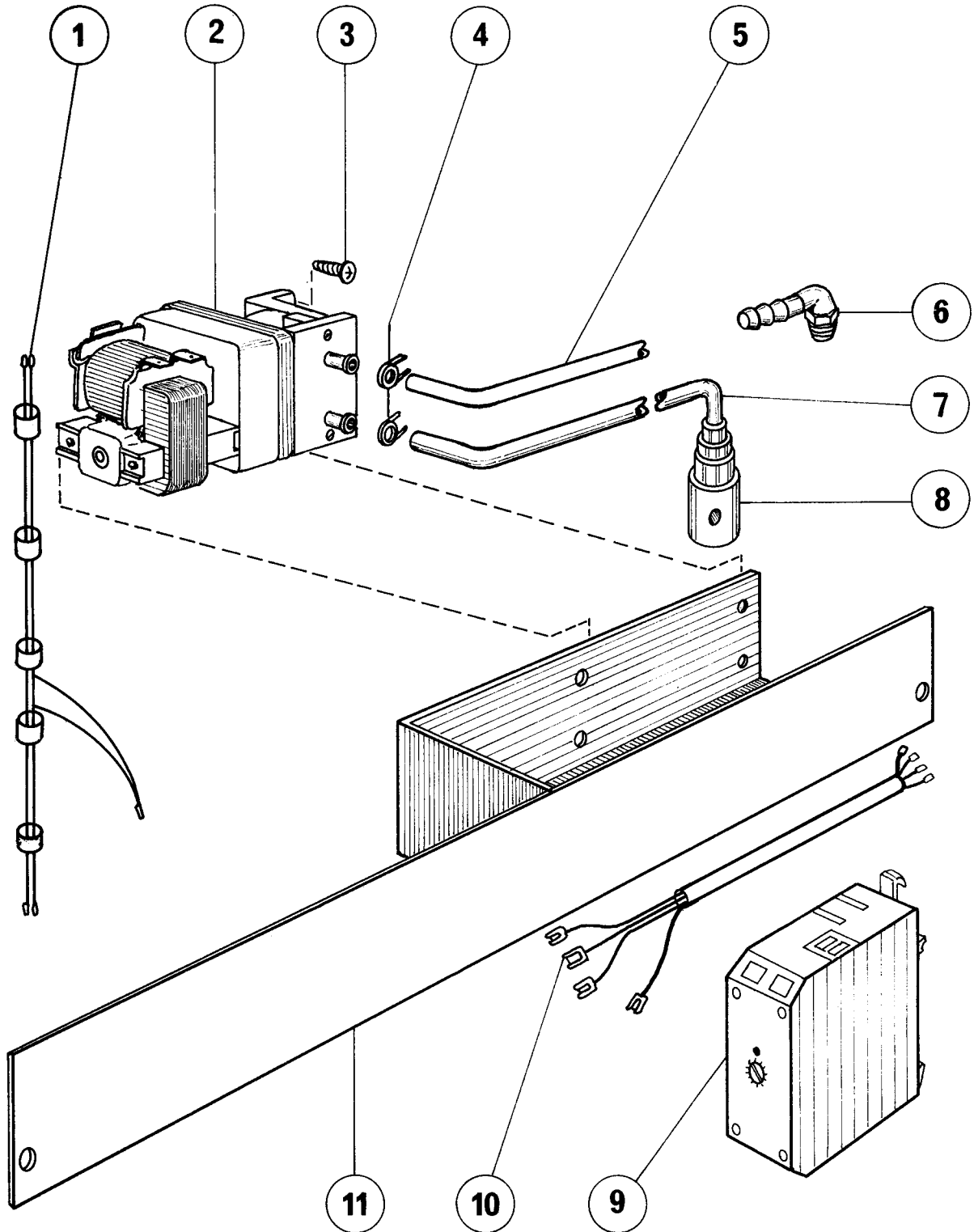
+7(812)987-08-81



PLE 100 544

| key no.<br>réf.<br>Pos. Nr. | part no.<br>pièces no.<br>Teile-Nr. | part name<br>nom de la pièce<br>Teile-Benennung                 | qty.<br>qté.<br>Stck.  |
|-----------------------------|-------------------------------------|-----------------------------------------------------------------|------------------------|
| 1                           | B-56 731-4                          | thermal overload relay<br>relais thermique<br>Motorschutzrelais | 380-440/50-60/3/N<br>1 |

| key no.<br>réf.<br>Pos. Nr. | part no.<br>pièces no.<br>Teile-Nr. | part name<br>nom de la pièce<br>Teile-Benennung                                                                          | qty.<br>qté.<br>Stck. |
|-----------------------------|-------------------------------------|--------------------------------------------------------------------------------------------------------------------------|-----------------------|
|                             | 56731-9                             | thermal overload relay<br>relais thermique<br>Motorschutzrelais                                                          | 1                     |
| 2                           | 168988-1                            | contactor<br>contacteur<br>Schütz                                                                                        | 1                     |
|                             | 168988-2                            | contactor<br>contacteur<br>Schütz                                                                                        | 1                     |
|                             | 168988-3                            | contactor<br>contacteur<br>Schütz                                                                                        | 1                     |
| 3                           | 227073-35                           | bridge<br>pont<br>Brücke                                                                                                 | 2                     |
| 4                           | 228740                              | cable assembly<br>faisceau<br>Leitungssortiment                                                                          | 1                     |
|                             | 228739                              | cable assembly<br>faisceau<br>Leitungssortiment                                                                          | 1                     |
| 5                           | 228738-1                            | rinse booster pump<br>pompe elevatrice depression<br>Drucksteigerungspumpe                                               | 1                     |
|                             | 228738-2                            | rinse booster pump<br>pompe elevatrice depression<br>Drucksteigerungspumpe                                               | 1                     |
|                             | 228738-3                            | rinse booster pump<br>pompe elevatrice depression<br>Drucksteigerungspumpe                                               | 1                     |
|                             | 228738-4                            | rinse booster pump<br>pompe elevatrice depression<br>Drucksteigerungspumpe                                               | 1                     |
|                             | 228738-5                            | rinse booster pump<br>pompe elevatrice depression<br>Drucksteigerungspumpe                                               | 1                     |
|                             | 228738-6                            | rinse booster pump<br>pompe elevatrice depression<br>Drucksteigerungspumpe                                               | 1                     |
| 6                           | 228722                              | bracket-rinse booster pump<br>support - pompe elevatrice de pression<br>Halterung - Drucksteigerungspumpe                | 1                     |
| 7                           | LWM-E-3-27                          | LWM-E-3-27, single coil lockwasher, M 8 (s.st.)<br>rondelle WZ 8 (inox)<br>Federring DIN 127 - B 8 - 1.4310              | 2                     |
| 8                           | NUM-E-3-27                          | NUM-E-3-27, hexagon nut, M 8 (s.st.)<br>ecrou H, M 8 (inox)<br>Sechskantmutter DIN 934 - M 8 - A2                        | 2                     |
| 9                           | LWM-E-3-1                           | LWM-E-3-1, single coil lockwasher, M 6 (s.st.)<br>rondelle WZ6 (inox)<br>Federring DIN 127 - B 6 - 1.4310                | 4                     |
| 10                          | NUM-E-3-2                           | NUM-E-3-2, hexagon nut, M 6 (s.st.)<br>ecrou H, M 6 (inox)<br>Sechskantmutter DIN 934 - M 6 - A 2                        | 4                     |
| 11                          | SCM-E-13-24                         | SCM-E-13-24, hexagon head screw, M 6 x 16 (s.st.)<br>vis H, M 6 - 16 (inox)<br>Sechskantschraube DIN 933 - M 6 x 16 - A2 | 4                     |
| 12                          | 228741-1                            | nipple<br>mamelon<br>Nippel                                                                                              | 1                     |
| 13                          | 228745                              | connecting pipe, assembly<br>tuyauterie de liaison, ensemble<br>Verbindungsleitung, komplett                             | 1                     |
| 14                          | 168611-9                            | gasket<br>joint<br>Dichtung                                                                                              | 1                     |
| 15                          | 228870                              | cable assembly<br>faisceau<br>Leitungssortiment                                                                          | 1                     |
|                             | 228816                              | cable assembly<br>faisceau<br>Leitungssortiment                                                                          | 1                     |

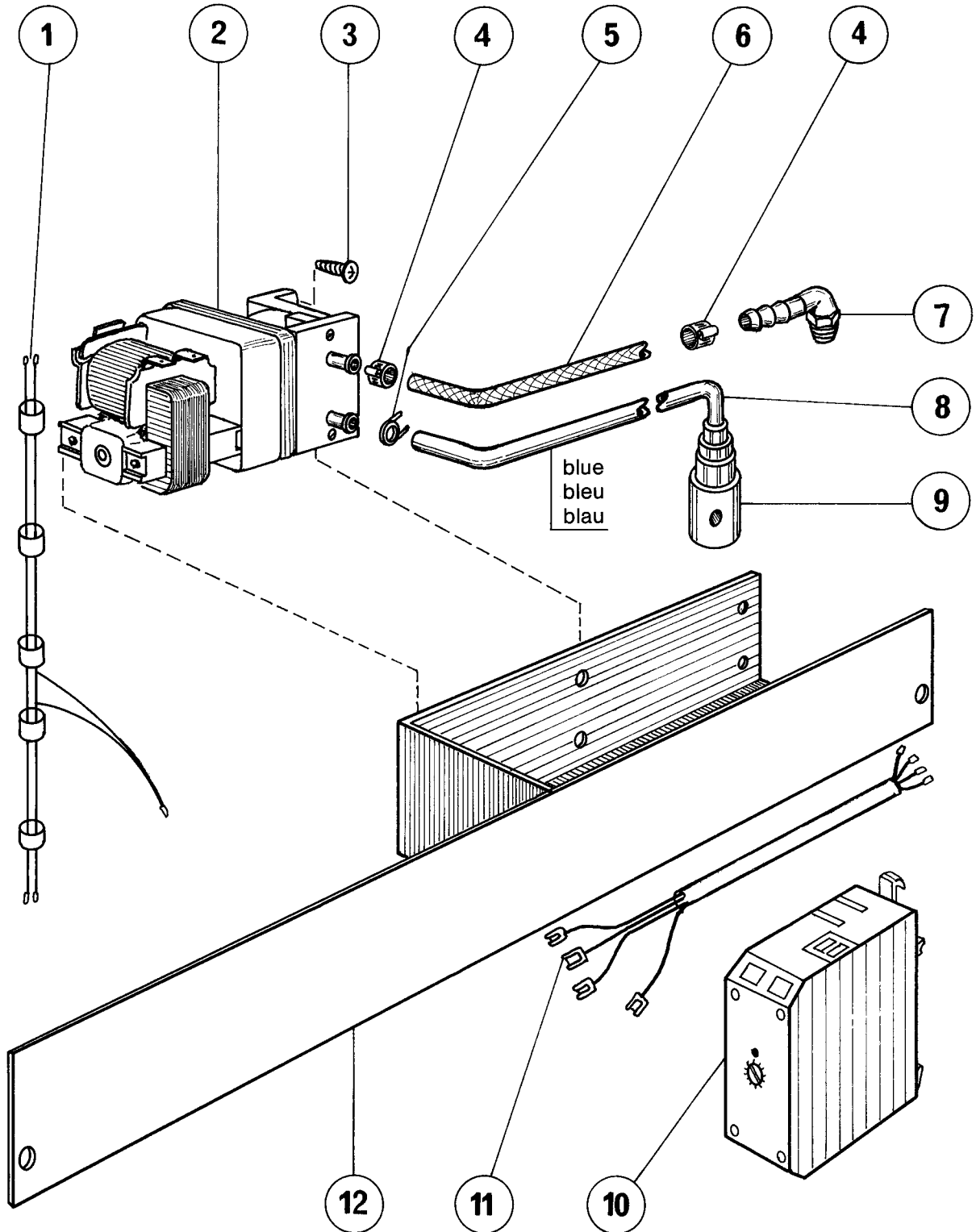


| key no.<br>réf.<br>Pos. Nr. | part no.<br>pièces no.<br>Teile-Nr. | part name<br>nom de la pièce<br>Teile-Benennung                                                                   |                             | qty.<br>qté.<br>Stck. |
|-----------------------------|-------------------------------------|-------------------------------------------------------------------------------------------------------------------|-----------------------------|-----------------------|
| 1                           | 228868                              | cable assembly<br>faisceau<br>Leitungssortiment                                                                   |                             | 1                     |
| 2                           | 228022-2                            | hose-pomp<br>pompe a tuyau<br>Schlauchpumpe                                                                       | 220-240/380-415/50-60/1-3/N | 1                     |
| 3                           | SD-26-9                             | self-tapping screw n° 10 x 1/2" truss phil. head<br>vis auto-taraucleuse SP n° 10 x 1/2"<br>Biehschraube 4,8 x 13 |                             | 2                     |
| 4                           | 228070-1                            | hose clip<br>pince<br>Schlauchklemme                                                                              |                             | 2                     |
| 5                           | 165168-6                            | hose PVC<br>tuyau PVC<br>PVC-Schlauch                                                                             |                             | 1                     |
| 6                           | 228755-1                            | angular screwed socket<br>manchon cornière vissé<br>Winkel-Einschraubstutzen                                      |                             | 1                     |
| 7                           | 165168-1                            | hose PVC<br>tuyau PVC<br>PVC-Schlauch                                                                             |                             | 1                     |
| 8                           | 227441                              | retaining valve<br>clapet de fond<br>Fußventil                                                                    |                             | 1                     |
| 9                           | 228180-1                            | time delay<br>relais temporise<br>Zeitrelais                                                                      | 220-240/380-415/50-60/1-3/N | 1                     |
| 10                          | 228723                              | cable<br>cable<br>Mantelleituna                                                                                   |                             | 1                     |
| 11                          | 228706                              | base front panel, assembly<br>habillage avant du socle, ensemble<br>Sockelverkleiduna. komolett                   |                             | 1                     |

vsezip.ru

+7(812)987-08-81

+7(812)987-08-81

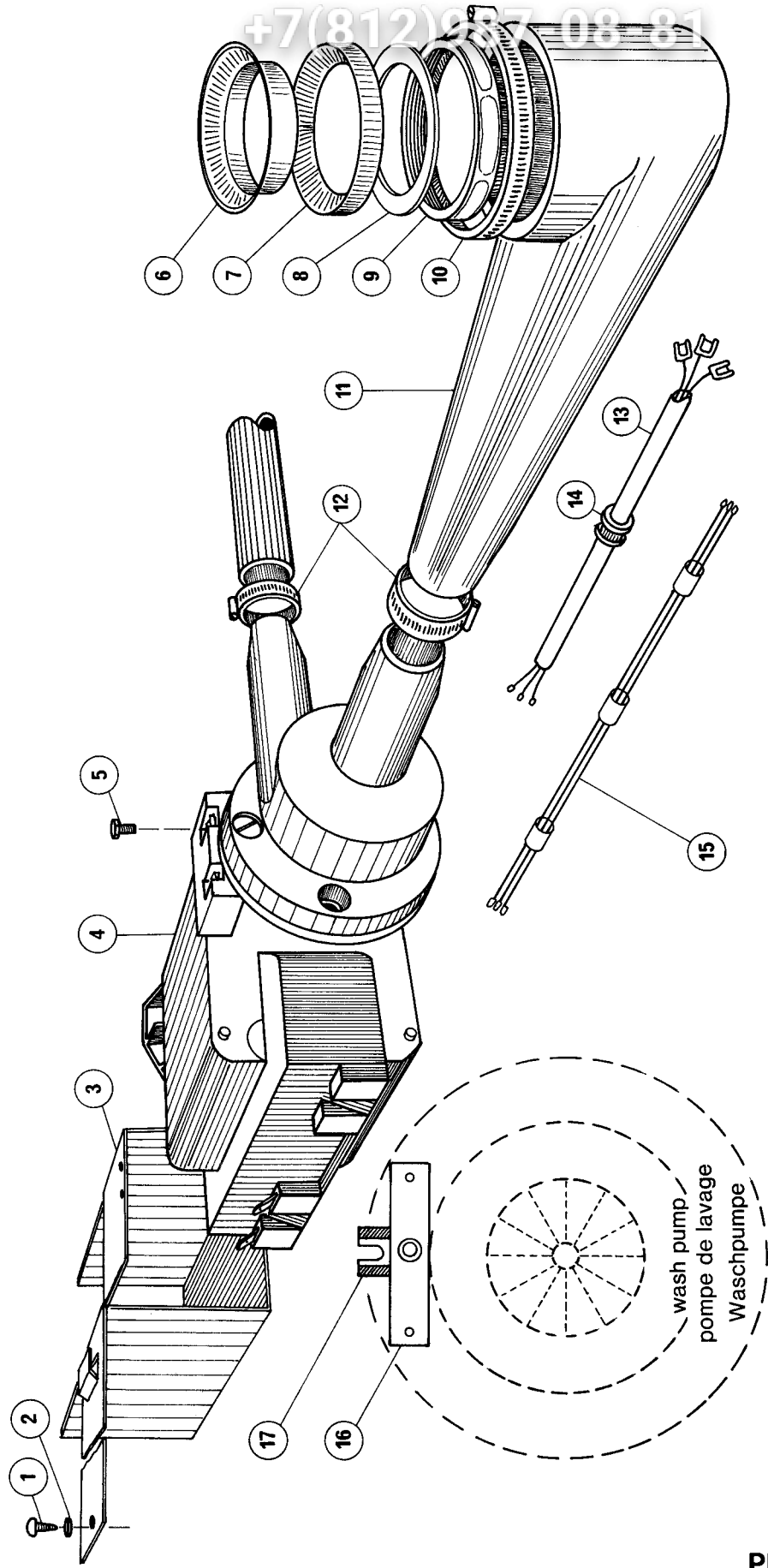


| key no.<br>ref.<br>Pos. Nr. | part no.<br>pièces no.<br>Teile-Nr. | part name<br>nom de la pièce<br>Teile-Benennung                                                                    | qty.<br>qté.<br>Stck. |
|-----------------------------|-------------------------------------|--------------------------------------------------------------------------------------------------------------------|-----------------------|
| 1                           | 228790                              | cable assembly<br>faisceau<br>Leitungssortiment                                                                    | 1                     |
| 2                           | 228022-2                            | hose pump<br>pompe a tuyau<br>Schlauchpumpe<br>220-240/380-415/50-60/1-3/N                                         | 1                     |
| 3                           | SD-26-9                             | self-tapping screw n° 10 x 1/2" truss phil. head<br>vis auto-taraucleuse SP n° 10 x 1/2"<br>Blechschraube 4,8 x 13 | 2                     |
| 4                           | 116513-2                            | hose clamp<br>collier<br>Schlauchschelle                                                                           | 2                     |
| 5                           | 228070-1                            | hose clip<br>pince<br>Schlauchklemme                                                                               | 1                     |
| 6                           | 169624-7                            | hose PVC<br>tuyau PVC<br>PVC-Schlauch                                                                              | 1                     |
| 7                           | 228755-1                            | angular screwed socket<br>manchon cornière vissé<br>Winkel-Einschraubstutzen                                       | 1                     |
| 8                           | 228757-1                            | hose PVC<br>tuyau PVC<br>PVC-Schlauch                                                                              | 1                     |
| 9                           | 227441                              | retaining valve<br>clapet de fond<br>Fußventil                                                                     | 1                     |
| 10                          | 228180-3                            | time delay<br>relais temporise<br>Zeitrelais<br>220-240/380-415/50-60/1-3/N                                        | 1                     |
| 11                          | 228723                              | cable<br>cable<br>Mantelleitung                                                                                    | 1                     |
| 12                          | 228706                              | base front panel, assembly<br>habillage avant du socle, ensemble<br>Sockelverkleidung, komplett                    | 1                     |

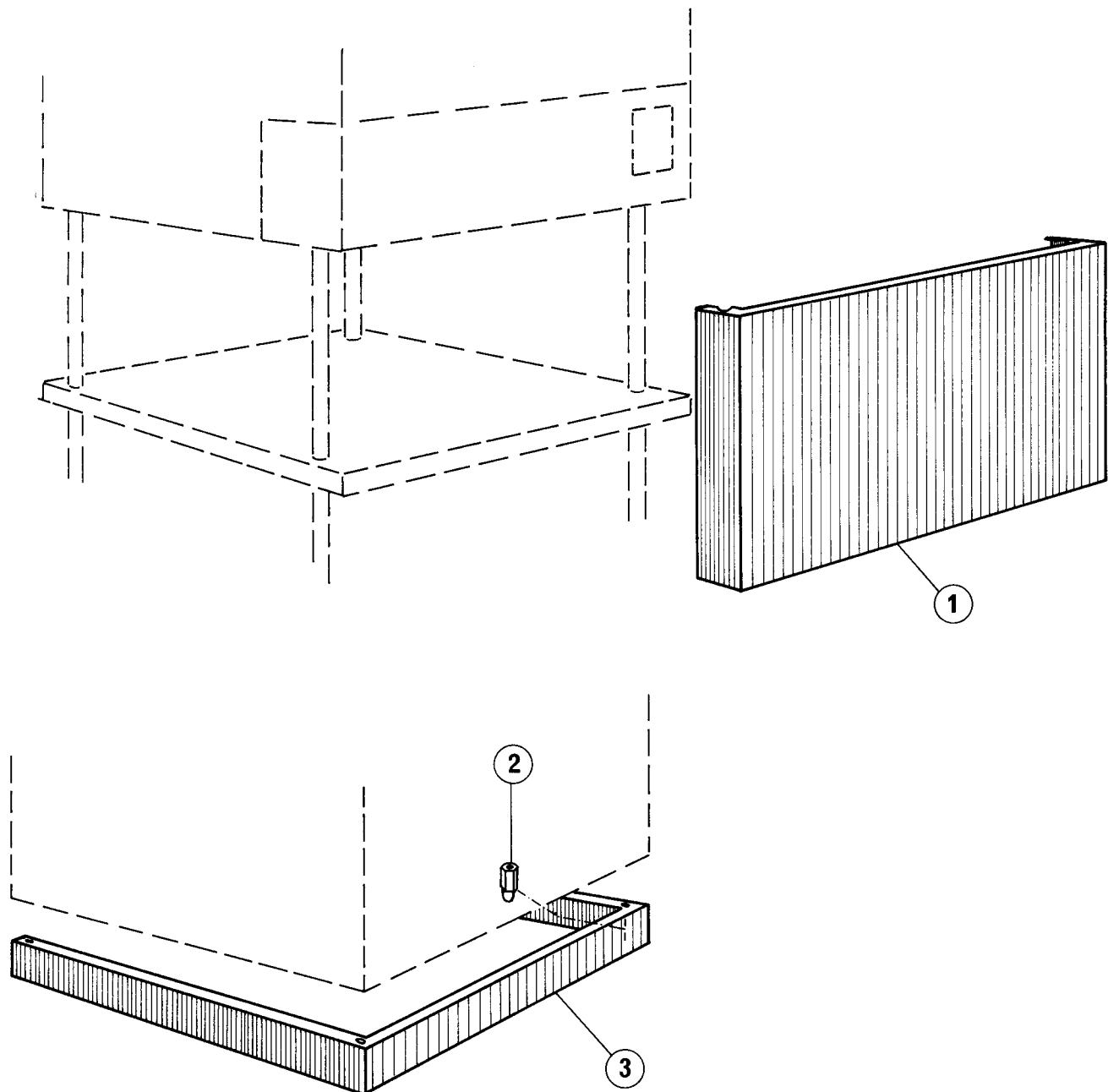


Drain pump  
Pompe de vidange  
Ablaufpumpe

+7(812)937-08-81



| key no.<br>réf.<br>Pos. Nr. | part no.<br>pièces no.<br>Teile-Nr. | part name<br>nom de la pièce<br>Teile-Benennung                                                                         | qty.<br>qté.<br>Stck. |
|-----------------------------|-------------------------------------|-------------------------------------------------------------------------------------------------------------------------|-----------------------|
| 1                           |                                     | mushroom head screw M 5 x 10 (s.st.)<br>vis RL, M 5 - 10 (inox)<br>Flachrundschraube M 5 x 10 - A2                      | 1                     |
| 2                           | 168611-4                            | gasket<br>joint<br>Dichtung                                                                                             | 1                     |
| 3                           | 228923                              | fixing device, assembly<br>fixation, ensemble<br>Halterung, komplett                                                    | 1                     |
| 4                           | 165653-1                            | drain pump<br>pompe de vidange 220-240/380-415/50-60/1-3/N<br>Ablaufpumpe                                               | 1                     |
| 5                           | SCM-E-13-6                          | SCM-E-I 3-6, hexagon head screw M 6 x 10 (s.st.)<br>vis H, M 6 - 10 (inox)<br>Sechskantschraube DIN 933 - M 6 x 10 - A2 | 2                     |
| 6                           | 226558-1                            | drain tunnel<br>entonnoire de vidange<br>Ablaufstutzen                                                                  | 1                     |
| 7                           | 226556                              | gasket<br>joint<br>Dichtung                                                                                             | 1                     |
| 8                           | 228694-3                            | washer<br>rondelle<br>Scheibe                                                                                           | 1                     |
| 9                           | 228924                              | nut<br>écrou<br>Mutter                                                                                                  | 1                     |
| 10                          | 166513-9                            | hose-clamp<br>collier<br>Schlauchschelle                                                                                | 1                     |
| 11                          | 228919                              | drain piece<br>piece de vidange<br>Ablaufstück                                                                          | 1                     |
| 12                          | 166513-1                            | hose-clamp<br>collier<br>Schlauchschelle                                                                                | 2                     |
| 13                          | 228744                              | PVC covered cable<br>câble à manteau PVC<br>Mantelleitung                                                               | 1                     |
| 14                          | 227748-1                            | cable-protecting sleeve<br>gaine de cable<br>Kabeldurchführungstülle                                                    | 1                     |
| 15                          | 228920                              | cable assembly<br>faisceau<br>Leitunossortiment                                                                         | 1                     |
| 16                          | 228917-1                            | time delay<br>relais temporisé<br>Zeitrelais                                                                            | 1                     |
| 17                          | 228925                              | mounting rail<br>rail de montage<br>Traaschiene                                                                         | 1                     |



PLE 100 546



Panel, extension piece

Panneau, socle

Verkleidung, Sockel

Зип Общепит

FM-30

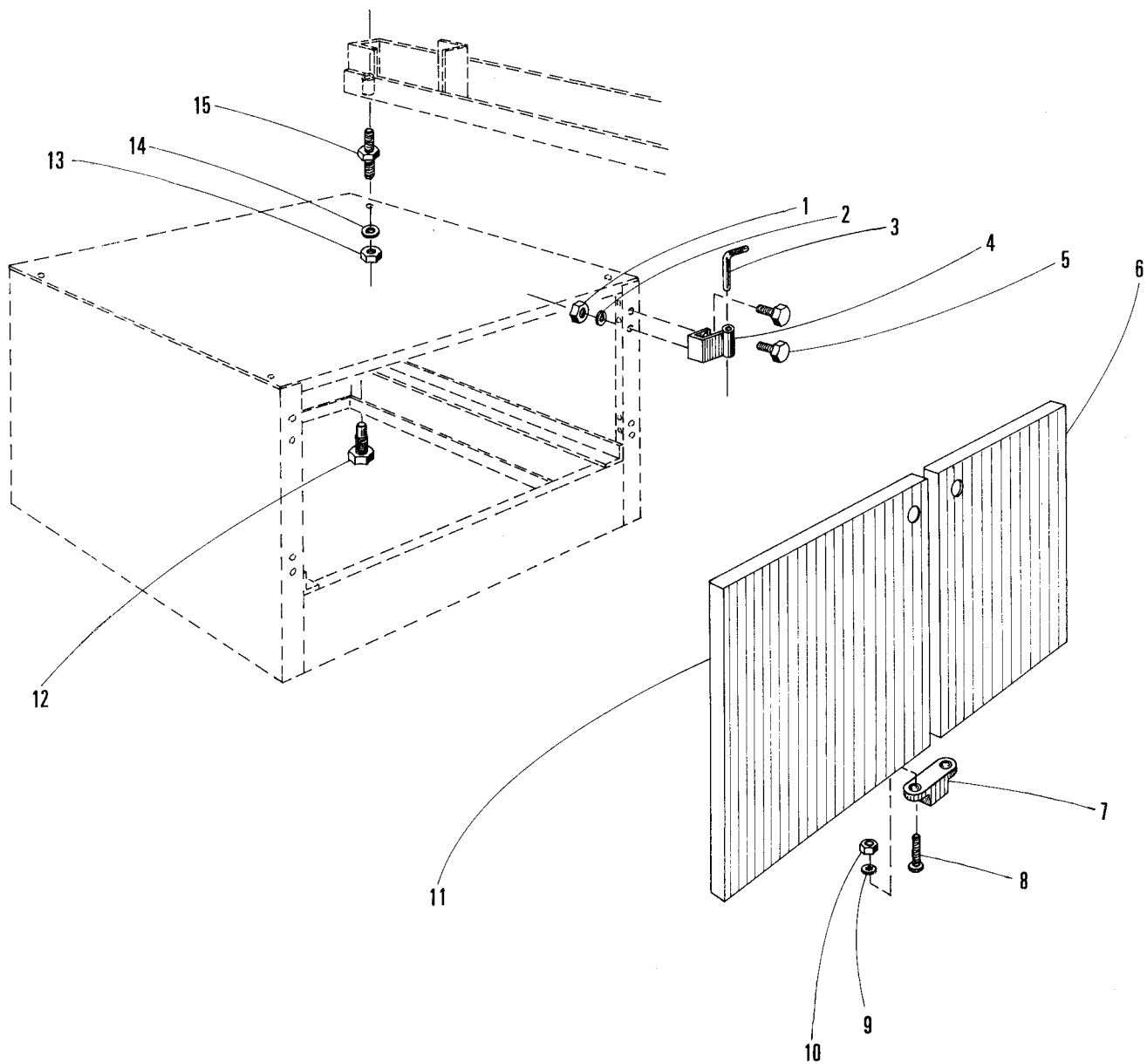
FM-30 U

| key no.<br>réf.<br>Pos. Nr. | part no.<br>pièces no.<br>Teile-Nr. | part name<br>nom de la pièce<br>Teile-Benennung                                                           |                                             | qty.<br>qté.<br>Stck. |
|-----------------------------|-------------------------------------|-----------------------------------------------------------------------------------------------------------|---------------------------------------------|-----------------------|
| 1                           | 228906                              | panel<br>panneau<br>Verkleidung                                                                           | FM-30 only<br>slt. FM-30<br>nur FM-30       | 1                     |
| 2                           | 227539                              | threaded spacer bolt<br>entretoise filetée<br>Zwischenstück mit Gewinde                                   | FM-30 U only<br>slt. FM-30 U<br>nur FM-30 U | 4                     |
| 3                           | 228758                              | extension piece, 900 mm machine height<br>socle, 900 mm hauteur de machine<br>Sockel 900 mm Maschinenhöhe | FM-30 U only<br>slt. FM-30 U<br>nur FM-30 U | 1                     |

vsezip.ru

+7(812) 417-08-81

+7(812)987-08-81



PLE 100 436

| key no.<br>réf.<br>Pos. Nr. | part no.<br>pièces no.<br>Teile-Nr. | part name<br>nom de la pièce<br>Teile-Benennung                                                                             | qty.<br>qté.<br>Stck. |
|-----------------------------|-------------------------------------|-----------------------------------------------------------------------------------------------------------------------------|-----------------------|
| 1                           | NUM-E-2-27                          | NUM-E-2-27, hexagon nut, M 5 (s.st.)<br>écrou H, M 5 (inox)<br>Sechskantmutter DIN 934 - M 5 - A 2                          | 8                     |
| 2                           | LWM-E-2-28                          | LWM-E-2-28, single coil lockwasher M 5 (s.st.)<br>rondelle WZ 5 (inox)<br>Feclerrina DIN 127 -A 5 - 1.4310                  | 8                     |
| 3                           | 228129                              | bolt<br>boulon<br>Bolzen                                                                                                    | 4                     |
| 4                           | 228133                              | hinge<br>charnière<br>Scharnier                                                                                             | 4                     |
| 5                           |                                     | mushroom head screw, M 5 x 15 (s.st.)<br>vis RL M 5 x 15 (inox)<br>Flachrundschrabe M 5 x 15 - A2                           | 8                     |
| 6                           | 228101                              | door, assembly, R.H.<br>porte, ensemble, côté droit<br>Tür, komplett, rechts                                                | 1                     |
| 7                           | 34651-1                             | magnetic catch<br>aimant<br>Magnet                                                                                          | 2                     |
| 8                           | SCM-E-1-21                          | SCM-E-1-21, slotted cheese head screw, M 3 x 10 (s.st.)<br>vis C M 3 - 10 (inox)<br>Zylinderschraube DIN 84 - M 3 x 10 - A2 | 4                     |
| 9                           | LWM-E-1-1                           | LWM-E-1-1, single coil lockwasher M 3 (s.st.)<br>rondelle WZ M 3 (inox)<br>Federring DIN 127 -A 3 - 1.4310                  | 4                     |
| 10                          | NUM-E-1-3                           | NUM-E-1-3, hexagon nut, M 3 (s.st.)<br>écrou H, M 3 (inox)<br>Sechskantmutter DIN 934 - M 3 -A 2                            | 4                     |
| 11                          | 228102                              | door, assembly, L.H.<br>porte, ensemble, côté gauche<br>Tür, komplett, links                                                | 1                     |
| 12                          | 226945                              | adjustable foot<br>ped réglable<br>Verstellfuß                                                                              | 4                     |
| 13                          | NUM-E-4-27                          | NUM-E-4-27, hexagon nut, M 12 (s.st.)<br>écrou H, M 12 (inox)<br>Sechskantmutter DIN 934 - M 12 -A 2                        | 4                     |
| 14                          | WAM-E-8-44                          | WAM-E-8-44, plain washer M 12 (s.st.)<br>rondelle M 12 N (inox)<br>Scheibe DIN 125 - B 12 - A2                              | 4                     |
| 15                          | 228167                              | junction bolt<br>boulon de jonction a double filetage<br>Verbindungsteil                                                    | 4                     |
| 16                          | 172523                              | plug<br>bouchon<br>Stopfen                                                                                                  | 2                     |
|                             | 228100                              | supporting frame, assembly<br>bâti inférieur, ensemble<br>Untergestell, komplett                                            | 1                     |
|                             |                                     | (not for U.K.)<br>(pas pour l'Angleterre)<br>(nicht für England)                                                            |                       |

**Зип Общепит**  
**vsezip.ru**  
**+7(812)987-08-81**

As continued product improvement is a policy of HOBART, specifications are subject to change without notice.

Ce catalogue n'est pas contractuel. La Compagnie HOBART se réserve le droit, et sans préavis, d'apporter toutes modifications ou améliorations à ses matériels.

Die Firma HOBART behält sich das Recht vor, an allen ihren Produkten technische Änderungen und Verbesserungen ohne Ankündigung vorzunehmen.