



Зип Общепит

vsezip.ru

+7(812)987-08-81

**CATALOG OF
REPLACEMENT
PARTS**



**MODEL 6430 & 6460
POTATO PEELER**

6430T	ML-137602
6430T CAN	ML-137603
6460T	ML-137604
6460T CAN	ML-137605
6460CT	ML-137606

PRIOR MLS COVERED IN THIS CATALOG

6430	ML-019628
6430T	ML-019629
6430T W/O MOTOR	ML-038699
6430C	ML-104560
6430CT	ML-104561
6460	ML-019630
6460T	ML-019631
6460T W/O MOTOR	ML-038700
6460C	ML-104562
6460CT	ML-104563
6460M	ML-104809
6460MT	ML-104810

Вит Общепит

vsezip.ru

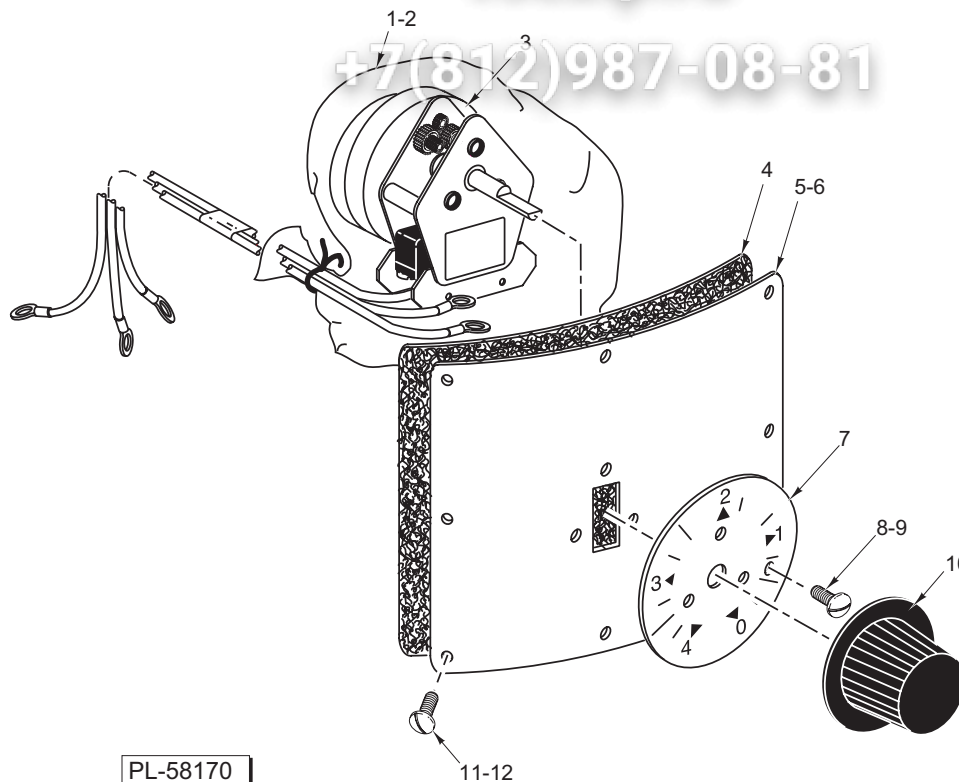
+7(812)987-08-81

vsezip.ru

+7(812)987-08-81

Table of Contents

4	Timer Unit (Previous Construction)
5	Timer Unit (Current Construction)
7	Controls Unit
8	Housing Unit
11	Chute Unit
13	Liner Unit
15	Drive Unit
17	Peel Trap Unit
19	Disposer Stand Unit (1 Phase)

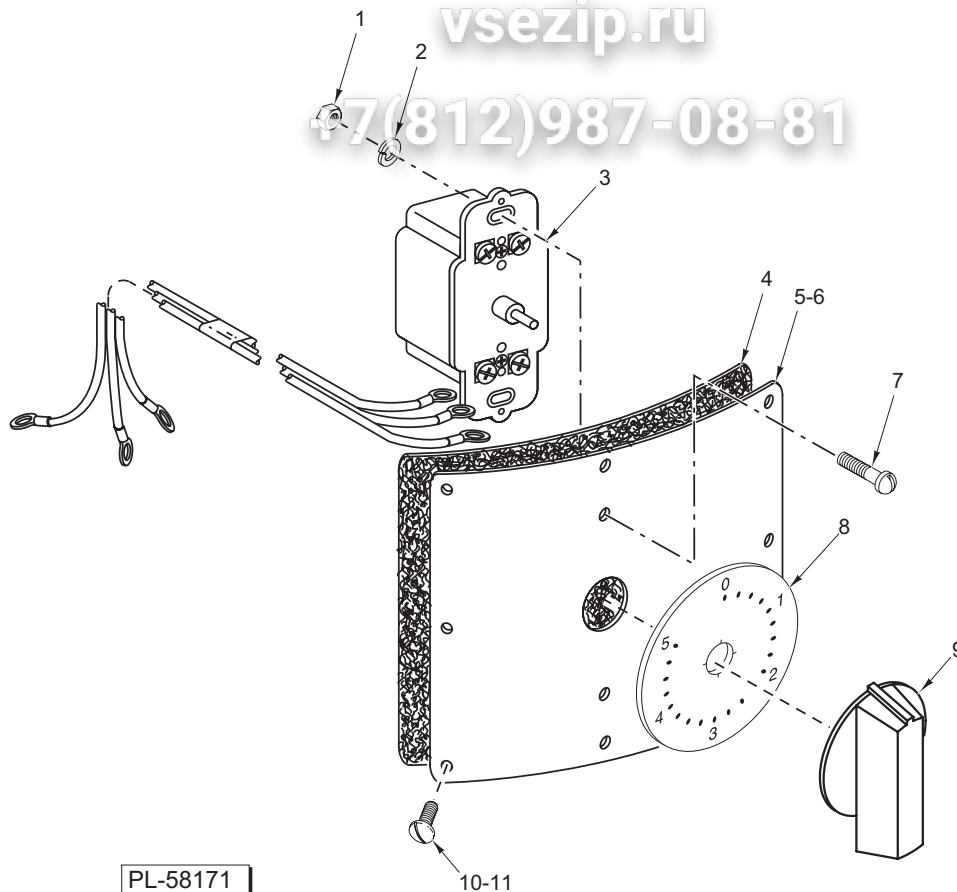


PL-58170

TIMER UNIT (PREVIOUS CONSTRUCTION)

ILLUS.	PART NO.	NAME OF PART	AMT.
PL-58170			
1	00-066003	Bag – Protective	1
2	00-065539	Tie – Plastic Bag	1
*3	-	Timer – Spring Wound	1
4	00-124528	Gasket – Cover	1
5	00-124571	Plate – Timer Cover	1
6	00-124571-00002	Plate – Timer Cover (6430C/6460C)	1
7	00-063206	Dial – Timer	1
8	SC-019-11	Mach. Screw 8-32 x 3/8 Slotted Binding Hd.	3
9	SC-128-68	Mach. Screw 8-32 x 3/8 Tx. Button Hd. (6460CT).....	3
10	00-291748	Knob – Timer	1
11	SD-033-44	Self-Tapping Screw 8-18 x 5/16 Slotted Pan Hd., Type B	8
12	SD-037-78	Self-Tapping Screw 8-18 x 3/8 Hex Button Hd. (SST) (6430C/6460C)	8

*On machines built before March 7, 2006, order kit 00-914431.



TIMER UNIT (CURRENT CONSTRUCTION)

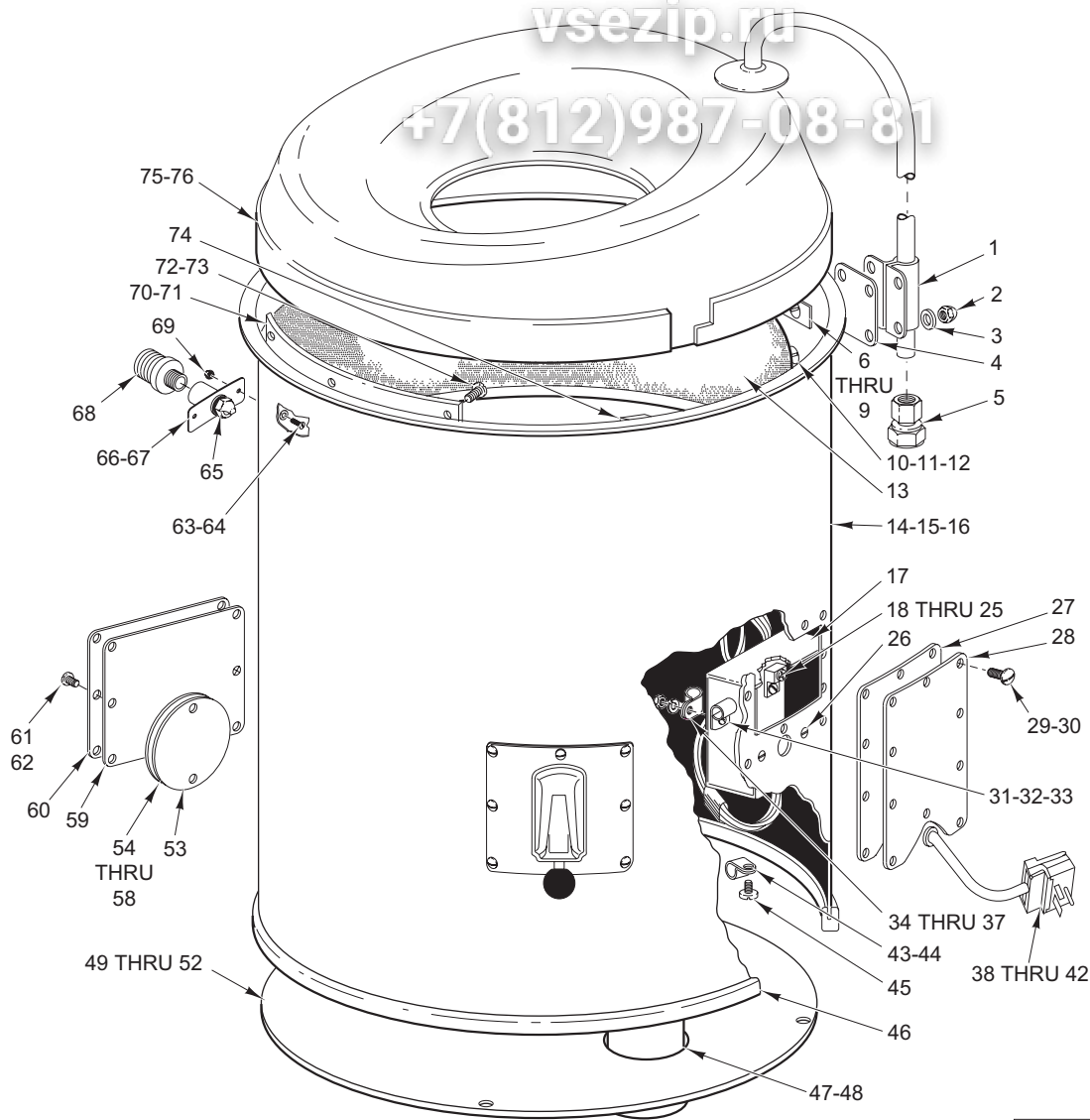
ILLUS.	PART NO.	NAME OF PART	AMT.
	PL-58171		
1	NS-011-07	Nut 6-32 Mach. Hex (6460CT).....	2
2	WL-014-03	Washer #6 External (6460CT)	2
*3	00-914290	Timer – Spring Wound	1
4	00-124528	Gasket – Cover	1
5	00-891500	Cover – Timer (6430/6460).....	1
6	00-891500-00002	Cover – Timer (6460C)	1
7	SC-021-08	Mach. Screw 6-32 x 3 1/8 Slotted Round Hd. (SST).....	2
8	00-914432	Dial – Adhesive (6430/6460).....	1
9	00-891505	Knob – Timer	1
10	SD-033-44	Self-Tapping Screw 8-18 x 5/16 Slotted Pan Hd., Type B	8
11	SD-037-78	Self-Tapping Screw 8-18 x 3/8 Hex Button Hd. (SST) (6430C/6460C)	8
	00-914431	Kit – Spring Wound Timer Assy. (Incls. Items 1 thru 4, 7, 8, & 9)	1

*On machines built before March 7, 2006, order kit 00-914431.

CONTROLS UNIT

ILLUS.	PART NO.	NAME OF PART	AMT.
	PL-58163		
1	00-437275	Hasp Weldment (6460C)	1
2	00-437274	Cover – Hinge & Latch Assy. (6460C)	1
3	SD-033-44	Self-Tapping Screw 8-18 x 5/16 Slotted Pan Hd., Type B.....	8
4	SD-037-78	Self-Tapping Screw 8-18 x 3/8 Hex Button Hd., Type AB (SST) (6430C/6460C).....	8
5	SC-128-62	Mach. Screw 10-24 x 1/2 Tx. Button Hd. (6460C/6460CT)	8
6	00-105197	Knob – Switch Rod	1
7	00-121559	Sleeve – Actuating Rod	1
8	00-105150	Housing – Switch Seal.....	1
9	00-124635	Gasket – Switch Housing.....	1
10	00-875609	Rod – Switch (SST)	1
11	SD-015-41	Self-Tapping Screw 8-32 x 1/2 Phil. Pan Hd., Type TT	2
12	00-875176	Switch (1 Ph.) (For Toggle-Switch Type).....	1
13	00-875174	Switch (3 Ph.) (For Toggle-Switch Type).....	1
14	00-066003	Bag – Protective (Behind Item 23).....	1
15	00-501046	Bag – Plastic (6430/6460)	1
16	00-065539	Tie – Plastic Bag (Behind Item 23)	1
*17	-	Cover – Switch.....	1
18	00-087711-212-1	Switch (1 Ph.) (For Light-Switch Type)	1
19	00-087711-206-1	Switch (3 Ph.) (For Light-Switch Type)	1
*20	-	Rod – Switch Activating	1
21	NS-032-01	Lock Nut 10-24 (6460C/6460CT).....	8
22	00-875166	Cover – Switch.....	1
23	00-875166-00002	Cover – Switch (6460C).....	1
24	00-124528	Gasket – Cover.....	1
	00-875170	Switch Assy. (3 Ph.) (6430/6460) (Incls. Items 5 thru 10, 12 thru 16, and 18).....	1
	00-875170-00002	Switch Assy. (3 Ph.) (6460C) (Incls. Items 5 thru 10, 12, 13, 14, 17 and 18)	1
	00-875210	Switch Assy. (1 Ph.) (6460M) (Incls. Items 5 thru 11, 13, 14, 16 and 18)	1

*These parts are no longer available. If required, order switch assembly part number 875210 for 1-phase unit or 875170 for 3-phase unit.



PL-58164

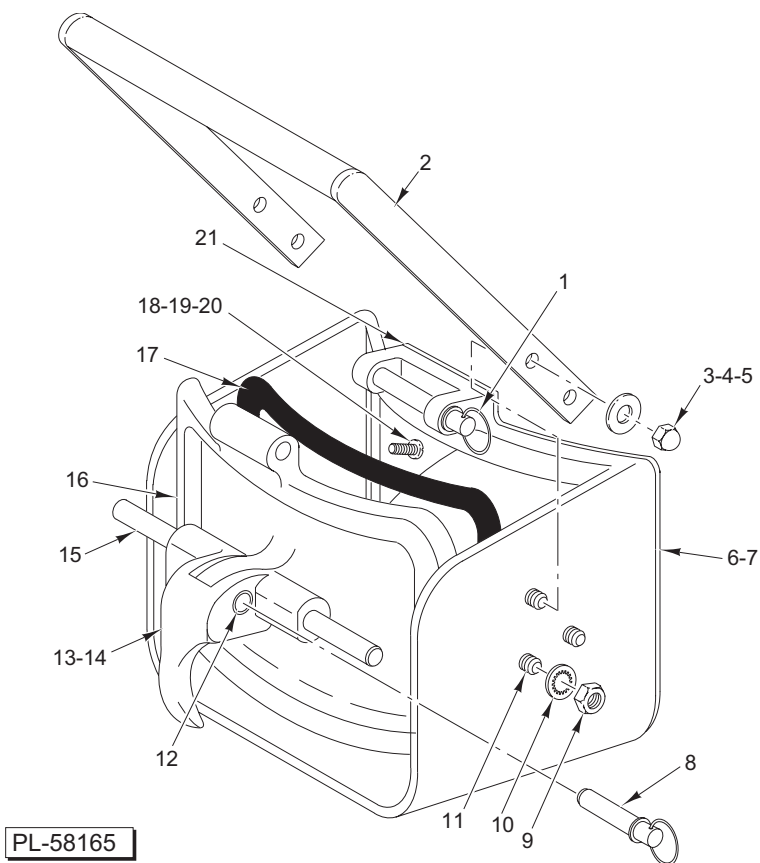
HOUSING UNIT

ILLUS.	PART NO.	NAME OF PART	AMT.
PL-58164			
1	00-078115	Fill Tube & Bracket Assy.	1
2	NS-025-01	Crown Nut 10-24 (SST)	4
3	WS-002-30	Washer (Fiber)	AR
4	00-078105	Gasket – Fill Tube	1
5	00-069903-00002	Coupling (1/2 Female Pipe x 5/8 Tube)	1
6	SC-022-18	Mach. Screw 10-24 x 7/16 Slotted Flat Hd. (SST)	2
7	SC-129-04	Mach. Screw 10-24 x 3/8 Tx. Flat Hd. (SST) (6460C/6460CT)	2
8	SC-122-14	Mach. Screw 10-24 x 3/8 Hex Flat Hd. (SST) (6430C)	2
9	00-124518	Bracket – Support	1
10	SC-025-07	Mach. Screw 10-24 x 5/16 Slotted Binding Hd. (SST)	2
11	SC-128-69	Mach. Screw 10-24 x 3/8 Tx. Button Hd. (SST) (6460C/6460CT)	2
12	SC-121-94	Mach. Screw 10-24 x 3/8 Hex Button Hd. (SST) (6430C)	2
*13	-	Kit – Liner	2
14	00-124697-00001	Housing – Formed (6430)	1
15	00-124697-00002	Housing – Formed (6460/6460M)	1

HOUSING UNIT (Cont.)

ILLUS. PL-58164	PART NO.	NAME OF PART	AMT.
16	00-124697-00003	Housing – Formed (6430C)	1
17	00-290497	Bracket – Wire Clamp	1
18	00-118544-00001	Lug – Solderless	1
19	SC-008-41	Mach. Screw 10-32 x 1/2 Slotted Rd. Hd.	1
20	WL-007-12	Lockwasher #10 External Shakeproof	1
21	NS-009-30	Mach. Nut 10-32 Hex	1
22	SC-027-28	Mach. Screw 8-32 x 1/4 Slotted Rd. Hd.	6
23	SC-027-29	Mach. Screw 8-32 x 3/8 Slotted Rd. Hd.	1
24	WL-010-01	Lockwasher #8 External	1
25	NS-010-11	Nut 8-32 Hex	1
26	SC-022-09	Mach. Screw 8-32 x 1/2 Slotted Flat Hd. (SST)	2
27	00-124527	Gasket – Junction Box Cover	1
28	00-124525	Cover – Junction Box	1
29	SD-033-44	Self-Tapping Screw 8-18 x 5/16 Slotted Pan Hd., Type B	26
30	SD-037-78	Self-Tapping Screw 8-18 x 3/8 Hex Button Hd., Type AB (SST) (6430C/6460C)	18
31	00-078752-00011	Clamp – Motor Lead (1 Ph.)	1
32	00-078752-00006	Clamp – Motor Lead (3 Ph.)	1
33	SC-081-17	Mach. Screw 10-32 x 1 Slotted Rd. Hd.	1
34	00-078752-00004	Clamp – Motor Lead (1 Ph.)	3
35	00-078752-00006	Clamp – Motor Lead (3 Ph.) (Non-Timed)	1
36	WL-007-12	Lockwasher #10 External Shakeproof	1
37	NS-009-30	Mach. Nut 10-32 Hex	1
38	00-477598	Plug Cord (1 Ph.) (6460M)	1
39	00-117612-00018	Plug Cord (3 Ph.) (6460M)	1
40	FE-023-40	Strain Relief – Electrical (1 Ph.) (6460M)	1
41	FE-015-38	Strain Relief – Electrical (3 Ph.) (6460M)	1
42	FE-009-32	Strain Relief – Electrical (6460M)	AR
43	00-078752-00004	Clamp – Motor Lead (1 Ph.)	2
44	00-078752-00010	Clamp (3 Ph.)	1
45	SC-009-65	Mach. Screw 8-32 x 1/4 Slotted Rd. Hd.	2
46	00-062635-00002	Base – Rubber	1
47	00-082437	Hose – Drain	1
48	00-089977	Clamp – Hose	1
49	00-078138	Plate – Bottom Cover	1
50	SC-041-10	Cap Screw 5/16-18 x 5/8 Hex Hd. (SST)	4
51	WL-006-22	Lockwasher 5/16 Light (SST)	4
52	NS-018-06	Jam Nut 5/16-18 Hex Fin (SST)	8
53	00-124529	Gasket – Reset Cover	1
54	00-124526	Plate – Blank Cover	1
55	00-070641-00018	Thumb Screw 8-32	2
56	NS-031-08	Stop Nut 8-32 Special ESNOW (SST) (Use with Top Thumb Screw)	1
57	SC-121-71	Mach. Screw 8-32 x 3/8 Tx. Button Hd. (SST) (6460CT)	2
58	SC-121-92	Mach. Screw 8-32 x 3/8 Tx. Button Hd. (SST) (6460C)	2
59	00-124528	Gasket – Cover	1
60	00-124522	Cover – Blank	1
61	SD-033-44	Self-Tapping Screw 8-18 x 5/16 Slotted Pan Hd., Type B	8
62	SD-039-29	Self-Tapping Screw 8-18 x 3/8 Tx. Button Hd. (6460C/6460CT)	18
63	WS-002-30	Washer (6460M)	2
64	SC-022-18	Mach. Screw 10-24 x 7/16 Slotted Flat Hd. (SST) (6460M)	2
65	00-477601	Nozzle – Spray (6460M)	1
66	00-477603	Bracket – Water Inlet (6460M)	1
67	00-477606	Gasket – Water Inlet (6460M)	1
68	FP-087-68	Fitting – Hose 3/4 Male to 3/8 MPT (6460M)	1
69	NS-025-01	Crown Nut 10-24 (SST) (6460M)	2
70	00-124754-00001	Reinforcement – Hopper (6430)	1
71	00-124754-00002	Reinforcement – Hopper (6460)	1
72	SC-053-06	Mach. Screw 10-24 x 5/8 Slotted Truss Hd. (SST)	3
73	SC-129-05	Mach. Screw 10-24 x 5/8 Tx. Button Hd. (SST) (6460CT/6460C)	3
74	00-077914	Pad – Hopper Top Locking	2
75	00-077919	Top – Hopper	1
76	00-479163	Top – Hopper (Thicker) (6460M)	1

*Discontinued. See liner unit, Page 13, for updated parts.



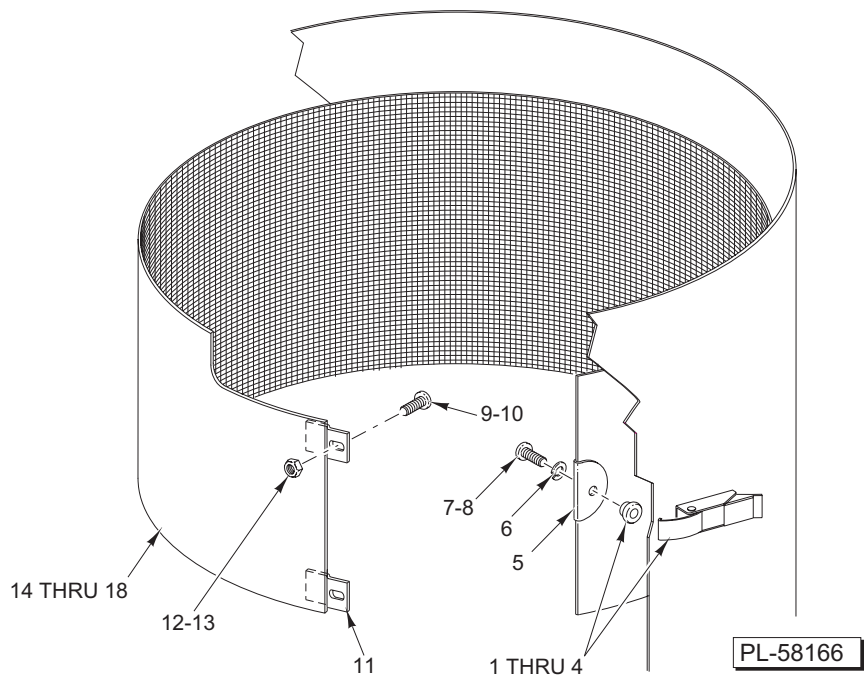
CHUTE UNIT

vsezip.ru

+7(812)987-08-81

CHUTE UNIT

ILLUS.	PART NO.	NAME OF PART	AMT.
	PL-58165		
1	00-292011-00001	Pin – Lock.....	1
2	00-477154	Handle (6460M/6460MT).....	1
3	SC-041-02	Cap Screw 1/4-20 x 1 Hex Hd. (SST) (6460M/6460MT).....	4
4	WS-017-08	Washer (SST) (6460M/6460MT).....	8
5	NS-025-04	Crown Nut 1/4-20 (SST) (6460M/6460MT).....	4
6	00-477157	Chute (6460M/6460MT).....	1
7	00-077981	Chute.....	1
8	00-292011-00003	Pin – Lock.....	1
9	NS-018-06	Jam Nut 5/16-18 Hex Fin (SST).....	2
10	WL-008-22	Lockwasher 5/16 Internal Shakeproof.....	2
11	00-064200-00002	Stud – Latch.....	2
12	00-078145	Bushing – Chute Door.....	1
13	00-437418	Handle – Door.....	1
14	00-437455	Handle – Locking Assy. (Incls. Items 13 & 15).....	1
15	00-290338	Shaft – Door Locking.....	2
16	00-078148	Chute Door – Bushing & Seal Assy. (Incls. Item 17).....	1
17	00-062372-00002	Seal – Chute Door.....	1
18	SC-112-77	Mach. Screw 10-24 x 7/16 Slotted Pan Hd. (SST).....	8
19	SC-121-94	Mach. Screw 10-24 x 3/8 Hex Button Hd. (SST) (6430C/6430CT).....	8
20	SC-128-69	Mach. Screw 10-24 x 3/8 Tx. Button Hd. (SST) (6460C/6460CT).....	8
21	00-078114	Gasket – Chute.....	1
	00-477153	Chute – Handle Assy. (Incls. Items 2 thru 6) (6460M/6460MT).....	1
	00-437420	Door & Handle Assy. (Incls. Items 8, 14, & 16).....	1



LINER UNIT

vsezip.ru

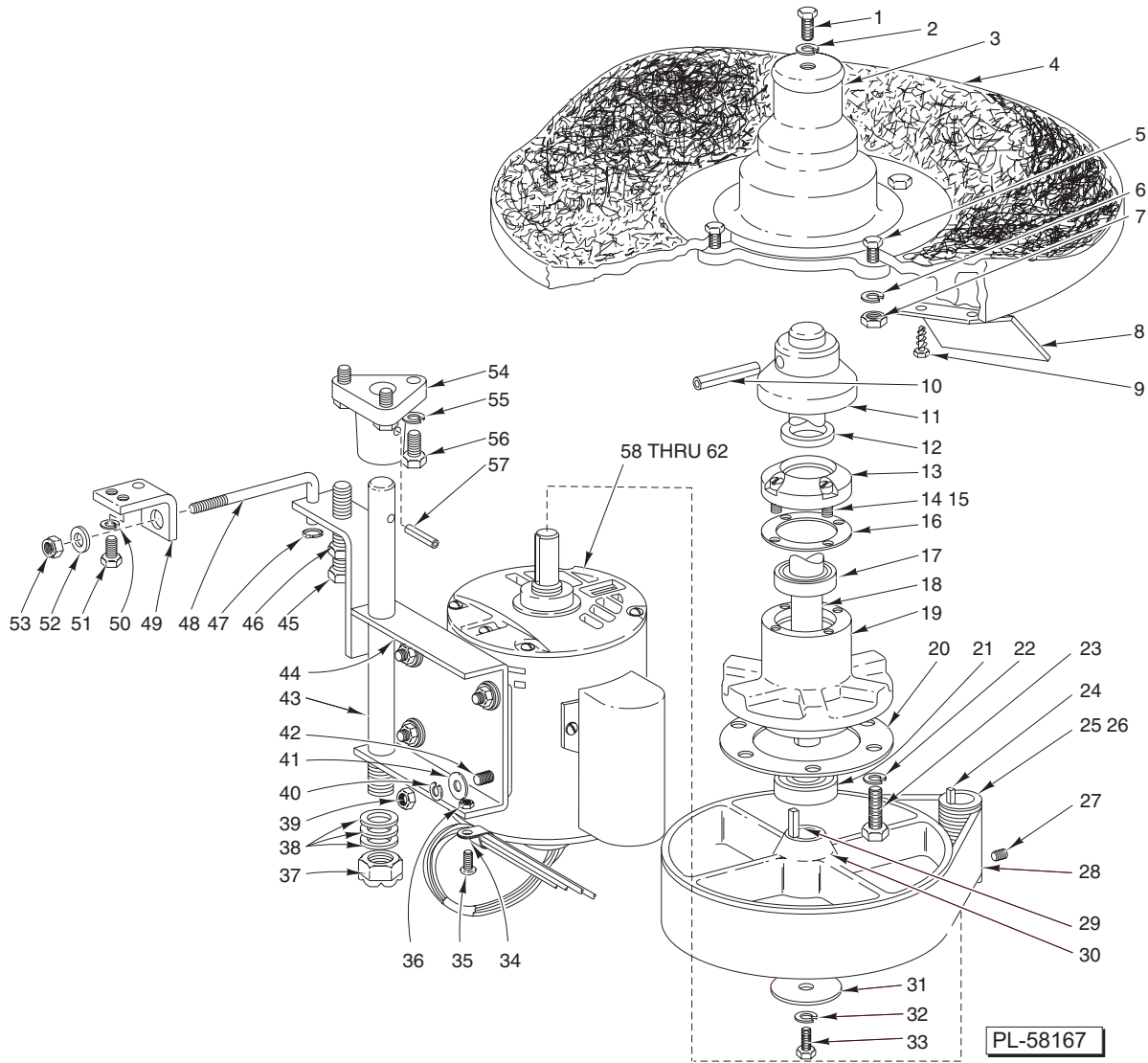
+7(812)987-08-81

LINER UNIT

ILLUS.	PART NO.	NAME OF PART	AMT.
PL-58166			
1	00-479480	Latch – Keeper & Draw.....	1
2	SC-127-84	Mach. Screw 8-32 x 5/16 Phil. Round Hd. (SST).....	2
3	SC-128-46	Mach Screw 8-32 x 5/16 Hex Button Hd. (SST) (6430C/6430CT/6460C/6460CT)	2
4	NS-031-08	Stop Nut Special 8-32 ESNA (SST).....	2
5	00-479473	Bracket – Liner.....	1
6	WL-006-11	Lockwasher #12 Light (SST)	1
7	SC-066-26	Mach. Screw 12-24 x 1/2 Phil. Truss Hd. (SST).....	1
8	SC-129-11	Mach. Screw 12-24 x 1/2 Tx. Button Hd. (SST) (6430C/6430CT/6460C/6460CT)	1
9	SC-109-62	Mach. Screw 10-24 x 3/8 Slotted Pan Hd. (SST)	2
10	SC-121-94	Mach Screw 10-24 x 3/8 Hex Button Hd. (SST) (6430C/6430CT/6460C/6460CT).....	2
11	00-479475	Bracket – Liner LH.....	2
12	NS-025-01	Crown Nut 10-24 (SST)	2
13	NS-031-15	Stop Nut 10-24 (SST)	2
14	00-479494-00002	Liner Service Assy. (6430/6430T) (Incls. Hardware)	1
15	00-479494-00003	Liner Service Assy. (6460/6460T) (Incls. Hardware)	1
16	00-479494-00004	Liner Service Assy. (6460M) (Incls. Hardware).....	1
17	00-479494-00005	Liner Service Assy. (6430C/6430CT) (Incls. Hardware)	1
18	00-479494-00006	Liner Service Assy. (6460C/6460CT) (Incls. Hardware)	1

vsezip.ru

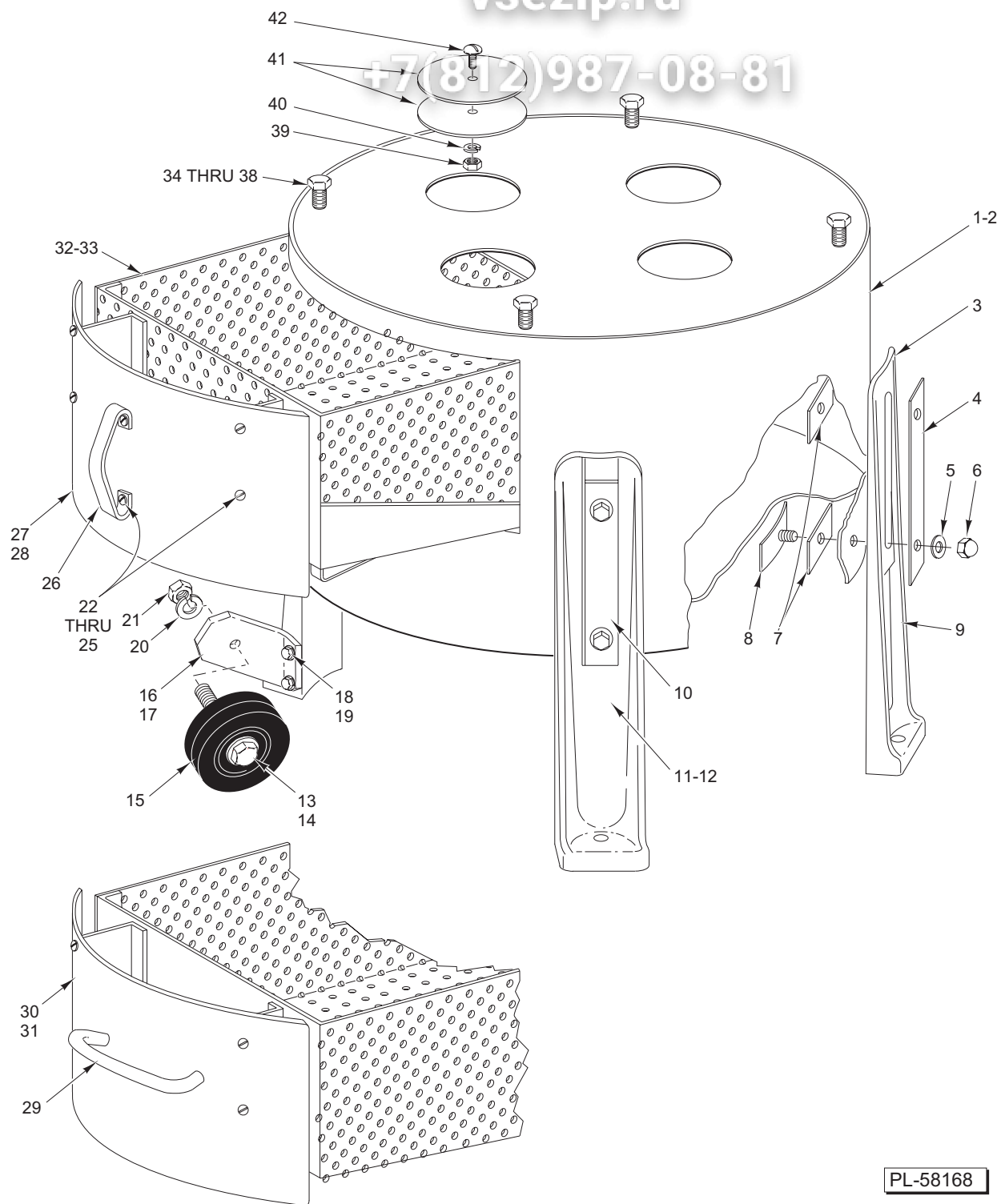
+7(812)987-08-81



DRIVE UNIT

DRIVE UNIT

ILLUS.	PART NO.	NAME OF PART	AMT.
PL-58167			
1	SC-041-09	Cap Screw $\frac{5}{16}$ -18 x $\frac{1}{2}$ Hex Hd. (SST)	1
2	00-070706-00002	Washer – Sealer	1
3	00-078154	Drive Hub & Liner Assy.	1
4	00-078198	Abrasive Disc (Disc Only)	1
5	SC-041-31	Cap Screw $\frac{3}{8}$ -16 x $1\frac{1}{4}$ Hex Hd. (SST)	4
6	WL-006-27	Lockwasher $\frac{3}{8}$ Light (SST)	4
7	NS-018-14	Jam Nut $\frac{3}{8}$ -16 Hex (SST)	4
8	00-078109	Wiper – Hopper	2
9	SD-009-16	Self-Tapping Screw $\frac{1}{4}$ -20 x $\frac{3}{4}$ Hex Hd., Type F	4
10	PS-003-40	Spiral Pin $\frac{3}{8}$ Dia. x $2\frac{1}{4}$ Lg. (SST)	1
11	00-077960	Flinger	1
12	00-077483	Seal – Drive Shaft	1
13	00-077979	Retainer – Bearing	1
14	SC-012-36	Mach. Screw 10-24 x $\frac{3}{4}$ Slotted Fil. Hd.	4
15	WL-003-20	Lockwasher #10 Light	4
16	00-078106	Gasket – Bearing Retainer	1
17	BB-015-08	Ball Bearing SKF 6005-2RSI/C3 OE6 HT 51	1
18	00-077965	Shaft – Drive	1
19	00-077978	Support – Drive Shaft	1
20	00-078110	Gasket – Support Hub	1
21	BB-005-34	Ball Bearing NSK 6204DDUCE1SRIS	1
22	WL-004-03	Lockwasher $\frac{3}{8}$ Medium	6
23	SC-036-57	Cap Screw $\frac{3}{8}$ -16 x $1\frac{1}{4}$ Hex Hd.	6
24	00-012430-00064	Key	1
25	00-077989	Pulley – Motor (60 Hz.)	1
26	00-081356	Pulley – Motor (50 Hz.)	1
27	SC-047-12	Set Screw $\frac{1}{4}$ -20 x $\frac{3}{8}$ Soc. Hdls., Kn. Cup Pt.	1
28	00-078094	Belt – Drive	1
29	00-012430-00148	Key	1
30	00-077962	Pulley – Drive	1
31	WS-005-08	Washer	1
32	WL-007-19	Lockwasher $\frac{5}{16}$ External Shakeproof	1
33	SC-036-25	Cap Screw $\frac{5}{16}$ -18 x $\frac{3}{4}$ Hex Hd.	1
34	00-078752-00004	Clamp – Motor Lead	1
35	SC-007-42	Mach. Screw 8-32 x $\frac{1}{2}$ Slotted Rd. Hd.	1
36	NS-009-12	Mach. Nut 8-32 Hex	1
37	NS-031-41	Stop Nut $\frac{3}{4}$ -16 Elastic	1
38	WS-012-41	Washer	AR
39	NS-013-11	Nut $\frac{5}{16}$ -18 Hex Fin	4
40	WL-003-43	Lockwasher $\frac{5}{16}$ Light	4
41	WS-005-05	Washer	4
42	SC-036-25	Cap Screw $\frac{5}{16}$ -18 x $\frac{3}{4}$ Hex Hd.	4
43	00-077964-00001	Shaft – Motor Mount	1
44	00-077993	Motor Mounting Bracket Assy.	1
45	SC-111-75	Cap Screw $\frac{3}{8}$ -16 x $3\frac{1}{2}$ Hex Hd. (Thd. to Hd.)	1
46	NS-013-22	Nut $\frac{3}{8}$ -16 Hex Fin	1
47	RR-007-10	Retaining Ring	1
48	00-077987-00001	Tightener – Belt	1
49	00-077988	Bracket – Belt Tightener	1
50	WL-003-43	Lockwasher $\frac{5}{16}$ Light	2
51	SC-090-07	Cap Screw $\frac{5}{16}$ -24 x $\frac{5}{8}$ Hex Hd.	2
52	WS-004-25	Washer	1
53	NS-032-12	Stop Nut $\frac{5}{16}$ -18 Flexloc	1
54	00-077961	Support Motor Mount	1
55	WL-003-44	Lockwasher $\frac{5}{16}$ Medium	3
56	SC-090-08	Cap Screw $\frac{5}{16}$ -24 x 1 Hex Hd.	3
57	PS-003-24	Spiral Pin $\frac{1}{4}$ Dia. x $1\frac{1}{2}$ Lg.	1
58	00-875503-00001	Motor (115/200-230 V., 60 Hz., 1 Ph.)	1
59	00-875504-00001	Motor (200-230/460 V., 60 Hz., 3 Ph.)	1
60	00-278172-00002	Motor (115/200-240 V., 50 Hz., 1 Ph.)	1
61	SD-015-39	Self-Tapping Screw 8-32 x $\frac{1}{4}$ Phil. Pan Hd., Type TT	1
62	WL-007-07	Lockwasher #8 External	1
	00-078240	Vertical Drive Assy. (Incls. Items 10 thru 19 & 21)	1
	00-123730	Hub Disc Assy. (Incls. Items 1 thru 9)	1



PL-58168

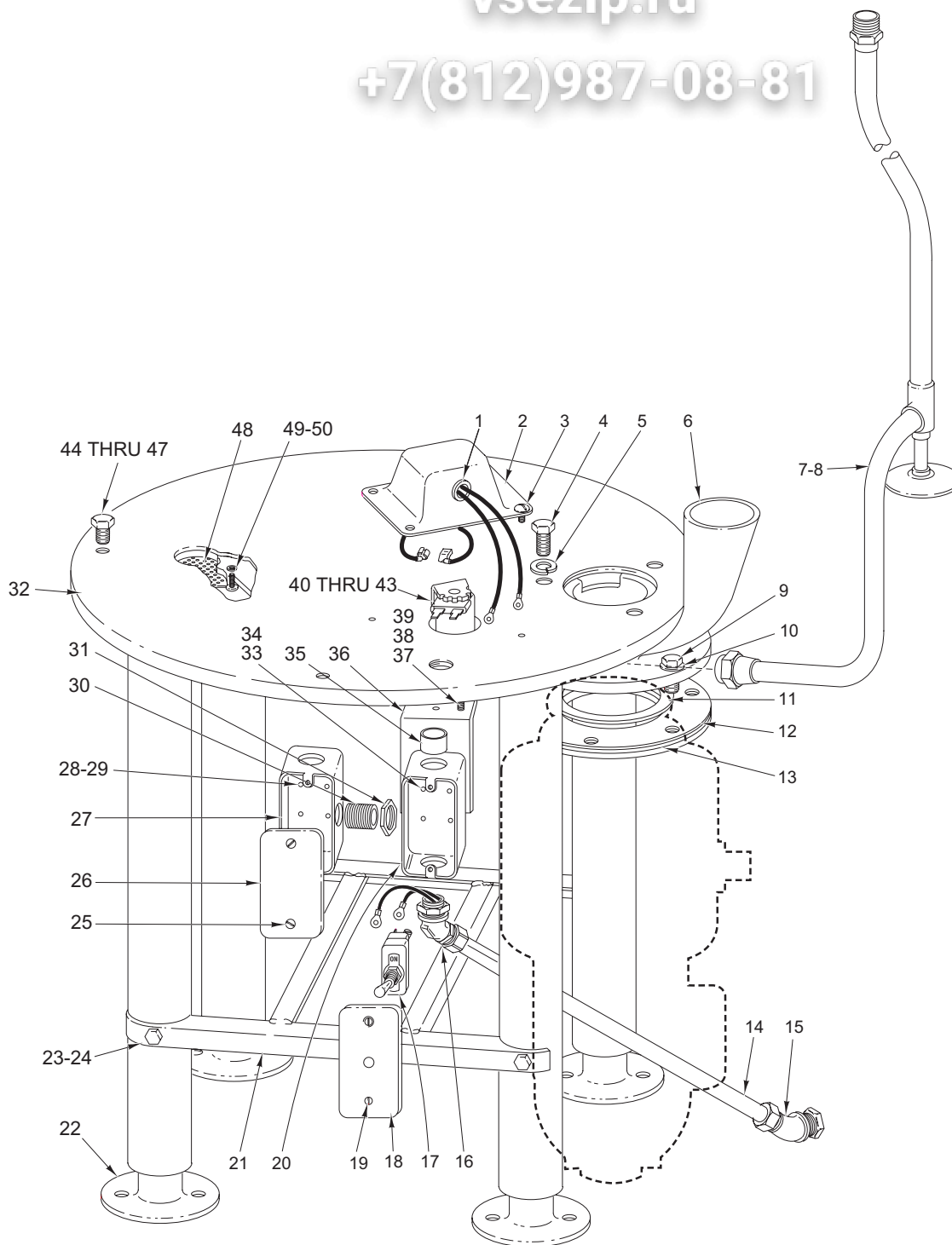
PEEL TRAP UNIT

vsezip.ru

+7(812)987-08-81

PEEL TRAP UNIT

ILLUS.	PART NO.	NAME OF PART	AMT.
PL-58168			
1	00-077938-00001	Peel Trap Assy. (6430).....	1
2	00-077938-00002	Peel Trap Assy. (6460).....	1
3	00-077963	Leg – Peel Trap	4
4	00-077990	Cover – Leg Slot.....	4
5	WS-006-44	Washer (SST).....	8
6	NS-025-16	Crown Nut 3/8-16 (SST).....	8
7	00-062601-00002	Gasket – Leg Screw	8
8	00-077620	Inside Leg Clamp Assy.	8
9	00-477152-00001	Leg – Peel Trap (W/O Caster) (6460M/6460MT).....	2
10	00-477599	Cover – Leg Slot (6460M/6460MT)	4
11	00-477152-00002	Leg – Peel Trap LH (With Caster) (6460M/6460MT).....	1
12	00-477152-00003	Leg – Peel Trap RH (With Caster) (6460M/6460MT)	1
13	00-477151	Axle – Wheel Mounting (6460M/6460MT)	2
14	WS-024-08	Washer (SST) (6460M/6460MT).....	2
15	00-477600	Caster (6460M/6460MT).....	2
16	00-477150-00001	Bracket – Wheel Mounting LH (6460M/6460MT)	1
17	00-477150-00002	Bracket – Wheel Mounting RH (6460M/6460MT).....	1
18	SC-041-10	Cap Screw 5/16-18 x 5/8 Hex Hd. (SST) (6460M/6460MT)	4
19	WL-006-22	Lockwasher 5/16 Light (SST) (6460M/6460MT)	4
20	WL-006-28	Lockwasher 3/8 (SST) (6460M/6460MT)	2
21	NS-015-13	Hex Nut 3/8-16 (SST) (6460M/6460MT)	2
22	SC-053-05	Mach. Screw 10-24 x 3/8 Slotted Truss Hd.	6
23	SC-121-34	Mach. Screw 1/4-20 x 2 Hex Button Hd. (SST) (6430C/6430CT/6460C/6460CT).....	6
24	00-526407	Adhesive.....	AR
25	NS-031-15	Stop Nut 10-24 Elastic (SST).....	4
26	00-111303-00002	Handle – Strainer Door (Previous Construction)	1
27	00-078080-00001	Strainer Door & Support (6430) (Previous Construction)	1
28	00-078080-00002	Strainer Door & Support (6460) (Previous Construction)	1
29	00-478486	Handle – Strainer Door (Current Construction)	1
30	00-478484-00001	Strainer Door & Support (6430) (Current Construction)	1
31	00-478484-00002	Strainer Door & Support (6460) (Current Construction)	1
32	00-478490-00001	Basket – Peel Trap Strainer Assy. (6430 Series).....	1
33	00-478490-00002	Basket – Peel Trap Strainer Assy. (6460 Series).....	1
34	SC-113-18	Mach. Screw 5/16-18 x 1 1/4 Hex Hd. (SST).....	4
35	WL-006-22	Lockwasher 5/16 Light (SST).....	4
36	WS-017-08	Washer (SST).....	4
37	NS-018-06	Hex Jam Nut 5/16-18 (SST).....	4
38	NS-015-11	Hex Nut 5/16-18 (SST).....	4
39	NS-011-18	Hex Nut 10-24 (SST)	3
40	WL-006-07	Lockwasher #10 Medium (SST)	3
41	00-079414	Disc – Cover	6
42	SC-021-23	Mach. Screw 10-24 x 1/2 Hex Hd. ESNA (SST).....	3
	00-290581	Leg Pack (Set of 2 Legs) (Incls. Items 3 & 4) (6460).....	2
	00-477608	Leg Pack (Set of 2 Legs) (Incls. Items 9 thru 12) (6460M).....	2



PL-58169

**DISPOSER STAND UNIT
(1 PHASE)**

DISPOSER STAND UNIT-08-81
(1 PHASE)

ILLUS. PL-58169	PART NO.	NAME OF PART	AMT.
1	00-080369	Bushing – Snap	1
2	00-081411	Cover – Fill Valve	1
3	SD-034-59	Self-Tapping Screw 10-32 x 3/8 Phil. Pan Hd., Type T	2
4	SC-062-42	Cap Screw 3/8-16 x 1 Hex Hd.	3
5	WL-004-04	Lockwasher 3/8 Light	3
6	00-078527	Flange – Disposer	1
7	00-078580-00001	Water Inlet Tubing Assy. (6430)	1
8	00-078580-00002	Water Inlet Tubing Assy. (6460)	1
9	SC-037-75	Cap Screw 5/16-18 x 3/4 Hex Hd.	6
10	WL-003-41	Lockwasher 5/16 Light	6
*11	00-080925	Gasket – Sink Flange	1
12	00-080288	Gasket – Adapter Plate	1
13	00-116852-00004	Ring – Adapter	1
14	00-068190-00025	Conduit – 3/8 x 16 (Waterproof)	1
15	FE-007-02	Connector 45 Deg. Sealtite (1/2 Male Thd. x 3/8 Flex. Cnd.)	1
16	FE-007-02	Connector 45 Deg. Sealtite (1/2 Male Thd. x 3/8 Flex. Cnd.)	1
17	00-087711-145-1	Switch – Toggle (With Nuts)	1
18	FE-022-38	Cover – Junction Box	1
19	SC-015-20	Mach. Screw 8-32 x 3/8 Slotted Oval Hd.	2
20	FE-003-19	Box – Junction	1
21	00-290525	Leg Support Assy.	1
22	00-290926	Foot – Adjustable	4
23	SC-041-12	Cap Screw 5/16-18 x 7/8 Hex Hd.	4
24	00-080283	Rivnut 5/16-18	4
25	SC-015-20	Mach. Screw 8-32 x 3/8 Oval Hd.	2
26	FE-004-24	Cover – Junction Box	1
27	FE-003-19	Box – Junction	1
28	SC-018-20	Mach. Screw 10-24 x 1/2 Slotted Pan Hd.	1
29	WL-014-07	Lockwasher #10 External (SST)	1
30	FE-005-02	Conduit 1/2 x 1 1/8 (RTFL)	1
31	FE-006-07	Lock Nut 1/2 (Cnd.)	4
32	00-290520	Top & Leg Assy. (Incls. Items 21, 23, & 24)	1
33	SC-010-50	Mach. Screw 10-24 x 5/16 Slotted Truss Hd.	2
34	WL-003-20	Lockwasher #10 Light	2
35	00-124317	Bushing – Insulating	1
36	00-078579	Bracket – Switch	1
37	SC-010-50	Mach. Screw 10-24 x 5/16 Slotted Truss Hd.	2
38	WL-003-20	Lockwasher #10 Light	2
39	WS-019-06	Washer (SST)	2
40	00-438812-00001	Fill Valve Assy. (115 V.)	1
41	00-438812-00002	Fill Valve Assy. (240 V.)	1
42	SC-010-50	Mach. Screw 10-24 x 5/16 Slotted Truss Hd.	2
43	WL-003-20	Lockwasher #10 Light	2
44	SC-041-15	Cap Screw 5/16-18 x 1 1/4 Hex Hd. (SST)	4
45	WL-006-22	Lockwasher 5/16 Light (SST)	4
46	NS-018-06	Jam Nut 5/16-18 Hex (SST)	4
47	NS-015-11	Hex Nut 5/16-18 (SST)	4
48	00-078815	Screen – Air	1
49	SC-081-71	Mach. Screw 1/4-20 x 1/4 Slotted Rd. Hd.	4
50	WS-003-49	Washer (SST)	4

*See PIPS service obligation report 07/30/00.

Вит Общепит

vsezip.ru

+7(812)987-08-81