

Зип Общепит

vsezip.ru

---

DESPIECE TECNICO / SPARE PARTS BOM

---

+7(812)987-08-81

**Freidoras  
Friteuses  
Fryers  
Friggitrici  
Fritadeiras  
Fritteusen**

**GAMA SNACK**

**Modelos / Models:**

**FE-4**

**FE-6**

**FE-8**

***Junio 2010 June***

***Revisado Enero 2015 January Revised***



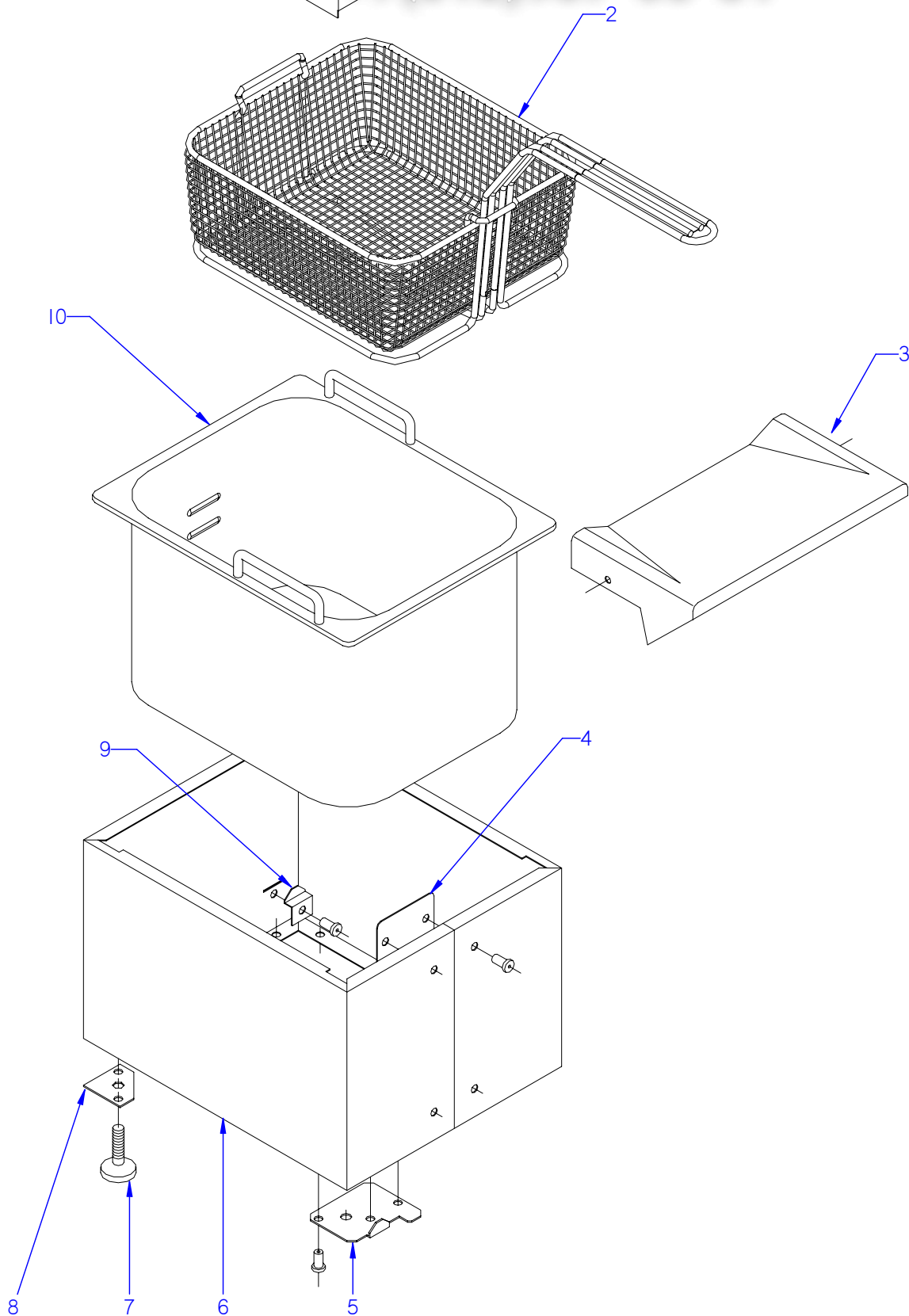
---

F A G O R I N D U S T R I A L

Зип Общепит

vsezip.ru

+7(812)987-08-81



ITEM MARCADO EN COLOR = REPUESTO RECOMENDADO  
COLOURED ITEM = RECOMMENDED SPARE PART

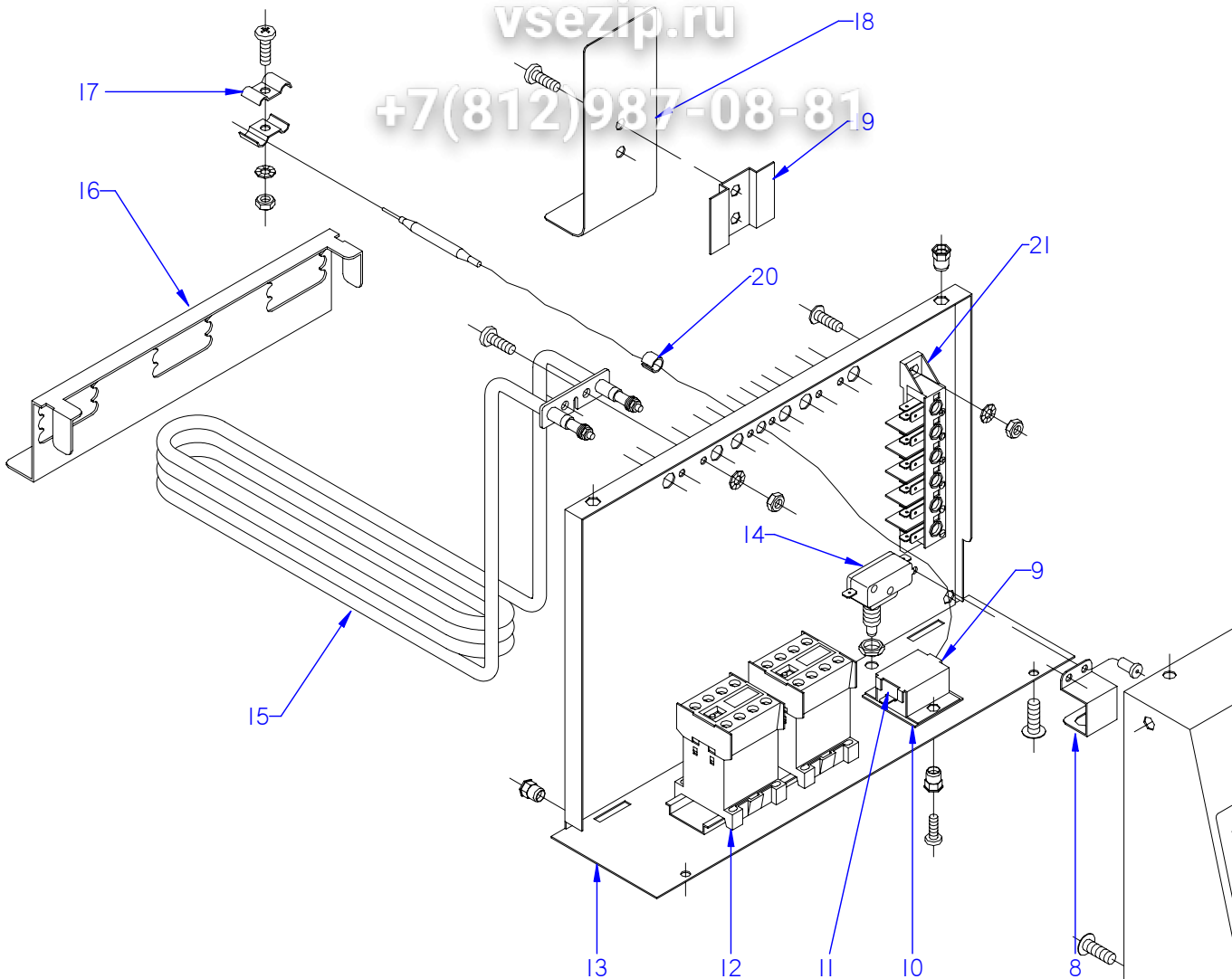
|         |                    |         |                              |             |        |                                       |
|---------|--------------------|---------|------------------------------|-------------|--------|---------------------------------------|
| N plano | Firma              | Fecha   | Aparato                      | CUBA / TANK | Lamina | Fagor Industrial S.Coop. <b>FAGOR</b> |
| C-2671  | <i>(Signature)</i> | 2010-06 | FREIDORAS FE-4 / FE-6 / FE-8 |             | 1      | Oñate                                 |

| MOD. |             | FREIDORAS / FRYERS      | ZONA / ZONE               | MUEBLE / FITTING |      |      |  |  |
|------|-------------|-------------------------|---------------------------|------------------|------|------|--|--|
| ITEM | CODIGO CODE | DENOMINACION            | NAME                      | FE-4             | FE-6 | FE-8 |  |  |
| 1    | X352825000  | TAPA COMPLETA FE-4      | COMPLETE COVER FE-4       | 1                | -    | -    |  |  |
| 1    | X362820000  | TAPA COMPLETA FE-6      | COMPLETE COVER FE-6       | -                | 1    | -    |  |  |
| 1    | X372820000  | TAPA COMPLETA FE-8      | COMPLETE COVER FE-8       | -                | -    | 1    |  |  |
| 2    | X356506000  | CESTILLO 4 LTS          | BASKET 4 LTS              | 1                | -    | 2    |  |  |
| 2    | X366506000  | CESTILLO 6 LTS          | BASKET 6 LTS              | -                | 1    | -    |  |  |
| 2    | X376503000  | CESTILLO 8 LTS          | BASKET 8 LTS              | -                | -    | 1    |  |  |
| 3    | X352808000  | ENCIMERA FRONTAL FE-4   | FRONT WORKTOP FE-4        | 1                | -    | -    |  |  |
| 3    | X362808000  | ENCIMERA FRONTAL FE-6   | FRONT WORKTOP FE-6        | -                | 1    | -    |  |  |
| 3    | X372808000  | ENCIMERA FRONTAL FE-8   | FRONT WORKTOP FE-8        | -                | -    | 1    |  |  |
| 4    | X352803000  | REFUERZO CUERPO         | BODY REINFORCEMENT        | 1                | 1    | 1    |  |  |
| 5    | X352833000  | SOPORTE MICRO IZQUIERDO | LEFT MICRO BRACKET        | 1                | 1    | 1    |  |  |
| S/Nº | X352831000  | SOPORTE MICRO DERECHO   | RIGHT MICRO BRACKET       | 1                | 1    | 1    |  |  |
|      | Q221345000  | REMACHE EXAGONAL M-10   | HEXAGONAL RIVET M-10      | 4                | 4    | 4    |  |  |
| 6    | X352801000  | CUERPO FE-4             | BODY FE-4                 | 1                | -    | -    |  |  |
| 6    | X362801000  | CUERPO FE-6             | BODY FE-6                 | -                | 1    | -    |  |  |
| 6    | X372801000  | CUERPO FE-8             | BODY FE-8                 | -                | -    | 1    |  |  |
|      | Q419005000  | REMACHE TUBULAR Ø 4X8   | TUBULAR RIVET Ø 4X8       | 16               | 16   | 16   |  |  |
| 7    | Z200107000  | PATA REGULABLE          | ADJUSTABLE LEG            | 4                | 4    | 4    |  |  |
| 8    | X352832000  | ESCUADRA PATA           | LEG BRACKET               | 2                | 2    | 2    |  |  |
| 9    | X352802000  | SOPORTE TAPA            | LID SUPPORT               | 2                | 2    | 2    |  |  |
| 10   | X356101000  | CUBETA GASTRONORM 1/3   | GASTRONORM 1/3 CONTAINERS | 1                | -    | -    |  |  |
| 10   | X366101000  | CUBETA GASTRONORM 1/2   | GASTRONORM 1/2 CONTAINERS | -                | 1    | -    |  |  |
| 10   | X376101000  | CUBETA GASTRONORM 2/3   | GASTRONORM 2/3 CONTAINERS | -                | -    | 1    |  |  |
|      |             |                         |                           |                  |      |      |  |  |
|      |             |                         |                           |                  |      |      |  |  |
|      |             |                         |                           |                  |      |      |  |  |
|      |             |                         |                           |                  |      |      |  |  |
|      |             |                         |                           |                  |      |      |  |  |
|      |             |                         |                           |                  |      |      |  |  |
|      |             |                         |                           |                  |      |      |  |  |
|      |             |                         |                           |                  |      |      |  |  |
|      |             |                         |                           |                  |      |      |  |  |

Зип Общепит

vsezip.ru

+7(812)987-08-81



|                 |   |
|-----------------|---|
| N plano         | C-2672  |
| Firma           |   |
| Fecha           | 2010-06   |
| Aparato         | FREIDORAS FE-4 / FE-6 / FE-8                          |
| Lamina          | 2   |
| Parte Funcional | PARTE FUNCIONAL ELECTRICA / ELECTRICOS FUNCIONAL PART |
| Oríete          | Fagor Industrial S. Coop.                             |

ITEM MARCADO EN COLOR = REPUESTO RECOMENDADO  
COLOURED ITEM = RECOMMENDED SPARE PART

| MOD. |                | FREIDORAS / FRYERS            |                               | ZONA / ZONE |      | PARTE FUNCIONAL ELECTRICA<br>ELECTRICS FUNCTIONAL PART |  |  |
|------|----------------|-------------------------------|-------------------------------|-------------|------|--|--|--|
| ITEM | CODIGO<br>CODE | DENOMINACION                  | NAME                          | FE-4        | FE-6 | FE-8   |  |  |
| 1    | X353403000     | PANEL FRONTAL FE-4            | FRONT PANEL FE-4              | 1           |      |  |  |  |
| 1    | X363401000     | PANEL FRONTAL FE-6            | FRONT PANEL FE-6              |             | 1    |  |  |  |
| 1    | X373401000     | PANEL FRONTAL FE-8 /9 /18     | FRONT PANEL FE-8 /9 /18       |             |      | 1  |  |  |
| 2    | X352820000     | EMBELLECEDOR ADHESIVO         | ADHESIVE TRIM                 | 1           |      |  |  |  |
| 2    | X362815000     | EMBELLECEDOR ADHESIVO         | ADHESIVE TRIM                 |             | 1    |  |  |  |
| 2    | X372815000     | EMBELLECEDOR ADHESIVO         | ADHESIVE TRIM                 |             |      | 1  |  |  |
| 3    | X033000000     | TERMOSTATO 60 - 200° C.       | THERMOSTAT 60 - 200° C.       | 1           | 1    | 1  |  |  |
| 4    | R663062000     | BOTON DE MANDO Ø6             | CONTROL BUTTON Ø6             | 1           | 1    | 1  |  |  |
|      | Z203007000     | CASQUILLO DISTANCIADOR        | SPACER SLEEVE                 | 2           | 2    | 2  |  |  |
|      | Q041323000     | TORNILLO AVELLANADO M-4X20    | COUNTERSUNK SCREWS M-4X20     | 2           | 2    | 2  |  |  |
| 5    | R693055000     | PILOTO VERDE                  | GREEN PILOT LIGHT             | 1           | 1    | 1  |  |  |
| 5    | 12047390       | PILOTO VERDE 230V AC 8KW 16MM | GREEN PILOT 230V AC 8KW 16MM  | 1           | 1    |  |  |  |
| 6    | R693056000     | PILOTO AMBAR                  | AMBAR PILOT                   | 1           | 1    | 1  |  |  |
| 6    | 12024669       | PILOTO AMBAR Ø18              | AMBER PILOT Ø18               | 1           | 1    |  |  |  |
| 7    | Z853001000     | INTERRUPTOR GENERAL           | POWER SWITCH                  | 1           | 1    | 1  |  |  |
| 8    | X363020000     | SOPORTE MICRO                 | MICRO BRACKET                 | 1           | 1    | 1  |  |  |
| 8    | 12043539       | SOPORTE MICRO                 | MICRO BRACKET                 | 1           | 1    | 1  |  |  |
|      | Q419005000     | REMACHE TUBULAR Ø4X8          | TUBULAR RIVET Ø4X8            | 2           | 2    | 2  |  |  |
| 9    | X353007000     | SOPORTE TERMOST. SEGURIDAD    | THERMOSTAT SUPPORT SAFETY     | 1           | 1    | 1  |  |  |
|      | Q221341000     | REMACHE EXAGONAL M-4          | HEXAGONAL RIVET M-4           | 2           | 2    | 2  |  |  |
|      | Q032021000     | TORNILLO ALOMADO M-4X10       | CURVED SCREW M-4x10           | 2           | 2    | 2  |  |  |
| 10   | X353015000     | PLACA AISLANTE                | INSULATION PLATE              | 1           | 1    | 1  |  |  |
| 11   | X033001000     | TERMOSTATO DE SEGURIDAD       | SAFETY THERMOSTAT             | 1           | 1    | 1  |  |  |
| 11   | 12044749       | TERMOSTATO DE SEGURIDAD       | SAFETY THERMOSTAT             | 1           | 1    | 1  |  |  |
| 12   | Z203050000     | CONTAC. SIRIUS 3R 230V.50-60  | CONTACT. SIRIUS 3R 230V.50-60 |             | 2    | 2  |  |  |
|      | R663055000     | GUIA CONTACTOR L=120          | CONTACTOR GUIDE L=120         |             | 1    | 1  |  |  |
| 13   | X353004000     | CUADRO ELECTRICO FE-4         | SWITCHBOARD FE-4              | 1           |      |  |  |  |
| 13   | X363004000     | CUADRO ELECTRICO FE-6         | SWITCHBOARD FE-6              |             | 1    |  |  |  |
| 13   | X373004000     | CUADRO ELECTRICO FE-8         | SWITCHBOARD FE-8              |             |      | 1  |  |  |
| 14   | X343015000     | MICRORRUPTOR 32280001         | MICROSWITCH 32280001          | 1           | 1    | 1  |  |  |
| 14   | X022138000     | MICRORRUPTOR 250VAC 16A VDE   | MICROSWITCH 250V AC16A VDE    | 1           | 1    | 1  |  |  |

# Зип Общепит

| MOD. |             | FREIDORAS / FRYERS            |                            | ZONA / ZONE |      | PARTE FUNCIONAL ELECTRICA |  | ELECTRICS FUNCTIONAL PART |  |
|------|-------------|-------------------------------|----------------------------|-------------|------|---------------------------|--|---------------------------|--|
| ITEM | CODIGO CODE | DENOMINACION                  | NAME                       | FE-4        | FE-6 | FE-8                      |  |                           |  |
| 15   | X353024000  | RESISTENCIA 3000 W.,230 V.    | RESISTOR 3000 V., 230 V    | 1           |      |                           |  |                           |  |
| 15   | X363023000  | RESISTENCIA 1500W 230V FE-6-7 | RESISTOR 500W 230V FE-6-7  |             | 3    |                           |  |                           |  |
| 15   | X373022000  | RESISTENCIA 2000W 230V FE-8-9 | RESISTOR 2000W 230V FE-8-9 |             |      | 3                         |  |                           |  |
| 16   | X353030000  | SEPARADOR RESISTENCIAS FE-4   | RESISTOR DIVIDER FE-4      | 1           |      |                           |  |                           |  |
| 16   | X363030000  | SEPARADOR RESISTENCIAS FE-6   | RESISTOR DIVIDER FE-6      |             | 1    |                           |  |                           |  |
| 16   | X373030000  | SEPARADOR RESISTENCIAS FE-8   | RESISTOR DIVIDER FE-8      |             |      | 1                         |  |                           |  |
| 17   | X033011000  | BRIDA SUJECION BULBO          | BULB FASTENING FLANGE      | 2           | 2    | 2                         |  |                           |  |
|      | Q162020000  | TUERCA EXAGONAL M-4           | HEXAGONAL NUT M-4          | 2           | 2    | 2                         |  |                           |  |
|      | Q242020000  | ARANDELA ABANICO A-4          | FAN WASHER A-4             | 2           | 2    | 2                         |  |                           |  |
|      | Q032021000  | TORNILLO ALOMADO M-4X10       | CURVED SCREW M-4x10        | 1           | 1    | 1                         |  |                           |  |
| 18   | X353008000  | PROTECTOR RESISTENCIAS        | RESISTOR PROTECTOR         | 2           | 2    | 2                         |  |                           |  |
|      | Q032021000  | TORNILLO ALOMADO M-4X10       | CURVED SCREW M-4x10        | 1           | 1    | 1                         |  |                           |  |
| 19   | X353010000  | AMARRE PROTECTOR              | PROTECTOR FASTENING        | 1           | 1    | 1                         |  |                           |  |
| 20   | X033014000  | ANILLO 10288                  | RING 10288                 | 1           | 1    | 1                         |  |                           |  |
| 21   | U183046000  | REGLETA AUXILIAR              | AUXILIARY TERMINAL STRIP   | 1           |      |                           |  |                           |  |
| 21   | R253044000  | REGLETA AUXILIAR              | AUXILIARY TERMINAL STRIP   |             | 1    | 1                         |  |                           |  |
| S/Nº | 12040852    | BRIDA SUJECCION CAPILAR FE    | HAIR FIXING FLANGE FE      | 2           | 2    | 2                         |  |                           |  |
|      |             |                               |                            |             |      |                           |  |                           |  |
|      |             |                               |                            |             |      |                           |  |                           |  |
|      |             |                               |                            |             |      |                           |  |                           |  |
|      |             |                               |                            |             |      |                           |  |                           |  |
|      |             |                               |                            |             |      |                           |  |                           |  |
|      |             |                               |                            |             |      |                           |  |                           |  |
|      |             |                               |                            |             |      |                           |  |                           |  |
|      |             |                               |                            |             |      |                           |  |                           |  |
|      |             |                               |                            |             |      |                           |  |                           |  |
|      |             |                               |                            |             |      |                           |  |                           |  |
|      |             |                               |                            |             |      |                           |  |                           |  |
|      |             |                               |                            |             |      |                           |  |                           |  |
|      |             |                               |                            |             |      |                           |  |                           |  |

+7(812)987-08-81

| MOD. | FREIDORAS / FRYERS | ZONA / ZONE                | VARIOS / MISCELLANEOUS     |      |      |      |  |  |
|------|--------------------|----------------------------|----------------------------|------|------|------|--|--|
| ITEM | CODIGO CODE        | DENOMINACION               | NAME                       | FE-4 | FE-6 | FE-8 |  |  |
|      | X356503000         | FOLLETO DE INSTRUCCIONES   | INSTRUCTION LEAFLET        | 1    | 1    | 1    |  |  |
|      | X353013000         | ESQUEMA FE-4               | DIAGRAM FE-4               | 1    | -    | -    |  |  |
|      | X363015000         | ESQUEMA FE-6-8-18-25       | DIAGRAM FE-6-8-18-25       | -    | 1    | 1    |  |  |
|      | X353001000         | ESQUEMA ELECTRICO MONTAJE  | ELECTRICAL ASSEMBLY DIAGRA | 1    | -    | -    |  |  |
|      | X363003000         | ESQUEMA ELECTRICO MONTAJE  | ELECTRICAL ASSEMBLY DIAGRA | -    | 1    | 1    |  |  |
|      | X353009000         | CABLEADO PORTAMANDOS       | CONTROL HOLDER WIRING      | 1    | -    | -    |  |  |
|      | X373007000         | CABLEADO PORTAMANDOS       | CONTROL HOLDER WIRING      | -    | 1    | 1    |  |  |
|      | X373008000         | CABLEADO REGLETA CONTACT.  | CONTACT. CONTROL WIRING    | -    | 2    | 2    |  |  |
|      | X373009000         | CABLEADO CONTACTOR-RESIST  | RESIST.- CONTACTOR WIRING  | -    | 2    | 2    |  |  |
|      | Z603041000         | CABLE DE ALIMENTACION      | POWER WIRING               | 1    | -    | -    |  |  |
|      | X363016000         | CABLE MANGUERA 5X1,5 FE-6  | HOSE CABLE 5X1,5 FE-6      | -    | 1    | -    |  |  |
|      | X363018000         | CABLE MANGUERA 3 x2,5 FE-6 | HOSE CABLE 3 x2,5 FE-6     | -    | 1    | -    |  |  |
|      | X363017000         | CABLE MANGUERA 5X2,5 FE-8  | HOSE CABLE 5X2,5 FE-8      | -    | -    | 1    |  |  |
|      | X363019000         | CABLE MANGUERA 3x4 FE-8    | HOSE CABLE 3x4 FE-8 FE-8   | -    | -    | 1    |  |  |
|      |                    |                            |                            |      |      |      |  |  |
|      |                    |                            |                            |      |      |      |  |  |
|      |                    |                            |                            |      |      |      |  |  |
|      |                    |                            |                            |      |      |      |  |  |
|      |                    |                            |                            |      |      |      |  |  |
|      |                    |                            |                            |      |      |      |  |  |
|      |                    |                            |                            |      |      |      |  |  |
|      |                    |                            |                            |      |      |      |  |  |
|      |                    |                            |                            |      |      |      |  |  |
|      |                    |                            |                            |      |      |      |  |  |
|      |                    |                            |                            |      |      |      |  |  |
|      |                    |                            |                            |      |      |      |  |  |
|      |                    |                            |                            |      |      |      |  |  |
|      |                    |                            |                            |      |      |      |  |  |
|      |                    |                            |                            |      |      |      |  |  |
|      |                    |                            |                            |      |      |      |  |  |
|      |                    |                            |                            |      |      |      |  |  |
|      |                    |                            |                            |      |      |      |  |  |
|      |                    |                            |                            |      |      |      |  |  |

# Зип Общепит

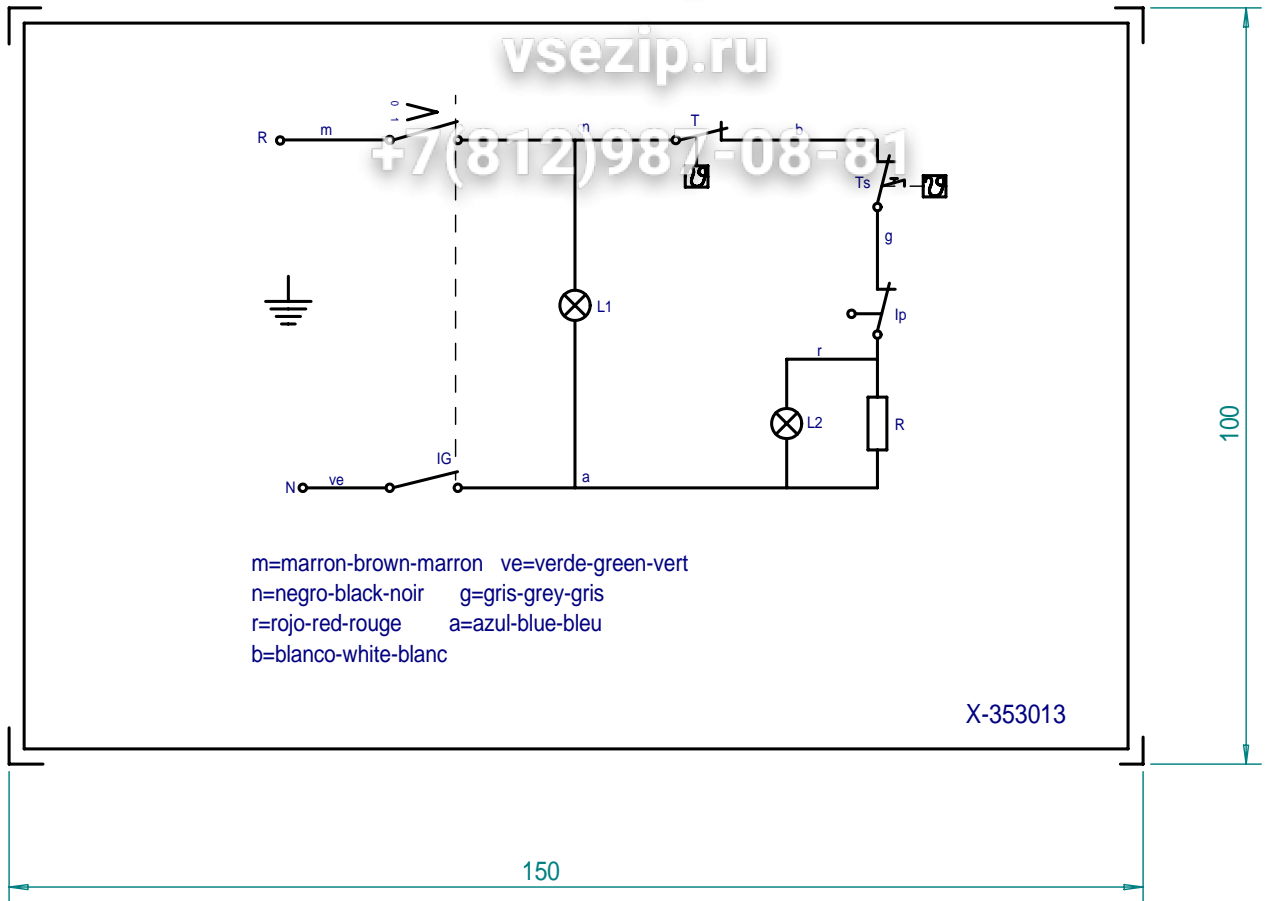
| MOD. | FREIDORAS / FRYERS | ZONA / ZONE                   | REPUESTOS RECOMENDADOS<br>RECOMMENDED SPARE PART |      |      |      |  |  |
|------|--------------------|-------------------------------|--|------|------|------|--|--|
| ITEM | CODIGO<br>CODE     | DENOMINACION                  | NAME   | FE-4 | FE-6 | FE-8 |  |  |
| 3    | X033000000         | TERMOSTATO 60 - 200° C.       | THERMOSTAT 60 - 200° C.                          | 1    | 1    | 1    |  |  |
| 5    | 12047390           | PILOTO VERDE 230V AC 8KW 16MM | GREEN PILOT 230V AC 8KW 16MM                     | 1    | 1    |      |  |  |
| 6    | 12024669           | PILOTO AMBAR Ø18              | AMBER PILOT Ø18                                  | 1    | 1    |      |  |  |
| 7    | Z853001000         | INTERRUPTOR GENERAL           | POWER SWITCH                                     | 1    | 1    | 1    |  |  |
| 11   | 12044749           | TERMOSTATO DE SEGURIDAD       | SAFETY THERMOSTAT                                | 1    | 1    | 1    |  |  |
| 14   | X022138000         | MICRORRUPTOR 250VAC 16A VDE   | MICROSWITCH 250V AC16A VDE                       | 1    | 1    | 1    |  |  |
| 15   | X353024000         | RESISTENCIA 3000 W.,230 V.    | RESISTOR 3000 W., 230 V                          | 1    | —    | —    |  |  |
| 15   | X363023000         | RESISTENCIA 1500W 230V FE-6-7 | RESISTOR 500W 230V FE-6-7                        | —    | 3    | —    |  |  |
| 15   | X373022000         | RESISTENCIA 2000W 230V FE-8-9 | RESISTOR 2000W 230V FE-8-9                       | —    | —    | 3    |  |  |
|      |                    |                               |  |      |      |      |  |  |
|      |                    |                               |  |      |      |      |  |  |
|      |                    |                               |  |      |      |      |  |  |
|      |                    |                               |  |      |      |      |  |  |
|      |                    |                               |  |      |      |      |  |  |
|      |                    |                               |  |      |      |      |  |  |
|      |                    |                               |  |      |      |      |  |  |
|      |                    |                               |  |      |      |      |  |  |
|      |                    |                               |  |      |      |      |  |  |
|      |                    |                               |  |      |      |      |  |  |
|      |                    |                               |  |      |      |      |  |  |
|      |                    |                               |  |      |      |      |  |  |
|      |                    |                               |  |      |      |      |  |  |
|      |                    |                               |  |      |      |      |  |  |
|      |                    |                               |  |      |      |      |  |  |
|      |                    |                               |  |      |      |      |  |  |
|      |                    |                               |  |      |      |      |  |  |



# Зип Общепит

vsezip.ru

+7(812)987-08-81




m=marron-brown-marron ve=verde-green-vert  
 n=negro-black-noir g=gris-grey-gris  
 r=rojo-red-rouge a=azul-blue-bleu  
 b=blanco-white-blanc

X-353013

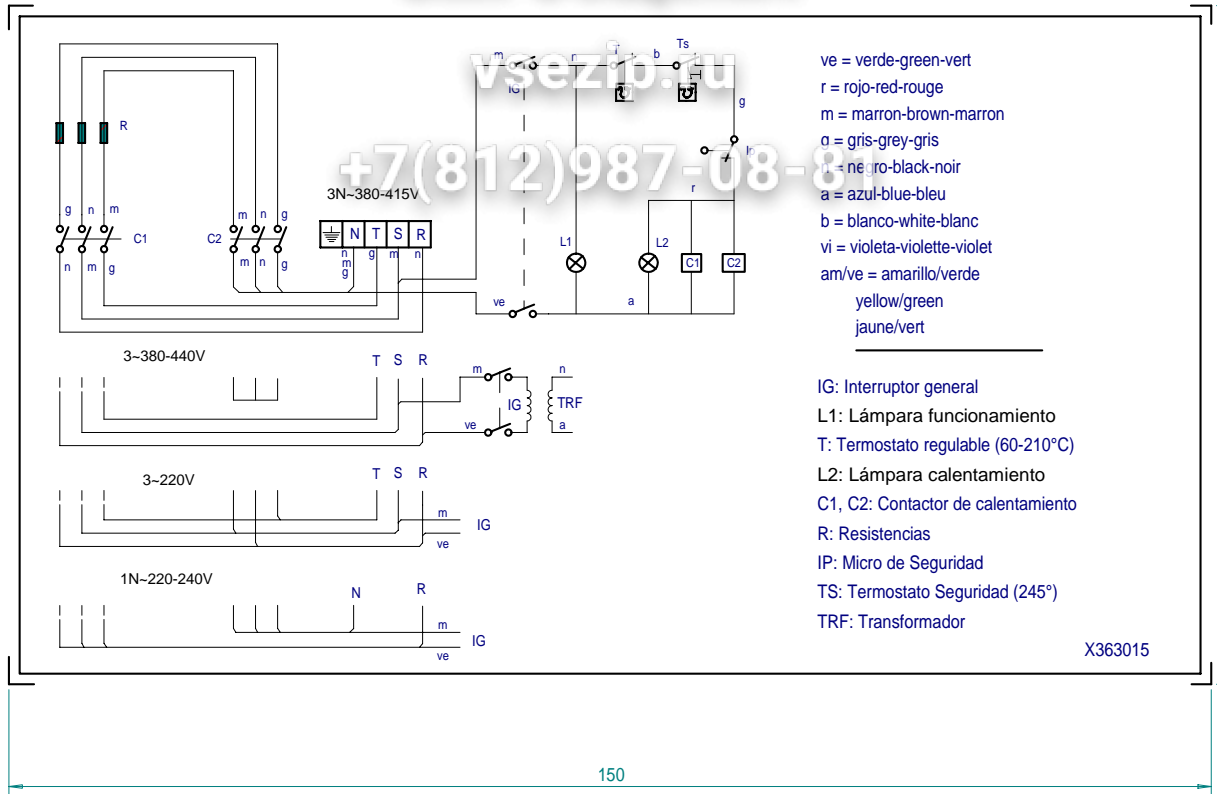
**NOTA:** - LAS INSCRIPCIONES RESISTIRAN SIN MODIFICACION APRECIABLE, EL FROTAMIENTO DURANTE 15 SEG. DE UN ALGODON EMPAPADO EN GASOLINA.

IG = Interruptor general  
 L1 = Lampara funcionamiento  
 T = Termostato regulable (60-220C)  
 Ts = Limitador (245)  
 L2 = Lampara calentamiento  
 Ip = Micro seguridad  
 R = Resistencia

Plastico blanco alto brillo

| Esquema teorico adhesivo FI-4 |  |                  |   | X-353013         |   |
|-------------------------------|--|------------------|---|------------------|---|
| Nº                            | Pieza  | Cant.            | Material  | Nº Clasificacion | Acabado   |
| Nº                            | Modificacion   | Propuesta de     |   | Fecha            | Tolerancias generales   |
| 1                             | Eliminar indicacion temperatura  | Maillo           |   | 92-1-24          | $\leq 5\pm$ : 50-100±<br>$5-25\pm$ : > 100±<br>$25-50\pm$ : $\infty\pm$ |
| 2                             | Modif.general(pasar a fabrica.interior)                                  | Plazaola         |   | 22-4-97          |   |
|                               |  |                  |   |                  |   |
| Dibujado                      | Firma<br>JON   | Fecha<br>92-1-24 | <br>Fagor Industrial,Koop.Elk, Mugatua |                  | Mecanizado superficial  |
| Proyectado                    |  |                  |   |                  |   |
| Comprobado                    |  |                  |   |                  |   |
| Escala                        | FREIDORAS<br>Plano hau ez daiteke erabil ez berrizta gure baimenitz gabe |                  |   |                  | Plano numero<br>HB-13812 -2   |
|                               |  |                  |   |                  | Sustituye al Nº   |
|                               |  |                  |   |                  | Sustituido por  |

# Зип Общепит



## NOTA

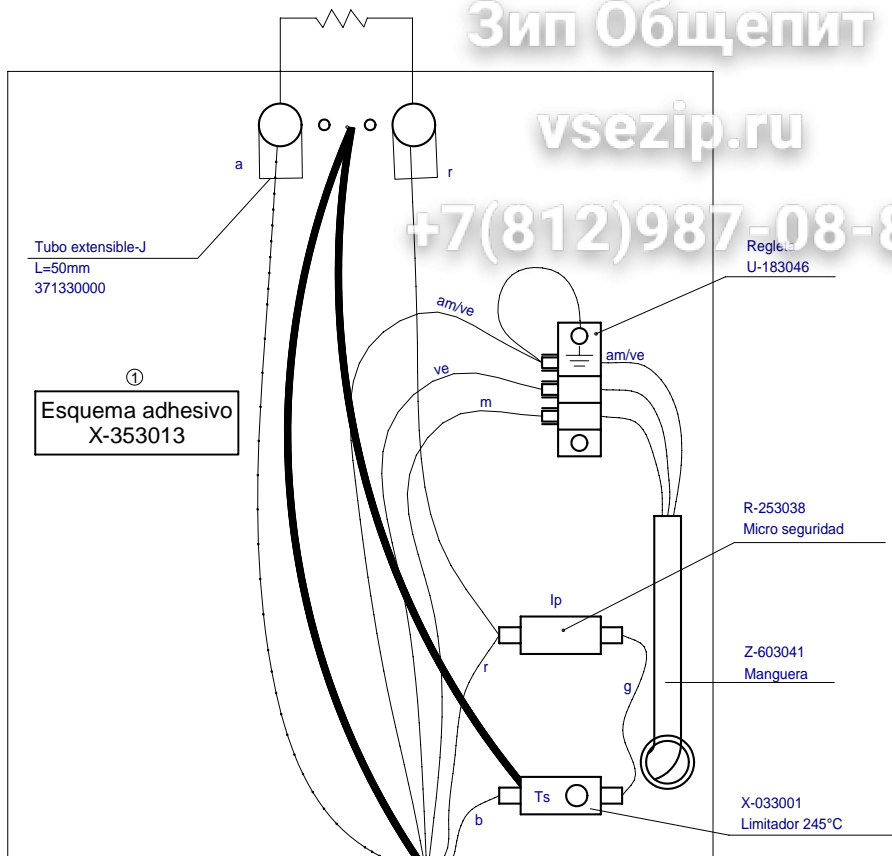
- LAS INSCRIPCIONES RESISTIRAN SIN MODIFICACION APRECIABLE, EL FROTAMIENTO DURANTE 15 seg. DE UN ALGODON EMPAPADO EN GASOLINA.

|  |   |         |
|--|---|---------|
|  | FE-710, FE-18, FE-25, FE-71/15, FE-91/20                  |         |
|  | Esquema teorico adhesivo FE-6, FE-8                       |         |
| Nº   | Pieza   |         |
| Nº   | Modificacion  |         |
| ①  | Eliminar indicacion temperatura y introducir 1N-50Hz 220V |         |
| ②  | Cambiar indicacion de tensiones                           |         |
| ③  | Modifi.general(pasar a fabric.interior)                   |         |
|  | Firma   | Fecha   |
| Dibujado                                     | JON   | 92-1-24 |
| Proyectado                                   |   |         |
| Comprobado                                   | <i>[Signature]</i>  |         |
| Escala                                       |   |         |
| Plano hau ez daitelke erabil ez berizta gure |   |         |

Зип Общепит

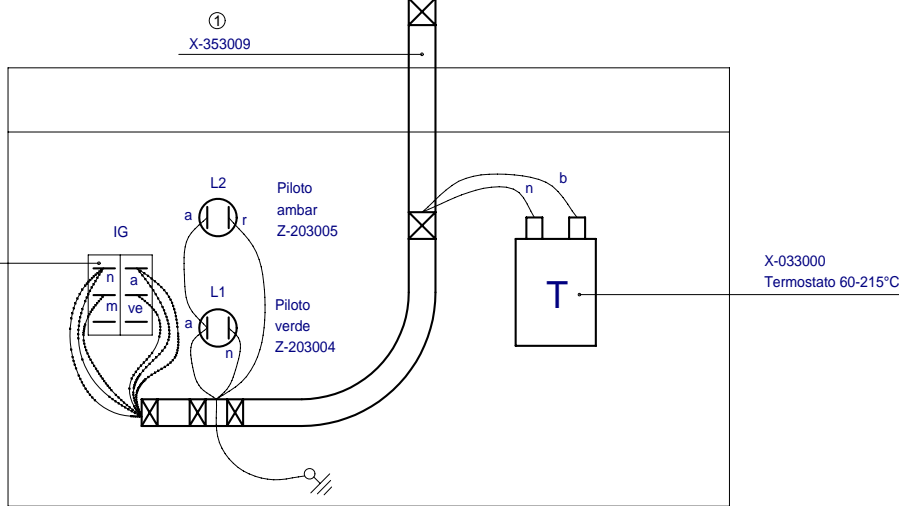
vsezip.ru

+7(812)987-08-81



Esquema adhesivo X-353013

Resistencia FE-4  
Potencia ..... 300  
Plano ..... HC-1  
220V ..... X-3530  
240V ..... X-3530



|                       |              |         |
|-----------------------|--------------|---------|
| Plano de montaje FI-4 |              |         |
| Nº                    | Pieza        |         |
| Nº                    | Modificación |         |
| ①                     | Varios       |         |
| Firma                 |              |         |
| Fecha                 |              |         |
| Dibujado              | Kontxi       | 17/4/91 |
| Proyectado            |              |         |
| Comprobado            |              |         |
| Escala                |              |         |
| 1/1                   |              |         |

Plano hau ez daiteke erabili ez berritza gure

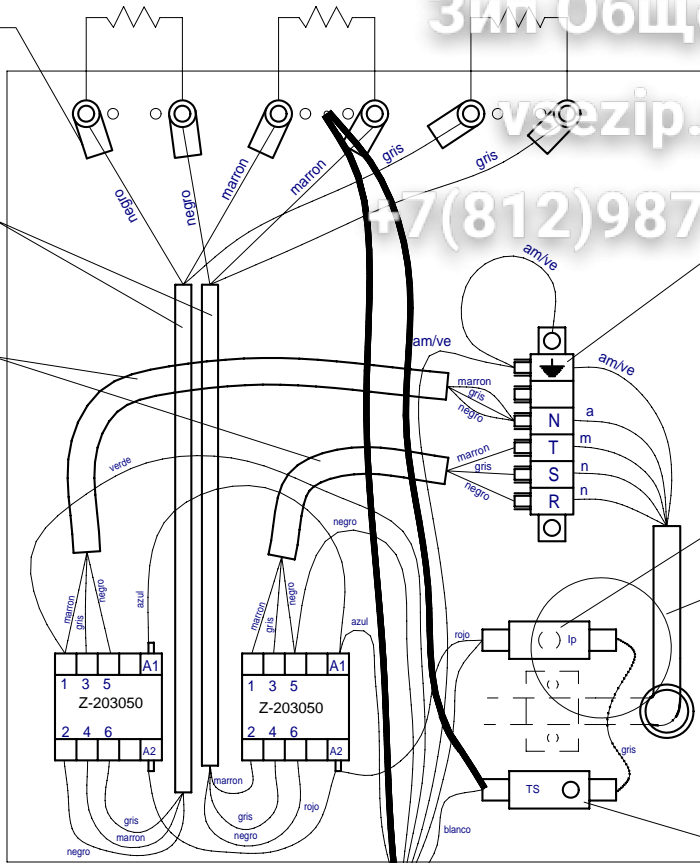
Зип-Общепит  
vsezip.ru  
+7(812)987-08-81

| RESISTENCIAS | FE-6     | FE-8     |
|--------------|----------|----------|
| Potencia     | 1500W    | 2000W    |
| Placa        | HC-13994 | HC-13985 |
| 220/380      | X-363005 | X-373005 |
| 240/415      | X-363007 | X-373010 |

Tubo extensible  
L=50mm

HB-13750  
X-373009

HB-13749  
X-373008



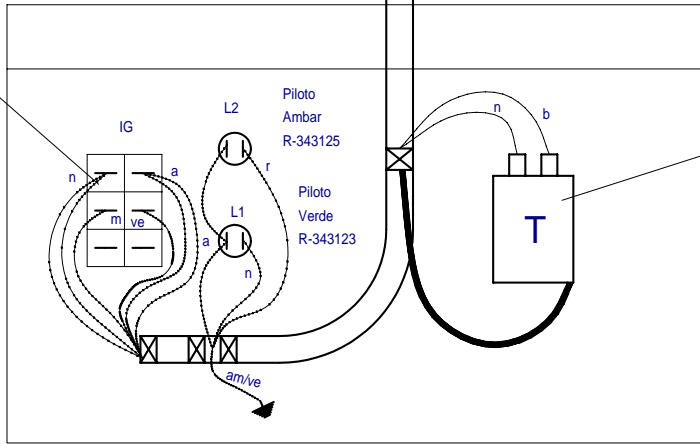
HB-12260  
R-253038  
Micro seguridad

MANGUERA  
FE-6 5x1,5mm 2  
FE-8 5x2,5mm 2

HB-13443-2  
X-033001  
LIMITADOR 235°C

HC-14003  
X-373007

INTERRUPTOR  
GENERAL  
Z-853001  
HB-16313



HC-13518-2  
X-033000  
TERMOSTATO 60-200°C

Esquema montaje FE-6/FE-8

|            |              |         |
|------------|--------------|---------|
| Nº         | Pieza        |         |
| Nº         | Modificacion |         |
|            |              |         |
|            |              |         |
|            |              |         |
|            |              |         |
|            |              |         |
|            |              |         |
| Firma      |              | Fecha   |
| Dibujado   | KONTXI       | 19/9/91 |
| Proyectado |              |         |
| Comprobado |              |         |
| Escala     |              |         |

Plano hau ez daiteke erabili ez berziza gure