

Зип Общепит

vsezip.ru

---

DESPIECE TECNICO

---

+7(812)987-08-81

**Freidoras  
Friteuses  
Fryers  
Friggitrici  
Fritadeiras  
Fritteusen**

**GAMA SNACK**

**Modelos:**

**FE-18**

**FE-25**

***Junio 2010 June***

***Revisado Julio 2013 July Revised***

**FAGOR** 

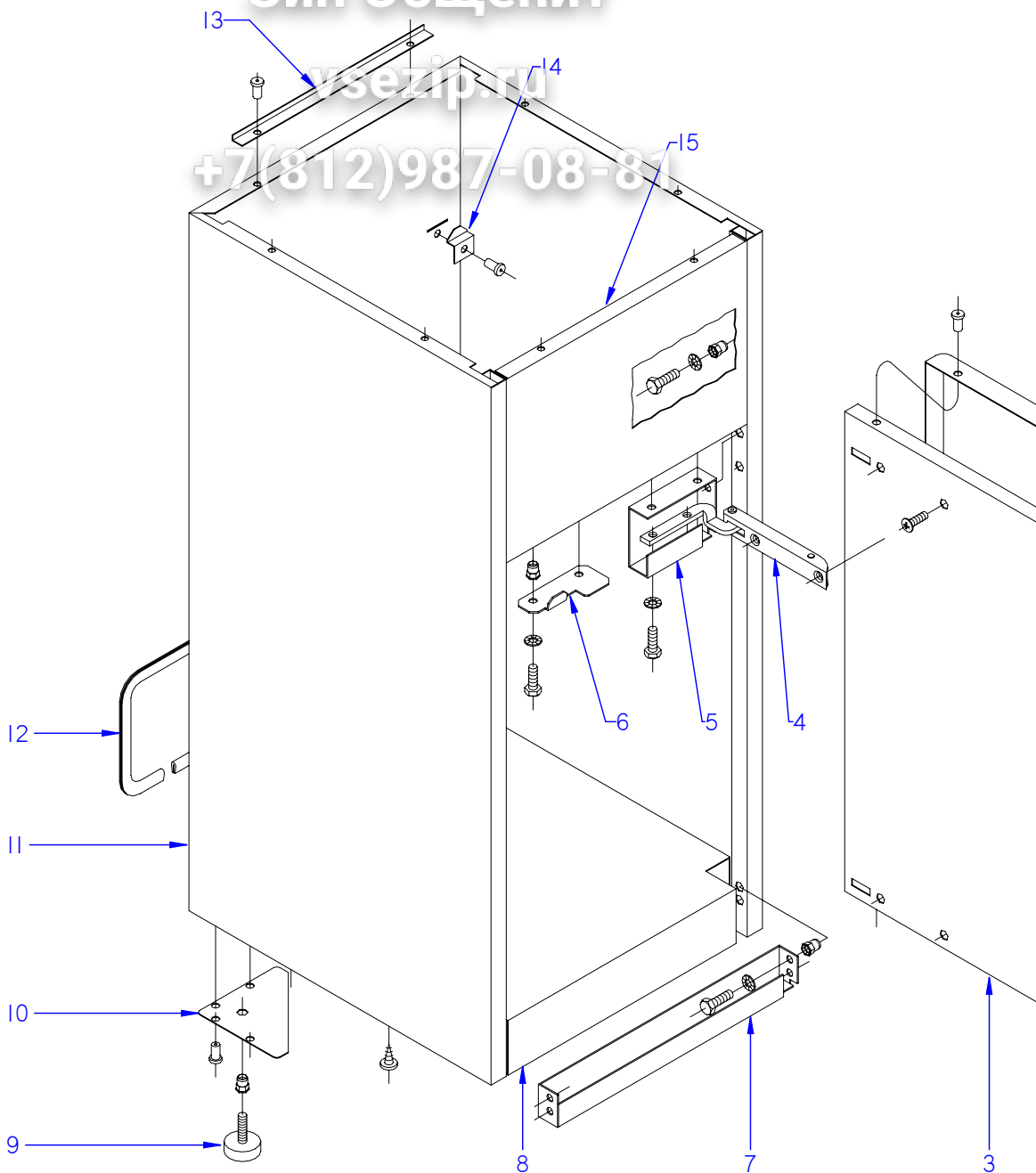
---

F A G O R I N D U S T R I A L

Зип Общепит

vsezip.ru

+7(812)987-08-81



ITEM MARCADO EN COLOR = REPUESTO RECOMENDADO  
COLOURED ITEM = RECOMMENDED SPARE PART

N plano	C-2668
Firma	
Fecha	2010-06
Aparato	FREIDORAS FE-18 / FE-25
MUEBLE / FITTING	
Lamina	1
Fagor Industrial S. Coop.	Orste

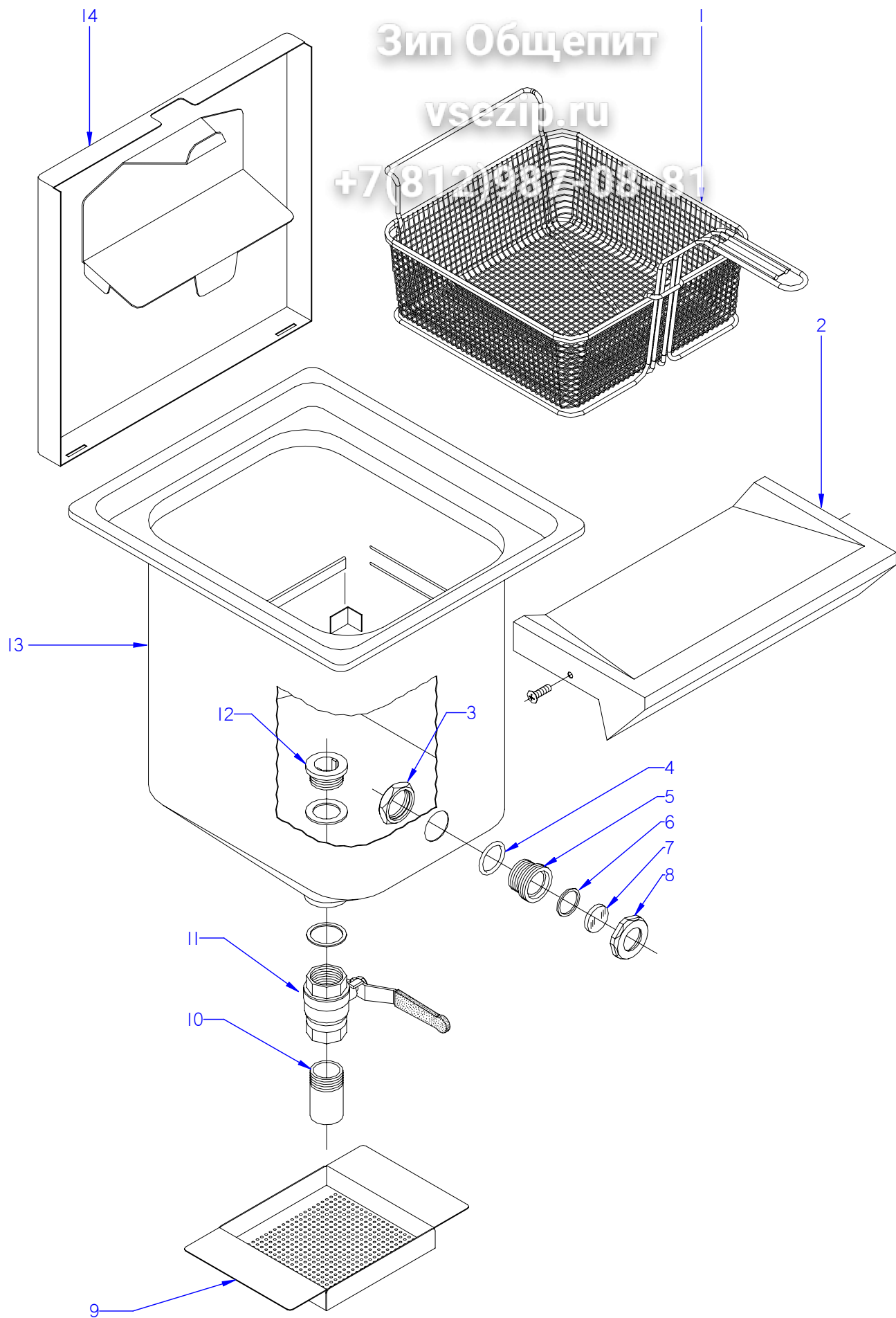
MOD.	FREIDORAS / FRYERS	ZONA / ZONE	MUEBLE / FITTING					
ITEM	CODIGO CODE	DENOMINACION	NAME	FE-18	FE-25			
1	X380507000	TIRADOR PUERTA	DOOR PULL	1	1			
	Q012021000	TORNILLO EXAGONAL M-4X10	HEXAGONAL SCREW M-4x10	2	2			
	Q242020000	ARANDELA ABANICO A-4	FAN WASHER A-4	2	2			
	Q162020000	TUERCA EXAGONAL M-4	HEXAGONAL NUT M-4	2	2			
	U120529000	GOMA PARACHOQUES	RUBBER BUMPER	2	2			
	Q152004000	TORNILLO APLASTADO M-5X13	FLAT SCREW M-5x13	4	4			
2	X380503000	PUERTA	DOOR	1	-			
2	X390503000	PUERTA	DOOR	-	1			
S/Nº	X960501000	IMAN	MAGNET	1	1			
S/Nº	X960502000	FIJACION IMAN	MAGNET ATTACHMENT	1	1			
	Q012021000	TORNILLO EXAGONAL M4X10	HEXAGONAL BOLT M4x10	1	1			
3	X380504000	CONTRAPUERTA	DOOR REVERSE	1	-			
3	X390504000	CONTRAPUERTA	DOOR REVERSE	-	1			
	Q419005000	REMACHE TUBULAR Ø 4X8	TUBULAR RIVET Ø 4X8	4	4			
4	X702806000	BISAGRA LATERAL	SIDE HINGE	2	2			
4	12040884	CUERPO BISAGRA	HINGE	2	2			
S/Nº	12040886	BISAGRA L	L HINGE	2	2			
5	X380305000	SOPORTE BISAGRA SUPERIOR	UPPER HINGE SUPPORT	1	1			
	Q242030000	ARANDELA ABANICO A-5	FAN WASHER A-5	4	4			
	Q012031000	TORNILLO EXAGONAL M-5X10	HEXAGONAL SCREW M-5x10	4	4			
	Q221343000	REMACHE EXAGONAL M-6	HEXAGONAL RIVET M-6	4	4			
	Q242040000	ARANDELA ABANICO A-6	FAN WASHER A-6	4	4			
	Q012042000	TORNILLO EXAGONAL M-6X15	HEXAGONAL SCREW M-6x15	4	4			
6	X380307000	SOPORTE CAJA IZQUIERDO	LEFT BOX SUPPORT	1	1			
S/Nº	X380308000	SOPORTE CAJA DERECHO	RIGHT BOX SUPPORT	1	1			
	Q221343000	REMACHE EXAGONAL M-6	HEXAGONAL RIVET M-6	6	6			
7	X380306000	SOPORTE BISAGRA INFERIOR	LOWER HINGE SUPPORT	1	-			
7	X390304000	SOPORTE BISAGRA INFERIOR	LOWER HINGE SUPPORT	-	1			
8	X380303000	BASE PEDESTAL	PEDESTAL BASE	1	-			
8	X390302000	BASE PEDESTAL	PEDESTAL BASE	-	1			
	Q151301000	TORNILLO ALOMADO	CURVED SCREW	6	6			

MOD.		FREIDORAS / FRYERS	ZONA / ZONE	MUEBLE / FITTING			
ITEM	CODIGO CODE	DENOMINACION	NAME	FE-18	FE-25		
9	Z200107000	PATA REGULABLE	ADJUSTABLE LEG	4	4		
	Q221345000	REMACHE EXAGONAL M-10	HEXAGONAL RIVET M-10	4	4		
	Q419005000	REMACHE TUBULAR Ø 4X8	TUBULAR RIVET Ø 4X8	12	12		
10	X380310000	SOPORTE PATA	LEG SUPPORT	4	4		
11	X380301000	CUERPO	BODY	1	-		
11	X390301000	CUERPO	BODY	-	1		
12	3673700000	PERFIL GOMA GRIS 12X6X470	GREY RUBBER PROFILE 12X6X470	1	1		
	Q012042000	TORNILLO EXAGONAL M-6X15	HEXAGONAL SCREW M-6x15	6	6		
	Q242040000	ARANDELA ABANICO A-6	FAN WASHER A-6	6	6		
13	X380302000	ESCUADRA APOYO CUBA	VAT SUPPORT BRACKET	4	4		
	Q419005000	REMACHE TUBULAR Ø 4X8	TUBULAR RIVET Ø 4X8	8	8		
	Q012042000	TORNILLO EXAGONAL M-6X15	HEXAGONAL SCREW M-6x15	6	6		
	Q242040000	ARANDELA ABANICO A-6	FAN WASHER A-6	6	6		
	Q221343000	REMACHE EXAGONAL M-6	HEXAGONAL RIVET M-6	6	6		
14	X352802000	SOPORTE TAPA	LID SUPPORT	2	2		
15	X380304000	PANEL FRONTAL SUPERIOR	UPPER FRONT PANEL	1	-		
15	X390303000	PANEL FRONTAL SUPERIOR	UPPER FRONT PANEL	-	1		
	Q419005000	REMACHE TUBULAR Ø 4X8	TUBULAR RIVET Ø 4X8	2	2		

Зип Общепит

vsezip.ru

+7(812)987-08-81



ITEM MARCADO EN COLOR = REPUESTO RECOMENDADO  
COLOURED ITEM = RECOMMENDED SPARE PART

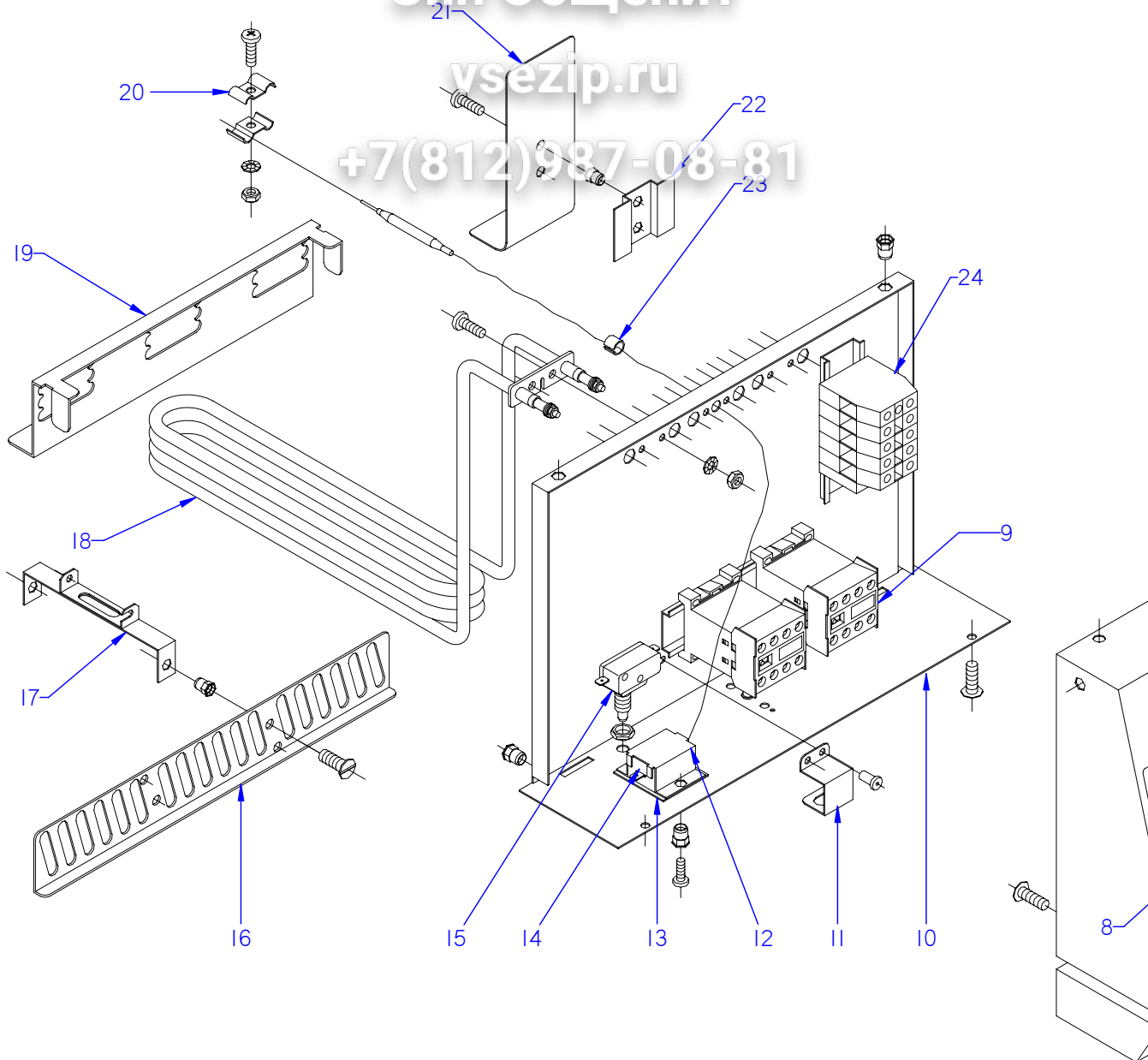
N plano	Firma	Fecha	Aparato	CUBA / TANK	Lamina	Fagor Industrial S.Coop. <b>FAGOR</b>
C-2669	<i>[Signature]</i>	2010-06	FREIDORAS FE-18 / FE-25		2	Oñate

MOD.	FREIDORAS / FRYERS	ZONA / ZONE	CUBA / TANK					
ITEM	CODIGO CODE	DENOMINACION	NAME	FE-18	FE-25			
1	X386503000	CESTILLO FE-18	BASKET FE-18	1	-			
1	X396503000	CESTILLO 25 LITROS	BASKET 25 LITRES	-	1			
1	X399902000	CESTILLO 25 LITROS	BASKET 25 LITRES	-	2			
2	X382804000	ENCIMERA FRONTAL	FRONT WORKTOP	1	-			
2	X392806000	ENCIMERA FRONTAL FE-25	FRONT WORKTOP FE-25	-	1			
	Q152004000	TORNILLO APLASTADO M-5X13	FLAT SCREW M-5x13	2	2			
3	Q223014000	TUERCA EXAGONAL 1"	HEXAGONAL NUT 1"	1	1			
4	Q307000000	JUNTA TORICA	O-RING	1	1			
5	9294500000	PORTAMIRILLA	INSPECTION WINDOW HOLDER	1	1			
6	Q307029000	JUNTA Ø31XØ26,5X2	SEAL Ø31XØ26.5X2	1	1			
7	9294600000	MIRILLA CRISTAL	INSPECTION WINDOW	1	1			
8	9294400000	TUERCA CIERRE	LOCKING NUT	1	1			
9	X166510000	FILTRO DE ACEITE	OIL FILTER	1	1			
10	X396105000	TUBO DE EVACUACION	DRAINAGE PIPE	1	1			
11	X036107000	VALVULA ESFERA PASO TOTAL 1	SPHERICAL VALVE TOTAL PASS	1	1			
	Q306046000	ARANDELA FIBRA ROJA	RED FIBRE WASHER	1	1			
12	9614900000	DESAGÜE 1"	DRAINAGE 1"	1	1			
	Q300047000	JUNTA DESAGÜE Ø42XØ31X2	DRAIANGE SEAL Ø42XØ31X2	1	1			
13	X386100000	CUBA COMPLETA FE-18	COMPLETE TUB FE-18	1	-			
13	X396100000	CUBA COMPLETA FE-25	COMPLETE TUB FE-25	-	1			
14	X382800000	TAPA COMPLETA	COMPLETE COVER	1	-			
14	X392800000	TAPA COMPLETA	COMPLETE COVER	-	1			

Зип Общепит

vsezip.ru

+7(812)987-08-81



ITEM MARCADO EN COLOR = REPUESTO RECOMENDADO  
COLOURED ITEM = RECOMMENDED SPARE PART

N plano	Firma	Fecha	Aparato	Lamina	Fagor Industrial S. Coop.
C-2670	<i>[Signature]</i>	2010-06	PARTE FUNCIONAL ELECTRICA / ELECTRICS FUNCTIONAL PART FREIDORAS FE-18 / FE-25	3	Onete



MOD.		FREIDORAS / FRYERS		ZONA / ZONE		PARTE FUNCIONAL ELECTRICA ELECTRICS FUNCTIONAL PART			
ITEM	CODIGO CODE	DENOMINACION	NAME	FE-18	FE-25				
1	X373401000	PANEL FRONTAL FE-8 /9 /18	FRONT PANEL FE-8 /9 /18	1	-				
1	X392812000	PANEL FRONTAL FE-25	FRONT PANEL FE-25	-	1				
	Q152004000	TORNILLO APLASTADO M-5X13	FLAT SCREW M-5x13	6	6				
	Q221342000	REMACHE EXAGONAL M-5	HEXAGONAL RIVET M-5	6	6				
2	X382805000	EMBELLECEDOR ADHESIVO	ADHESIVE TRIM	1	-				
2	X392810000	EMBELLECEDOR ADHESIVO	ADHESIVE TRIM	-	1				
3	X033000000	TERMOSTATO 60 - 200° C.	THERMOSTAT 60 - 200° C.	1	1				
4	R663062000	BOTON DE MANDO Ø6	CONTROL BUTTON Ø6	1	1				
5	X380505000	EMBELLECEDOR FE-18	TRIM FE-18	1	-				
5	X390505000	EMBELLECEDOR FE-25	TRIM FE-25	-	1				
6	R693055000	PILOTO VERDE	GREEN PILOT LIGHT	1	1				
6	12047390	PILOTO VERDE 230V AC 8KW 16MM	GREEN PILOT 230V AC 8KW 16M	1	1				
7	R693056000	PILOTO AMBAR	AMBAR PILOT	1	1				
7	12024669	PILOTO AMBAR Ø18	AMBER PILOT Ø18	1	1				
8	Z853001000	INTERRUPTOR GENERAL	POWER SWITCH	1	1				
9	Z203050000	CONTAC. SIRIUS 3R 230V.50-60	CONTACT. SIRIUS 3R 230V.50-60	2	2				
	R663055000	GUIA CONTACTOR L=120	CONTACTOR GUIDE L=120	1	1				
	Q419005000	REMACHE TUBULAR Ø4X8	TUBULAR RIVET Ø4X8	2	2				
10	X383001000	CUADRO ELECTRICO	SWITCHBOARD	1	-				
10	X393012000	CUADRO ELECTRICO	SWITCHBOARD	-	1				
11	X363020000	SOPORTE MICRO	MICRO BRACKET	1	1				
11	12043539	SOPORTE MICRO	MICRO BRACKET	1	1				
	Q419005000	REMACHE TUBULAR Ø4X8	TUBULAR RIVET Ø4X8	2	2				
12	X353007000	SOPORTE TERMOST. SEGURIDAD	THERMOSTAT SUPPORT SAFETY	1	1				
	Q221341000	REMACHE EXAGONAL M-4	HEXAGONAL RIVET M-4	2	2				
	Q032021000	TORNILLO ALOMADO M-4X10	CURVED SCREW M-4x10	2	2				
13	X353015000	PLACA AISLANTE	INSULATION PLATE	1	1				
14	X033001000	TERMOSTATO DE SEGURIDAD	SAFETY THERMOSTAT	1	1				
14	12044749	TERMOSTATO DE SEGURIDAD	SAFETY THERMOSTAT	1	1				
15	X343015000	MICRORRUPTOR 32280001	MICROSWITCH 32280001	1	1				
15	X022138000	MICRORRUPTOR 250VAC 16A VDE	MICROSWITCH 250V AC16A VDE	1	1				



MOD.		FREIDORAS / FRYERS		ZONA / ZONE		PARTE FUNCIONAL ELECTRICA ELECTRICS FUNCTIONAL PART			
ITEM	CODIGO CODE	DENOMINACION	NAME	FE-18	FE-25				
16	X393013000	SEPARADOR RESISTENCIAS	RESISTOR DIVIDER	-	2				
	Q152004000	TORNILLO APLASTADO M-5X13	FLAT SCREW M-5x13	-	4				
17	X393014000	ESCUADRA SOPORTE BULBO	BULB SUPPORT BRACKET	-	2				
	Q221342000	REMACHE EXAGONAL M-5	HEXAGONAL RIVET M-5	-	4				
18	X383020000	RESISTENCIA 3000 W.,230 V.	RESISTOR 3000 V., 230 V	3	-				
18	X393021000	RESISTENCIA 4250 W.,230 V.	RESISTOR 4250 V., 230 V	-	3				
	Q162020000	TUERCA EXAGONAL M-4	HEXAGONAL NUT M-4	6	6				
	Q242020000	ARANDELA ABANICO A-4	FAN WASHER A-4	6	6				
	Q032021000	TORNILLO ALOMADO M-4X10	CURVED SCREW M-4x10	6	6				
19	X363030000	SEPARADOR RESISTENCIAS	RESISTOR DIVIDER	1	1				
20	X033011000	BRIDA SUJECION BULBO	BULB FASTENING FLANGE	4	4				
	Q162020000	TUERCA EXAGONAL M-4	HEXAGONAL NUT M-4	2	2				
	Q242020000	ARANDELA ABANICO A-4	FAN WASHER A-4	2	2				
	Q032021000	TORNILLO ALOMADO M-4X10	CURVED SCREW M-4x10	2	2				
21	X353008000	PROTECTOR RESISTENCIAS	RESISTOR PROTECTOR	1	-				
21	X393016000	PROTECTOR RESISTENCIAS	RESISTOR PROTECTOR	-	1				
	Q032021000	TORNILLO ALOMADO M-4X10	CURVED SCREW M-4x10	2	2				
22	X353010000	AMARRE PROTECTOR	PROTECTOR FASTENING	1	1				
	Q221341000	REMACHE EXAGONAL M-4	HEXAGONAL RIVET M-4	2	2				
23	X033014000	ANILLO 10288	RING 10288	4	4				
24	P453026000	BORNE TIERRA AMARILLO-VERDE	YELLOW-GREEN EARTH TERMIN	1	1				
	P453025000	BORNE FASES RST GRIS	GREY RST PHASE TERMINAL	4	4				
	Z683067000	TOPE BORNES	TERMINAL BUFFER	1	1				
	R663055000	GUIA CONTACTOR L=120	CONTACTOR GUIDE L=120	1	1				
S/Nº	12040852	BRIDA SUJECCION CAPILAR FE	HAIR FIXING FLANGE FE	2	2				

**Зип Общепит**

vsezip.ru

+7(812)987-08-81

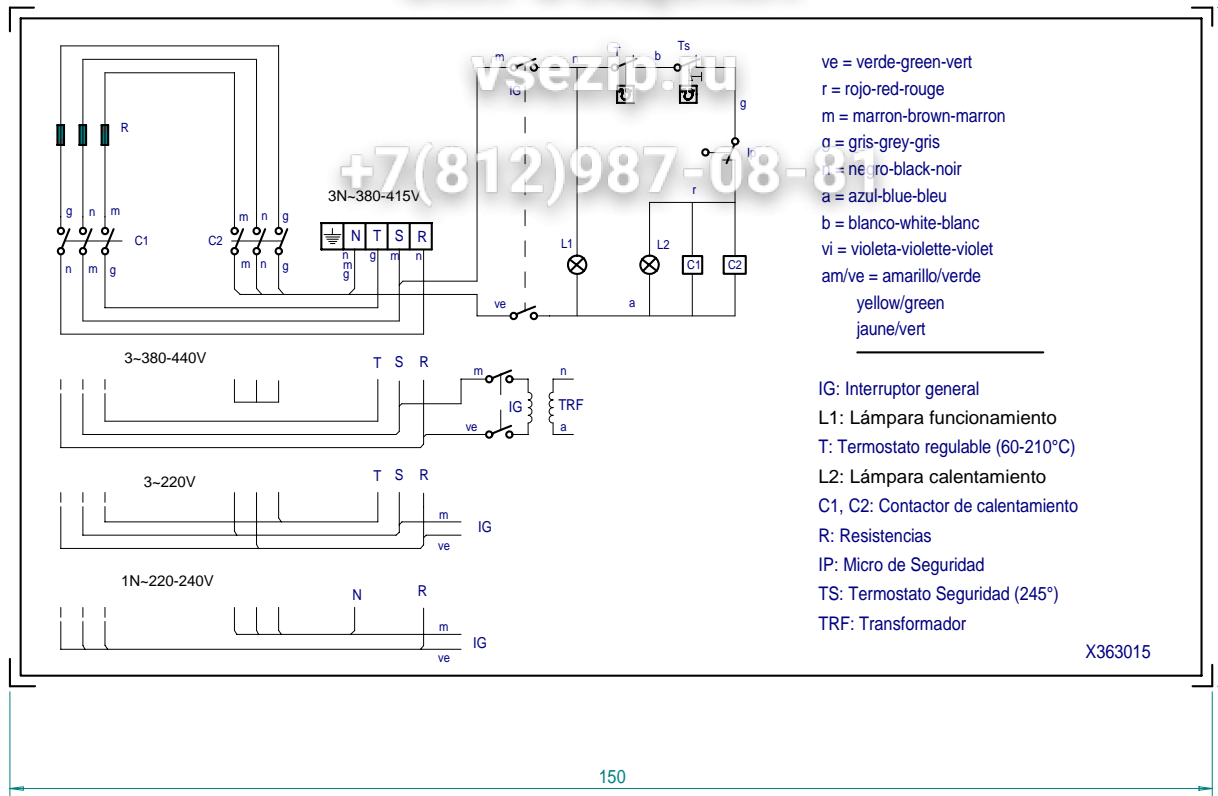
MOD.		FREIDORAS / FRYERS		ZONA / ZONE		VARIOS / MISCELLANEOUS			
ITEM	CODIGO CODE	DENOMINACION	NAME	FE-18	FE-25				
	X386502000	FOLLETO DE INSTRUCCIONES	INSTRUCTION LEAFLET	1	1				
	X363015000	ESQUEMA FE-6-8-18-25	DIAGRAM FE-6-8-18-25	1	1				
	X383003000	ESQUEMA ELECTRICO MONTAJE	ELECTRICAL ASSEMBLY DIAGRA	1	1				
	X373007000	CABLEADO PORTAMANDOS	CONTROL HOLDER WIRING	1	1				
	X383007000	CABLEADO REGLETA CONTACT.	CONTACT. CONTROL WIRING	2	2				
	X393007000	CABLEADO CONTACTOR-RESIST	RESIST.- CONTACTOR WIRING	1	1				
	X363017000	CABL. MANGUERA FE-18 (3x220V.)	HOSE CABLE FE-18 (3x220V.)	1	-				
	X383002000	MANGUERA FE-18-25 (1x220V.)	HOSE FE-18-25 (1x220V.)	1	1				
	X393008000	CABLE MANGUERA FE-25 (3x220V.)	HOSE CABLE FE-25 (3x220 V)	-	1				

vsezip.ru

+7(812)987-08-81

MOD.		FREIDORAS / FRYERS	ZONA / ZONE	REPUESTOS RECOMENDADOS RECOMMENDED SPARE PART				
ITEM	CODIGO CODE	DENOMINACION	NAME	FE-18	FE-25			
4	12040884	CUERPO BISAGRA	HINGE	2	2			
S/Nº	12040886	BISAGRA L	L HINGE	2	2			
4	Q307000000	JUNTA TORICA	O-RING	1	1			
6	Q307029000	JUNTA Ø31XØ26,5X2	SEAL Ø31XØ26.5X2	1	1			
7	9294600000	MIRILLA CRISTAL	INSPECTION WINDOW	1	1			
11	X036107000	VALVULA ESFERA PASO TOTAL 1	SPHERICAL VALVE TOTAL PASS	1	1			
12	9614900000	DESAGÜE 1"	DRAINAGE 1"	1	1			
3	X033000000	TERMOSTATO 60 - 200º C.	THERMOSTAT 60 - 200º C.	1	1			
6	12047390	PILOTO VERDE 230V AC 8KW 16MM	GREEN PILOT 230V AC 8KW 16M	1	1			
7	12024669	PILOTO AMBAR Ø18	AMBER PILOT Ø18	1	1			
8	Z853001000	INTERRUPTOR GENERAL	POWER SWITCH	1	1			
14	12044749	TERMOSTATO DE SEGURIDAD	SAFETY THERMOSTAT	1	1			
15	X022138000	MICRORRUPTOR 250VAC 16A VDE	MICROSWITCH 250V AC16A VDE	1	1			
18	X383020000	RESISTENCIA 3000 W.,230 V.	RESISTOR 3000 V., 230 V	3	-			
18	X393021000	RESISTENCIA 4250 W.,230 V.	RESISTOR 4250 V., 230 V	-	3			

# Зип Общепит



## NOTA

- LAS INSCRIPCIONES RESISTIRAN SIN MODIFICACION APRECIABLE, EL FROTAMIENTO DURANTE 15 seg. DE UN ALGODON EMPAPADO EN GASOLINA.

	FE-710, FE-18, FE-25, FE-71/15, FE-91/20	
	Esquema teorico adhesivo FE-6, FE-8	
Nº	Pieza	
Nº	Modificacion	
①	Eliminar indicacion temperatura y introducir 1N-50Hz 220V	
②	Cambiar indicacion de tensiones	
③	Modifi.general(pasar a fabric.interior)	
	Firma	Fecha
Dibujado	JON	92-1-24
Proyectado		
Comprobado	<i>[Signature]</i>	
Escala		
Plano hau ez daitelke erabil ez berizta gure		

Зим Общепит

RESISTENCIA	FE-18	FE-25
Potencia	3000 W	4250 W
230/400V	X-383020	X-393021

vs@zip.ru

+7(812)987-08-81

X-353014  
Tubo extensible  
L=50mm

X-393007

X-383007

Micro seguridad  
R-253038

Limitador 245°C  
X-033001

X-373007

Interruptor  
General  
Z-853001

Piloto  
Ambar  
Z-203005

Piloto  
Verde  
Z-203004

Termostato 60-215°C  
X-033000

Bornes

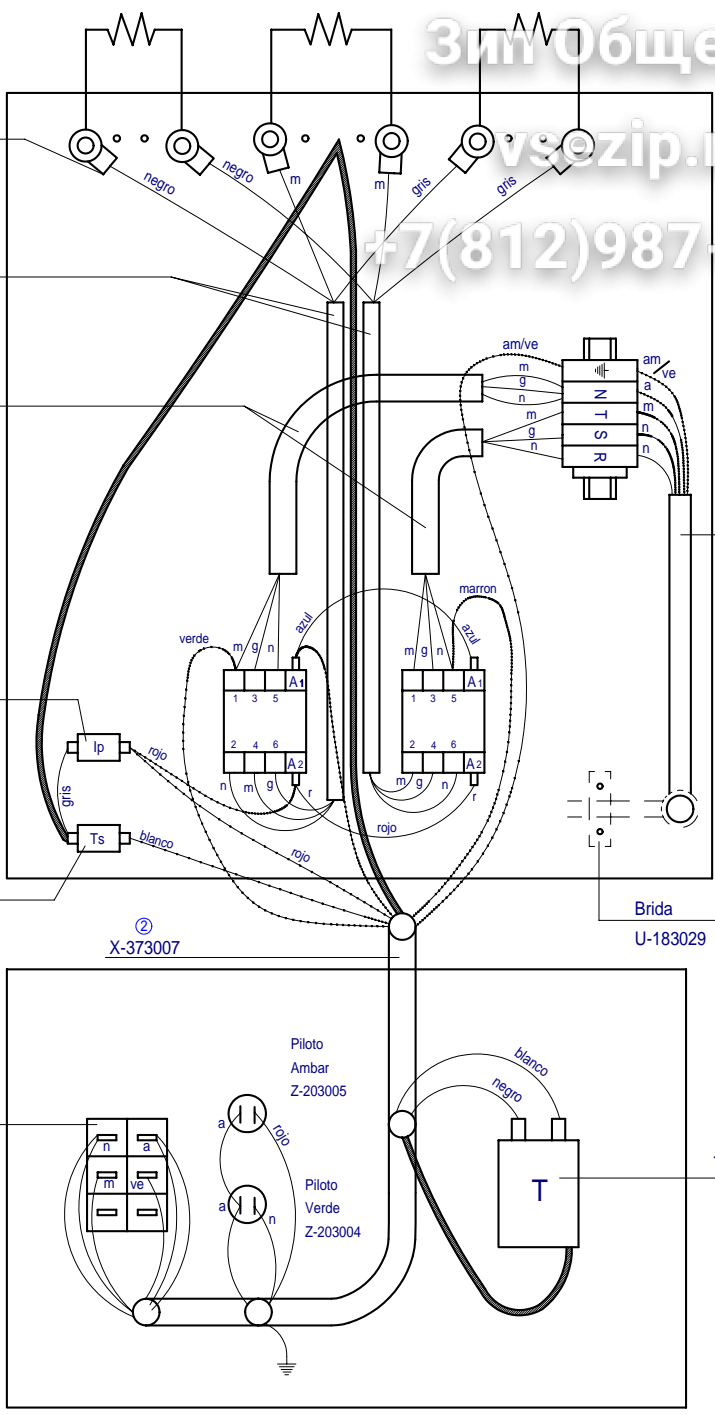
- X-183012
- X-183013
- X-183014
- X-183015
- X-183016
- X-183017
- X-183018
- X-183019
- X-183020


Manguera

- FE-18 X-363017 5x2.5mm ②
- FE-25 X-393008 5x6 mm ②

Contactores  
Z-203050 ②

Brida  
U-183029



Esquema montaje FE-18 FE-25		
Nº	Pieza	
Nº	Modificacion	
①	Cambio varios	
②	Cambio varios	
Firma		Fecha
Dibujado JON		91-12-4
Proyectado		
Comprobado		
Escala		
		
<small>Plano hau ez daiteke erabili ez berizta gure</small>		