

Зип Общепит

vsezip.ru

DESPIECE TECNICO

+7(812)987-08-81

**Cocinas a gas con horno eléctrico
Gas ranges with electric oven
Fourneaux à gaz avec four électrique
Gas-herde mit elektro-backofen
Cucina a gas con forno elettrico
Fogão a gás com forno eléctrico**

GAMA SNACK

Modelos:

CGE6-41

Junio 2009 June

Revisado Mayo 2013 May Revised

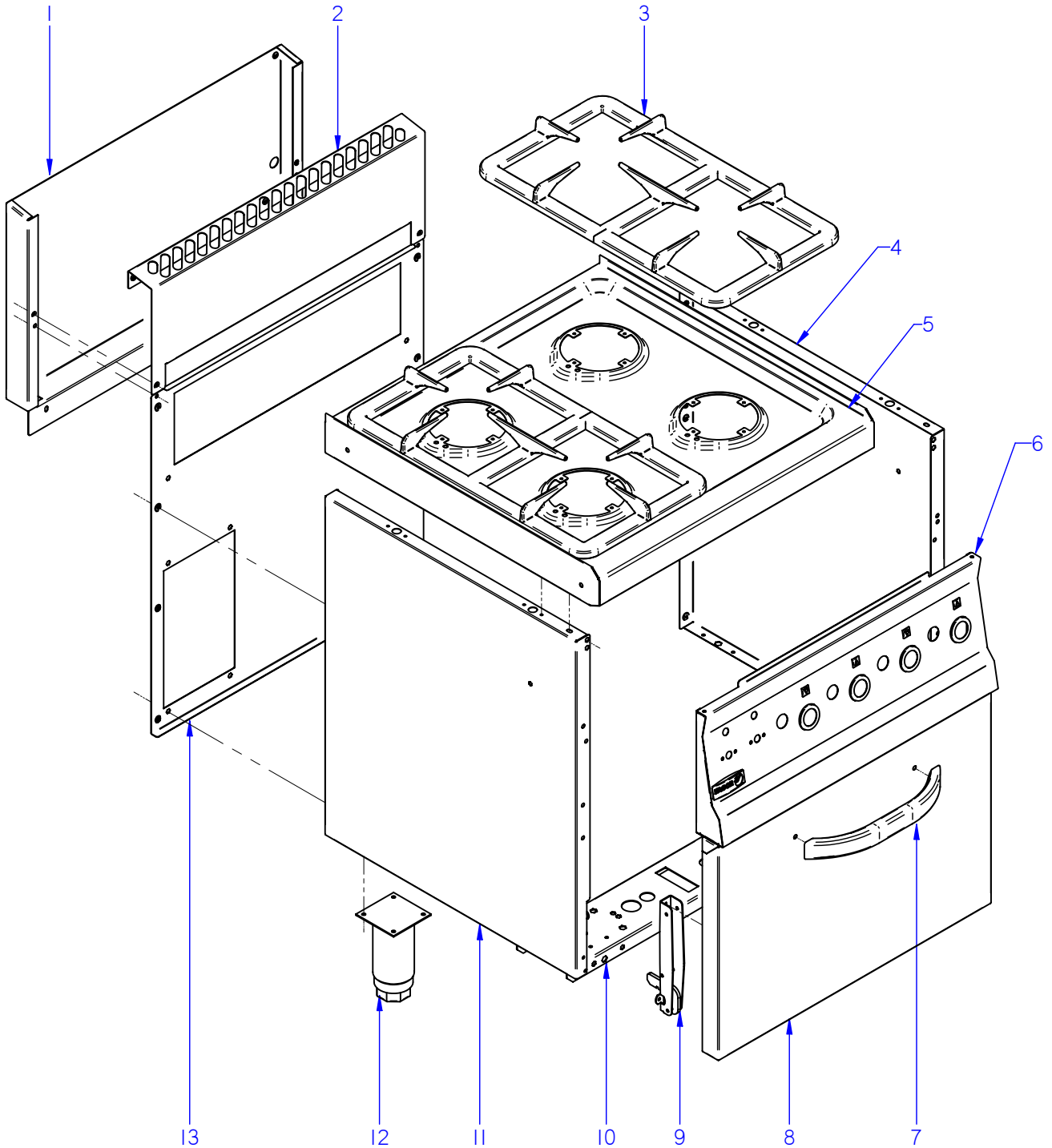
FAGOR 

F A G O R I N D U S T R I A L

Зип Общепит

vsezip.ru

+7(812)987-08-81



ITEM MARCADO EN COLOR = REPUESTO RECOMENDADO
COLOURED ITEM = RECOMMENDED SPARE PART

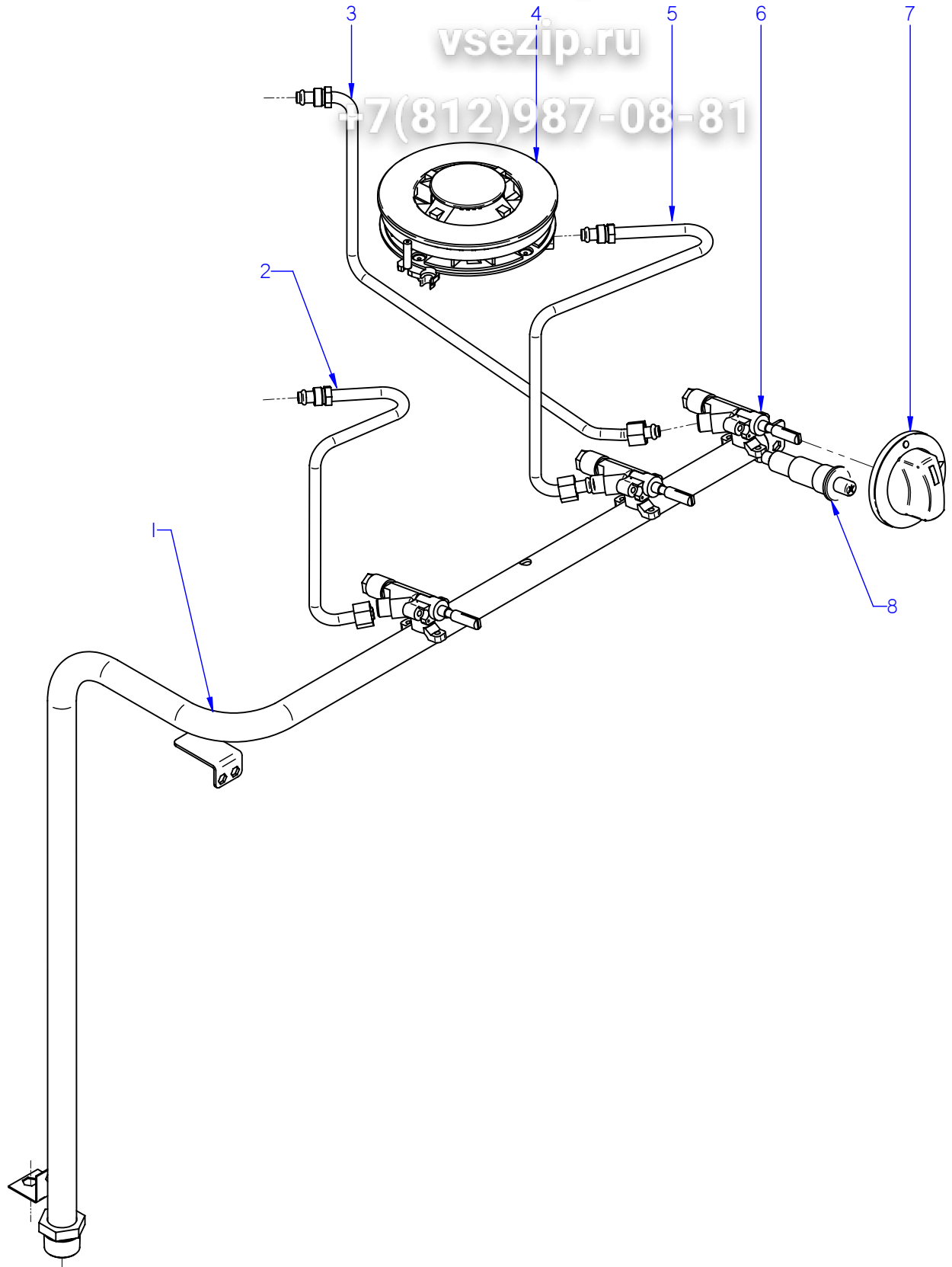
N plano	Firma	Fecha	Aparato	MUEBLE	Lamina	Fagor Industrial S.Coop. FAGOR
C-2380	<i>(Signature)</i>	2009-06	COCINA CGE6-41		1	Oñate

MOD.		COCINAS /RANGES		ZONA		MUEBLE / UNIT			
ITEM	CODIGO	DENOMINACION	TEXTO	CGE6-41					
1	J042801000	PROTECCION CHIMENEA POST.	PROTECTION CHIMEMEY POS.	1					
	Q419005000	REMACHE 4X8 ALMG3 / ALUMINIO	RIVET 4X8 ALMG3 / ALUMINIUM	2					
2	J142813000	PROTECCION CHIMENEA ANT. 600	PROTECTION CHIMENEY ANT	1					
2	J142830000	PROTECCION CHIMENEA ANT. 600	PROTECTION CHIMENEY ANT	1					
	Q012031000	TORNILLO EXAGONAL M5x10 A304	HEXAGONAL BOLT M5x10 A304	4					
	Q302022000	ARANDELA 16x6x1,2 A304	WASHER 16x6x1.2 A304	4					
3	J015405000	PARRILLA SNACK	PARRILLA SNACK	2					
4	J022802000	PANEL LATERAL DCHO CG6-41	LATERAL RIGHT RANGE CG6-41	1					
4	J022816000	PANEL LATERAL DCHO CG6-41	LATERAL RIGHT RANGE CG6-41	1					
	Q419005000	REMACHE 4X8 ALMG3 / ALUMINIO	RIVET 4X8 ALMG3 / ALUMINIUM	4					
	X010503000	CIERRE MUELLE	LOCK SPRING	2					
	Z442918000	CLIP CIERRE	LOCK SPRING	2					
	Q419007000	REMACHE TUBULAR C/V D3.2X6	TUBULAR RIVET C/V D3.2X6	4					
5	J015411000	ENCIMERA CG6-40 COMPL.	TOP CG6-40 COMPL.	1					
	Q221342000	REMACHE EXAGONAL M5	HEXAGONAL RIVET M5	4					
	X012612000	PITON CIERRE	LOCK SPIKE	4					
	Z442919000	PITON CIERRE	LOCK SPIKE	4					
	Q221342000	REMACHE EXAGONAL M5	HEXAGONAL RIVET M5	2					
6	J052802000	PORTAMANDOS COMPL. CGE6-41	CONTROL HOLDER CGE6-41	1					
	U022836000	ESCUDO FAGOR	FAGOR EMBLEM	1					
	Q221023000	CLIP SUJECIÓN RÁPIDA Ø5	RAPID CONNECT CLIP Ø5	2					
	Q419005000	REMACHE 4x8 ALMG3 / ALUMINIO	RIVET 4X8 ALMG3 / ALUMINIUM	6					
	Q012031000	TORNILLO EXAGONAL M5x10 A304	HEXAGONAL BOLT M5x10 A304	2					
	Q302022000	ARANDELA 16x6x1,2 A304	WASHER 16x6x1.2 A304	2					
7	Z400542000	ASA LVS.	HANDLE LVS.	1					
	Q012041000	TORNILLO EXAGONAL M6x10	HEXAGONAL BOLT M6x10	2					
	Q302022000	ARANDELA 16x6x1,2 A304	WASHER 16x6x1.2 A304	2					
	1100003427	KIT PUERTA DE HORNO	OVEN DOOR KIT						
8	J040501000	PUERTA DE HORNO	OVEN DOOR	1					
9	U020528000	BISAGRA CIERRE HORNO	OVEN LOCK HINGE	2					
	Q152022000	TORNILLO M6x8	BOLT M6x8	6					

Зип Общепит

vsezip.ru

+7(812)987-08-81



ITEM MARCADO EN COLOR = REPUESTO RECOMENDADO
COLOURED ITEM = RECOMMENDED SPARE PART

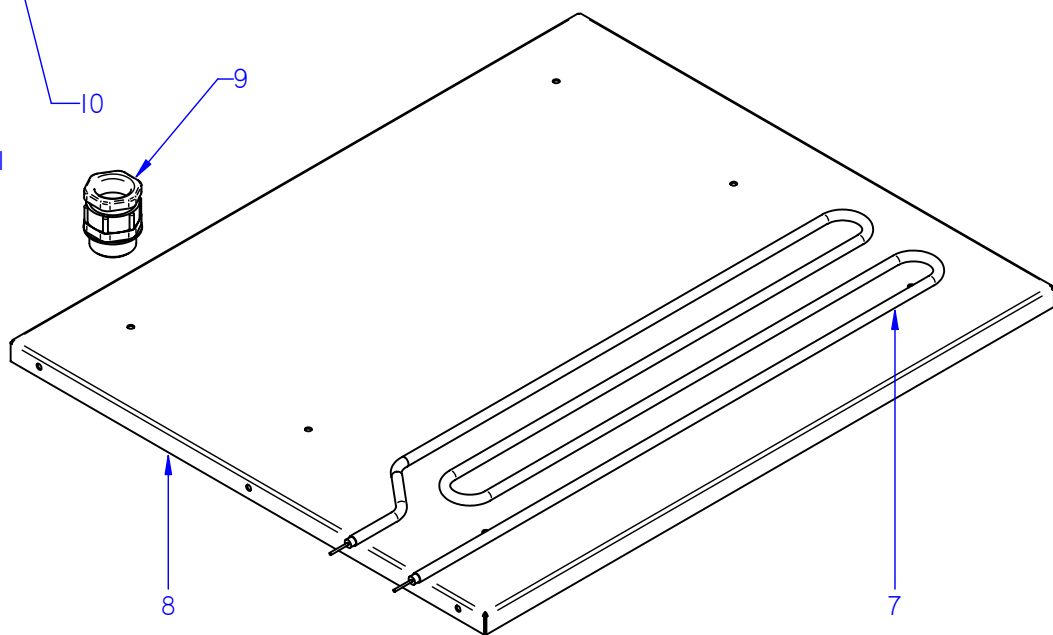
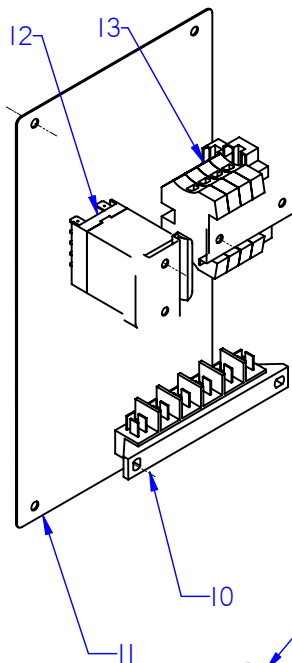
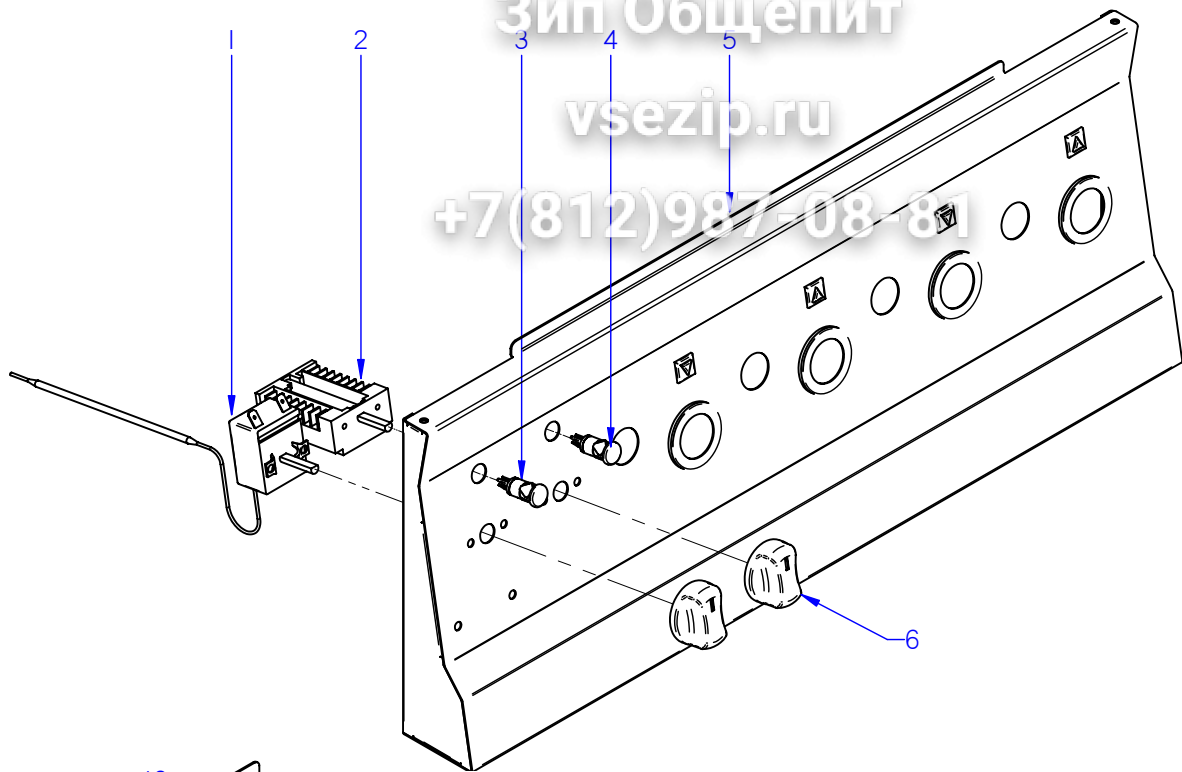
N plano	Firma	Fecha	Aparato	CONJUNTO FUNCIONAL GAS	Lamina	Fagor Industrial S.Coop. FAGOR
C-2381	<i>[Signature]</i>	2009-06	COCINA CGE6-41		2	Oñate

MOD.		COCINAS /RANGES		ZONA		CONJUNTO FUNCIONAL GAS FUNCTIONAL UNIT GAS			
ITEM	CODIGO	DENOMINACION	TEXTO	CGE6-41					
1	J055002000	CONDUCCION GENERAL CG6-41	GENERAL PIPE CG6-41	1					
1	J055005000	CONDUCCION GENERAL CG6-41	GENERAL PIPE CG6-41	1					
	Q012042000	TORNILLO EXAGONAL M6X15	HEXAGONAL BOLT M6X15	3					
	Q302022000	ARANDELA 16x6x1,2 A304	WASHER 16x6x1.2 A304	3					
	Q221342000	REMACHE EXAGONAL M5	HEXAGONAL RIVET M5	2					
	Q012031000	TORNILLO EXAGONAL M5x15 A304	HEXAGONAL BOLT M5x15 A304	2					
	Q221343000	REMACHE EXAGONAL M6	HEXAGONAL RIVET M6	1					
2	J025015000	COND. QUEMADOR ANTER. IZDO.	COND. LEFT FRONT BURNER.	1					
3	J015015000	COND. QUEMADOR POSTERIOR	COND. REAR BURNER	2					
4	J015702000	SUPERIOR QUEMADOR BSI	TOP BURNER BSI	4					
S/Nº	J015710000	BASE QUEMADOR C/TOBERA	BURNER BASE W/NOZZLE	4					
S/Nº	J015708000	INYECTOR G30/29 G-N	INJECTOR G30/29 G-N	4					
S/Nº	J012104000	TERMOPAR L=650 COCINA SNACK	THERMOCOUPLE L=650 COOKER	4					
	Q161371000	TUERCA EXAGONAL M6X0,75	HEXAGONAL NUT M6X0,75	4					
S/Nº	J015705000	TAPA SUPERIOR Ø127	UPPER COVER Ø127	4					
S/Nº	12041540	CONJ-SUPERIOR-QUEMADOR-BSI	BURNER SET-TOP-BSI	4					
S/Nº	J015704000	TAPON SUPERIOR Ø55	UPPER LID Ø55	4					
	Q032012000	TORNILLO ALOMADO M3X15	CURVED SCREW M3X15	16					
5	J025013000	COND. QUEMADOR ANTER. DCHO.	COND. RIGHT FRONT BURNER.	1					
6	J012101000	GRIFO CAL 20703	TAP CAL 20703	4					
S/Nº	U982018000	BRIDA AMARRE TERMOSTATO	FASTENING FLANGE TERMOST	4					
	Q011353000	TORNILLO EXAGONAL M5X30	HEXAGONAL BOLT M5X30	8					
7	J012102000	MANDO COCINA SNACK GAS	BOTON RANGE GAS SNACK	4					
8	S113034000	PIEZOELECTRICO	PIEZOELECTRIC	4					
8	12043897	PIEZOELECTRICO COMPLETO	COMPLETE PIEZOELECTRIC	4					
S/Nº	12043907	ANILLO ADAPTADOR	ADAPTER RING	4					
S/Nº	U333003000	CABLE MASA ENCENEDOR	LIGHTER EARTH CABLE	4					
S/Nº	R613030000	CABLE BUJIA	SPARK PLUG CABLE	2					
S/Nº	U323007000	CABLE ENCENEDOR BUJIA	LIGHTER SPARK PLUG CABLE	2					

Зип Общепит

vsezip.ru

+7(812)987-08-81



ITEM MARCADO EN COLOR = REPUESTO RECOMENDADO
COLOURED ITEM = RECOMMENDED SPARE PART

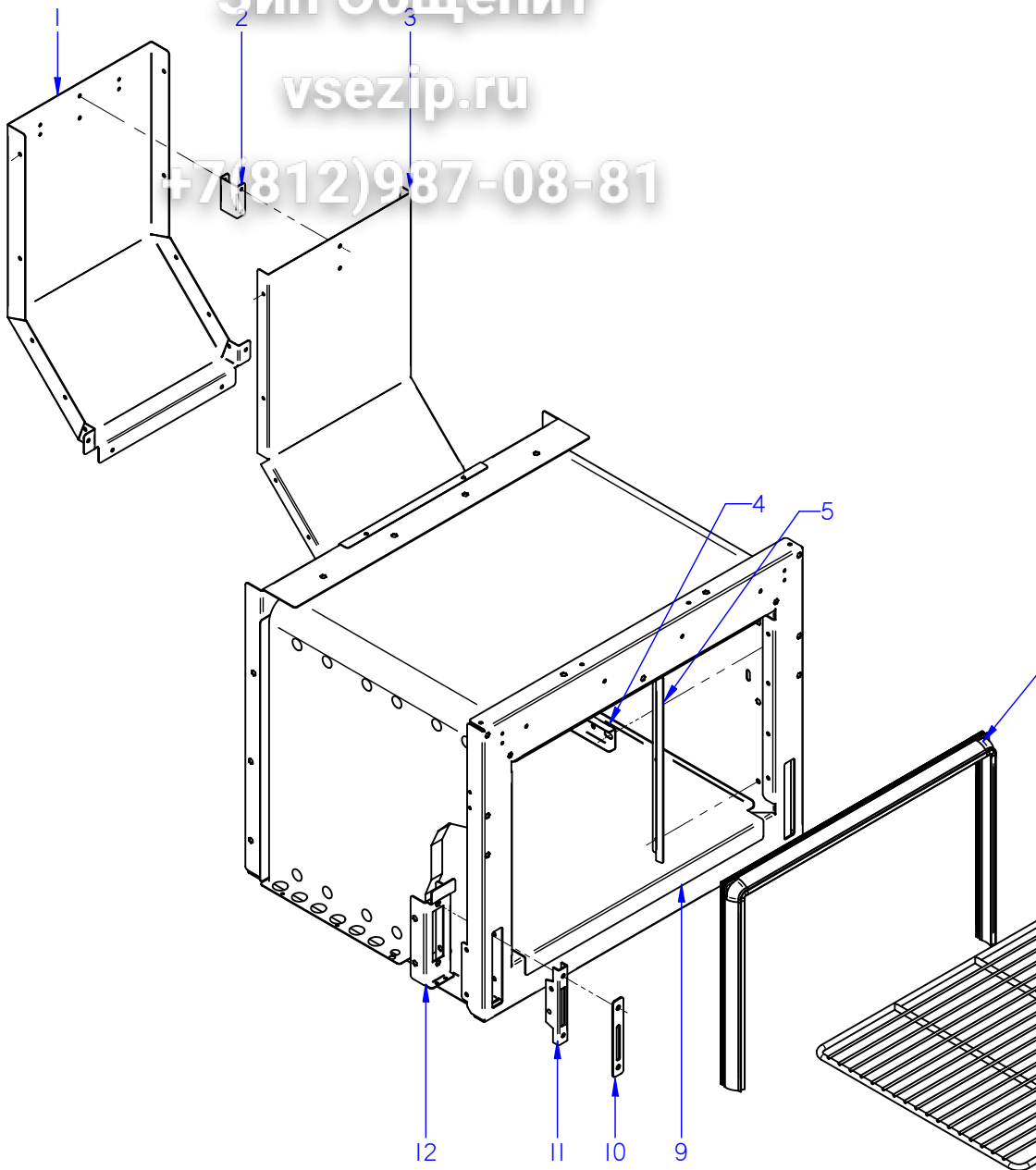
N plano	Firma	Fecha	Aparato	CONJUNTO FUNCIONAL ELECTRICO	Lamina	Fagor Industrial S.Coop. FAGOR
C-2382	<i>(Signature)</i>	2009-06	COCINA CGE6-41		3	Oñate

MOD.	COCINAS /RANGES	ZONA	CONJUNTO FUNCIONAL ELECTRICO FUNCTIONAL UNIT ELECTR.					
		vsezip.ru						
		+7(812)987-08-81						
ITEM	CODIGO	DENOMINACION	TEXTO	CGE6-41				
1	X153000000	TERMOSTATO 50-310 C	THERMOSTAT 50-310 C	1				
	Q151320000	TOR. ALOMADO M4X6 H.ZINCADO	CURVED SCREW M4X6 H. ZINC	2				
2	U673006000	CONMUTADOR	SWITCH	1				
	Q151320000	TOR. ALOMADO M4X6 H.ZINCADO	CURVED SCREW M4X6 H. ZINC	2				
3	R693055000	PILOTO VERDE 41227000C7	GREEN PILOT 41227000C7	1				
3	12047390	PILOTO VERDE 230V AC 8KW 16MM	GREEN PILOT 230V AC 8KW 16M	1				
4	R693056000	PILOTO AMBAR 41227000A4	AMBER PILOT 41227000A4	1				
4	12024669	PILOTO AMBAR Ø18	AMBER PILOT Ø18	1				
5	J052802000	PORTAMANDOS COMPL. CGE6-41	CONTROL HOLDER CGE6-41	1				
6	U952103000	MANDO Ø6 CGE6-41	CONTROL CGE6-41	2				
7	J043002000	RESISTENCIA 1000W-230V SNACK	RESISTOR 1000W-230V SNACK	6				
8	J042603000	BASE RESISTENCIAS CE6-41	SUPP. RESISTORS	1				
	Q419005000	REMACHE 4X8 ALMG3 / ALUMINIO	RIVET 4X8 ALMG3 / ALUMINIUM	8				
9	R013022000	PRENSA ESTOPAS	STUFFING BOX	1				
10	R253044000	REGLETA AUXILIAR FV-122	AUXILIARY TERMINAL STRIP FV-	1				
	Q152004000	TORNIL. APLASTADO M5X13 A 304	FLAT HEADED SCREW M5x13 A 3	4				
11	J052805000	TAPA POSTERIOR CE6-41	REAR COVER CE6-41	1				
	Q152004000	TORNIL. APLASTADO M5X13 A 304	FLAT HEADED SCREW M5x13 A 3	4				
12	Z213007000	CONTACTOR 230 V. 50-60 HZ	CONTACTOR 230 V. 50-60 HZ	1				
	Z123018000	GUIA CONTACTOR L-55	CONTACTOR GUIDE L-55	1				
	Q419005000	REMACHE 4X8 ALMG3 / ALUMINIO	RIVET 4X8 ALMG3 / ALUMINIUM	2				
13	P453025000	BORNES 10 WDU-10203.O	TERMINALS 10 WDU-10203.O	3				
	P453026000	BORNE TIER 10 WPE-10103.O	TERMINAL TIER 10 WPE-10103.O	1				
	U803009000	BORNA PASO AZUL 16 MM.	BLUE TAP TERMINAL 16 MM.	1				
	Z263302000	BORNA PASO AZUL	BLUE TAP TERMINAL	1				
	Z263303000	TOPE FINAL	END STOP	1				
	Z103083000	GUIA CONTACTOR L-73 "	CONTACTOR GUIDE L-73 "	1				
	Q419005000	REMACHE 4X8 ALMG3 / ALUMINIO	RIVET 4X8 ALMG3 / ALUMINIUM	2				

Зип Общепит

vsezip.ru

+7(812)987-08-81



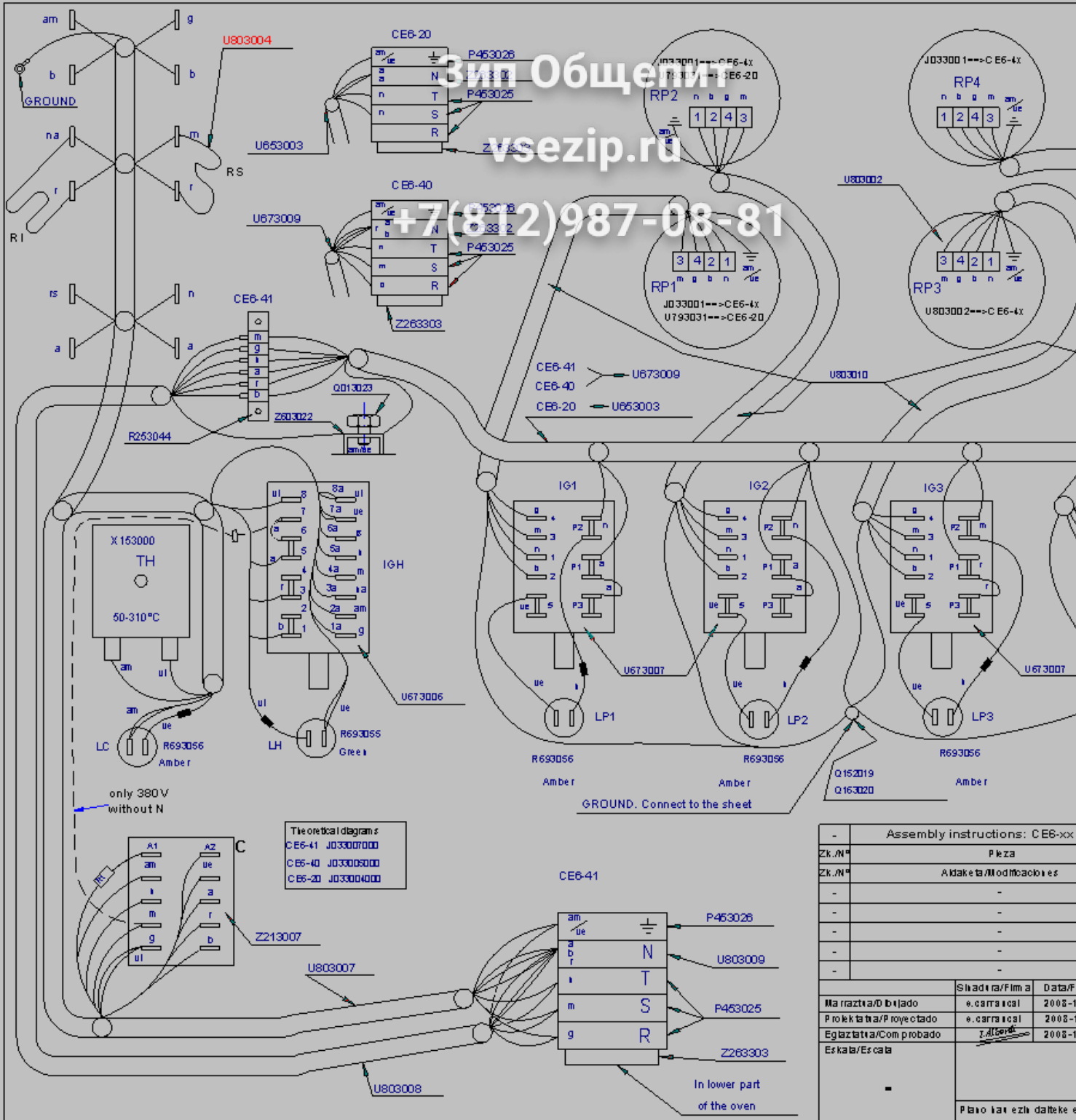
ITEM MARCADO EN COLOR = REPUUESTO RECOMENDADO
COLOURED ITEM = RECOMMENDED SPARE PART

N plano	Firma	Fecha	Aparato	HORNO	Lamina	Fagor Industrial S. Coop. FAGOR 
C-2383		2009-06	COCINA CGE6-41		4	Orте

MOD.	COCINAS /RANGES	ZONA	HORNO / OVEN				
ITEM	CODIGO	DENOMINACION	TEXTO	CGE6-41			
1	J022602000	POSTERIOR CHIMENEA CG6-41	REAR FLUEPIPE CG6-41	1			
	Q419005000	REMACHE 4X8 ALMG3 / ALUMINIO	RIVET 4X8 ALMG3 / ALUMINIUM	4			
2	J022608000	SEPAR. CHIMENEA HORNO SNACK	SEPAR. OVEN FLUEPIPE SNACK	1			
	Q419005000	REMACHE 4X8 ALMG3 / ALUMINIO	RIVET 4X8 ALMG3 / ALUMINIUM	4			
3	J022603000	ANTERIOR CHIMENEA CG6-41	FRONT FLUEPIPE CG6-41	1			
	Q419005000	REMACHE 4X8 ALMG3 / ALUMINIO	RIVET 4X8 ALMG3 / ALUMINIUM	12			
4	U055644000	FIJACION BULBO	FASTENING BULB	1			
	Q412000000	REMACHE TUBULAR 4x8	TUBULAR RIVET 4x8	2			
5	J045610000	SUJECCION JUNTA PUERTA	DOOR SEAL FASTENING	2			
	Q012031000	TORNILLO EXAGONAL M5x10 A304	HEXAGONAL BOLT M5x10 A304	6			
	Q302022000	ARANDELA 16x6x1,2 A304	WASHER 16x6x1.2 A304	6			
6	J025610000	JUNTA HORNO COMPL.SNACK	OVEN DOOR SEAL SNACK	1			
7	J045609000	GUIA BANDEJAS HORNO SNACK	OVEN TRAY GUIDE SNACK	2			
8	J045613000	PARRILLA DE HORNO SNACK	SNACK OVEN GRILLE	1			
9	J045608000	SOLERA DE HORNO	OVEN FLOOR SNACK	1			
9	J045614000	SOLERA DE HORNO	OVEN FLOOR SNACK	1			
10	J045612000	EMBELLEC. GUIA BISAGRA SNACK	TRIM HINGE GUIDE SNACK	4			
	Q152045000	TORNILLO AMARRE M6X25	FASTENING BOLT M6X25	4			
11	U010512000	GUIA DE BISAGRA	HINGE GUIDE	2			
11	12041846	GUIA DE BISAGRA	HINGE GUIDE	2			
12	J042604000	SOPORTE BISAGRA PUERTA	SUPPORT DOOR HINGE	2			
	Q221342000	REMACHE EXAGONAL M5	HEXAGONAL RIVET M5	4			
	Q419005000	REMACHE 4X8 ALMG3 / ALUMINIO	RIVET 4X8 ALMG3 / ALUMINIUM	2			
	Q012031000	TORNILLO EXAGONAL M5X10 A304	HEXAGONAL BOLT M5X10 A304	2			
	Q302022000	ARANDELA Ø16X6X1.2 A.304	WASHER 16X6X1.2 A.304	5			

Вип. Общени
vsezip.ru

+7(812)987-08-81



Theoretical diagrams
CE6-41 J033007000
CE6-40 J033008000
CE6-20 J033004000

Assembly instructions: CE6-xx		
Zk./N°	P.kzsa	
Zk./N°	Aldake ta/Modifikatsi es	
-	-	-
-	-	-
-	-	-
-	-	-
-	-	-
	Shadira/Film a	Data/Fe
Ma rrazta/D b i jado	e. carra esal	2008-11
Prok tatta/P royk tado	e. carra esal	2008-11
Eg baztta/Com probado	T. Algera	2008-11
Es kala/Es kala		
Plavo kat ezli datke e		