

Зип Общепит

vsezip.ru

DESPIECE TECNICO / SPARE PARTS BOM

+7(812)987-08-81

Cocinas a Gas
Gas ranges
Fourneaux à gaz
Gas-herde
Cucine a gas
Fogão a gás

GAMA 900 RANGE

Modelos / Models:

CG9-51 L
CG9-51 R
CG9-51 LC
CG9-51 RC

Junio 2009 June

Revisado Febrero 2016 February Revised

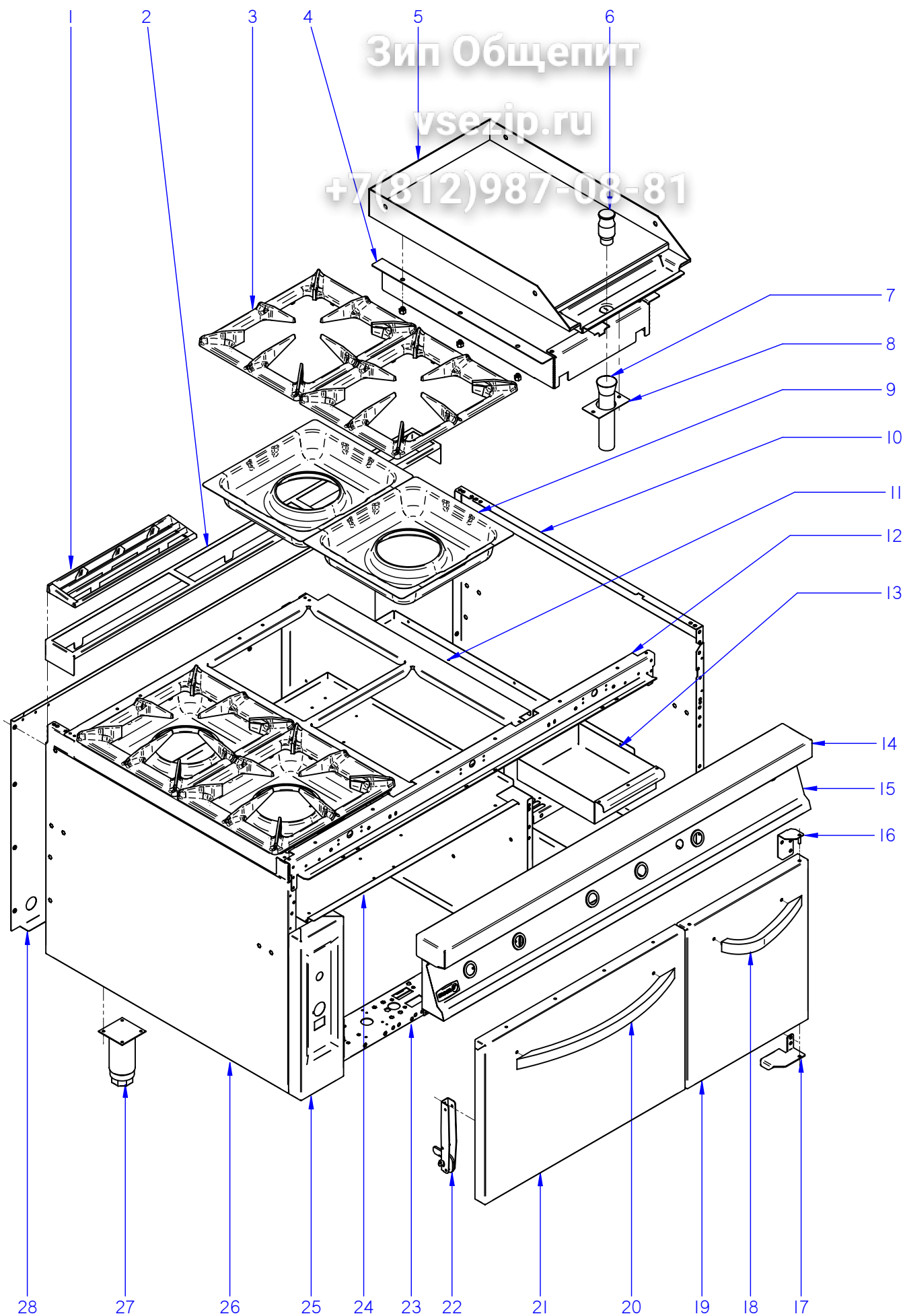
FAGOR 

F A G O R I N D U S T R I A L

Зип Общепит

vsezip.ru

+7(812)987-08-81



ITEM MARCADO EN COLOR = REPUESTO RECOMENDADO
COLOURED ITEM = RECOMMENDED SPARE PART

N plano	Firma	Fecha	Aparato	MUEBLE	Lamina	Fagor Industrial S.Coop. FAGOR
C-2360	<i>(Signature)</i>	2009-06	COCINA CG9-51		1	Oñate

MOD.	COCINAS	ZONA	MUEBLE / UNIT					
		vsezip.ru						
		+7(812)987-08-81						
ITEM	CODIGO	DENOMINACION	TEXTO	CG9-51				
1	R205425000	EMBELLECEDOR ESMALTE	ENAMEL TRIM	3				
2	R205440000	SOPORTE EMBELLECEDOR 1,5 M	TRIM SUPPORT 1.5 M	1				
3	U035409000	PARRILLA GAMA 900	GRILL 900 RANGE	4				
4	R042610000	CAJA COMBUSTIÓN 1/2 M	COMBUSTION BOX 1/2 M	1				
S/Nº	R615412000	APOYO LATERAL	SIDE SUPPORT	6				
5	R045402000	PLANCHA FTG9-05 L EUROSIT	PLATE FTG9-05 L EUROSIT	1				
5	R045405000	PLANCHA FTG9-05 R EUROSIT	PLATE FTG9-05 R EUROSIT	1				
5	R045404000	PLANCHA FTG/C9-05 L EUROSIT	PLATE FTG/C9-05 L EUROSIT	1				
5	R045406000	PLANCHA FTG/C9-05 R EUROSIT	PLATE FTG/C9-05 R EUROSIT	1				
6	R045415000	TAPON DESAGÜE CR-DURO	DRAINAGE CAP CHROME PLATE	1				
7	R155010000	TUBO DESAGÜE FRY-TOP G-900	DRAINAGE PIPE FRY-TOP G900	1				
8	R152607000	SOPORTE TUBO DESAGÜE	DRAINAGE PIPE SUPPORT	1				
	Q302022000	ARANDELA 16X6X1.2 A.304	WASHER 16X6X1.2 A.304	2				
	Q162040000	TUERCA EXAGONAL M6	HEXAGONAL NUT M6	2				
9	U025473000	BACINETA QUEMADOR G900	BASIN BURNER G900	4				
10	X162814000	PANEL LATERAL DERECHO G9-00	RIGHT SIDE PANEL G9-00	1				
	Q221343000	REMACHE EXAGONAL M6	HEXAGONAL RIVET M6	11				
	Q221342000	REMACHE EXAGONAL M5	HEXAGONAL RIVET M5	11				
	Q152004000	TORNILLO APLASTADO M5x13 A304	FLAT HEADED BOLT M5x13 A304	1				
11	U035410000	MESA 1 M CG9-51	BENCH 1 M CG9-51	1				
	Q152004000	TORNIL, APLASTADO M5x13 A304	FLAT HEADED BOLT M5x13 A304	12				
	Q221342000	REMACHE EXAGONAL M5	HEXAGONAL RIVET M5	6				
12	U032625000	ESCUA INTER AMAR ANTE 1,5 M	BRACKET INTER FASTE. FRONT	1				
	Q221342000	REMACHE EXAGONAL M5	HEXAGONAL RIVET M5	6				
	Q012032000	TORNILLO EXAGONAL M5x15	HEXAGONAL BOLT M5x15	6				
	Q152004000	TORNIL, APLASTADO M5x13 A304	FLAT HEADED BOLT M5x13 A304	6				
	Q302022000	ARANDELA 16x6x1,2 A304	WASHER 16x6x1.2 A304	6				
13	R152608000	CAJA RECOGEGRASAS	GREASE COLLECTION TRAY	1				
14	U035406000	ANTERIOR MESA 1,5 M	BENCH FRONT 1.5 M	1				
	Q152004000	TORNIL, APLASTADO M5x13 A304	FLAT HEADED BOLT M5x13 A304	3				
	Q302022000	ARANDELA 16x6x1,2 A304	WASHER 16x6x1.2 A304	3				

MOD.		COCINAS		vsezip.ru		MUEBLE / UNIT			
ITEM	CODIGO	DENOMINACION	TEXTO	CG9-51					
15	U092805000	PORTAMANDOS COMPL. CG9-51	CONTROL HOLDER CG9-51	1					
	U022836000	ESCUDO FAGOR	FAGOR EMBLEM	1					
	Q221023000	CLIP SUJECIÓN RÁPIDA Ø5	RAPID CONNECT CLIP Ø5	2					
	Q152004000	TORNIL, APLASTADO M5x13 A304	FLAT HEADED BOLT M5x13	2					
16	U032619000	BISAGRA SUPERIOR DERECHA	UPPER RIGHT HINGE	1					
	Q221342000	REMACHE EXAGONAL M5	HEXAGONAL RIVET M5	2					
17	U020511000	BISAGRA DERECHA INFERIOR	LOWER RIGHT HINGE	1					
	Q232040000	ARANDELA A6	WASHER A6	1					
	X960504000	TORNILLO DE GIRO M8	ROTATION BOLT M8	1					
	Q012042000	TORNILLO EXAGONAL M6x15 A304	HEXAGONAL BOLT M6x15 A304	2					
	Q302022000	ARANDELA 16x6x1,2 A304	WASHER 16x6x1.2 A304	2					
18	U020507000	ASA ARMARIO COMPLETO G900	FULL CUPBOARD HANDLE G900	1					
	Q162040000	TUERCA EXAGONAL M6	HEXAGONAL NUT M6	2					
	Q302022000	ARANDELA 16x6x1,2 A304	WASHER 16x6x1.2 A304	2					
19	U020536000	PUERTA LATERAL G900	SIDE DOOR G900	1					
	Q419005000	REMACHE 4x8 ALMG3 / ALUMINIO	RIVET 4X8 ALMG3 / ALUMINIUM	4					
S/Nº	X960501000	IMAN	MAGNET	2					
S/Nº	X960502000	FIJACION IMAN	MAGNET ATTACHMENT	2					
	Q012021000	TORNILLO EXAGONAL M4X10	HEXAGONAL BOLT M4x10	2					
	Q232020000	ARANDELA A4	WASHER A4	2					
20	U020504000	ASA DE HORNO COMPLETA G900	COMPL. OVEN HANDLE G900	1					
	Q012041000	TORNILLO EXAGONAL M6x10	HEXAGONAL BOLT M6x10	2					
	Q302022000	ARANDELA 16x6x1,2 A304	WASHER 16x6x1.2 A304	2					
	12038310	KIT PUERTA HORNO	OVEN DOOR KIT	1					
21	U910501000	PUERTA DE HORNO	OVEN DOOR	1					
22	U020528000	BISAGRA CIERRE HORNO	OVEN LOCK HINGE	2					
	Q152022000	TORNILLO M6x8	BOLT M6x8	6					
23	U032615000	LISTON SOPORTE PATAS 1,5 M	LEG SUPPORT STRIP 1.5 M	2					
24	U022613000	BASE BANDEJAS 1 M	TRAY BASE 1 M	1					
	Q419005000	REMACHE 4x8 ALMG3 / ALUMINIO	RIVET 4X8 ALMG3 / ALUMINIUM	2					
	Q152004000	TORNIL, APLASTADO M5x13 A304	FLAT HEADED BOLT M5x13 A304	3					

MOD.

COCINAS

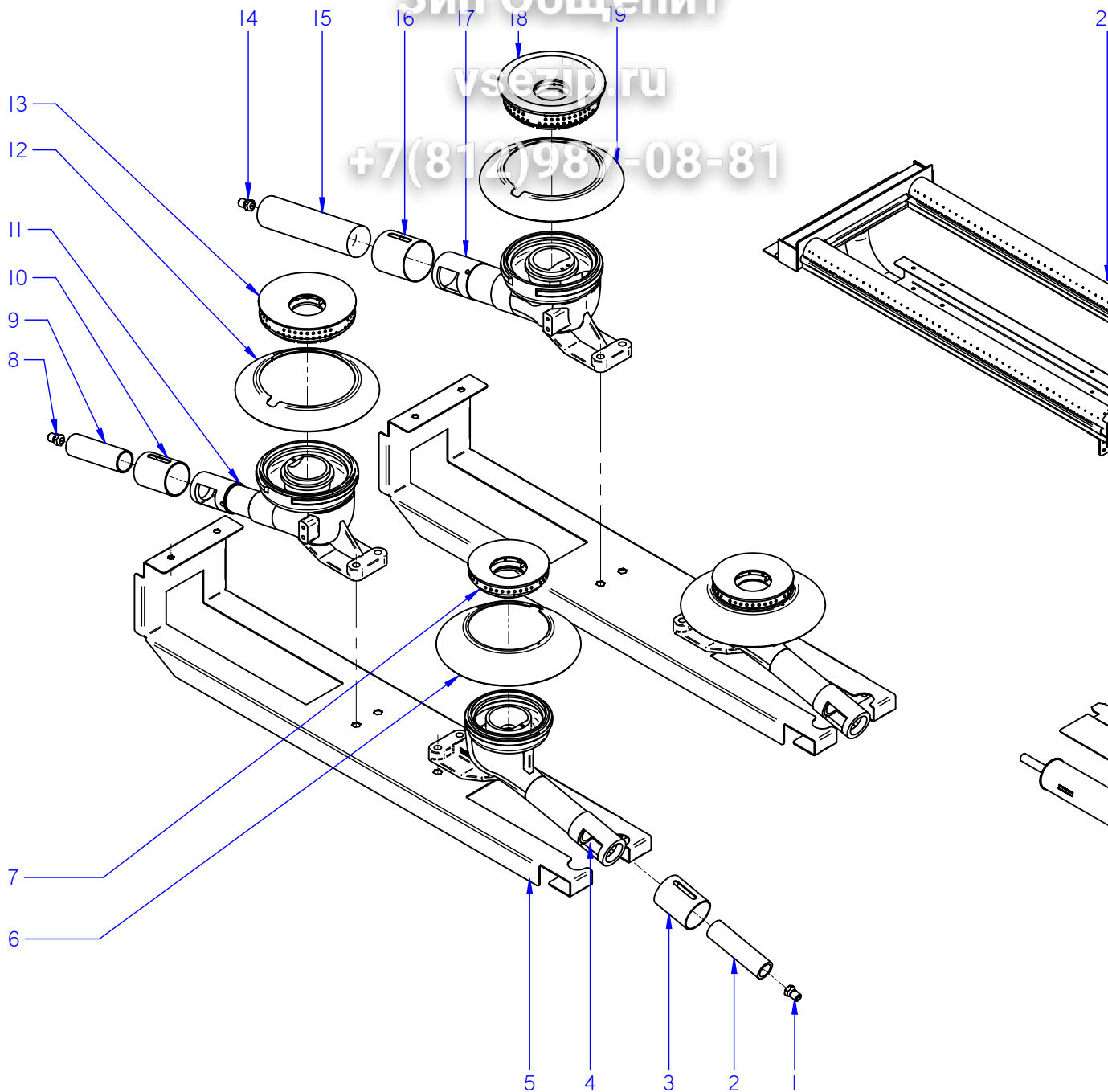
+7(812)987-08-81

ITEM	CODIGO	DENOMINACION	TEXTO	CG9-51				
25	U022843000	PORTAMANDOS LATERAL HORNO	OVEN SIDE CONTROL HOLDER	1				
25	U962829000	PORTAMAND. LATERAL HORNO AD	OVEN SIDE CONTROL HOLD. AD	1				
	Q152004000	TORNIL, APLASTADO M5x13 A304	FLAT HEADED BOLT M5x13 A304	2				
26	X162813000	PANEL LATERAL IZQUIERDO G900	LEFT SIDE PANEL G900	1				
	Q221343000	REMACHE EXAGONAL M6	HEXAGONAL RIVET M6	11				
	Q221342000	REMACHE EXAGONAL M5	HEXAGONAL RIVET M5	11				
	Q152004000	TORNILLO APLASTADO M5x13 A304	FLAT HEADED BOLT M5x13 A304	1				
	Q152004000	TORNILLO APLASTADO M5x13 A304	FLAT HEADED BOLT M5x13 A304	4				
27	X260151000	PATA REGULABLE	ADJUSTABLE LEG	4				
	Q411304000	REMACHE AVIBULB Ø 4,8	AVIBULB RIVET Ø 4.8	16				
28	U582852000	PANEL POSTERIOR 1,5 M	REAR PANEL 1.5 M	1				
	Q419005000	REMACHE 4x8 ALMG3 / ALUMINIO	RIVET 4X8 ALMG3 / ALUMINIUM	11				

Зип Общепит

vsezip.ru

+7(812)987-08-81



ITEM MARCADO EN COLOR = REPUESTO RECOMENDADO
COLOURED ITEM = RECOMMENDED SPARE PART

N plano	Firma	Fecha	Aparato	QUEMADORES	Lamina	Fogor	Industri al s. Coop.	FAGOR
C-2361	(Firma)	2009-06	COCINA	CG-51	2	Omte		

MOD.		COCINAS		ZONA		QUEMADORES / BURNERS			
ITEM	CODIGO	DENOMINACION	TEXTO	CG9-51					
1	X312400000	TOBERA Ø 1,10 BP (4000)	NOZZLE Ø 1.10 BP (4000)	2					
1	U122407000	TOBERA Ø 1,05 BP (4000)	NOZZLE Ø 1.05 BP (4000)	2					
1	R302400000	TOBERA Ø 1,65 GN (4000)	NOZZLE Ø 1.65 GN (4000)	2					
2	U125720000	VENTURI QUEMADOR 4000 kcl	VENTURI BURNER 4000 kcl	2					
3	U265702000	REGULADOR AIRE	AIR CONTROLLER	2					
	Q131542000	VARILLA ROSCADA M6 x 15	THREADED ROD M6 x 15	2					
	Q162004000	TUERCA EXAGONAL M6	HEXAGONAL NUT M6	2					
4	U025709000	CUERPO QUEMADOR 4000Kcal/H	BURNER BODY 4000 Kcal/H	2					
	Q371026000	MANGUITO DE SUJECION Ø 4x14	HANDLE Ø 4x14	2					
	Q372004000	PASADOR ELASTICO 5x20	ELASTIC PIN 5x20	2					
5	U022617000	LISTON SOP. QUEMADOR G900	BURNER SUPPORT STRIP	2					
5	U022651000	LISTON SOP. QUEMADOR G900	BURNER SUPPORT STRIP	2					
6	U025712000	PROTEC. PILOTO QUEMAD. 4000	BURNER PILOT GUARD 4000	2					
	12093788	ESPARRAGO ALLEN M3x12	ALLEN M3x12 ROD	2					
7	U445731500	QUEMADOR 4000 (00545-010)	BURNER 4000 (00545-010)	2					
7	U445731000	QUEMADOR 4000 (00545-010)	BURNER 4000 (00545-010)	2					
7	12039162	QUEMADOR 4000 4000 Kcal/H	BURNER 40004000 Kcal/H	2					
8	631000000	TOBERA Ø 1,40 BP (8000)	NOZZLE Ø 1.40 BP (8000)	1					
8	U112402000	TOBERA Ø 2,10 GN (8000)	NOZZLE Ø 2,10 GN (8000)	1					
9	U565700000	VENTURI QUEMADOR 8000	VENTURI BURNER 8000	1					
10	U265702000	REGULADOR AIRE	AIR CONTROLLER	1					
	Q132054000	VARILLA ROSCADA M6 x 12	THREADED ROD M6 x 12	1					
	Q162004000	TUERCA EXAGONAL M6	HEXAGONAL NUT M6	1					
11	U025710000	CUERPO QUEMADOR 8000 Kcal/H	BURNER BODY 8000 Kcal/h	1					
	Q372004000	PASADOR ELASTICO 5x20	ELASTIC PIN 5x20	1					
12	U915703000	PROTEC. PILOTO QUEMAD. 7000	BURNER PILOT GUARD 7000	1					
	12093788	ESPARRAGO ALLEN M3x12	ALLEN M3x12 ROD	1					
13	U135702500	QUEMADOR 8000	BURNER 8000	1					
	Q371026000	MANGUITO DE SUJECION Ø 4x14	HANDLE Ø 4x14	1					
	U565011000	TUERCA GUIA	GUIDE NUT	1					

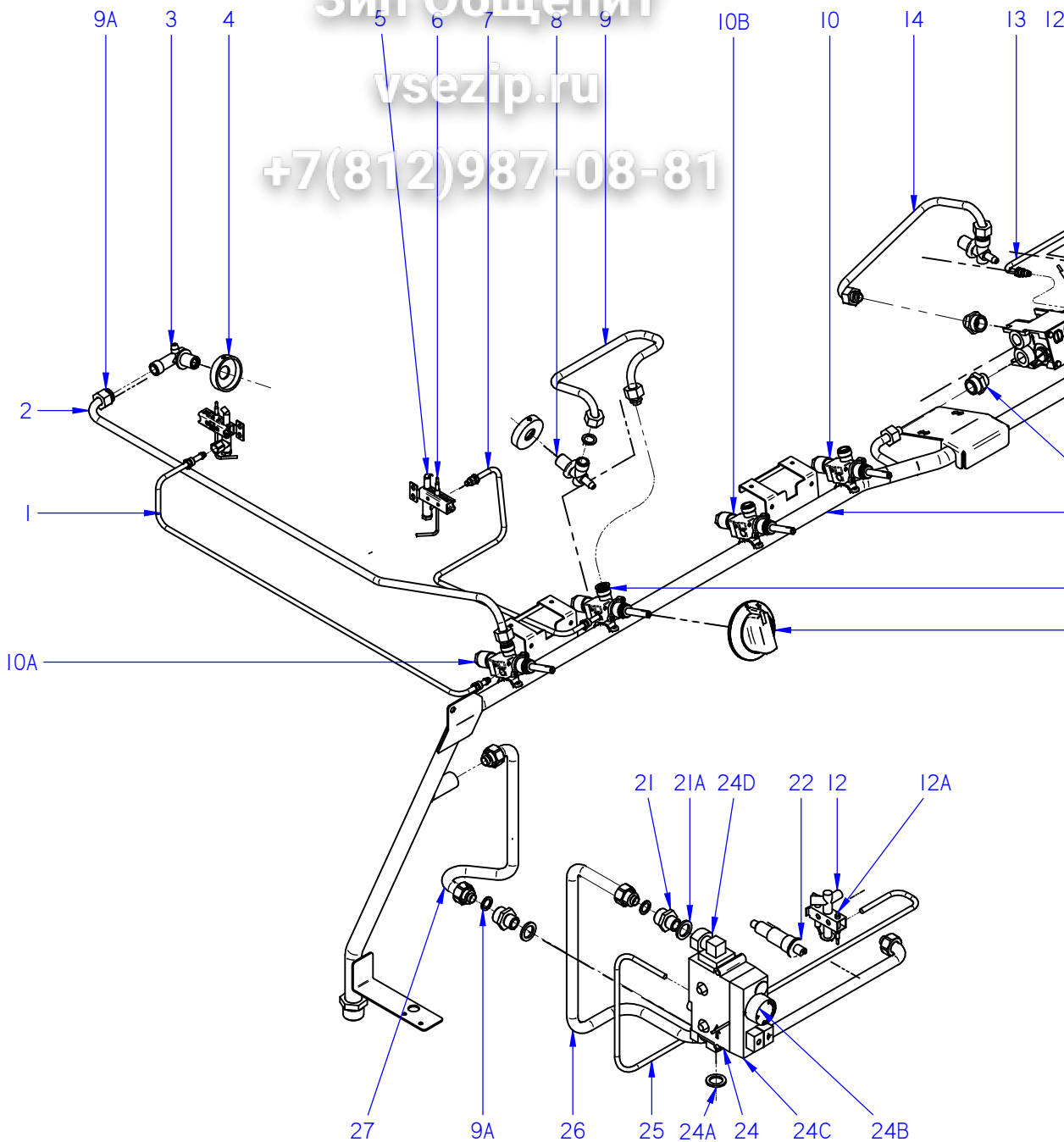
MOD.		COCINAS		ZONA		QUEMADORES / BURNERS			
ITEM	CODIGO	DENOMINACION	TEXTO	CG9-51					
14	U112401000	TOBERA Ø 1,55 BP (10500)	NOZZLE Ø 1.55 BP (10500)	1					
14	631600000	TOBERA Ø 2,40 GN (10500)	NOZZLE Ø 2.40 GN (10500)	1					
15	U235706000	VENTURI 10.500	VENTURI 10,500	1					
15	U235707000	VENTURI 10.500	VENTURI 10,500	1					
16	U025706000	REGULADOR DE AIRE 10.000	AIR CONTROL 10.000	1					
	Q132054000	VARILLA ROSCADA M6x12	THREADED ROD M6X12	1					
	Q162004000	TUERCA EXAGONAL M6	HEXAGONAL NUT M6	1					
17	U025711000	CUERPO QUEMADOR 10.000Kcal/H	BURNER BODY 10,000 Kcal/H	1					
	Q371028000	MANGUITO DE SUJECION Ø 3x14	HANDLE Ø 3x14	2					
	Q372004000	PASADOR ELASTICO 5x20	ELASTIC PIN 5x20	1					
18	U235701500	DIFUSOR 10.500 Kcal/H	DIFFUSER 10.500 Kcal/H	1					
18	12047137	DIFUSOR 10.500 (AGUJ Y PINTA)	DIFFUSER 10.500	1					
	Q012045000	TORNILLO EXAGONAL M6x30 A304	HEXAGONAL BOLT M6x30 A304	1					
	Q302022000	ARANDELA 16x6x1,2 A304	WASHER 16x6x1.2 A304	1					
19	U915703000	PROTEC. PILOTO QUEMAD. 7000	BURNER PILOT GUARD 7000	1					
	12093788	ESPARRAGO ALLEN M3x12	ALLEN M3x12 ROD	1					
20	R635700000	QUEMADOR COMPLETO FTG9-00	COMPLETE BURNER FTG-710	1					
	Q012031000	TORNILLO EXAGONAL M5x10 A304	HEXAGONAL BOLT M5X10 A304	2					
	Q302022000	ARANDELA 16x6x1,2 A304	HEXAGONAL BOLT M5X10 A304	2					
21	R045014000	TUBO ENCENDIDO COMPLETO	COMPLETE IGNITION PIPE	1					
22	R065025000	DISTANCIADOR	SPACER	1					
	Q221324000	TUERCA 3/4 GAS	NUT 3/4 GAS	1					
23	R042822000	EMBELLECED. TUBO ENCENDIDO	IGNITION PIPE TRIM	1					
24	U325707000	REGULADOR DE AIRE	AIR REGULATOR	1					
25	9105100000	TOBERA Ø 1,50 B.P.	NOZZLE Ø 1,50 B.P.	1					
25	1011600000	TOBERA Ø 2,25 G.N.	NOZZLE Ø 2,25 G.N.	1					
26	U915613000	DEFLECTOR QUEMADOR HORNO	OVEN BURNER DEFLECTOR	2					
	Q152004000	TORNIL, APLASTADO M5x13 A304	FLAT HEADED BOLT M5x13 A304	1					
	Q302022000	ARANDELA 16x6x1,2 A304	WASHER 16x6x1.2 A304	1					
27	X505724000	MANGUITO PORTATOBERAS	NOZZLE HOLDER SLEEVE	1					

MOD.		COCINAS		ZONA		QUEMADORES / BURNERS				
ITEM	CODIGO	DENOMINACION	TEXTO	CG9-51						
28	U105635000	AMARRE QUEMADOR HORNO(HG)	OVEN BURNER FASTENING (HG)	1						
	Q012031000	TORNILLO EXAGONAL M5x10 A304	HEXAGONAL BOLT M5x10 A304	2						
	Q222041000	REMACHE EXAGONAL M4 (INOX)	HEXAGONAL RIVET M4 (INOX)	4						
29	Q223019000	TUERCA 3/8 GAS LATÓN	NUT 3/8 GAS BRASS	1						
30	X505013000	REGULADOR DE AIRE POLIDORO	POLIDORO AIR CONTROL	1						
	Q031322000	TORNILLO ALOMADO M4X15	CURVED SCREW M4X15	1						
31	U105701000	QUEMADOR HORNO	OVEN BURNER.	1						
	Q042022000	TORNILLO AVELLANADO M4X15	COUNTERSUNK BOLT M4x15	4						
S/Nº	U052401000	TOBERA Ø 1,45 BP	NOZZLE Ø 1.45 BP	1						
S/Nº	U262400000	TOBERA Ø 2,15 GN	NOZZLE Ø 2.15 GN	1						

Зип Общепит

vsezip.ru

+7(812)987-08-81



ITEM MARCADO EN COLOR = REPUESTO RECOMENDADO
COLOURED ITEM = RECOMMENDED SPARE PART

N.º plano	C-2362
Firma	Ivan R.
Fecha	2016-02
Aparato	CONDUCCIONES Y GRIFOS COCINA CG9-51
Lamina	3
Fogor Industrial S. Coop. Ortore	

Зип Общепит

MOD.		COCINAS		CONDUCCIONES Y GRIFOS / PIPES AND TAPS					
ITEM	CODIGO	DENOMINACION	TEXTO	CG9-51					
1	12010670	TUBO PILOTO POST. COMPL. G900	REAR PILOT PIPE COMPL. G900	2					
S/Nº	12008715	RACORD BICONO 6 958.031	BICONE CONNECTION 6 958.031	4					
2	12009286	CON. QUEMADOR POSTE. COM. AD	REAR BURNER UNIT COMP. AD	2					
3	U915014000	PORTATOBERAS HORNO	OVEN NOZZLE HOLDER	2					
	Q153002000	TORNILLO TAPON	CAP BOLT	2					
4	U022619000	POSICIONADOR PORTATOB. 4000	NOZZLE-HOLDER POSITION. 4000	3					
S/Nº	U022620000	POSICIONADOR PORTATOB. G900	NOZZLE-HOLDER POSITION. G900	1					
5	12005260	PILOTO COMPL. COCINAS 1 LLAM	1 FLAME COMPLETE PILOT	4					
S/Nº	U442137000	INYECTOR Ø 0,4 GN	INJECTOR Ø 0.4 GN.	4					
6	U222130000	TERMOPAR L=600	THERMOCOUPLE L=600	2					
S/Nº	U262130000	TERMOPAR L=1000	THERMOCOUPLE L=1000	2					
7	12010672	TUBO PILOTO ANT. COMPLETE. G900	FRONT PILOT PIPE COMP. G900	2					
S/Nº	12008715	RACORD BICONO 6 958.031	BICONE CONNECTION 6 958.031	4					
8	U265033000	PORTATOBERAS Ø10	NOZZLE HOLDER Ø10	2					
	Q153002000	TORNILLO TAPON	CAP BOLT	2					
9	12009185	CONduc. QUEMADOR ANT.COM AD	FRONT BURNER PIPE COMPL.AD	2					
9A	12130056	JUNTA BELPA CSA90 14x10.3x3	BELPA JOINT CSA90 14x10.3x3	12					
10	U912115000	GRIFO 18700 BY-PASS 0,75	TAP 18700 BY-PASS 0.75	2					
10A	U912109000	GRIFO 18700 BY-PASS 1,15	TAP 18700 BY-PASS 1.15	1					
10B	U912117000	GRIFO 18700 BY-PASS 1,45	TAP 18700 BY-PASS 1.45	1					
S/Nº	U912104000	BRIDA AMARRE GRIFO 1/2"	TAP FASTENING FLANGE 1/2"	4					
S/Nº	Q122032000	TORNILLO ALLEN M5x15	ALLEN BOLT M5x15	4					

MOD.		COCINAS		vsezip.ru		CONDUCCIONES Y GRIFOS / PIPES AND TAPS	
ITEM	CODIGO	DENOMINACION	TEXTO	CG9-51			
11	U095006000	DISTRIBUIDOR COMPLET. CG9-51	COMPL. DISTRIBUTOR CG9-51	1			
	Q221342000	REMACHE EXAGONAL M5	HEXAGONAL RIVET M5	2			
	Q152004000	TORNILLO APLASTADO M5x13	FLAT HEAD SCREW M5X13	2			
12	12009166	PILOTO COMPLETO 100.062	COMPLETE PILOT LIGHT 100.062	2			
	U442137000	INYECTOR Ø 0.4 GN	INJECTOR Ø 0.4 GN.	2			
	Q012031000	TORNILLO EXAGONAL M5X10 A.304	HEXAGONAL BOLT M5X10 A.304	4			
12A	U562130000	TERMOPAR L=850	THERMOCOUPLE L=850	2			
12B	X022131000	BUJIA	SPARK PLUG	2			
S/Nº	U333003000	CABLE MASA ENCENDEDOR	LIGHTER EARTH CABLE	2			
S/Nº	U323030000	CABLE BUJIA	SPARK PLUG CABLE	2			
13	U095004000	TUBO PILOTO CG9-51	PILOT PIPE CG9-51	1			
14	U095002000	CONDUCC. QUEMADOR EUROSIT	BURNER PIPE EUROSIT	1			
S/Nº	U265033000	PORTATOBERAS Ø10	NOZZLE HOLDER Ø10	2			
15	U875017000	MANGUITO 3/8"-R 1/2	HOSE 3/8"	2			
16	R152102000	VALVULA 630 EUR 630.343 META	VALVE 630 EUR 630.343 META	1			
	T982102000	TAPON 3/8 972.061	CAP 3/8 972.061	2			
17	R062102000	EJE BOTON MANDO EUROSIT META	CTRL. BUTTN. SHAFT EUROSIT META	1			
	Q012031000	TORNILLO EXAGONAL M5X10 A304	HEXAGONAL BOLT M5X10 A304	1			
18	R042102000	BOTON DE MANDO FTG EUR	CONTROL BUTTON FTG EUR	1			
20	U022117000	MANDO MONT COCINA GAS Ø8	GAS COOK. ASSEMBLY CTRL Ø8	4			
21	U202103000	MANGUITO REDUCCION 1/2-3/8"	REDUCTION HOSE 1/2-3/8"	2			
	Q306058000	ARANDELA 25x17X2.5	WASHER 25x17X2.5	2			
22	S113034000	PIEZOELECTRICO	PIEZOELECTRIC	2			
22	12043897	PIEZOELECTRICO COMPLETO	COMPLETE PIEZOELECTRIC	2			
S/Nº	12043907	ANILLO ADAPTADOR	ADAPTER RING	2			

Зип Общепит

MOD. COCINAS

ЗОНА CONDUCCIONES Y GRIFOS / PIPES AND TAPS

vsezip.ru

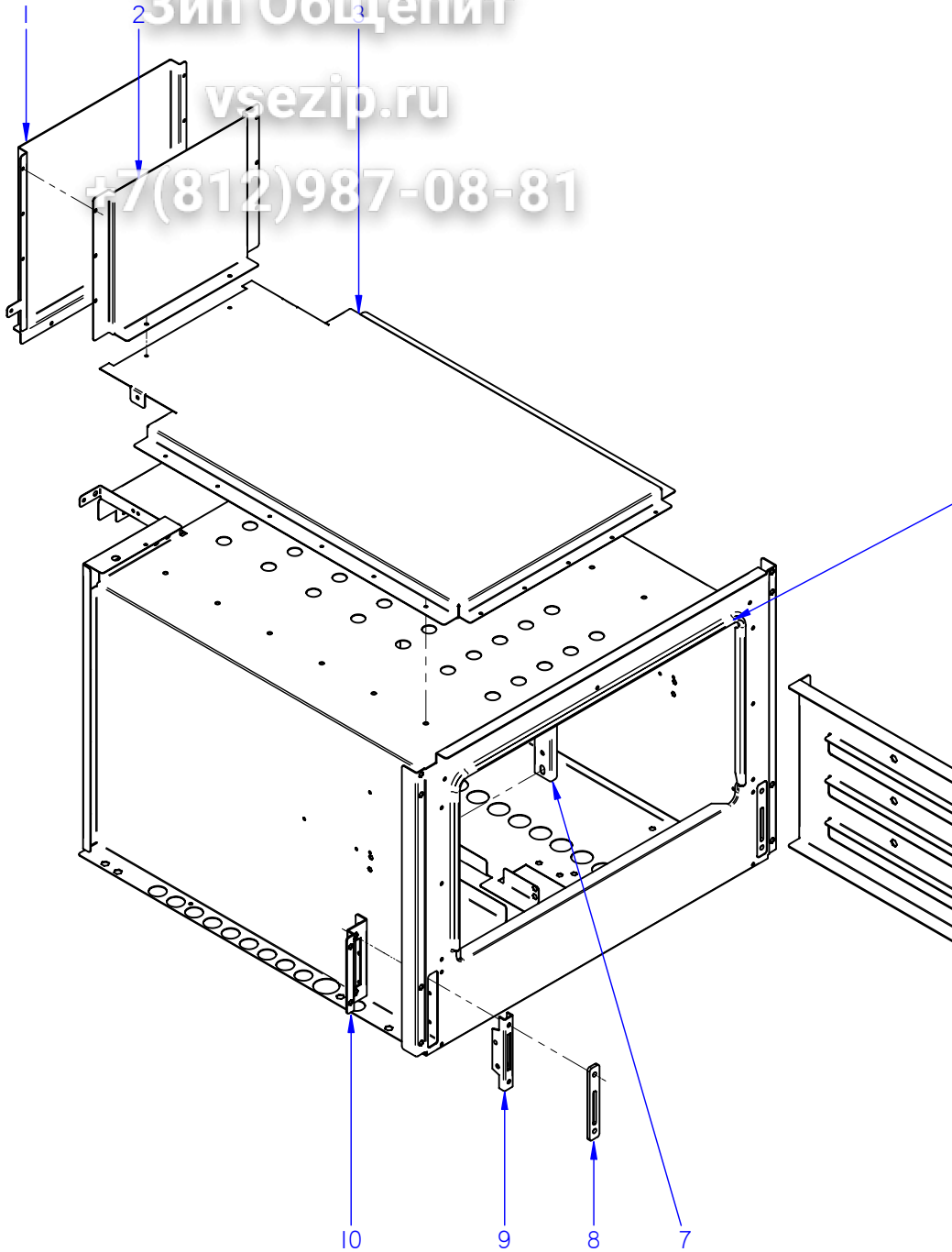
+7(812)987-08-81

ITEM	CODIGO	DENOMINACION	TEXTO	CG9-51					
24	12009530	VALVULA MINISIT 0710.654	VALVE MINISIT 0710.654	1					
24A	12010282	JUNTA TORICA 25,4x20,2x2,6	O-RING 25.4x20.2x2.6	2					
24B	12008789	MANDO NEGRO MINI 916.124	BLACK CTRL. MINI 916.124	1					
24C	12008932	CUBIERTA MINISIT 903.052	COVER MINISIT 903.052	1					
24D	12008944	RACOR 3/8 906,252	CONNECTION 3/8 906.252	8					
25	U025062000	TUBO PILOTO EUROSIT QUEM.	PILOT PIPE EUROSIT BURNER	1					
	U134323000	RACORD BICONO 6 958.031	BICONE CONNECTION 6 958.031	2					
26	U025061000	TUBO COMPLETO EUROSIT QUEMA.	COMPLETE PIPE EUROSIT BURNER	1					
27	U025050000	ENTRADA MINISIT COMPL CG900	INPUT MINISIT COMPL CG900	1					
	Q306062000	ARANDELA Ø13,9X10,33x1,5	WASHER Ø13.9X10.33x1.5	8					

Зип Общепит

vsezip.ru

+7(812)987-08-81



ITEM MARCADO EN COLOR = REPUESTO RECOMENDADO
COLOURED ITEM = RECOMMENDED SPARE PART

N plano	Firma	Fecha	Aparato	Lamina	Fagor Industrial S. Coop. FAGOR Orre
C-2363	<i>(Signature)</i>	2009-06	COCINA CG9-51	4	

Зип Общепит

vsezip.ru

+7(812)987-08-81

MOD.		COCINAS		ZONA		HORNO / OVEN	
ITEM	CODIGO	DENOMINACION	TEXTO	CG9-51			
1	U025638000	POSTERIOR CHIMENEA G900	REAR FLUEPIPE G900	1			
	Q419005000	REMACHE 4x8 ALMG3 / ALUMINIO	RIVET 4X8 ALMG3 / ALUMINIUM	14			
2	U025637000	CHIMENEA ANTERIOR G900	FRONT FLUEPIPE G900	1			
3	U022615000	CAMARA DE HUMOS G900	SMOKE CHAMBER G900	1			
	Q419005000	REMACHE 4x8 ALMG3 / ALUMINIO	RIVET 4X8 ALMG3 / ALUMINIUM	19			
4	U025623000	JUNTA PUERTA HORNO INOX.	OVEN DOOR SEAL INOX.	1			
4	U965613000	JUNTA HORNO FIBRA DE VIDRIO	FURNACE FIBERGLASS BOARD	1			
5	U915607000	GUIA LATERAL HORNO G700	OVEN SIDE GUIDE G700	2			
	Q151336000	TORNILLO SOPORTE GUIAS	GUIDE SUPPORT BOLT	4			
	Q302022000	ARANDELA 16X6X1.2 A.304	WASHER 16X6X1.2 A.304	4			
	Q221321000	REMACHE ROSCAD.NUTSERT.M6	THREADED RIVET .NUTSERT.M6	4			
6	U915616000	SUPLEMENTO AMARRE GUIA LAT.	SIDE GUIDE FAST. SUPPL.	2			
	Q412000000	REMACHE TUBULAR 4x8	TUBULAR RIVET 4x8	6			
7	U055644000	FIJACION BULBO	FASTENING BULB	1			
	Q412000000	REMACHE TUBULAR 4x8	TUBULAR RIVET 4x8	2			
8	U915619000	EMBELLECED GUIA BISAGRA	HINGE GUIDE TRIM	2			
	Q152045000	TORNILLO AMARRE M6X25	FASTENING BOLT M6X25	4			
9	U010512000	GUIA DE BISAGRA	HINGE GUIDE	2			
9	U010512000	GUIA DE BISAGRA	HINGE GUIDE	2			
9	12041846	GUIA BISAGRA G700 Y G900	HINGE GUIDE G700 Y G900	2			
10	U915604000	AMARRE GUIA BISAGRA HORNO	OVEN HINGE GUIDE FASTENING	2			
	Q221342000	REMACHE EXAGONAL M5	HEXAGONAL RIVET M5	2			
	Q412000000	REMACHE TUBULAR 4x8	TUBULAR RIVET 4x8	6			
	Q222042000	REMACHE EXAGONAL ROSCA M6	HEXAGONAL RIVET THREAD M6	4			

Зип Общепит

vsezip.ru

+7(812)987-08-81

MOD.		COCINAS		VARIOS / MISCELLANEOUS				
ITEM	CODIGO	DENOMINACION	TEXTO	CG9-51				
	U026508000	FOLLETO DE INSTRUCCIONES CG	INSTRUCTION LEAFLET CG	1				
	R636500000	RASQUETA MARTOR	MARTOR SCRAPER	1				

MOD.	COCINAS	ZONA	PIEZAS ESPECIFICAS PARA LA VERSION AUSTRALIA
-------------	----------------	-------------	---

ITEM	CODIGO	DENOMINACION	TEXTO	CG9-51			
		PIEZAS A ELIMINAR	PARTS TO BE REMOVED				
1	X312400000	TOBERA Ø 1,10 BP (4000)	NOZZLE Ø 1.10 BP (4000)	2			
1	R302400000	TOBERA Ø 1,65 GN (4000)	NOZZLE Ø 1.65 GN (4000)	2			
2	U125720000	VENTURI QUEMADOR 4000 kcl	VENTURI BURNER 4000 kcl	2			
4	U025709000	CUERPO QUEMADOR 4000Kcal/H	BURNER BODY 4000 Kcal/H	2			
7	U445731500	QUEMADOR 4000 (00545-010)	BURNER 4000 (00545-010)	2			
7	U445731000	QUEMADOR 4000 (00545-010)	BURNER 4000 (00545-010)	2			
7	12039162	QUEMADOR 4000 4000 Kcal/H	BURNER 40004000 Kcal/H	2			
14	U112401000	TOBERA Ø 1,55 BP (10500)	NOZZLE Ø 1.55 BP (10500)	1			
14	631600000	TOBERA Ø 2,40 GN (10500)	NOZZLE Ø 2.40 GN (10500)	1			
25	9105100000	TOBERA Ø 1,50 B.P.	NOZZLE Ø 1,50 B.P.	1			
25	1011600000	TOBERA Ø 2,25 G.N.	NOZZLE Ø 2,25 G.N.	1			
15	U235706000	VENTURI 10.500	VENTURI 10,500	1			
16	U025706000	REGULADOR DE AIRE 10.000	AIR CONTROL 10.000	1			
17	U025711000	CUERPO QUEMADOR 10.000Kcal/H	BURNER BODY 10,000 Kcal/H	1			
18	U235701500	DIFUSOR 10.500 Kcal/H	DIFFUSER 10.500 Kcal/H	1			
18	12047137	DIFUSOR 10.500 (AGUJ Y PINTA)	DIFFUSER 10.500	1			
10	U912115000	GRIFO 18700 BY-PASS 0,75	TAP 18700 BY-PASS 0.75	2			
10	U912117000	GRIFO 18700 BY-PASS 1,45	TAP 18700 BY-PASS 1.45	1			
		PIEZAS A INTRODUCIR	PARTS TO BE INCLUDED				
8	631000000	TOBERA Ø 1,40 BP (8000)	NOZZLE Ø 1.40 BP (8000)	3			
8	U054400000	TOBERA Ø 2,50 GN (8000)	NOZZLE Ø 2,50 GN (8000)	4			
9	U565700000	VENTURI QUEMADOR 8000	VENTURI BURNER 8000	3			
10	U265702000	REGULADOR AIRE	AIR CONTROLLER	1			
11	U025710000	CUERPO QUEMADOR 8000 Kcal/H	BURNER BODY 8000 Kcal/h	3			
12	U915703000	PROTEC. PILOTO QUEMAD. 7000	BURNER PILOT GUARD 7000	2			
13	U135702500	QUEMADOR 8000	BURNER 8000	3			
25	N502401000	TOBERA Ø 1,70 B.P.	NOZZLE Ø 1,70 B.P.	1			
25	U122408000	TOBERA Ø 2,95 G.N.	NOZZLE Ø 2,95 G.N.	1			
10	U912109000	GRIFO 18700 BY-PASS 1,15	TAP 18700 BY-PASS 1.15	3			

