

Зип Общепит

vsezip.ru

DESPIECE TECNICO

+7(812)987-08-81

Fry-tops a gas
Gas fry-tops
Fry-tops à gaz
Gas-griddle-platten
Fry-tops a gas
Fry-tops a gás

GAMA SNACK

Modelos:

FTG6-05

FTG6-10

FTG/C6-05

FTG/C6-10

Junio 2009 June

Revisado Mayo 2013 May Revised

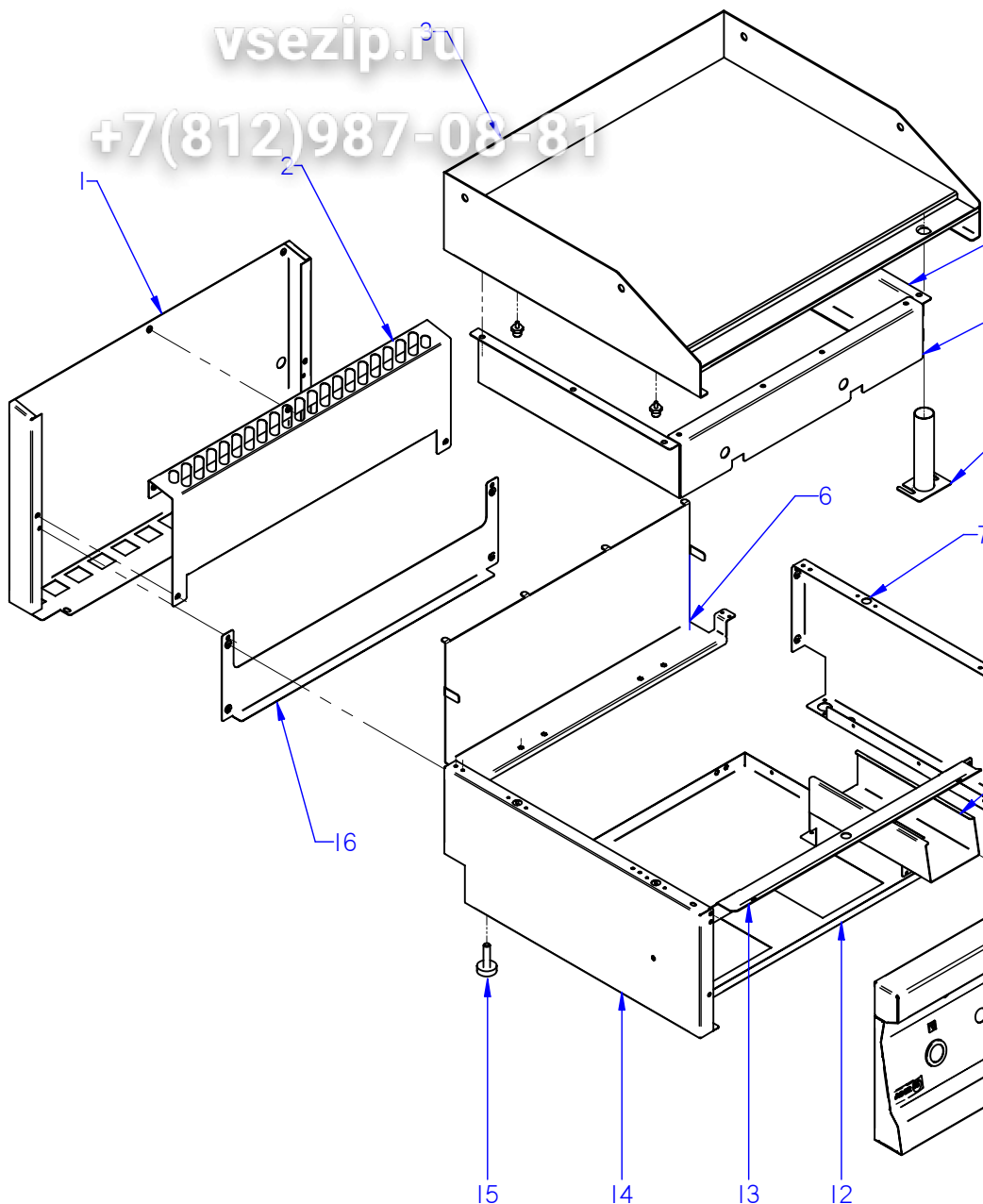


F A G O R I N D U S T R I A L

Зип Общепит

vsezip.ru

+7(812)987-08-81



ITEM MARCADO EN COLOR = REPUUESTO RECOMENDADO
COLOURED ITEM = RECOMMENDED SPARE PART

N plano	C-2385
Firma	<i>(Firma)</i>
Fecha	2009-06
Aparato	FRY-TOP FTG6-05; -10; FTG/C6-05; -10
MUEBLE	
Lamina	1
Order	Fagor Industrial S. Coop. FAGOR

MOD.	FRY-TOP		ZONA	MUEBLE / UNIT			
ITEM	CODIGO	DENOMINACION	TEXTO	FTG6-05	FTG6-10	FTG/C6-05	FTG/C6-10
1	J142809000	PROTECC. CHIMENEA POST. 400	PROTECTION CHIMEMEY POS.	1	—	1	—
1	J142815000	PROTECTOR CHIMENEA FRYES 400	PROTECTION CHIMEMEY POS.	1	—	1	—
1	J142812000	PROTECC. CHIMENEA POST. 600	PROTECTION CHIMEMEY POS.	—	1	—	1
1	J142816000	PROTECTOR CHIMENEA POST 600	PROTECTION CHIMEMEY POS.	—	1	—	1
2	J142810000	PROTECCION CHIMENEA ANT. 400	PROTECTION CHIMENEY ANT	1	—	1	—
2	J142829000	PROTECCION CHIMENEA FREID.	PROTECTION CHIMENEY	1	—	1	—
2	12041345	PROT. CHIME. 400 FRY-TOP SNACK	400 FRY-TOP SNACK PROT.CHI.	1	—	1	—
2	J142813000	PROTECCION CHIMENEA ANT. 600	PROTECTION CHIMENEY ANT	—	1	—	1
2	J142830000	PROTECCION CHIMENEA ANT. 600	PROTECTION CHIMENEY ANT	—	1	—	1
2	12041347	PROT. CHIME. 600 FRY-TOP SNACK	600 FRY-TOP SNACK PROT.CHI.	—	1	—	1
	Q012031000	TORNILLO EXAGONAL M5x10 A304	HEXAGONAL BOLT M5x10 A304	4	4	4	4
	Q302022000	ARANDELA 16x6x1,2 A304	WASHER 16x6x1.2 A304	4	4	4	4
	Q221342000	REMACHE EXAGONAL M5	HEXAGONAL RIVET M5	3	3	3	3
3	J105431000	PLANCHA SNACK G 400 L	PLATE SNACK G 400 L	1	—	—	—
3	12046304	PLANCHA FTG6-05 L COMPL.	PLATE FTG6-05 L COMPL.	1	—	—	—
3	J105437000	PLANCHA SNACK G 400 R	PLATE SNACK G 400 R	1	—	—	—
3	12046305	PLANCHA FTG6-05 R COMPL.	PLATE FTG6-05 R COMPL.	1	—	—	—
3	J105439000	PLANCHA SNACK G 600 L	PLATE SNACK G 600 L	—	1	—	—
3	12046341	PLANCHA FTG6-10 L COMPL.	PLATE FTG6-10 L COMPL.	—	1	—	—
3	J105440000	PLANCHA SNACK G 600 R	PLATE SNACK G 600 R	—	1	—	—
3	12046345	PLANCHA FTG6-10 R COMPL.	PLATE SNACK FTG6-10 R COMPL.	—	1	—	—
3	J105443000	PLANCH.COMPL.SNACK G 600 L+R	PLATE SNACK G 600 L+R	—	1	—	—
3	12046342	PLANCHA FTG6-10 L+R COMPL.	PLATE FTG6-10 L+R COMPL.	—	1	—	—
3	J105459000	PLANCHA SNACK G 400 L CD	PLATE SNACK G 400 L CD	—	—	1	—
3	12046306	PLANCHA FTG/C6-05 L COMPL.	PLATE FTG/C6-05 L COMPL.	—	—	1	—
3	J105461000	PLANCHA SNACK G 600 L CD	PLATE SNACK G 600 L CD	—	—	—	1
3	12046353	PLANCHA FTG/C6-10 L COMPL.	PLATE FTG/C6-10 L COMPL.	—	—	—	1
3	J105463000	PLANCHA SNACK G 600 L+R	PLATE SNACK G 600 L+R	—	—	—	1
3	12046354	PLANCHA FTG/C6-10 L+R COMPL.	PLATE FTG/C6-10 L+R COMPL.	—	—	—	1
S/Nº	J105436000	APOYO PLANCHA FRY-TOP	PLATE SUPPORT	4	4	4	4
	Q221342000	REMACHE EXAGONAL M5	HEXAGONAL RIVET M5	6	6	6	6

MOD.		FRY-TOP		ZONA		MUEBLE / UNIT			
ITEM	CODIGO	DENOMINACION	TEXTO	FTG6-05	FTG6-10	FTG/C6-05	FTG/C6-10		
4	J102602000	LATERAL CAJA COMBUSTION	COMBUSTION BOX SIDE	2	2	2	2		
	Q012042000	TORNILLO EXAGONAL M6X15	HEXAGONAL BOLT M6X15	6	6	6	6		
	Q302022000	ARANDELA 16X6X1.2 A.304	WASHER 16X6X1.2 A.304	6	6	6	6		
5	J102608000	FRONTAL FTG6-05	FRONT FTG6-05	1	-	-	-		
5	J102603000	FRONTAL FTG6-10	FRONT FTG6-10	-	1	-	-		
5	J102619000	FRONTAL FTG6-05 TERM.	FRONT FTG6-05 TERM.	-	-	1	-		
5	J102609000	FRONTAL FTG6-10 CD TERM.	FRONT FTG6-10 CD TERM.	-	-	-	1		
	Q012042000	TORNILLO EXAGONAL M6X15	HEXAGONAL BOLT M6X15	2	2	2	2		
	Q302022000	ARANDELA 16X6X1.2 A.304	WASHER 16X6X1.2 A.304	2	2	2	2		
5a	12040911	TUBO VACIADO FRY-TOP SNACK	FRY-TOP SNACK DRAIN PIPE	1	1	1	1		
6	J102614000	SOPORTE BURNER FTG6-05	SOPOR, BURNER FTG6-05	1	-	1	-		
6	J102615000	SOPORTE BURNER FTG6-10	SOPOR, BURNER FTG6-10	-	1	-	1		
	Q419005000	REMACHE 4X8 ALMG3 / ALUMINIO	RIVET 4X8 ALMG3 / ALUMINIUM	4	4	4	4		
7	J002802000	PANEL LATERAL DERECHO	RIGHT SIDE PANEL	1	1	1	1		
7	J002834000	PANEL LATERAL DERECHO	RIGHT SIDE PANEL	1	1	1	1		
	Q419007000	REMACHE TUBULAR C/V D3.2X6	TUBULAR RIVET C/V D3.2X6	8	8	8	8		
	X010503000	CIERRE MUELLE	LOCK SPRING	4	4	4	4		
	Z442918000	CLIP CIERRE	LOCK SPRING	4	4	4	4		
8	J112602000	GUIA RECOGEGRASAS FRY-TOP	GREASE COLLECTION GUIDE	1	1	1	1		
	Q419005000	REMACHE 4X8 ALMG3 / ALUMINIO	RIVET 4X8 ALMG3 / ALUMINIUM	4	4	4	4		
9	J105432000	ANTERIOR FRY-TOP 400	FRONT FRY-TOP 400	1	-	1	-		
9	J105434000	ANTERIOR FRY-TOP 600	FRONT FRY-TOP 600	-	1	-	1		
10	J112810000	CAJA RECOGEGRASAS	GREASE COLLECTION TRAY	1	1	1	1		
11	J102802000	PORTAMANDOS COMPL. FTG6-05	CONTROL HOLDER FTG6-05	1	-	-	-		
11	J102804000	PORTAMANDOS COMPL. FTG6-10	CONTROL HOLDER FTG6-10	-	1	-	-		
11	J102824000	PORTAMANDOS COMP. FTG6-05 CD	CONTROL HOLDER FTG6-05 CD	-	-	1	-		
11	J102822000	PORTAMANDOS COMP. FTG6-10 CD	CONTROL HOLDER FTG6-10 CD	-	-	-	1		
	U022836000	ESCUDO FAGOR	FAGOR EMBLEM	1	1	1	1		
	Q221023000	CLIP SUJECIÓN RÁPIDA Ø5	RAPID CONNECT CLIP Ø5	2	2	2	2		
	Q419005000	REMACHE 4x8 ALMG3 / ALUMINIO	RIVET 4X8 ALMG3 / ALUMINIUM	6	6	6	6		
	Q012031000	TORNILLO EXAGONAL M5x10 A304	HEXAGONAL BOLT M5x10 A304	2	2	2	2		

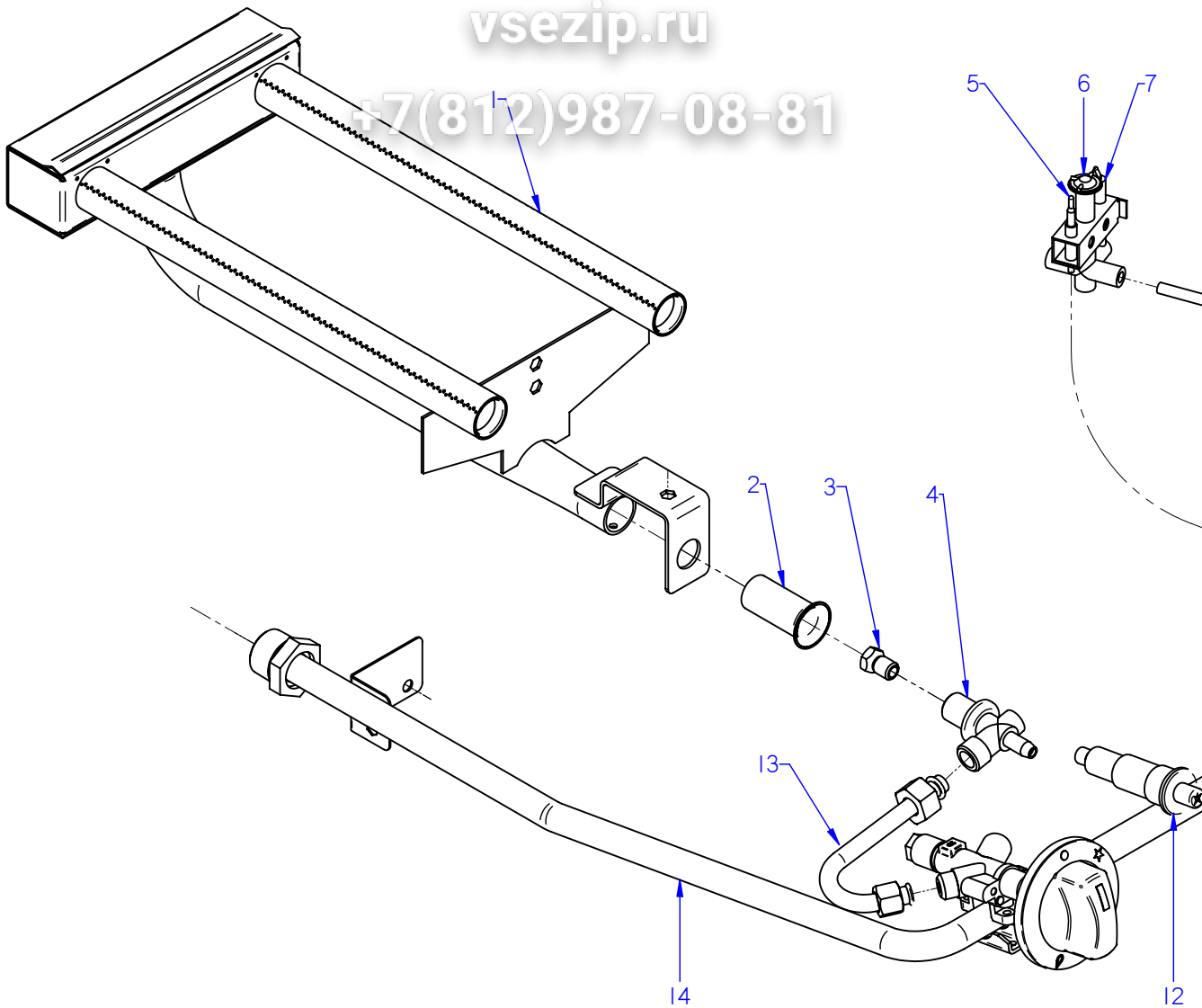
MOD.	FRY-TOP	ZONA	MUEBLE / UNIT
-------------	----------------	-------------	----------------------

ITEM	CODIGO	DENOMINACION	TEXTO	FTG6-05	FTG6-10	FTG/C6-05	FTG/C6-10
12	J102611000	BASE INFERIOR FTG6-05 SNACK	LOWER BASE FTG6-05 SNACK	1	_	1	_
12	J102612000	BASE INFERIOR FTG6-10 SNACK	LOWER BASE FTG6-10 SNACK	_	1	_	1
	Q419005000	REMACHE 4X8 ALMG3 / ALUMINIO	RIVET 4X8 ALMG3 / ALUMINIUM	6	6	6	6
13	J102616000	GUÍA PANEL FRY-TOP 400	GUIDE PANEL FRY-TOP 400	1	_	1	_
13	12002559	GUÍA PANEL OF CONTROLS 400	GUIDE PAN. OF CONTROLS 400	1	_	1	_
13	J102617000	GUÍA PANEL FRY-TOP 600	GUIDE PANEL FRY-TOP 600	_	1	_	1
13	12002749	GUÍA PANEL OF CONTROLS 600	GUIDE PAN. OF CONTROLS 600	_	1	_	1
	Q221342000	REMACHE EXAGONAL M5	HEXAGONAL RIVET M5	4	4	4	4
	Q012031000	TORNILLO EXAGONAL M5x10 A304	HEXAGONAL BOLT M5x10 A304	4	4	4	4
14	J002801000	PANEL LATERAL IZQUIERDO	LEFT SIDE PANEL	1	1	1	1
14	J002833000	PANEL LATERAL IZQUIERDO	LEFT SIDE PANEL	1	1	1	1
	Q221342000	REMACHE EXAGONAL M5	HEXAGONAL RIVET M5	1	1	1	1
	Q419007000	REMACHE TUBULAR C/V D3.2X6	TUBULAR RIVET C/V D3.2X6	8	8	8	8
	X010503000	CIERRE MUELLE	LOCK SPRING	4	4	4	4
	Z442918000	CLIP CIERRE	LOCK SPRING	4	4	4	4
15	Z200107000	PATA REGULABLE	ADJUSTABLE LEG	4	4	4	4
16	J112803000	PANEL POSTERIOR FRY-TOP 400	REAR PANEL FRY-TOP 400	1	_	1	_
16	J112809000	PANEL POSTERIOR FRY-TOP 600	REAR PANEL FRY-TOP 600	_	1	_	1
	Q419005000	REMACHE 4x8 ALMG3 / ALUMINIO	RIVET 4X8 ALMG3 / ALUMINIUM	4	4	4	4

Зип Общепит

vsezip.ru

+7(812)987-08-81



N plano
C-2386

Firma
Irene Gerasimova

Fecha
2009-06

Aparato

FRY-TOP FTG6-05 / FTG6-10

CONJUNTO FUNCIONAL

Lamina
2

Fagor Industrial S. Coop.
Ortfe



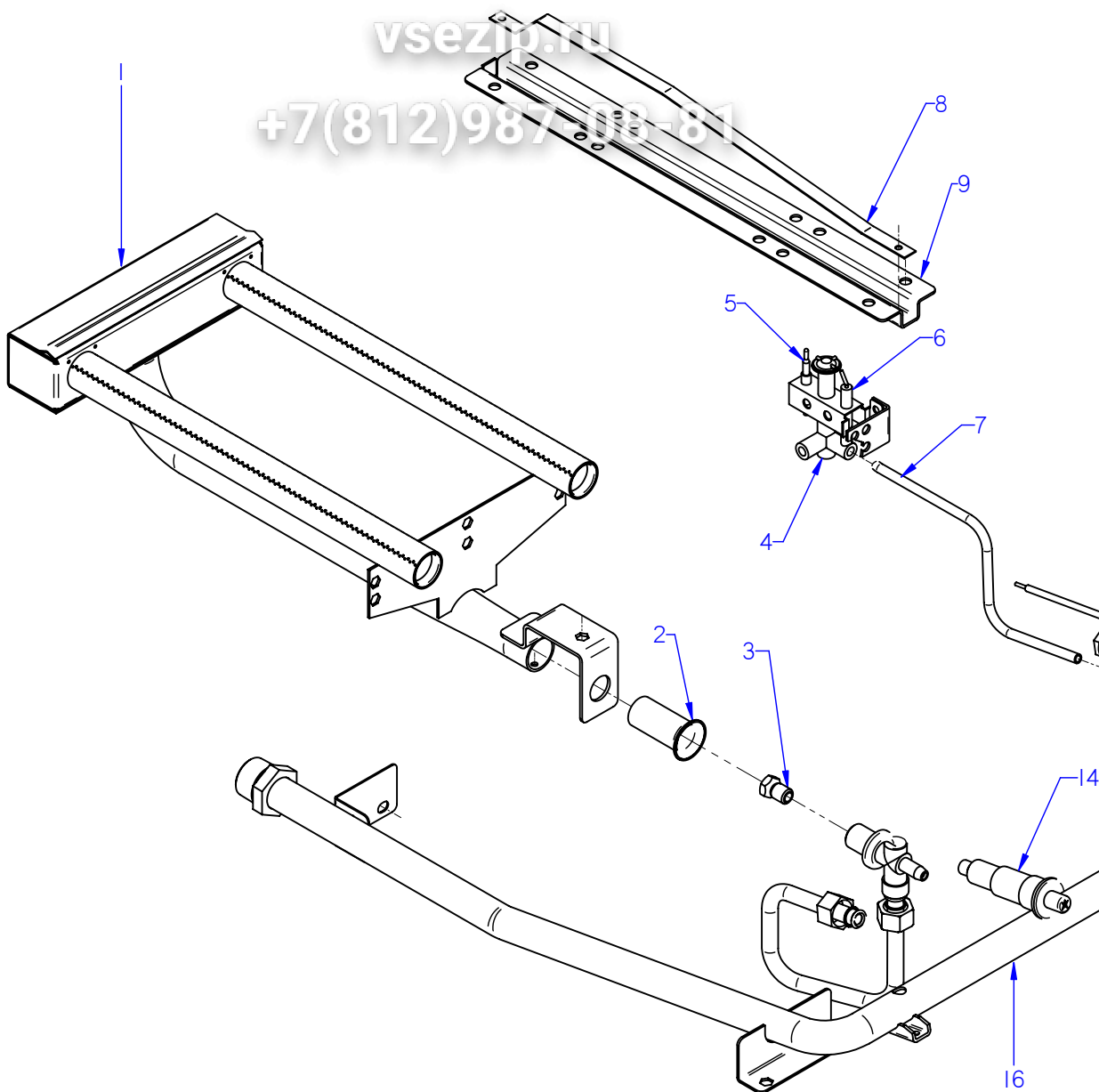
ITEM MARCADO EN COLOR = REPUESTO RECOMENDADO
COLOURED ITEM = RECOMMENDED SPARE PART

MOD.		FRY-TOP		ZONA		CONJUNTO FUNCIONAL / FUNCTIONAL U			
ITEM	CODIGO	DENOMINACION	TEXTO	FTG6-05	FTG6-10				
1	J105717000	QUEMADOR FRY-TOP SNACK	COMPLETE BURNER FTG-710	1	2				
	Q221342000	REMACHE EXAGONAL M5	HEXAGONAL RIVET M5	3	6				
	Q012031000	TORNILLO EXAGONAL M5X10 A.304	HEXAGONAL BOLT M5X10 A.304	3	6				
	Q302022000	ARANDELA 16X6X1.2 A.304	WASHER 16X6X1.2 A.304	3	6				
2	U325707000	REGULADOR DE AIRE	AIR REGULATOR	1	2				
	Q012032000	TORNILLO EXAGONAL M5X15 A.304	HEXAGONAL BOLT M5X15 A.304	1	2				
3	U122407000	TOBERA DE Ø 1,05 B.P.	NOZZLE Ø 1,05 B.P.	1	-				
3	R302400000	TOBERA DE Ø 1,65 G.N.	NOZZLE Ø 1,65 G.N.	1	-				
3	J142400000	TOBERA DE Ø 0,90 B.P.	NOZZLE Ø 0,90 B.P.	-	2				
3	R612400000	TOBERA DE Ø 1,35 G.N.	NOZZLE Ø 1,35 G.N.	-	2				
4	U265033000	PORTATOBERAS Ø10	NOZZLE HOLDER Ø10	1	2				
	Q223019000	TUERCA 3/8 GAS LATÓN	NUT 3/8 GAS BRASS	1	2				
	Q301323000	ARANDELA Ø25X17X6	WASHER Ø25X17X6	1	2				
5	U222130000	TERMOPAR L=600	THERMOCOUPLE L=600	1	2				
6	U322118000	PILOTO COMPLETO 100.062	COMPLETE PILOT LIGHT 100.062	1	2				
	Q012031000	TORNILLO EXAGONAL M5X10 A.304	HEXAGONAL BOLT M5X10 A.304	2	4				
7	X022131000	BUJIA	SPARK PLUG	1	2				
S/Nº	R613030000	CABLE BUJIA	SPARK PLUG CABLE	1	2				
S/Nº	U333003000	CABLE MASA ENCENDEADOR	LIGHTER EARTH CABLE	1	2				
8	J105009000	TUBO PILOTO FTG SNACK	PILOT PIPE FTG SNACK	1	2				
8	J105019000	TUBO PILOTO FTG SNACK	PILOT PIPE FTG SNACK	1	2				
S/Nº	U134323000	RACORD BICONO 6 958.031	BICONE CONNECTION 6 958.031	2	4				
9	J102101000	GRIFO ACAL 20705	TAP ACAL 20705	1	2				
10	J102102000	BOTÓN DE MANDO FTG SNACK	CONTROL BUTTON FTG SNACK	1	2				
11	Z982018000	BRIDA AMARRE TERMOSTATO	FASTENING FLANGE TERMOST	1	2				
	Q011353000	TORNILLO EXAGONAL M5X30	HEXAGONAL BOLT M5X30	2	4				
12	S113034000	PIEZOELECTRICO	PIEZOELECTRIC	1	2				
12	12043897	PIEZOELECTRICO COMPLETO	COMPLETE PIEZOELECTRIC	1	2				
S/Nº	12043907	ANILLO ADAPTADOR	ADAPTER RING	1	2				
13	J105011000	CONDUC. QUEMADOR FTG SNACK	BURNER PIPE FTG SNACK	1	2				
13	J105018000	CONDUC. QUEMADOR FTG SNACK	BURNER PIPE FTG SNACK	1	2				

Зип Общепит

vsezip.ru

+7(812)987-08-81



ITEM MARCADO EN COLOR = REPUUESTO RECOMENDADO
COLOURED ITEM = RECOMMENDED SPARE PART

N plano	Firma	Fecha	Aparato	COMUNTO FUNCIONAL	Lamina	Fagor Industrial S. Coop. FAGOR Onate
C-2386a	<i>(Signature)</i>	2011-07	FRY-TOP FTG/C6-05; FTG/C6-10		3	

MOD.		FRY-TOP		ZONA		CONJUNTO FUNCIONAL / FUNCTIONAL U			
ITEM	CODIGO	DENOMINACION	TEXTO	FTG/C6-05	FTG/C6-10				
1	J105717000	QUEMADOR FRY-TOP SNACK	COMPLETE BURNER FTG-710	1	2				
	Q221342000	REMACHE EXAGONAL M5	HEXAGONAL RIVET M5	3	6				
	Q012031000	TORNILLO EXAGONAL M5X10 A.304	HEXAGONAL BOLT M5X10 A.304	3	6				
	Q302022000	ARANDELA 16X6X1.2 A.304	WASHER 16X6X1.2 A.304	3	6				
2	U325707000	REGULADOR DE AIRE	AIR REGULATOR	1	2				
	Q012032000	TORNILLO EXAGONAL M5X15 A.304	HEXAGONAL BOLT M5X15 A.304	1	2				
3	U122407000	TOBERA DE Ø 1,05 B.P.	NOZZLE Ø 1,05 B.P.	1	-				
3	R302400000	TOBERA DE Ø 1,65 G.N.	NOZZLE Ø 1,65 G.N.	1	-				
3	J142400000	TOBERA DE Ø 0,90 B.P.	NOZZLE Ø 0,90 B.P.	-	2				
3	R612400000	TOBERA DE Ø 1,35 G.N.	NOZZLE Ø 1,35 G.N.	-	2				
4	R202100000	CONJUNTO SOP. PILOTO COMP.	COMP. PILOT SUPP. UNIT	1	2				
5	U222130000	TERMOPAR L=600	THERMOCOUPLE L=600	1	2				
6	X022131000	BUJIA	SPARK PLUG	1	2				
S/Nº	R613030000	CABLE BUJIA	SPARK PLUG CABLE	1	2				
S/Nº	U333003000	CABLE MASA ENCENDEDOR	LIGHTER EARTH CABLE	1	2				
7	J105029000	TUBO PILOTO FTG SNACK	PILOT PIPE FTG SNACK	1	1				
7	J105028000	TUBO PILOTO FTG SNACK	PILOT PIPE FTG SNACK	-	1				
S/Nº	U134323000	RACORD BICONO 6 958.031	BICONE CONNECTION 6 958.031	1	2				
S/Nº	X205028000	BICONO Ø6	BICONE Ø6	1	1				
S/Nº	U195009000	MANGUITO EMPALME	SPLICE SLEEVE	1	1				
8	R162632000	SOPORTE BULBO	BULB HOLDER	1	1				
9	R162631000	BASE SOPORTE BULBO	SUPPORT BASE BULB	1	1				
	Q419005000	REMACHE 4X8 ALMG3 / ALUMINIO	RIVET 4X8 ALMG3 / ALUMINIUM	2	2				
	Q012041000	TORNILLO EXAGONAL M6X10 A.304	HEXAGONAL BOLT M6X10 A.304	4	4				
10	U265033000	PORTATOBERAS Ø10	NOZZLE HOLDER Ø10	1	2				
	Q223019000	TUERCA 3/8 GAS LATÓN	NUT 3/8 GAS BRASS	1	2				
	Q301323000	ARANDELA Ø25X17X6	WASHER Ø25X17X6	1	2				
11	J105025000	CONDUC. QUEMADOR FTG G600	BURNER PIPE FTG G600	1	2				
12	U742130000	TERMOSTATO MTZ-7200-0.5	THERMOSTAT MTZ-7200-0.5	1	2				
S/Nº	J022103000	BY-PASS 0,7 TERMOST MTZ-7200	BY-PASS 0,7 TERMOST MTZ-7200	1	2				
	Q307034000	JUNTA ESTANQUEIDAD	SEALING SEAL	1	2				

MOD.	FRY-TOP	ZONA	CONJUNTO FUNCIONAL / FUNCTIONAL U
-------------	----------------	-------------	--

ITEM	CODIGO	DENOMINACION	TEXTO	FTG/C6-05	FTG/C6-10			
13	J022102000	BOTON DE MANDO	CONTROL BUTTON	1	2			
14	S113034000	PIEZOELECTRICO	PIEZOELECTRIC	1	2			
14	12043897	PIEZOELECTRICO COMPLETO	COMPLETE PIEZOELECTRIC	1	2			
S/N°	12043907	ANILLO ADAPTADOR	ADAPTER RING	1	2			
15	Z982018000	BRIDA AMARRE TERMOSTATO	FASTENING FLANGE TERMOST	1	2			
	Q011353000	TORNILLO EXAGONAL M5X30	HEXAGONAL BOLT M5X30	2	4			
16	J105021000	CONDUCCION GENERAL FTG6-05	MAIN PIPE FTG6-05	1	-			
16	J105027000	CONDUCCION GENERAL FTG6-10	MAIN PIPE FTG6-10	-	1			
	Q012031000	TORNILLO EXAGONAL M5X10 A.304	HEXAGONAL BOLT M5X10 A.304	4	6			
	Q302022000	ARANDELA Ø16X6X1.2 A.304	WASHER 16X6X1.2 A.304	4	4			
	Q221342000	REMACHE EXAGONAL M5	HEXAGONAL RIVET M5	2	2			

MOD.	FRY-TOP		REPUESTOS RECOMENDADOS RECOMMENDED SPARE PART
-------------	----------------	--	--

ITEM	CODIGO	DENOMINACION	TEXTO	FTG6-05	FTG6-10	FTG/C6-05	FTG/C6-10
5	U222130000	TERMOPAR L=600	THERMOCOUPLE L=600	1	2	-	-
6	U322118000	PILOTO COMPLETO 100.062	COMPLETE PILOT LIGHT 100.062	1	2	-	-
7	X022131000	BUJIA	SPARK PLUG	1	2	-	-
S/Nº	R613030000	CABLE BUJIA	SPARK PLUG CABLE	1	2	-	-
9	J102101000	GRIFO ACAL 20705	TAP ACAL 20705	1	2	-	-
12	12043897	PIEZOELECTRICO COMPLETO	COMPLETE PIEZOELECTRIC	1	2	-	-
S/Nº	12043907	ANILLO ADAPTADOR	ADAPTER RING	1	2	-	-
4	R202100000	CONJUNTO SOP. PILOTO COMP.	COMP. PILOT SUPP. UNIT	-	-	1	2
5	U222130000	TERMOPAR L=600	THERMOCOUPLE L=600	-	-	1	2
6	X022131000	BUJIA	SPARK PLUG	-	-	1	2
S/Nº	R613030000	CABLE BUJIA	SPARK PLUG CABLE	-	-	1	2
12	U742130000	TERMOSTATO MTZ-7200-0.5	THERMOSTAT MTZ-7200-0.5	-	-	1	2
S/Nº	J022103000	BY-PASS 0,7 TERMOST MTZ-7200	BY-PASS 0,7 TERMOST MTZ-7200	-	-	1	2
14	12043897	PIEZOELECTRICO COMPLETO	COMPLETE PIEZOELECTRIC	-	-	1	2
S/Nº	12043907	ANILLO ADAPTADOR	ADAPTER RING	-	-	1	2