

**Зип Общепит**

**vsezip.ru**

---

**DESPIECE TECNICO / SPARE PARTS BOM**

---

**+7(812)987-08-81**

**Hornos eléctricos  
Fours électriques  
Electric ovens  
Elektro heissluftdämpfer  
Forni elettrici  
Fornos eletricos**

**Modelos / Models:**

**AE-202  
ACE-202  
APE-202**

***Julio 2012 July***

***Revisado Abril 2016 April Revised***



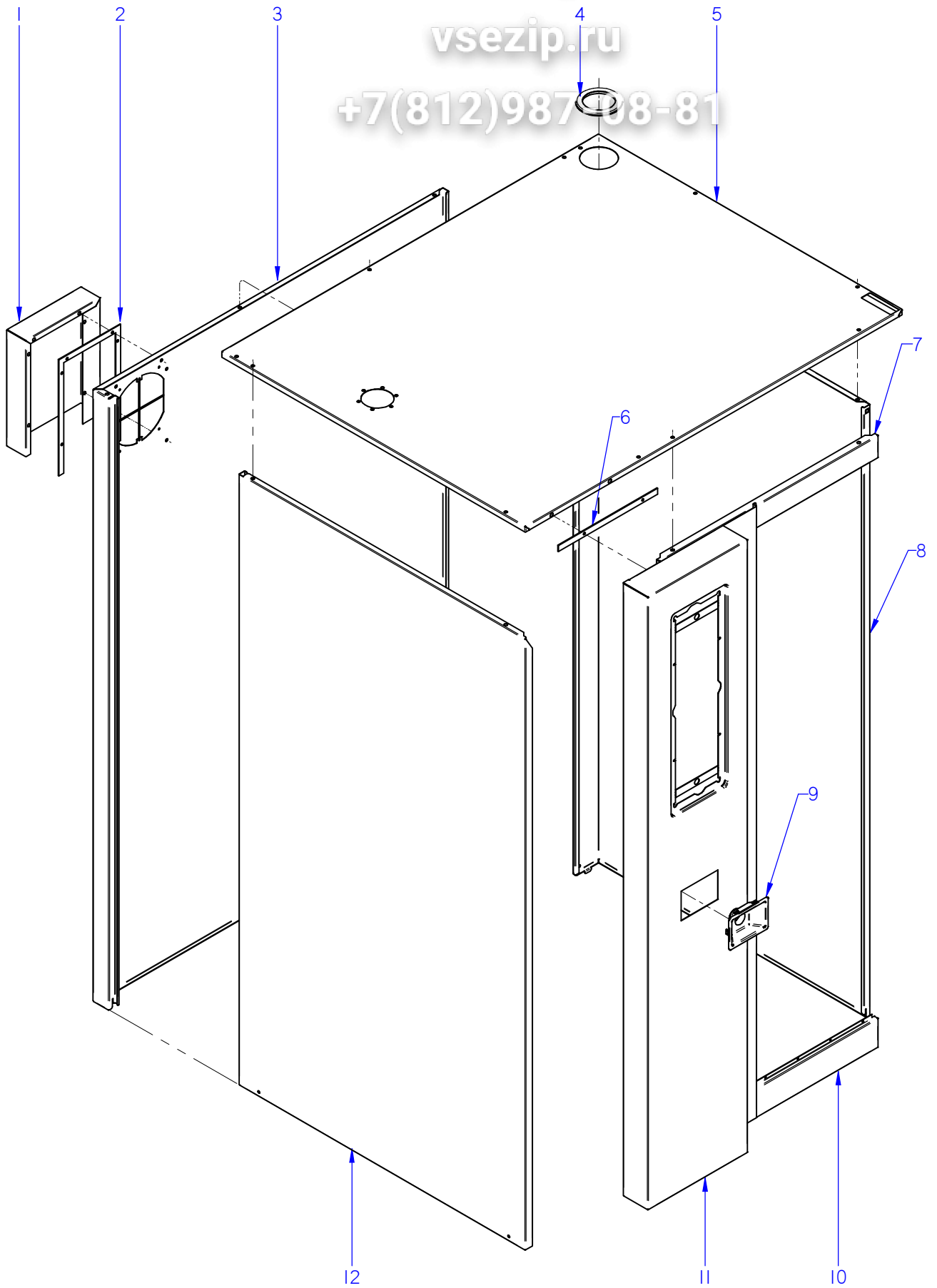
---

**FAGOR INDUSTRIAL**

Зип Общепит

vsezip.ru

+7(812)987-08-81



ITEM MARCADO EN COLOR = REPUESTO RECOMENDADO  
COLOURED ITEM = RECOMMENDED SPARE PART

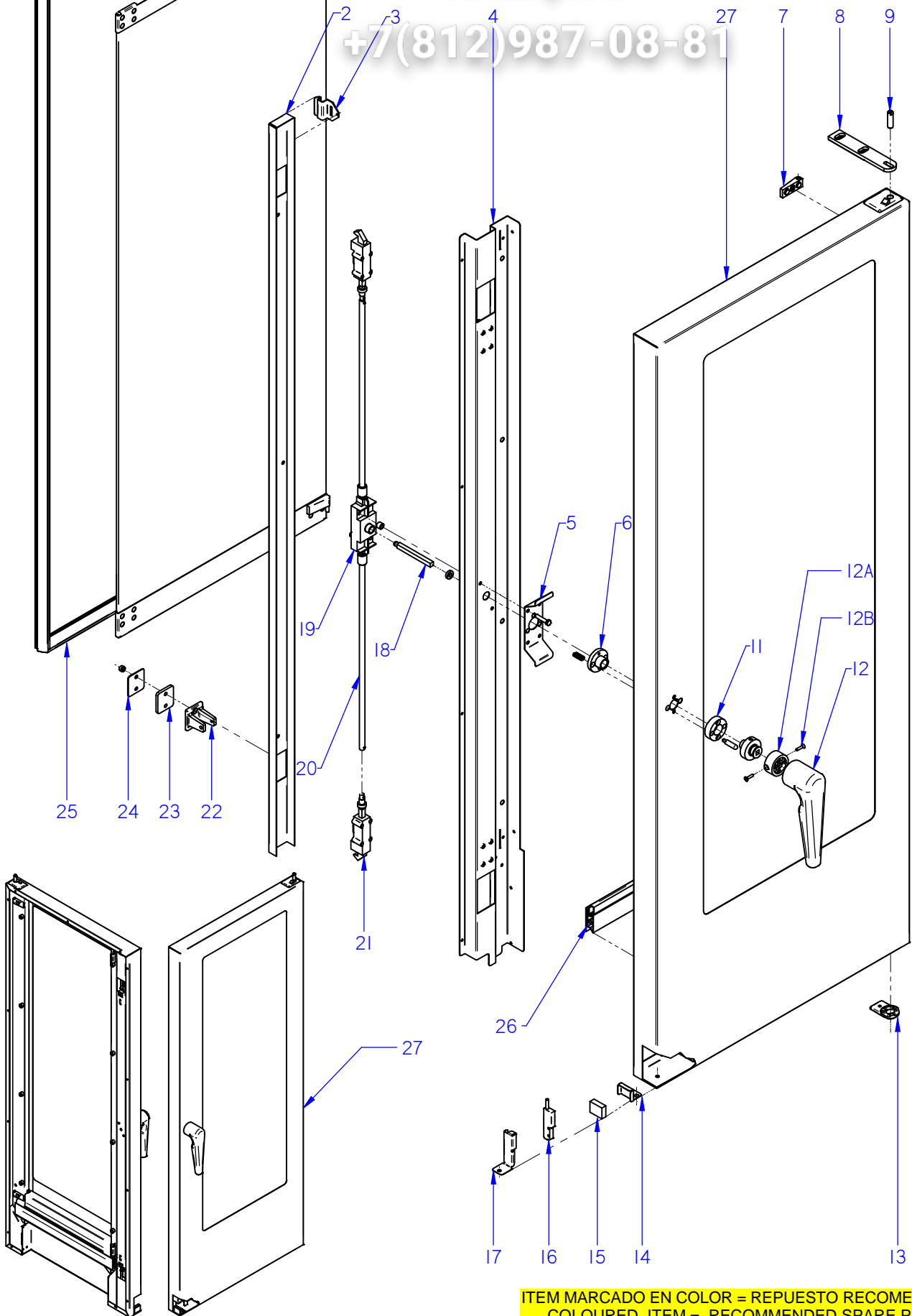
|                     |                    |              |                              |               |                |                                       |
|---------------------|--------------------|--------------|------------------------------|---------------|----------------|---------------------------------------|
| Nº plano / N° plane | Firma              | Fecha / Date | Denominación / Denomination: | MUEBLE / UNIT | Lamina / Sheet | Fagor Industrial S.Coop. <b>FAGOR</b> |
| C-3034              | <i>(Signature)</i> | 2012-07      | HORNOS AE; ACE; APE-202      |               | 1              | Oñate                                 |



Зип Общепит

vsezip.ru

+7(812)987-08-81



ITEM MARCADO EN COLOR = REPUESTO RECOMENDADO  
COLOURED ITEM = RECOMMENDED SPARE PART

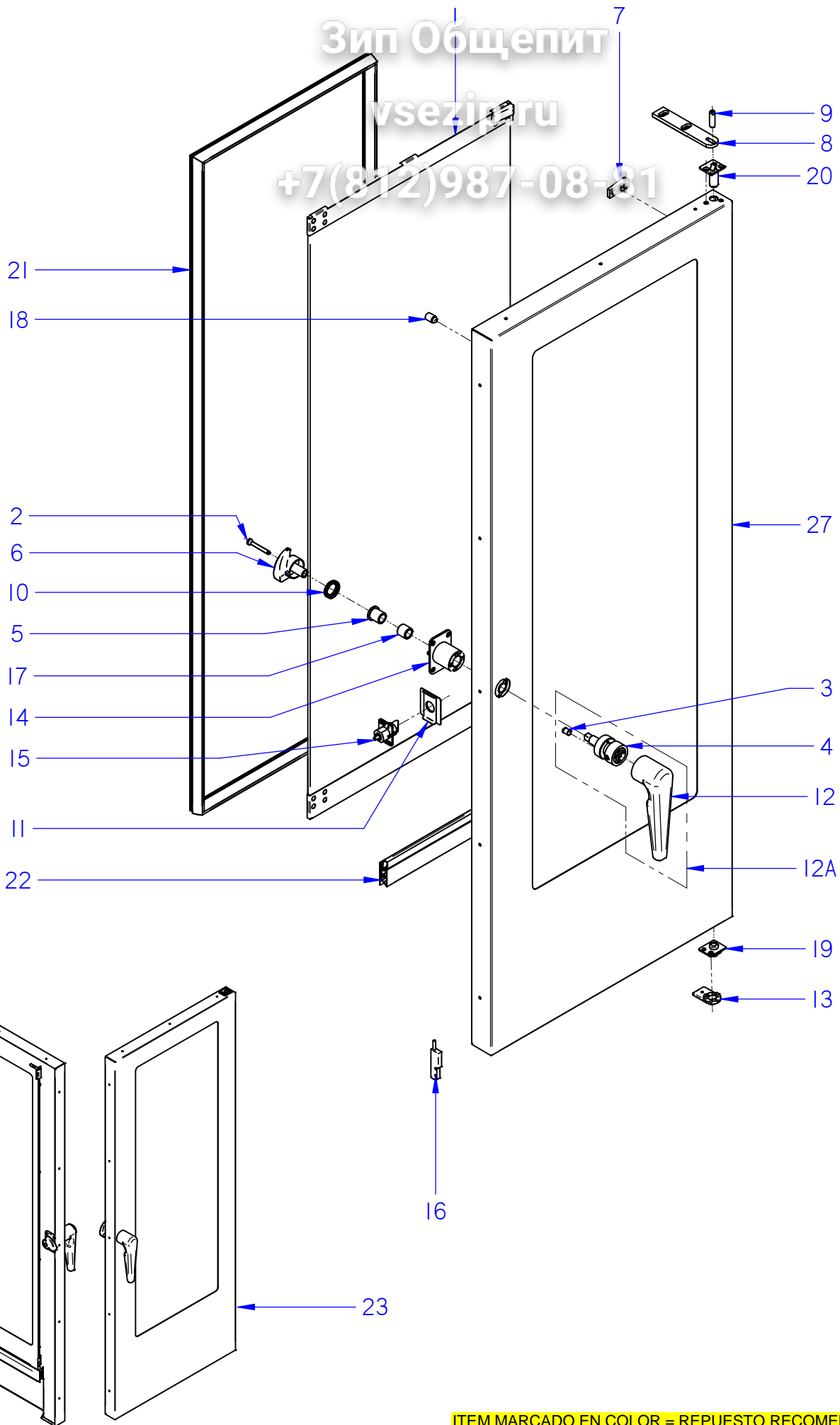
|                     |             |              |                              |               |                |                                       |
|---------------------|-------------|--------------|------------------------------|---------------|----------------|---------------------------------------|
| Nº plano / N° plane | Firma       | Fecha / Date | Denominación / Denomination: | PUERTA / DOOR | Lamina / Sheet | Fagor Industrial S.Coop. <b>FAGOR</b> |
| C-3035              | name Benfor | 2012-07      | HORNOS AE; ACE; APE-202      |               | 2              | Oñate                                 |

| MOD. |                     | HORNOS / OVEN                |                            | ZONA / ZONE |        | PUERTA (HASTA 06-2014) / DOOR (UNTIL 06- |  |  |  |  |  |
|------|---------------------|------------------------------|----------------------------|-------------|--------|--|--|--|--|--|--|
| ITEM | CODIGO<br>REFERENCE | DENOMINACION                 | DENOMINATION               | ACE-202     | AE-202 | APE-202                                  |  |  |  |  |  |
| 1    | 12039272            | KIT CRISTAL INTER. 202       | 202 INNER GLASS KIT        | 1           | 1      | 1  |  |  |  |  |  |
| 2    | 12039324            | TAPA CIERRE PUERTA 202       | DOOR CLOSING COVER 202     | 1           | 1      | 1  |  |  |  |  |  |
| 3    | 12024319            | PESTILLO                     | INNER GLASS HINGE          | 2           | 2      | 2  |  |  |  |  |  |
| 4    | 12039302            | CONTRAPUERTA MANILLA 202     | COMPLETE HANDLE DOOR 202   | 1           | 1      | 1  |  |  |  |  |  |
| 5    | 12039326            | SUPLEMENTO SUJ. CERRADURA    | LOCK FIXING SUPPLEMENT     | 1           | 1      | 1  |  |  |  |  |  |
| 6    | 12024389            | GUIA MANILLA                 | HANDLE GUIDE               | 1           | 1      | 1  |  |  |  |  |  |
|      | 12023608            | PITON ENGANCHE PUERTA        | DOOR FASTENER SPIKE        | 2           | 2      | 2  |  |  |  |  |  |
| 7    | 12024402            | BASE DE BISAGRA              | HINGE BASE                 | 2           | 2      | 2  |  |  |  |  |  |
| 8    | 12039312            | BISAGRA SUPERIOR             | UPPER HINGE                | 1           | 1      | 1  |  |  |  |  |  |
|      | 12010106            | TORNILLO ALLEN INOX. M6X35MM | ALLEN BOLT STAINLE.M6X35MM | 3           | 3      | 3  |  |  |  |  |  |
| 9    | 12023636            | EJE SUPERIOR                 | UPPER SHAFT                | 1           | 1      | 1  |  |  |  |  |  |
| 11   | 12024505            | SOPORTE RESORTE              | SPRING HOLDER              | 1           | 1      | 1  |  |  |  |  |  |
| 12A  | 12102288            | INSERTO AMARRE               | FASTENING INSERT           | 1           | 1      | 1  |  |  |  |  |  |
| 12B  | 12010262            | TORNILLO AVELLANADO M4X15    | COUNTERSUNK SCREW M4x15    | 2           | 2      | 2  |  |  |  |  |  |
| 12   | 12044776            | ASA COMPLETA 2/1 ADVANCE     | HANDLE 2/1 ADVANCE         | 1           | 1      | 1  |  |  |  |  |  |
| 13   | 12039311            | BASE BISAGRA INFERIOR PUERTA | LOWER DOOR HINGE BASE      | 1           | 1      | 1  |  |  |  |  |  |
| 13   | 12047967            | BASE BISAGRA INFERIOR 6 DIEN | LOWER HINGE BASE           | 1           | 1      | 1  |  |  |  |  |  |
| 14   | 12022049            | SOPORTE IMAN                 | MAGNET HOLDER              | 1           | 1      | 1  |  |  |  |  |  |
| 15   | 12024384            | IMAN                         | MAGNET                     | 1           | 1      | 1  |  |  |  |  |  |
| 16   | 12024560            | INTERRUPTOR MAGNETICO AC     | MAGNETIC SWITCH AC         | 1           | 1      | 1  |  |  |  |  |  |
| 17   | 12022166            | SOPORTE MICRO PUERTA         | DOOR MICRO SWITCH          | 1           | 1      | 1  |  |  |  |  |  |
| 18   | 12024799            | EJE DE MANILLA PUERTA        | LEVER SHAFT                | 1           | 1      | 1  |  |  |  |  |  |
| 19   | 12024673            | MECANISMO CIERRE             | CLOSING MECHANISM          | 1           | 1      | 1  |  |  |  |  |  |
| 20   | 12039308            | TUBO ALARGADERA 201/202 ADV  | ROD 201/202 ADV            | 2           | 2      | 2  |  |  |  |  |  |
| 21   | 12024657            | ELEMENTO CIERRE              | CLOSING COMPONENT          | 2           | 2      | 2  |  |  |  |  |  |
| 22   | 12024495            | ENGANCHE PUERTA              | FASTENER                   | 2           | 2      | 2  |  |  |  |  |  |
| 23   | 12024380            | SUPLEMENTO ENGANCHE          | FASTENER SUPPLEMENT        | 2           | 2      | 2  |  |  |  |  |  |
| 24   | 12022138            | CALZO DE ENGANCHE            | COUPLING CHOCK             | 4           | 4      | 4  |  |  |  |  |  |
| 25   | 12039298            | JUNTA PUERTA 202             | DOOR JOINT 202             | 1           | 1      | 1  |  |  |  |  |  |
| 26   | 12039307            | JUNTA CIERRE INFERIOR 202    | LOWER LOCK JOINT 202       | 1           | 1      | 1  |  |  |  |  |  |
| 27   | 12046024            | KIT PUERTA 202               | DOOR 202 KIT               | 1           | 1      | 1  |  |  |  |  |  |

Зип Общепит

vsezip.ru

+7(812)987-08-81



ITEM MARCADO EN COLOR = REPUESTO RECOMENDADO  
COLOURED ITEM = RECOMMENDED SPARE PART

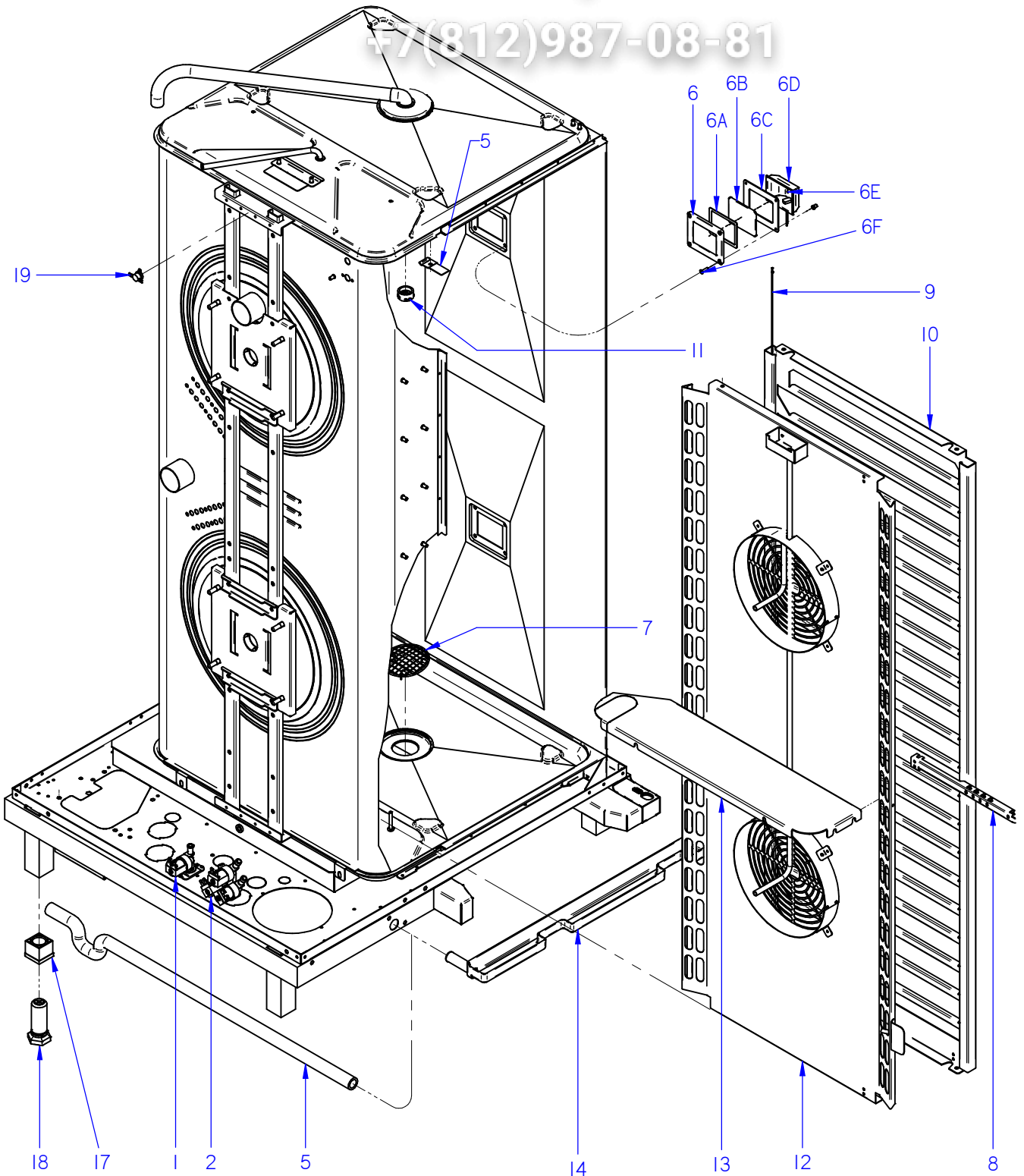
|                       |                   |              |  |                |                                       |
|-----------------------|-------------------|--------------|--|----------------|---------------------------------------|
| Nº plano / Drawing N. | Firma / Signature | Fecha / Date | Denominación / Denomination:             | Lamina / Sheet | Fagor Industrial S.Coop. <b>FAGOR</b> |
| C-3035-14             | Iban R.           | 03-2016      | PUERTA / DOOR<br>HORNOS AE; ACE; APE-202 | 2-14           | Oñate                                 |



Зип Общепит

vsezip.ru

+7(812)987-08-81



ITEM MARCADO EN COLOR = REPUESTO RECOMENDADO  
COLOURED ITEM = RECOMMENDED SPARE PART

|                               |                              |                         |  |                     |  |
|-------------------------------|------------------------------|-------------------------|--|---------------------|--|
| Nº plano / N° plane<br>C-3036 | Firma / Signature<br>Iban R. | Fecha / Date<br>03-2016 | Denominación / Denomination:<br>MUEBLE INTERIOR / INTERIOR OVEN<br>HORNOS AE; ACE; APE-202 | Lamina / Sheet<br>3 | Fagor Industrial S.Coop. <b>FAGOR</b><br>Onate |
|-------------------------------|------------------------------|-------------------------|--|---------------------|--|

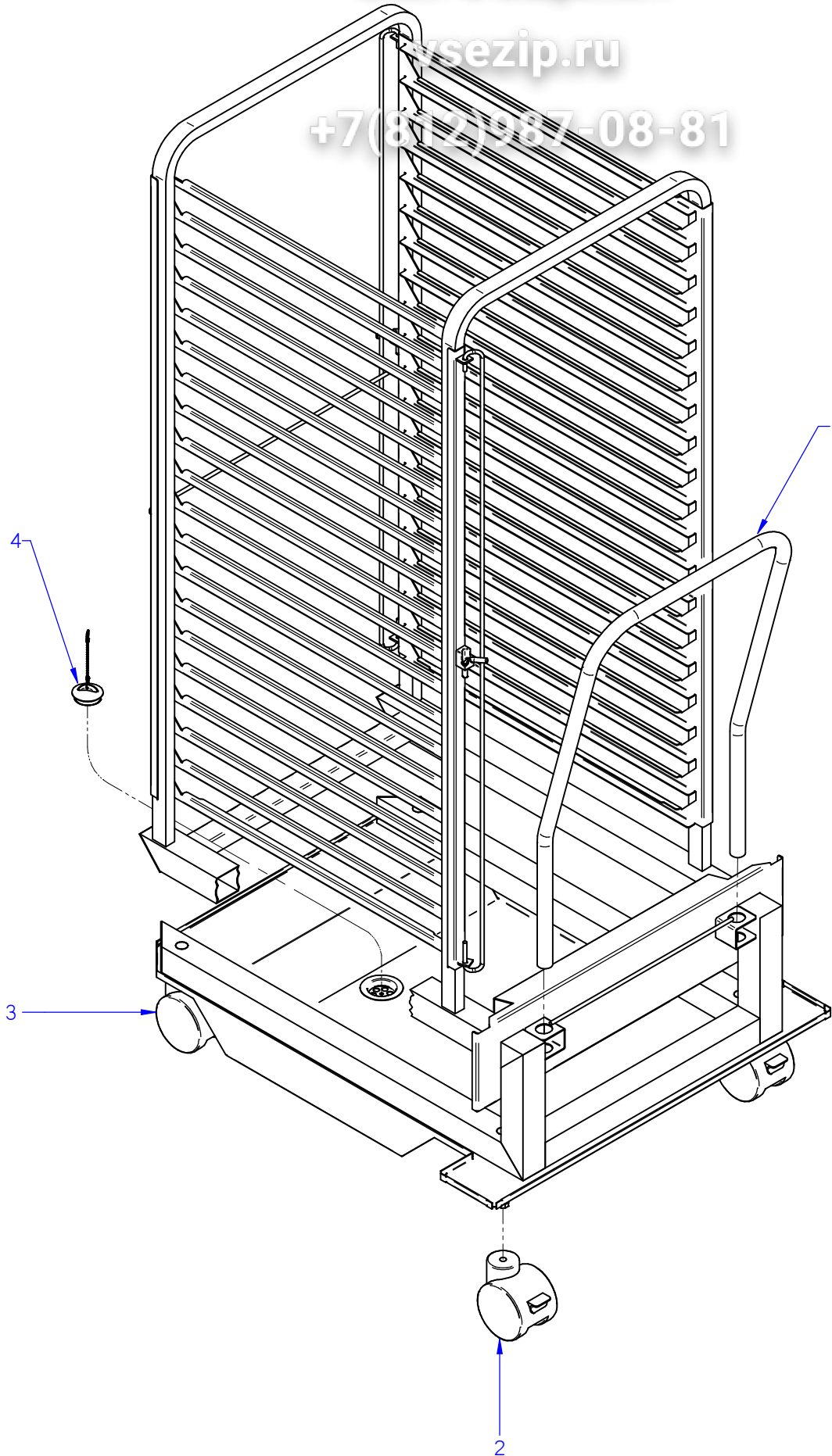


| MOD. |                  | HORNOS / OVEN               |                            | ZONA / ZONE |        | MUEBLE INTERIOR / INTERIOR OVEN |  |  |  |  |  |
|------|------------------|-----------------------------|----------------------------|-------------|--------|---------------------------------|--|--|--|--|--|
| ITEM | CODIGO REFERENCE | DENOMINACION                | DENOMINATION               | ACE-202     | AE-202 | APE-202                         |  |  |  |  |  |
| 1    | 12025161         | E.V. 230VAC 50/60Hz 1V      | SOLENOID VALVE 230VAC 1 W  | 1           |        | 1                               |  |  |  |  |  |
| 2    | 12023794         | E.V. 230VAC 50/60Hz 2V      | SOLENOID VALVE 230VAC 2 W  | 1           | 1      | 1                               |  |  |  |  |  |
| 2    | 12115418         | E.V. 230VAC 50/60Hz 3V      | SOLENOID VALVE 230VAC 3 W  | 1           | 1      | 1                               |  |  |  |  |  |
| 5    | 12041767         | SOPORTE SONDA PINCHO CAMARA | CAMERA PROBE SUPP. PINCHO  | 1           | 1      | 1                               |  |  |  |  |  |
| 6    | 12024464         | MARCO LAMPARA               | LAMP ANCHORING PLATEN      | 2           | 2      | 2                               |  |  |  |  |  |
| 6A   | 12023532         | JUNTA INTERIOR LAMPARA      | LAMP INNER JOINT           | 2           | 2      | 2                               |  |  |  |  |  |
| 6B   | 12023668         | CRISTAL LAMPARA             | LAMP GLASS                 | 2           | 2      | 2                               |  |  |  |  |  |
| 6C   | 12023578         | JUNTA EXTERIOR LAMPARA      | LAMP OUTER JOINT           | 2           | 2      | 2                               |  |  |  |  |  |
| 6D   | 12024545         | PORTALAMPARAS               | LAMP HOLDER                | 2           | 2      | 2                               |  |  |  |  |  |
| 6E   | 12025123         | LAMPARA 10W-12V             | LIGHT 10W 12V              | 2           | 2      | 2                               |  |  |  |  |  |
| 6F   | 12010262         | TORNILLO AVELLANADO M4X15   | COUNTERSUNK SCREW M.4x15   | 8           | 8      | 8                               |  |  |  |  |  |
| 7    | 12024458         | FILTRO DESAGÜE Ø70 20/21    | DRAINAGE FILTER Ø70 20/21  | 1           | 1      | 1                               |  |  |  |  |  |
| 7    | 12095053         | FILTRO DESAGÜE Ø73          | DRAINAGE FILTER Ø73        | 1           | 1      | 1                               |  |  |  |  |  |
| 8    | 12126827         | SOPORTE CORE HOLDER         | CORE HOLDER SUPPORT        | 1           | 1      | 1                               |  |  |  |  |  |
| 9    | 12039490         | TOPE BANDEJAS 101-102       | TRAY TOP 101-102           | 4           | 1      | 1                               |  |  |  |  |  |
| 10   | 12126826         | PORTABANDEJAS IZDA ACE 202  | ACE 202 HOLDER LEFT        | 1           | 1      | 1                               |  |  |  |  |  |
| 10   | 12126824         | PORTABANDEJAS DCHA ACE 202  | ACE 202 HOLDER RIGHT       | 1           | 1      | 1                               |  |  |  |  |  |
| 11   | 12023935         | PUNTA DIFUSORA LAVADO       | WASHING DISPENSER POINT    | 1           | 1      | 1                               |  |  |  |  |  |
| 11   | 12129275         | PUNTA DIFUSORA ACLARADO     | RINSING DISPENSER POINT    | 1           | 1      | 1                               |  |  |  |  |  |
| 12   | 12126838         | CUBREVENTILADOR 202         | FAN COVER 202              | 1           | 1      | 1                               |  |  |  |  |  |
| 12   | 12126839         | CUBREVENTILADOR 202         | FAN COVER 202              | 1           | 1      | 1                               |  |  |  |  |  |
| 13   | 12039335         | CHAPA REFUERZO CUBA AG 202  | CUBA REINFOR. PLATE AG 202 | 1           | 1      | 1                               |  |  |  |  |  |
|      | 12009868         | ARANDELA PLANA INOX 6MM     | WASHER FLAT 6 MM INOX.     | 7           | 7      | 7                               |  |  |  |  |  |
|      | 12010255         | TORNILLO EXAGONAL M6 INOX.  | HEXAGONAL SCREW M6 INOX.   | 7           | 7      | 7                               |  |  |  |  |  |
| 14   | 12039363         | RECOGEAGUAS HORNO 202       | SPRING WATER COLLE. 202    | 1           | 1      | 1                               |  |  |  |  |  |
| 15   | 12048417         | TUBO RECOGEAGUAS 202        | COLLECT WATER PIPE 202     | 1           | 1      | 1                               |  |  |  |  |  |
|      | 12009628         | ABRAZADERA ELAST. 26.7-28.1 | SPRING CLAMP 26.7-28.1     | 2           | 2      | 2                               |  |  |  |  |  |
| 17   | 12043392         | TUERCA PATA 202 ADVANCE     | NUT LEG 202 ADVANCE        | 4           | 4      | 4                               |  |  |  |  |  |
| 18   | 12043393         | TORNILLO PATA 202 ADVANCE   | SCREW LEG 202 ADVANCE      | 4           | 4      | 4                               |  |  |  |  |  |
| 19   | 12095019         | TERMOSTATO_261_NA_51°C      | THERMOSTAT_261_NA_51°C     | 1           | 1      | 1                               |  |  |  |  |  |

Зип Общепит

zysezip.ru

+7(812)987-08-81



ITEM MARCADO EN COLOR = REPUESTO RECOMENDADO  
COLOURED ITEM = RECOMMENDED SPARE PART

|                     |                    |              |                              |                 |                |                                       |
|---------------------|--------------------|--------------|------------------------------|-----------------|----------------|---------------------------------------|
| Nº plano / N° plane | Firma              | Fecha / Date | Denominación / Denomination: | CARRO / TROLLEY | Lamina / Sheet | Fagor Industrial S.Coop. <b>FAGOR</b> |
| C-3037              | <i>name Benfor</i> | 2012-07      | HORNOS AE; ACE; APE-202      | 4               | Oñate          |                                       |



Зип Общепит

vsezip.ru

+7(812)987-08-81

Nº plano / N° plane  
C-30338

Firma  
*(Signature)*

Fecha / Date  
2012-07

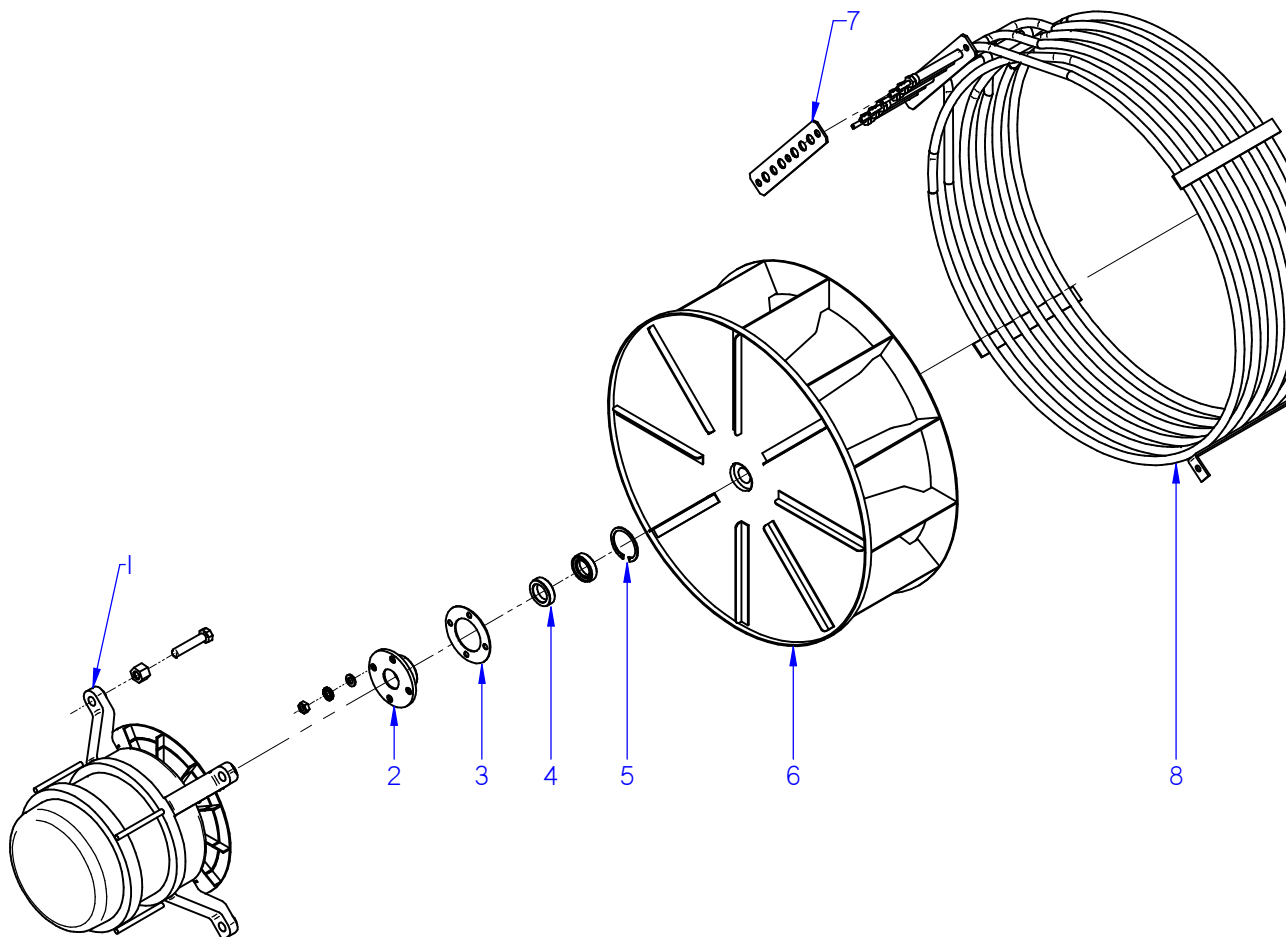
Denominación / Denomination:  
HORNO S AE; ACE; APE-202

Lamina / Sheet  
5

FAJOR Industrial S. Coop.  
Oриге

TURBINA / TURBINE

ITEM MARCADO EN COLOR = REPUESTO RECOMENDADO  
COLOURED ITEM = RECOMMENDED SPARE PART

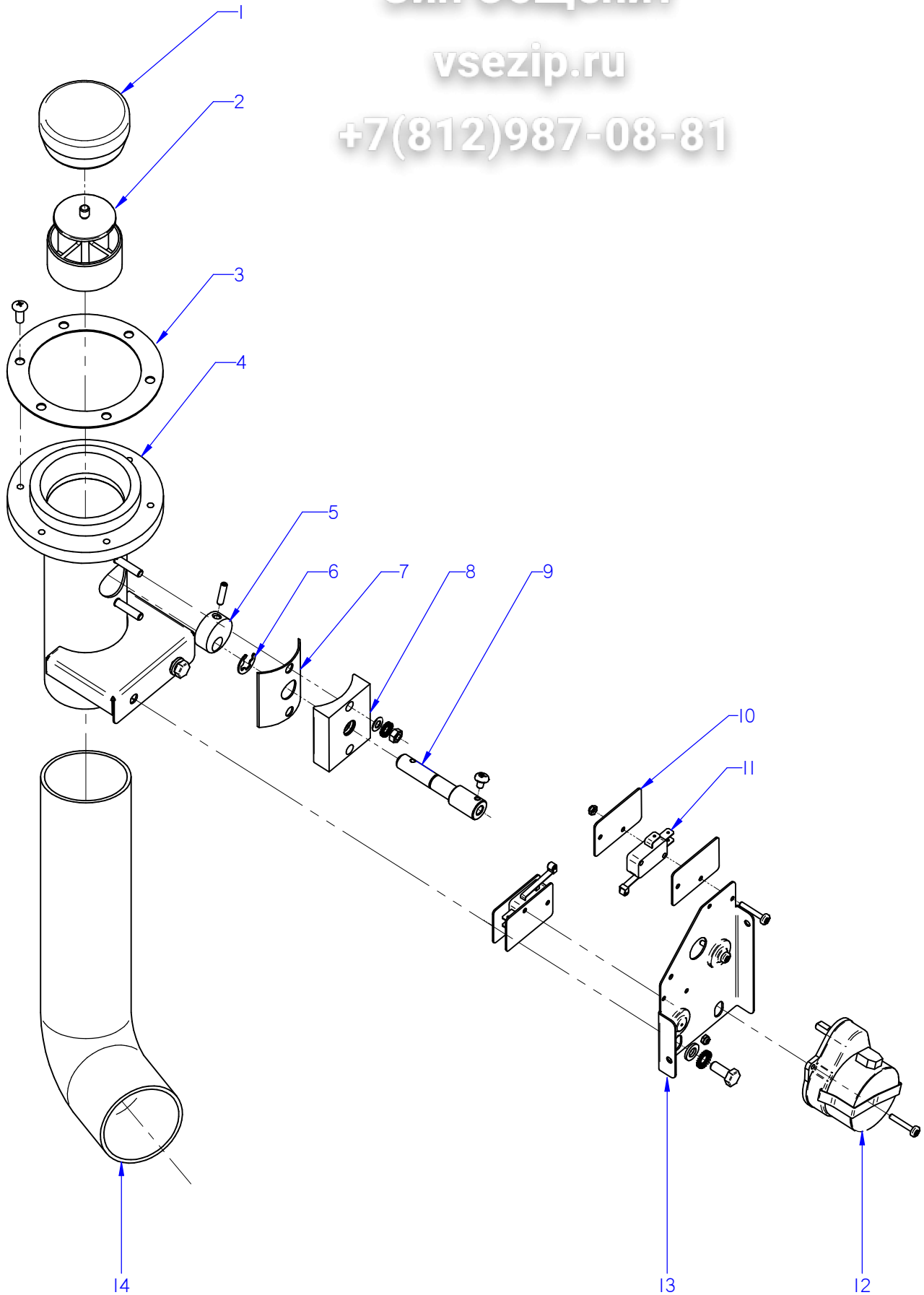




Зип Общепит

vsezip.ru

+7(812)987-08-81



ITEM MARCADO EN COLOR = REPUESTO RECOMENDADO  
COLOURED ITEM = RECOMMENDED SPARE PART

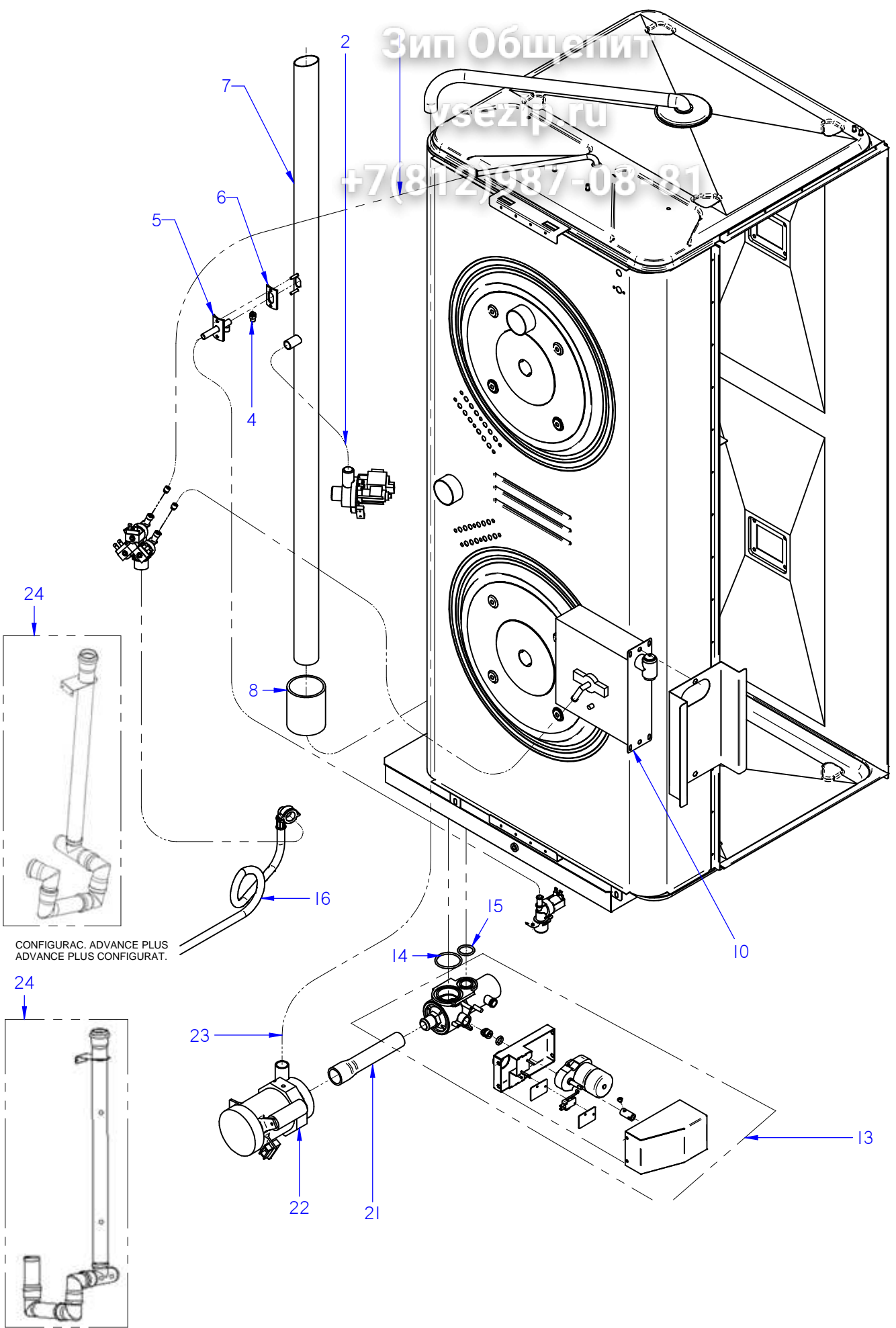
|                     |                    |              |  |                |                                       |
|---------------------|--------------------|--------------|--|----------------|---------------------------------------|
| Nº plano / N° plane | Firma              | Fecha / Date | Denominación / Denomination: CHIMENEA / FLUEPIPE | Lamina / Sheet | Fagor Industrial S.Coop. <b>FAGOR</b> |
| C-3039              | <i>(Signature)</i> | 2012-07      | HORNOS AE; ACE; APE 202                          | 6              | Oñate                                 |



Зип Общепит

vsezip.ru

+7(812)987-08 81



CONFIGURAC. ADVANCE PLUS  
ADVANCE PLUS CONFIGURAT.

CONFIGURAC. ADVANCE / CONCEPT  
ADVANCE / CONCEPT CONFIGURAT.

ITEM MARCADO EN COLOR = REPUESTO RECOMENDADO  
COLOURED ITEM = RECOMMENDED SPARE PART

|                     |         |              |                              |                                    |                |                                       |
|---------------------|---------|--------------|------------------------------|------------------------------------|----------------|---------------------------------------|
| Nº plano / N° plane | Firma   | Fecha / Date | Denominación / Denomination: | CONDUCCIONES DE AGUA / WATER PIPES | Lamina / Sheet | Fagor Industrial S.Coop. <b>FAGOR</b> |
| C-3040              | Iban R. | 03-2016      | HORNOS AE; ACE; APE-202      |                                    | 7              | Oñate                                 |

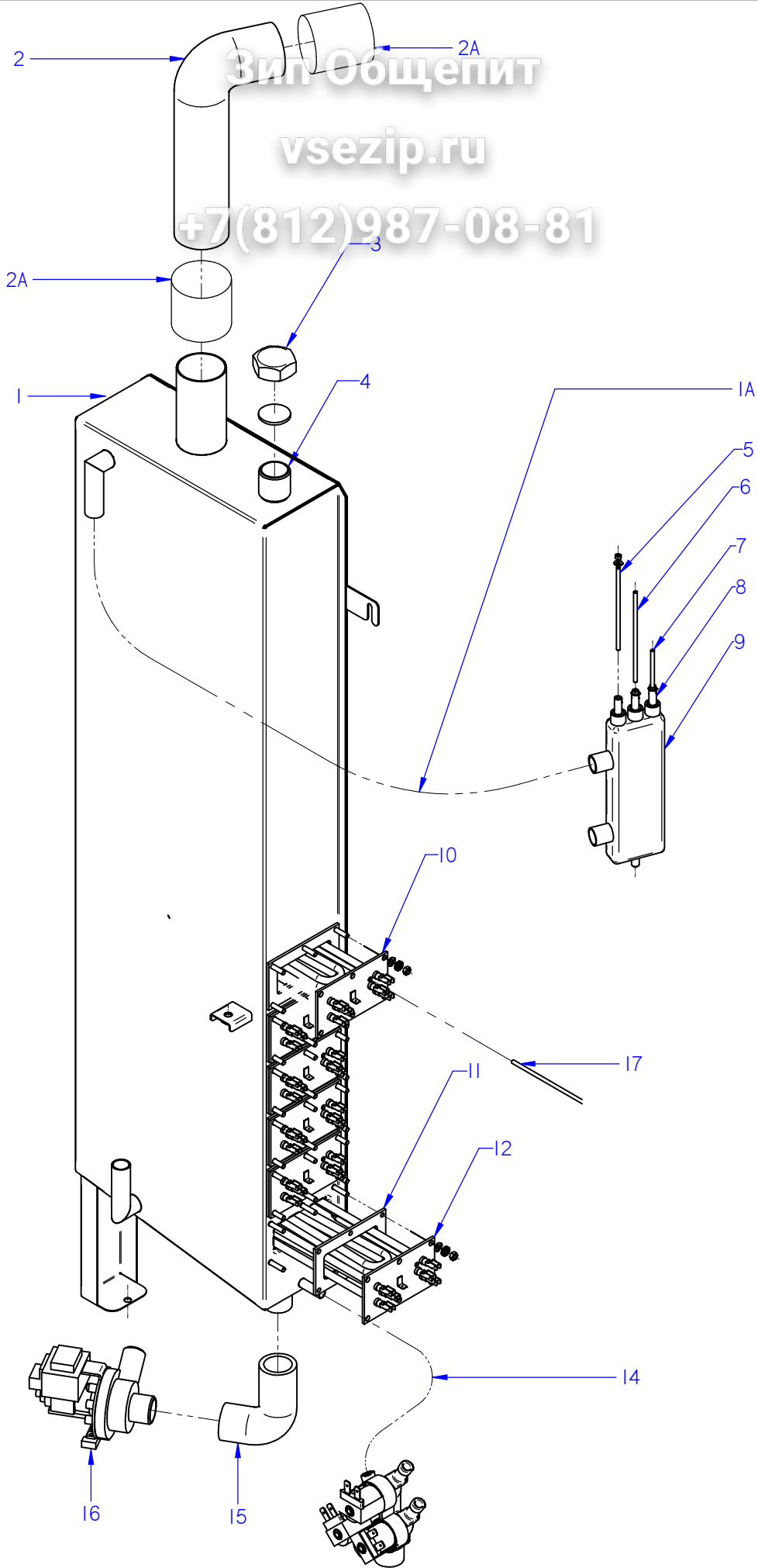




Зип Ообщепит

vsezip.ru

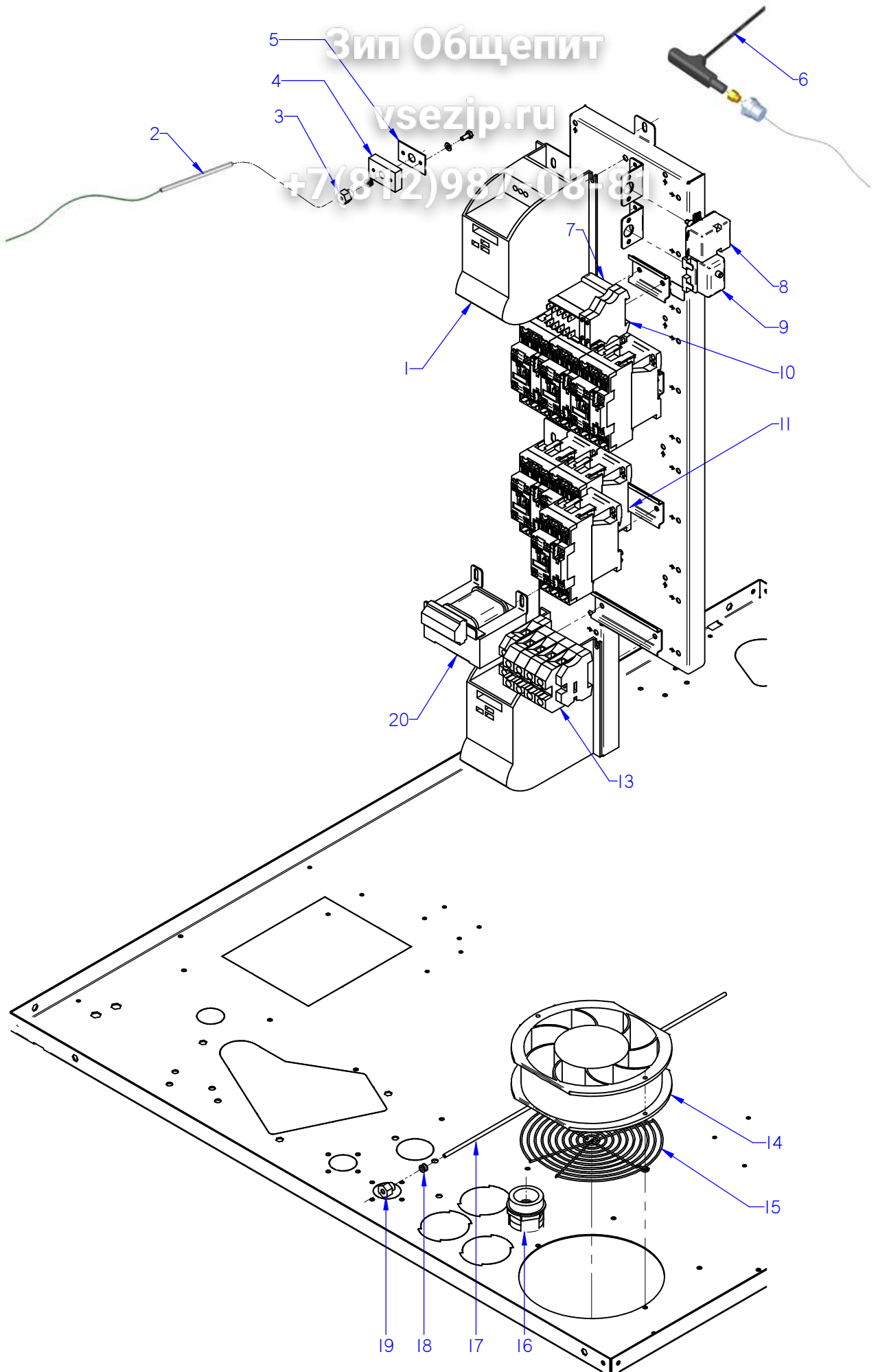
+7(812)987-08-81



ITEM MARCADO EN COLOR = REPUESTO RECOMENDADO  
COLOURED ITEM = RECOMMENDED SPARE PART

|                     |                    |              |                              |                                   |                |                                       |
|---------------------|--------------------|--------------|------------------------------|-----------------------------------|----------------|---------------------------------------|
| Nº plano / N° plane | Firma              | Fecha / Date | Denominación / Denomination: | CIRCUITO DE VAPOR / STEAM CIRCUIT | Lamina / Sheet | Fagor Industrial S.Coop. <b>FAGOR</b> |
| C-3041              | <i>(Signature)</i> | 03-2016      | HORNOS AE-202; APE-202       |                                   | 8              | Oñate                                 |





ITEM MARCADO EN COLOR = REPUESTO RECOMENDADO  
 COLOURED ITEM = RECOMMENDED SPARE PART

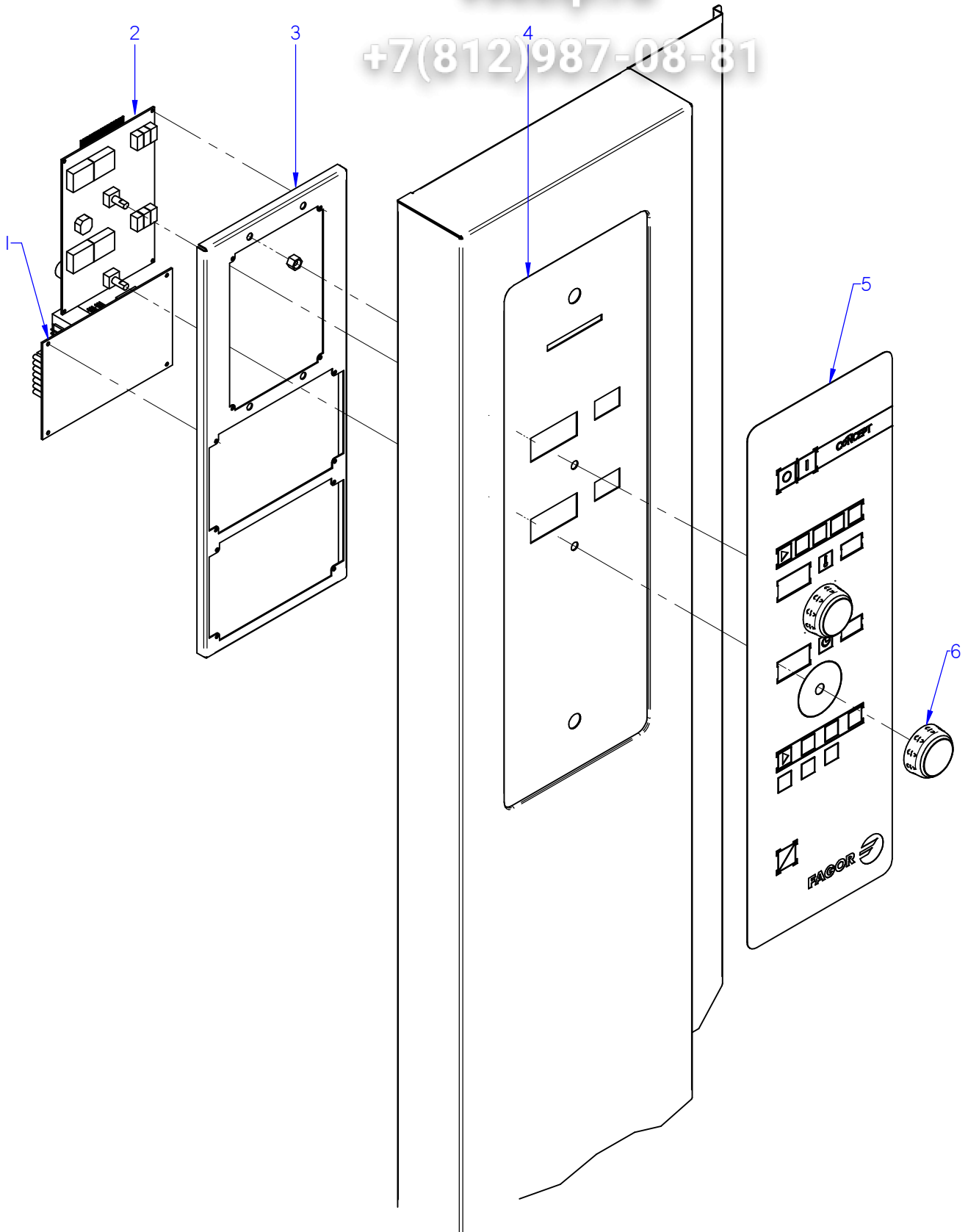
|                     |                    |              |                              |                                   |                |                                       |
|---------------------|--------------------|--------------|------------------------------|-----------------------------------|----------------|---------------------------------------|
| Nº plano / N° plane | Firma              | Fecha / Date | Denominación / Denomination: | CUADRO ELECTRICO / ELECTRIC PANEL | Lamina / Sheet | Fagor Industrial S.Coop. <b>FAGOR</b> |
| C-3042              | <i>(Signature)</i> | 2012-07      | HORNOS AE; ACE; APE-202      | 9                                 | Oñate          |                                       |

| MOD. |                  | HORNOS / OVEN                      |                               | ZONA / ZONE |        | CUADRO ELECTRICO / ELECTRIC PANEL |  |  |  |  |  |
|------|------------------|------------------------------------|-------------------------------|-------------|--------|-----------------------------------|--|--|--|--|--|
| ITEM | CODIGO REFERENCE | DENOMINACION                       | DENOMINATION                  | ACE-202     | AE-202 | APE-202                           |  |  |  |  |  |
| 1    | 12048798         | REP VARIADOR REGULADO ADV          | REGULATED VARIATOR ADV        | 2           | 2      | 2                                 |  |  |  |  |  |
| 2    | 12024642         | CONJUN. TERMOPAR CAMARA (Tn)       | CHAM. THERMOCOUPLE UNIT (Tn)  | 1           | 1      | 1                                 |  |  |  |  |  |
| 3    | 12023581         | RACORD CIERRE SONDA                | PROBE CLOSING ADAPTOR         | 1           | 1      | 1                                 |  |  |  |  |  |
| S/Nº | 12024247         | BICONO CIERRE SONDA                | PROBE CLOSING BICONE          | 1           | 1      | 1                                 |  |  |  |  |  |
| 4    | 12023737         | BASE CIERRE SONDA                  | FIXING CORE PROBE             | 1           | 1      | 1                                 |  |  |  |  |  |
| 5    | 12023504         | JUNTA PASAMUROS SIMPLE             | SIMPLE                        | 1           | 1      | 1                                 |  |  |  |  |  |
| 6    | 12039548         | SONDA PINCHO ADVANCE               | ADVANCE PROBE PINCHO          | 1           | 1      | 1                                 |  |  |  |  |  |
| 7    | 12024011         | CONTACTOR 230 V. 50-60 HZ          | 230 V. 50-60 HZ CONTACTOR     | 1           | 1      | 1                                 |  |  |  |  |  |
| 8    | 12024591         | TERMOSTATO LIMITADOR 10/21         | LIMITER THERMOSTAT10/21       | 1           | 1      | 1                                 |  |  |  |  |  |
| 9    | 12024884         | TERMOSTATO LIMITADOR CORTE         | THERMOSTAT LIMITER            | -           | 1      | 1                                 |  |  |  |  |  |
| 10   | 12025158         | BORNAS PORTA FUSIBLES              | FUSE HOLDER TERMINAL          | 2           | 2      | 2                                 |  |  |  |  |  |
| S/Nº | 12024152         | FUSIBLE 10A Ø5MM 20X5              | 10A Ø5MM 20X5 FUSE            | 2           | 2      | 2                                 |  |  |  |  |  |
| 11   | 12043505         | CONTAC. 230V AC 50/60Hz 50A 3      | CONTAC. 230V AC 50/60Hz 50A 3 | 6           | 6      | 6                                 |  |  |  |  |  |
| 13   | 12024942         | BORNA PASO 192A 70mm2 1vía UL      | TERMINAL STEP 192A 70mm2 1v   | 3           | 3      | 3                                 |  |  |  |  |  |
|      | 12024515         | BORNA TIERRA 35MM                  | EARTH TERMINAL 35mm           | 1           | 1      | 1                                 |  |  |  |  |  |
|      | 12024946         | BORNA NEUTRO AZUL 192A 70          | NEUTRAL TERMINAL BLUE 192A    | 1           | 1      | 1                                 |  |  |  |  |  |
|      | 12025158         | BORNA PORTAFUSIBLES                | FUSE HOLDER TERMINAL          | 2           | 2      | 2                                 |  |  |  |  |  |
|      | 12025171         | TOPE FINAL BORNA 35mm2 UL          | TOP END TERMINAL 35mm2 UL     | 1           | 1      | 1                                 |  |  |  |  |  |
| 14   | 12024106         | VENTILADOR 230V AC 1N 50/60Hz 36KW | FAN 230V AC 1N 50/60Hz 36KW   | 2           | 2      | 2                                 |  |  |  |  |  |
| 15   | 12024790         | PROTECCI. VENTILADOR RM-155        | FAN PROTECTION RM-155         | 1           | 1      | 1                                 |  |  |  |  |  |
| 16   | 12024994         | PRENSA ESTOPAS PG42                | STUFFING BOX PG42             | 1           | 1      | 1                                 |  |  |  |  |  |
|      | 12025204         | CONTRATUERCA PG42                  | COUNTERNUT PG42               | 1           | 1      | 1                                 |  |  |  |  |  |
| 17   | 12047675         | CONJUN.TERMOP. VAPOR L625 (Tv)     | STEAM THERMOCOUPLE L625 (Tv)  | 1           | 1      | -                                 |  |  |  |  |  |
| 17   | 12039678         | CONJUN.TERMOPAR VAPOR Ø4 (Tv)      | STEAM THERMOCOUPLE Ø4 (Tv)    | -           | -      | 1                                 |  |  |  |  |  |
| 18   | 12043409         | BICONO CIERRE SONDA Ø4             | PROBE CLOSING BICONE Ø4       | 1           | 1      | 1                                 |  |  |  |  |  |
| 19   | 12041049         | RACORD CIERRE SONDA Ø 4            | PROBE CLOSING ADAPTOR Ø 4     | 1           | 1      | 1                                 |  |  |  |  |  |
| 20   | 12024173         | TRANSFORMADOR 12-0-12-0,24-0       | TRANSFORMER 12-0-12-0,24-0    | 1           | 1      | 1                                 |  |  |  |  |  |
|      |                  |                                    |                               |             |        |                                   |  |  |  |  |  |
|      |                  |                                    |                               |             |        |                                   |  |  |  |  |  |
|      |                  |                                    |                               |             |        |                                   |  |  |  |  |  |
|      |                  |                                    |                               |             |        |                                   |  |  |  |  |  |

Зип Общепит

vsezip.ru

+7(812)987-08-81



ITEM MARCADO EN COLOR = REPUESTO RECOMENDADO  
COLOURED ITEM = RECOMMENDED SPARE PART

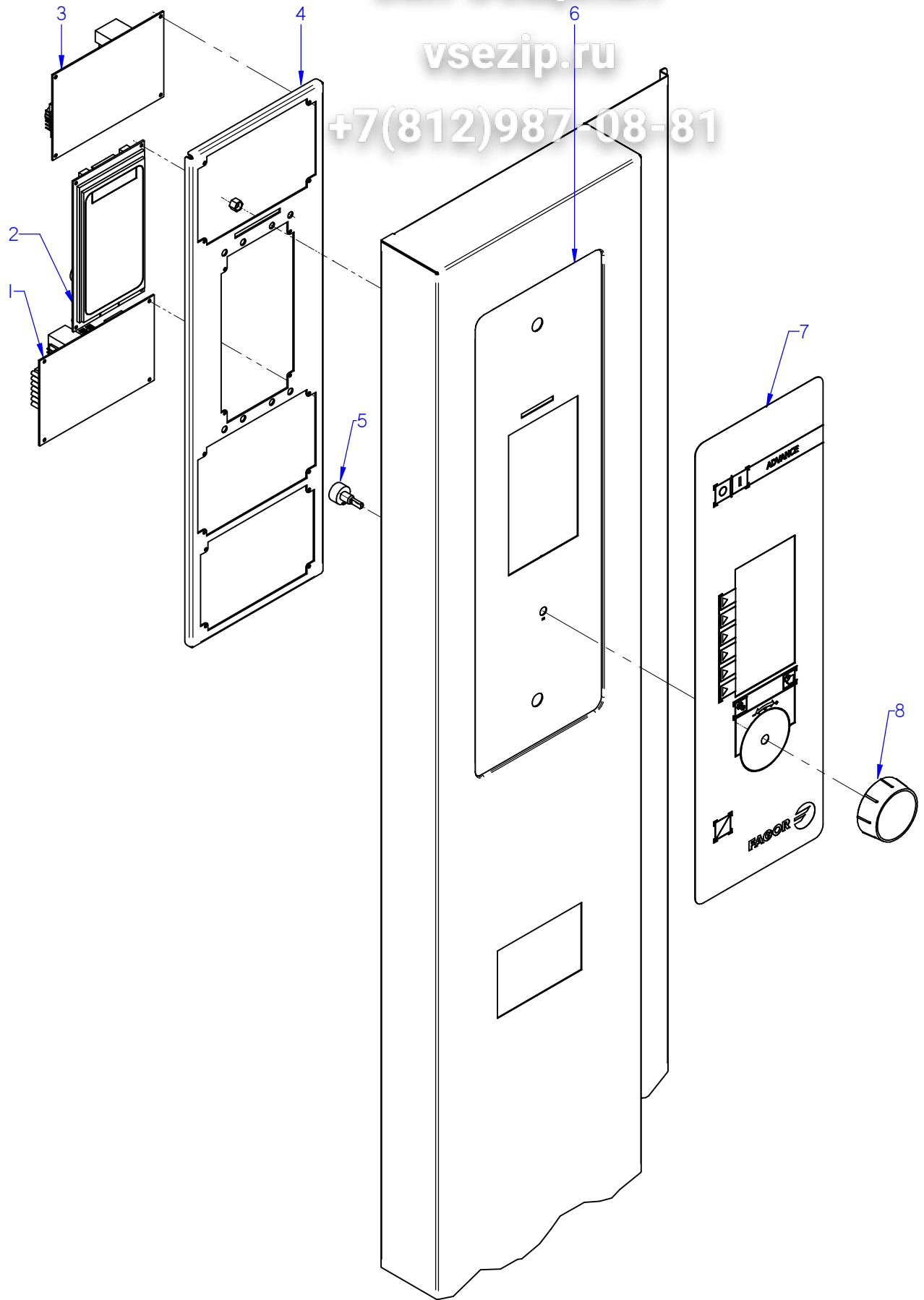
|                     |                    |              |   |                |                                       |
|---------------------|--------------------|--------------|---|----------------|---------------------------------------|
| Nº plano / N° plane | Firma              | Fecha / Date | Denominación / Denomination: PORTAMANDOS / CONTROL HOLDER | Lamina / Sheet | Fagor Industrial S.Coop. <b>FAGOR</b> |
| C-3043              | <i>(Signature)</i> | 2012-07      | HORNOS ACE-202  | 10             | Oñate                                 |



Зип Общежит

vsezip.ru

+7(812)987-08-81



ITEM MARCADO EN COLOR = REPUESTO RECOMENDADO  
COLOURED ITEM = RECOMMENDED SPARE PART

|                     |                    |              |   |                |                                       |
|---------------------|--------------------|--------------|---|----------------|---------------------------------------|
| Nº plano / N° plane | Firma              | Fecha / Date | Denominación / Denomination: PORTAMANDOS / CONTROL HOLDER | Lamina / Sheet | Fagor Industrial S.Coop. <b>FAGOR</b> |
| C-3044              | <i>(Signature)</i> | 2012-07      | HORNOS AE-202   | 11             | Odate                                 |

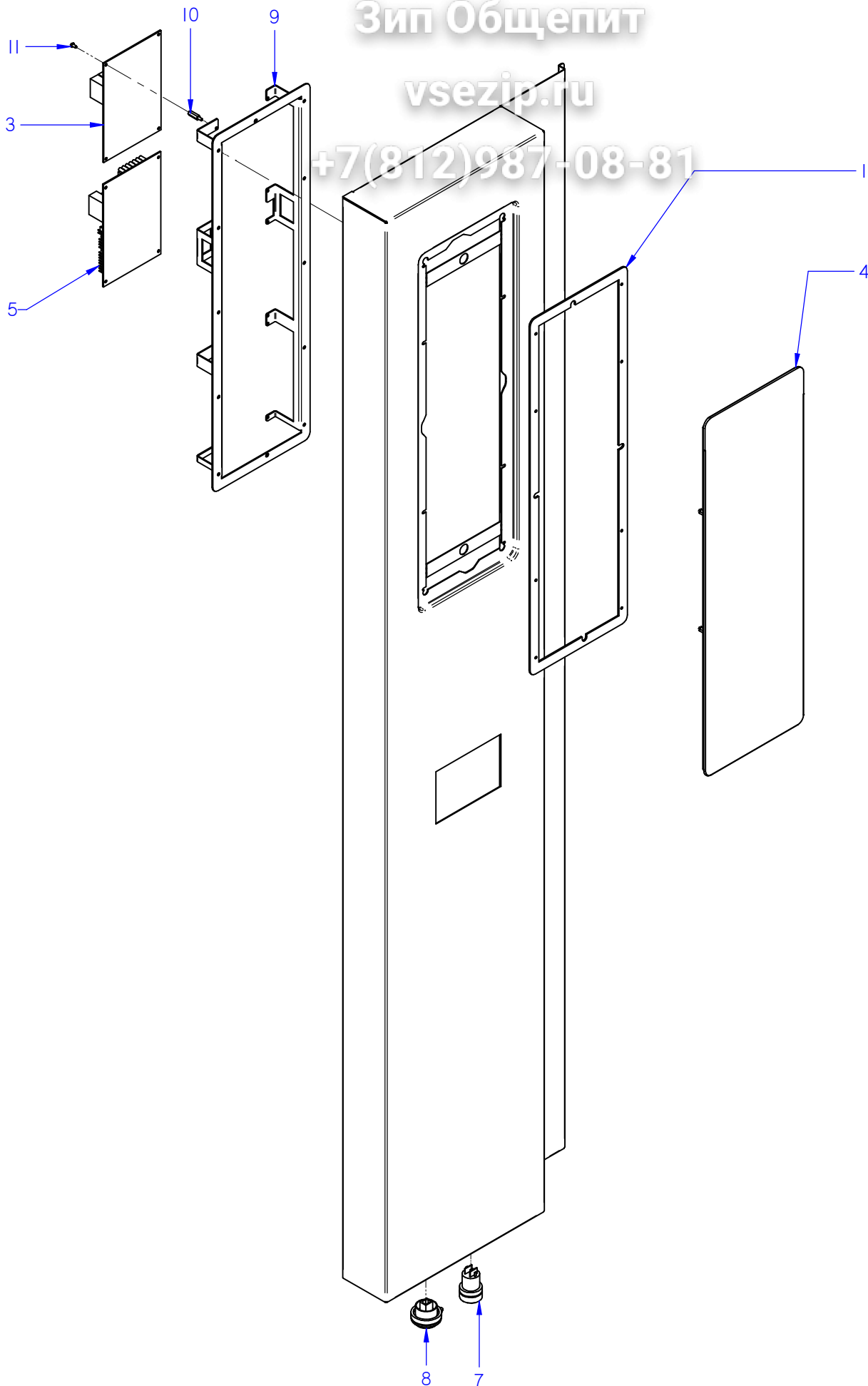




Зип Общепит

vsezip.ru

+7(812)987-08-81



ITEM MARCADO EN COLOR = REPUESTO RECOMENDADO  
COLOURED ITEM = RECOMMENDED SPARE PART

|                     |                    |              |   |                |                                       |
|---------------------|--------------------|--------------|---|----------------|---------------------------------------|
| Nº plano / N° plane | Firma              | Fecha / Date | Denominación / Denomination: PORTAMANDOS / CONTROL HOLDER | Lamina / Sheet | Fagor Industrial S.Coop. <b>FAGOR</b> |
| C-3045              | <i>name Benfor</i> | 05-2015      | HORNOS APE-202  | 12             | Oñate                                 |





| MOD. |                     | HORNOS / OVEN                   |                              | ZONA / ZONE |        | REPUESTOS RECOMENDADOS<br>RECOMMENDED SPARE PART |  |  |  |  |  |
|------|---------------------|---------------------------------|------------------------------|-------------|--------|--|--|--|--|--|--|
| ITEM | CODIGO<br>REFERENCE | DENOMINACION                    | DENOMINATION                 | ACE-202     | AE-202 | APE-202  |  |  |  |  |  |
| 23   | 12094579            | KIT PUERTA 202 CIERRE UNICO     | SINGLE LOCK DOOR 202 KIT     | 1           | 1      | 1  |  |  |  |  |  |
| 1    | 12039272            | KIT CRISTAL INTER. 202          | 202 INNER GLASS KIT          | 1           | 1      | 1  |  |  |  |  |  |
| 8    | 12039312            | BISAGRA SUPERIOR                | UPPER HINGE                  | 1           | 1      | 1  |  |  |  |  |  |
| 12A  | 12135274            | REP. ASA COMP. 20X CIERRE UNICO | SPARE SINGLE LOCK 20X HANDLE | 1           | 1      | 1  |  |  |  |  |  |
| 13   | 12047967            | BASE BISAGRA INFERIOR 6 DIEN    | LOWER HINGE BASE             | 1           | 1      | 1  |  |  |  |  |  |
| 16   | 12024560            | INTERRUPTOR MAGNETICO AC        | MAGNETIC SWITCH AC           | 1           | 1      | 1  |  |  |  |  |  |
| 21   | 12039298            | JUNTA PUERTA 202                | DOOR JOINT 202               | 1           | 1      | 1  |  |  |  |  |  |
| 22   | 12039307            | JUNTA CIERRE INFERIOR 202       | LOWER LOCK JOINT 202         | 1           | 1      | 1  |  |  |  |  |  |
| 1    | 12025161            | E.V. 230VAC 50/60Hz 1V          | SOLENOID VALVE 230VAC 1 W    | 1           |        | 1  |  |  |  |  |  |
| 2    | 12023794            | E.V. 230VAC 50/60Hz 2V          | SOLENOID VALVE 230VAC 2 W    | 1           | 1      |  |  |  |  |  |  |
| 2    | 12115418            | E.V. 230VAC 50/60Hz 3V          | SOLENOID VALVE 230VAC 3 W    |             | 1      | 1  |  |  |  |  |  |
| 19   | 12095019            | TERMOSTATO _261_NA_51°C         | THERMOSTAT _261_NA_51°C      | 1           | 1      |  |  |  |  |  |  |
| 1    | 12024325            | MOTOR 230V AC 3N650KW 1450RPM   | MOTOR 230V AC 3N650KW 1450   | 2           | 2      | 2  |  |  |  |  |  |
| 4    | 12024510            | RETEN 17X28X7V                  | RETAINER 28x17x7             | 4           | 4      | 4  |  |  |  |  |  |
| 5    | 12010122            | ANILLO DE SEGURIDAD Ø 28X1.2    | SAFETY RING 28x1,2           | 2           | 2      | 2  |  |  |  |  |  |
| 6    | 12024306            | TURBINA RECTA Ø350X127 HANN.    | TURBINE RECTA Ø350X127 HAN   | 2           | 2      | 2  |  |  |  |  |  |
| 8    | 12024349            | RESISTENCIA INTERIOR 3 X 5KW    | INSIDE RESISTANCE 3 X 5KW    | 2           | 2      | 2  |  |  |  |  |  |
| 9    | 12024359            | RESISTENCIA EXTERIOR 3 X 5KW    | EXTERNAL RESISTANCE 3 X 5KW  | 2           | 2      | 2  |  |  |  |  |  |
| 11   | 12025193            | INTERRUPTOR PUERTA              | DOOR SWITCH                  | 2           | 2      | 2  |  |  |  |  |  |
| 12   | 12024638            | MOTOR CHIMENEA                  | FLUEPIPE MOTOR               | 1           | 1      | 1  |  |  |  |  |  |
| 14   | 12024122            | TUBO FLEXIBLE Ø53X360           | FLEXIBLE TUBE Ø53X360        | 1           | 1      | 1  |  |  |  |  |  |
| 13   | 12126816            | KIT VALVULA DESAGUE ADVAN.      | VALVE DRAIN ADVANCE KIT      |             |        | 1  |  |  |  |  |  |
| 22   | 12024782            | MOTOBOMBA 230V AC 1N 50Hz       | MOTOR 230V AC 1N 50Hz 74,6   |             |        | 1  |  |  |  |  |  |
| 1    | 12046064            | KIT GENERADOR VAPOR 202         | STEAM GENERATOR 202 KIT      |             | 1      | 1  |  |  |  |  |  |
| 5    | 12023573            | ELECTRODO ALTO                  | HIGH LEVEL ELECTRODE         |             | 1      | 1  |  |  |  |  |  |
| 6    | 12023574            | ELECTRODO BAJO                  | LOW LEVEL ELECTRODE          |             | 1      | 1  |  |  |  |  |  |
| 7    | 12023575            | ELECTRODO DE MASA               | EARTH ELECTRODE              |             | 1      | 1  |  |  |  |  |  |
| 10   | 12024752            | RESISTENCIA 3x3000W 230V        | RESISTOR 3x3000W 230V        |             | 1      | 1  |  |  |  |  |  |
| 12   | 12024747            | RESISTENCIA 3x3000W             | RESISTOR 3x3000W             |             | 5      | 5  |  |  |  |  |  |
| 16   | 12039546            | MOTOBOMBA 230V AC 1N 50/60Hz    | PUMP 230V AC 50/60Hz 30W 1N  |             | 1      | 1  |  |  |  |  |  |
| 17   | 12023901            | CONJUNTO TERMOPAR VAPOR (Tg)    | STEAM THERMOCOUPLE UNIT (Tg) |             | 1      | 1  |  |  |  |  |  |

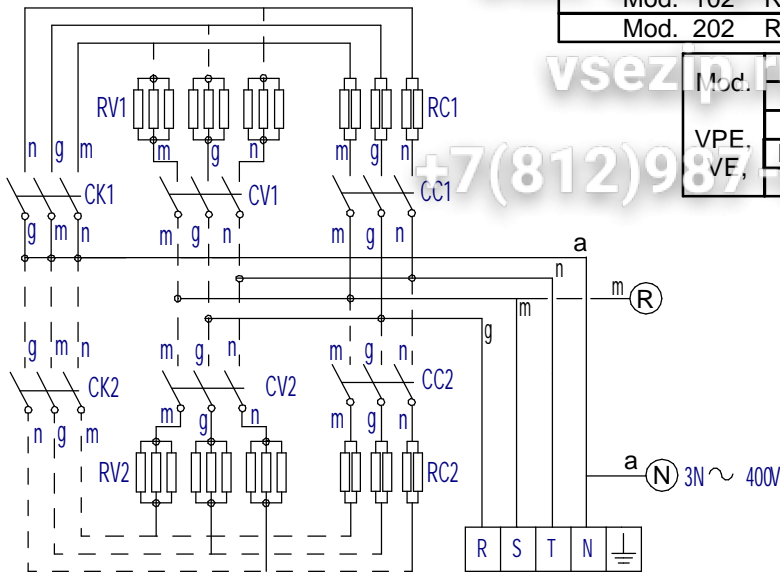


3 ~ 400V

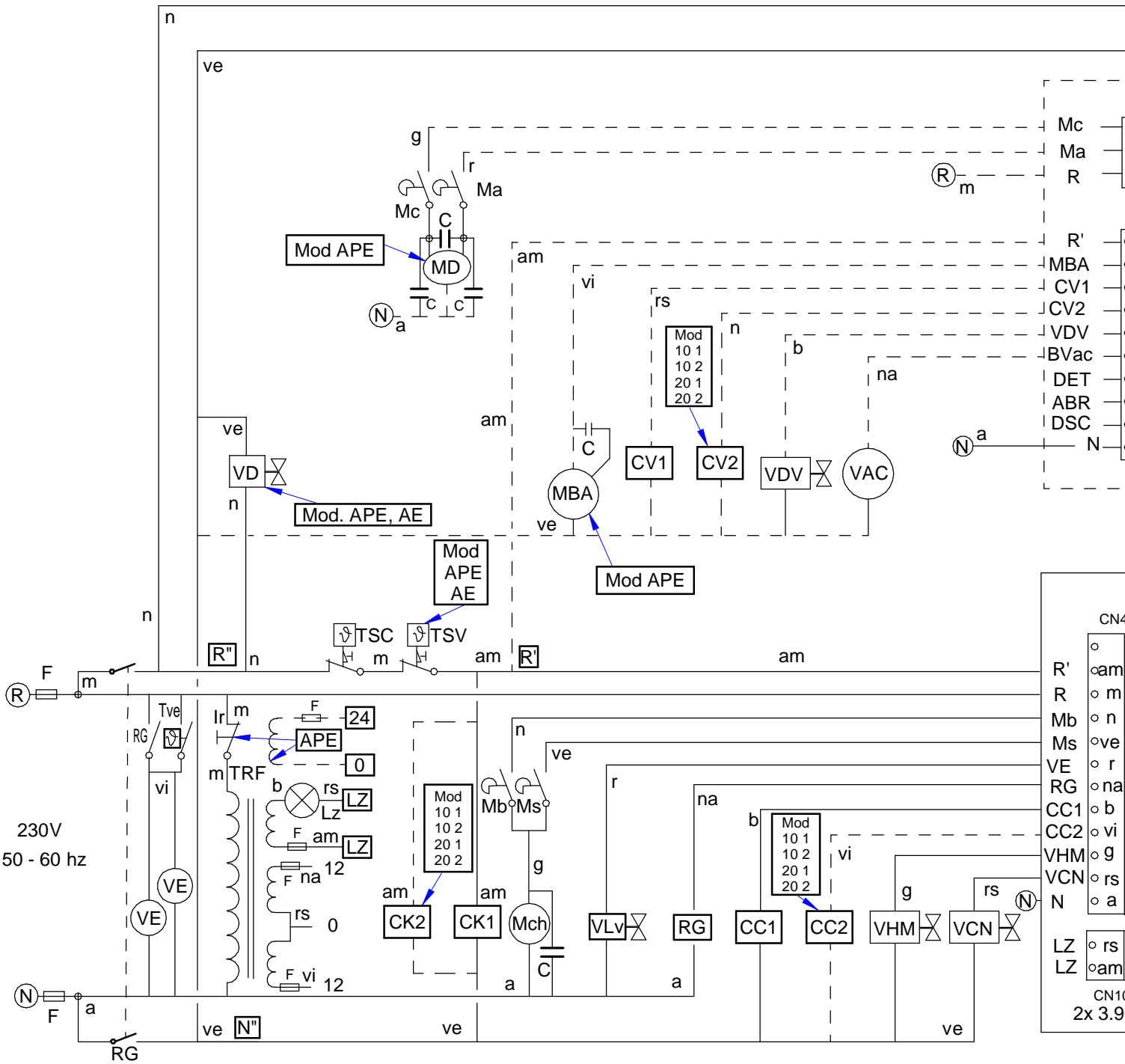
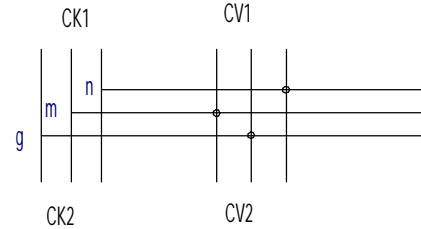
|          |           |
|----------|-----------|
| Mod. 101 | RC2=3x3KW |
| Mod. 201 | RC2=3x6KW |
| Mod. 102 | RC2=3x5KW |
| Mod. 202 | RC2=6x5KW |

|               |           |
|---------------|-----------|
| Mod. 061, 101 | RC1=3x3KW |
| Mod. 201      | RC1=3x6KW |
| Mod. 102      | RC1=3x5KW |
| Mod. 202      | RC1=6x5KW |

|               |           |
|---------------|-----------|
| Mod. 061, 101 | RV1=3x3KW |
| Mod. 201, 102 | RV1=6x3KW |
| Mod. 202      | RV1=9x3KW |
| Mod. 101, 102 | RV2=3x3KW |
| Mod. 202      | RV2=9x3KW |



3 ~ 230V

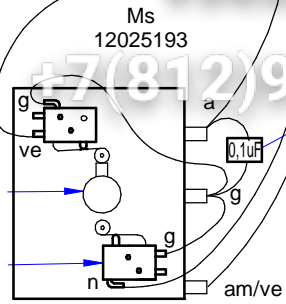
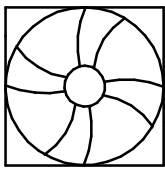


VE 061,101,102 12023862  
 VE 201,202 12023862

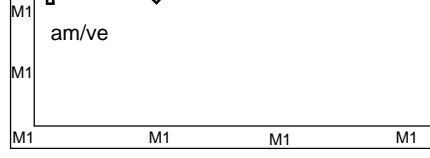
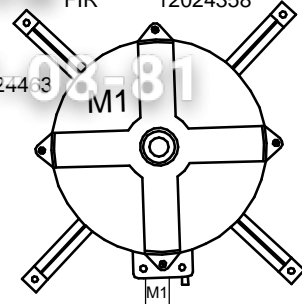
Зип Общепит

vsezip.ru

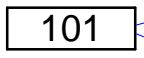
+7(812)987-08-81



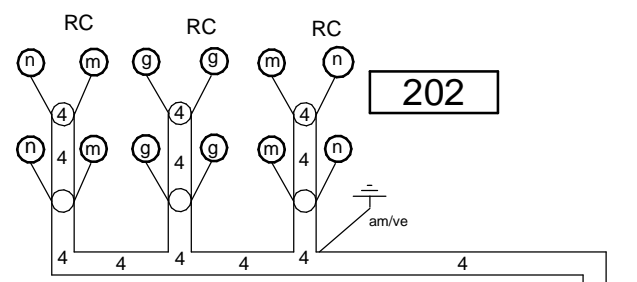
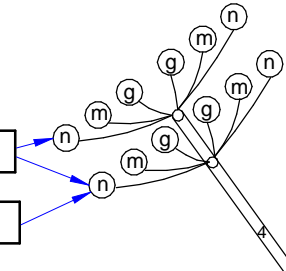
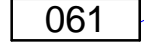
Hanning 12024325  
 FIR 12024358



12039496

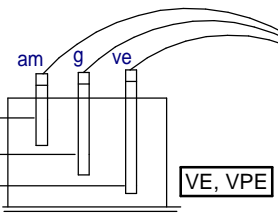


12039497

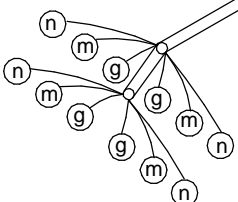


202

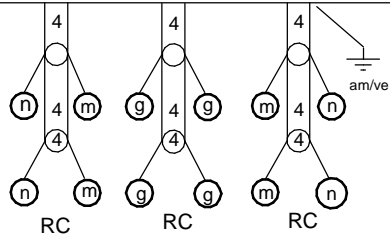
12023573  
 12023574  
 12023575



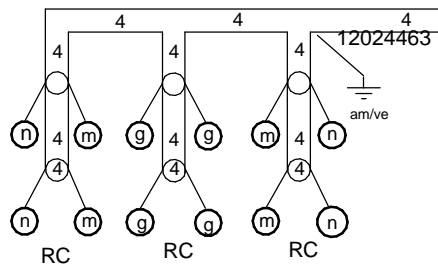
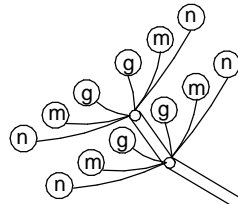
**RC 202**  
 15+15 KW 12024349 + 12024359



201



**RC 102**  
 15+15 KW 12024349 + 12024359

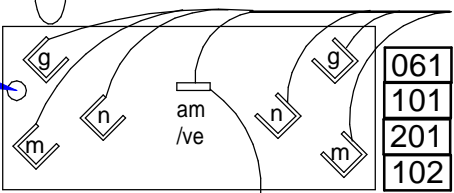


**RC 202** 15+15 KW  
 12024349 + 12024359

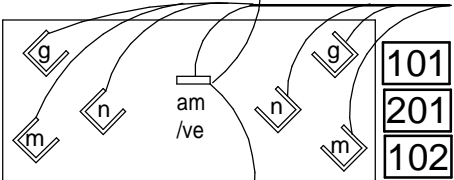
TSV

Tg

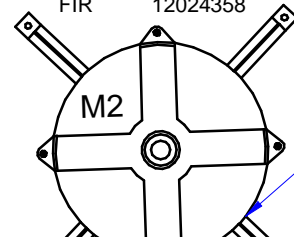
RV 12024752  
 APE, AE



RV 12024752  
 APE, AE



Hanning 12024325  
 FIR 12024358



20X

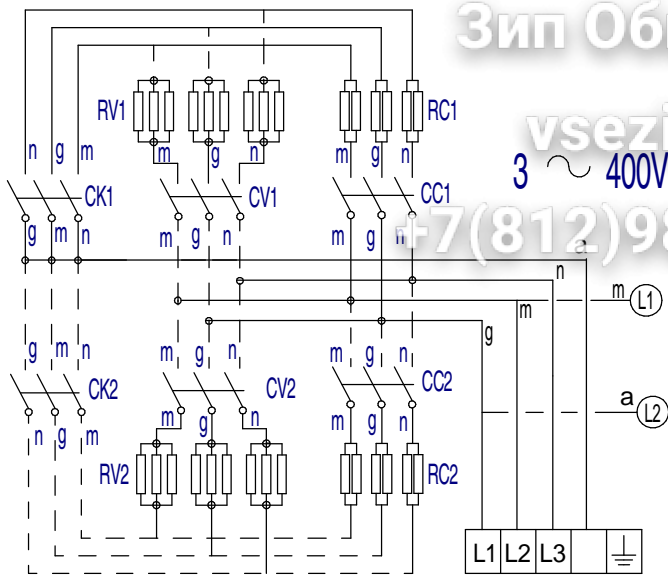




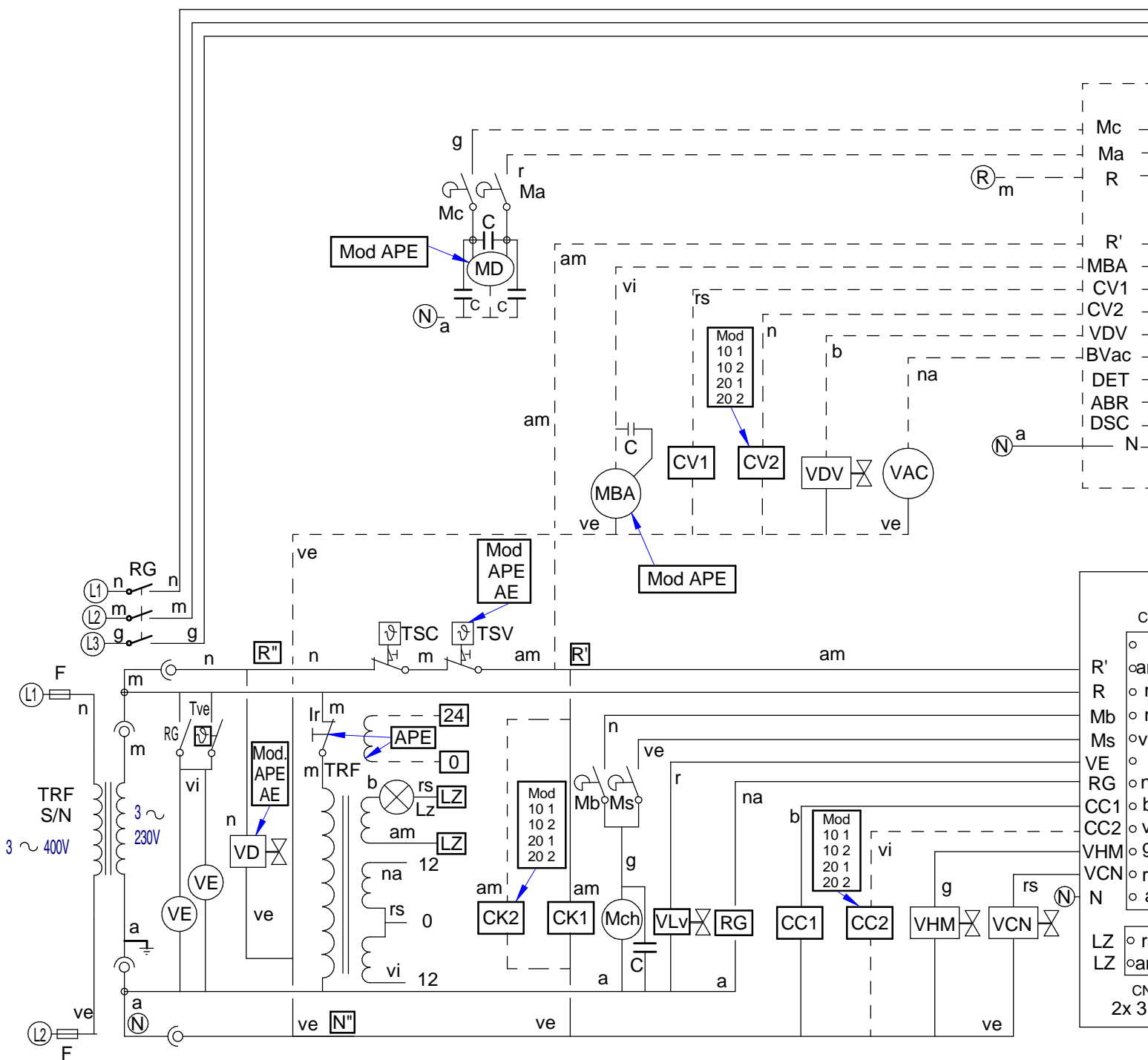
Зип Общепит

|          |           |
|----------|-----------|
| Mod. 101 | RC2=3x3KW |
| Mod. 201 | RC2=3x6KW |
| Mod. 102 | RC2=3x5KW |
| Mod. 202 | RC2=6x5KW |

|               |   |
|---------------|---|
| Mod. 061, 101 | R |
| Mod. 201      | R |
| Mod. 102      | R |
| Mod. 202      | R |



|      |                    |           |
|------|--------------------|-----------|
| Mod. | Mod. 061, 101      | RV1=3x3KW |
|      | Mod. 201, 102      | RV1=6x3KW |
|      | Mod. 202           | RV1=9x3KW |
| VDE  | Mod. 101, 102, 201 | RV2=3x3KW |
| VE   | Mod. 202           | RV2=9x3KW |

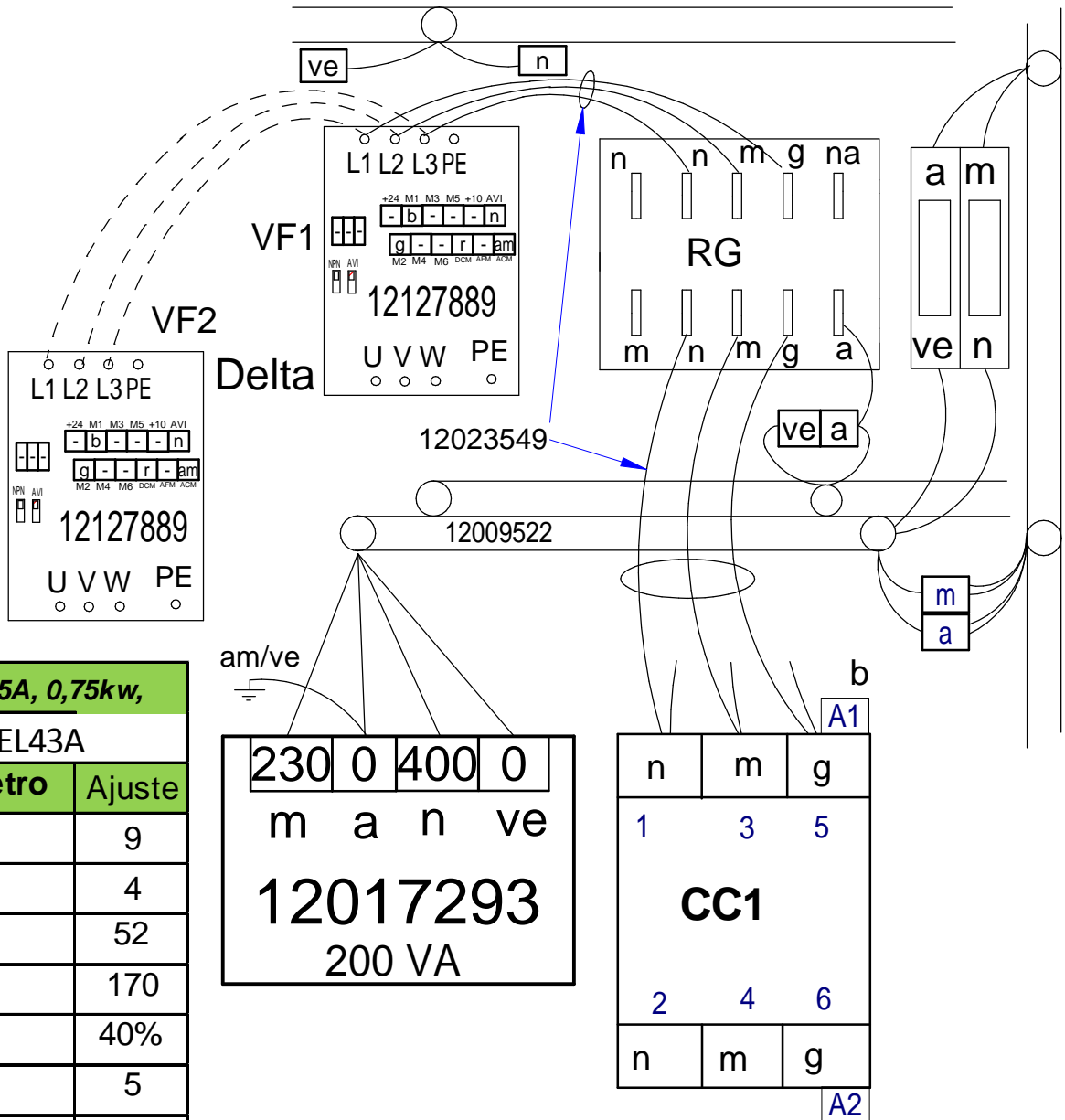


# KIT 400V SIN NEUTRO HORNOS ELECTRICOS

## 400V KIT, WITHOUT NEUTRAL ELECTRIC OVENS

12004270

3 ~ 400 V Sin Neutro



| 400V, 2,5A, 0,75kw, |        |
|---------------------|--------|
| VFD007EL43A         |        |
| Parámetro           | Ajuste |
| 00.02               | 9      |
| 00.04               | 4      |
| 01-00               | 52     |
| 01-02               | 170    |
| 01-08               | 40%    |
| 01-09               | 5      |
| 01-10               | 5      |
| 02.03               | 12     |
| 02.05               | 2      |
| 04.04               | 1      |
| 06-02               | 100%   |
| 06-06               | 1      |
| 08.15               | 3      |

### Esquema Electrico 12093105

Nota: El cable azul que va a CK1, conectarlo a CV1 junto al cable gris.

Note: The blue wire that going to CK1, Connect to CV1 with gray wire together.

|                      | <b>ESPAÑOL</b>                    | <b>ENGLISH</b>                    | <b>FRANÇAIS</b>   |
|----------------------|-----------------------------------|-----------------------------------|-------------------|
| BEC                  | Bujía Encendido Cámara            | Chamber Spark Plug                | Bougie Allumage   |
| BEV                  | Bujía Encendido Caldera           | Boiler Spark Plug                 | Bougie Allumage   |
| C.C.                 | Control Camara                    | Chamber Control                   | Contrôle Chambr   |
| C.E.C                | Control Combustión Cámara         | Chamber Combustion Control        | Contrôle Comb     |
| C.E.V                | Control Combustión Caldera        | Boiler Combustion Control         | Contrôle Comb     |
| C.G.                 | Control Gas                       | Control Gas                       | Contrôle Gaz      |
| C.V.                 | Control Caldera                   | Boiler Control                    | Contrôle Chaud    |
| CC1, CC2             | Contactador Resistencia Cámara    | Chamber Heating Element Contactor | Contacteur Élém   |
| CK1, CK2             | Contactador General Calentamiento | Heating Element Relay             | Relais Élément    |
| CV1, CV2             | Contactador Resistencias Caldera  | Boiler Heating Element Contactor  | Contacteur Élém   |
| DEC                  | Detector Llama Cámara             | Chamber Flame Detector            | Détecteur Flam    |
| DEV                  | Detector Llama Caldera            | Boiler Flame Detector             | Détecteur Flam    |
| DN                   | Detector Nivel Caldera            | Boiler Level Detector             | Détecteur Nivea   |
| E1, E2, E3           | Encendedor, generador de chispa   | Spark generator                   | Générateur d'ét   |
| F, F1, F2, F3, F4, F | Fusibles                          | Fuses                             | Fusibles          |
| FI                   | Filtro Interferencias             | Interference Filter               | Filtre Interféren |
| FM                   | Térmico Motor                     | Thermal Engine                    | Thermique Mote    |
| GV1, GV2             | Electro válvula Gas Cámara        | Chamber Gas Solenoid Valve        | Électrovanne G    |
| GV3, GV4             | Electro válvula Gas Caldera       | Boiler Gas Solenoid Valve         | Électrovanne G    |
| Ip                   | Interruptor Seguridad Puerta      | Door Safety Switch                | Interrupteur Sé   |
| Lz                   | Luz Interior                      | Inner Light                       | Éclairage Intérie |
| M, M2                | Motor Turbina                     | Turbine Engine                    | Moteur Turbine    |
| Ma                   | Interruptor Micro Abierto         | Open Microswitch                  | Microrupteur Ou   |
| Mb                   | Interruptor Micro Bajada          | Drop Microswitch                  | Microrupteur De   |
| Mc                   | Interruptor Micro Cerrado         | Closed Microswitch                | Microrupteur Fe   |
| Mch                  | Motor Chimenea                    | Stack Engine                      | Moteur Chemin     |
| MD                   | Motor Desague                     | Drain Engine                      | Moteur évacuat    |
| Ms                   | Interruptor Micro Subida          | Rise Microswitch                  | Microrupteur M    |
| RC                   | Resistencias Cámara               | Chamber Heating Element           | Éléments Chau     |
| RG                   | Rele General                      | Main Relay                        | Relais Général    |
| RV                   | Resistencias Caldera              | Boiler Heating Element            | Éléments Chau     |
| Tc                   | Sonda Cámara                      | Chamber Probe                     | Sonde Chambr      |
| TCN                  | Termostato Condensación           | Condensation Thermostat           | Thermostat Cor    |
| Tg                   | Sonda Caldera                     | Boiler Probe                      | Sonde Chaudièr    |
| Tn                   | Sonda Núcleo                      | Core Probe                        | Sonde Noyau       |
| TRF                  | Transformador                     | Transformer                       | Transformateur    |
| TSC                  | Termostato Seguridad Cámara       | Chamber Safety Thermostat         | Thermostat Sé     |
| TSV                  | Termostato Seguridad Caldera      | Boiler Safety Thermostat          | Thermostat Sé     |
| Tv                   | Sonda Vapor                       | Steam Probe                       | Sonde Vapeur      |
| VAC                  | Bomba Vaciado                     | Vacuum Pump                       | Pompe Vidange     |
| MBA                  | Moto Bomba Aclarado               | Rinsing Pump                      | Pompe Rinçage     |
| VC1, VC2             | Ventilador Soplante Camara        | Blowing Fan                       | Ventilateur Sou   |
| VCN                  | Electro válvula Condensación      | Condensation Solenoid Valve       | Électrovanne C    |
| VDV                  | Electro válvula Llenado Caldera   | Chamber Filling Solenoid Valve    | Électrovanne R    |
| VE                   | Ventilador Cuadro Eléctrico       | Fan Switchboard                   | Ventilateur Tabl  |
| VF1, VF2             | Variador de Frecuencia            | Speed Variator                    | Variateur Vites   |
| VHM                  | Electro válvula Humidificador     | Humidifier Solenoid Valve         | Électrovanne H    |
| Vv                   | Ventilador Soplante Caldera       | Boiler Blowing Fan                | Ventilateur sou   |
|                      | <b>COLORES</b>                    | <b>COLOUR</b>                     | <b>COULEURS</b>   |
| a / BLU              | Azul                              | Blue                              | Bleu              |
| am / YEL             | Amarillo                          | Yellow                            | Jaune             |
| am ve / YEL GRN      | Amarillo/verde                    | Yellow / green                    | Jaune / vert      |
| b / WHT              | Blanco                            | White                             | Blanc             |
| g / GRY              | Gris                              | Grey                              | Gris              |
| m / BRN              | Marrón                            | Brown                             | Marron            |
| n / BLK              | Negro                             | Black                             | Noir              |
| na / ORG             | Naranja                           | Orange                            | Orange            |
| r / RED              | Rojo                              | Red                               | Rouge             |
| rs / PNK             | Rosa                              | Pink                              | Rose              |
| ve / GRN             | Verde                             | Green                             | Vert              |
| vi / PRP             | Violeta                           | Purple                            | Violet            |