



Зип Общепит

vsezip.ru

+7(812)987-08-81

GLO-RAY®

Designer Merchandising Warmer

GR2SD Series

<i>GR2SDS-24</i>	<i>GR2SDS-42D</i>
<i>GR2SDS-24D</i>	<i>GR2SDS-48</i>
<i>GR2SDS-30</i>	<i>GR2SDS-48D</i>
<i>GR2SDS-30D</i>	<i>GR2SDS-54</i>
<i>GR2SDS-36</i>	<i>GR2SDS-54D</i>
<i>GR2SDS-36D</i>	<i>GR2SDS-60</i>
<i>GR2SDS-42</i>	<i>GR2SDS-60D</i>

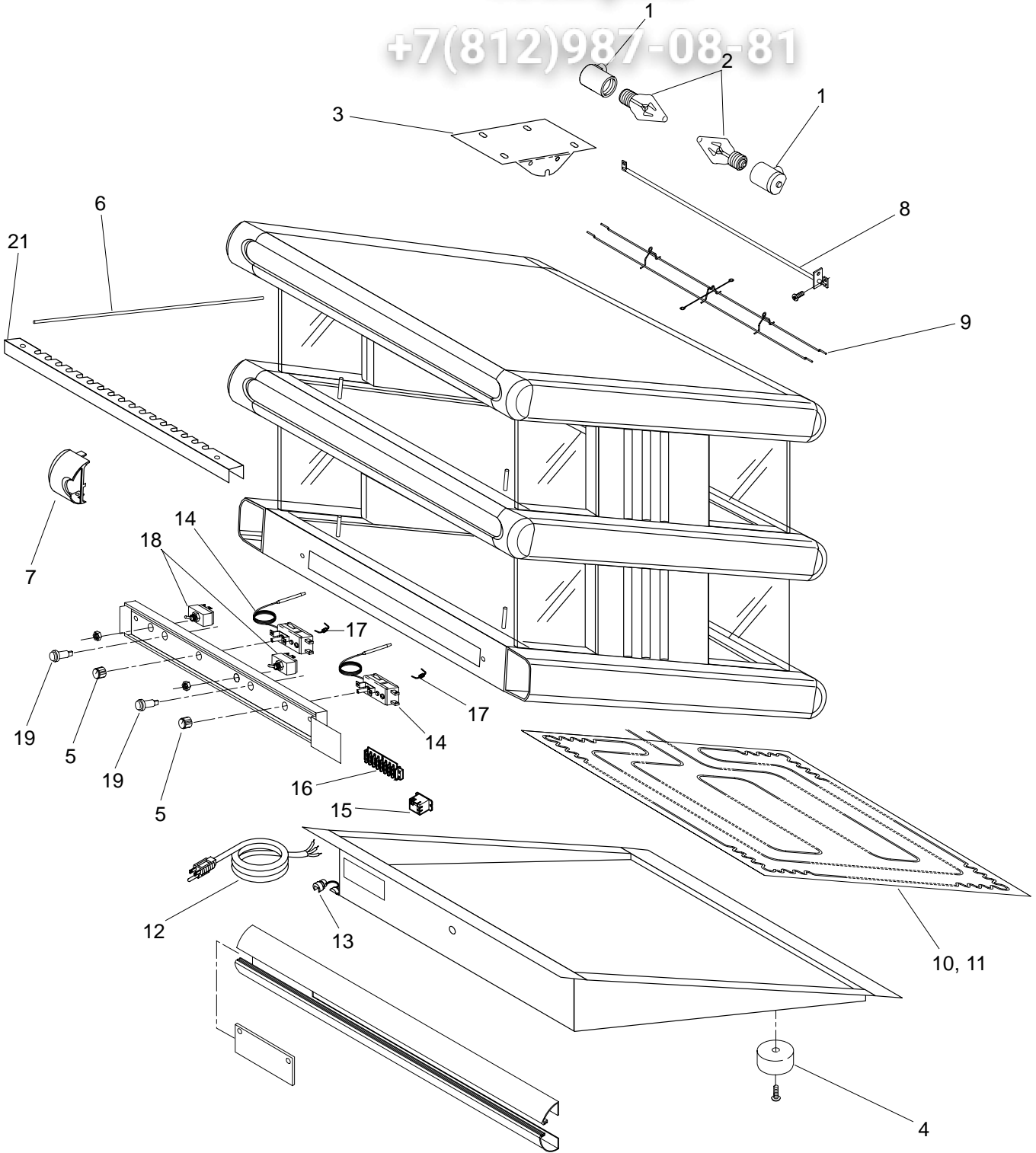
**REPLACEMENT
PARTS LIST**

HATCO GLO-RAY
GR2SDS Series
Designer Merchandising Warmer

Зип Общепит

vsezip.ru

+7(812)987-08-81



PARTS COMMON TO ALL GR2SDS MODELS

ITEM	DESCRIPTION	PART NO.	QTY.	ITEM	DESCRIPTION	PART NO.	QTY.
1	Light Socket, Single	02.30.044.00	2-4	5	Knob, Thermostat	05.30.018.00	1-2
2	Light Bulb	02.30.043.00	2-4	6	Rod, Product Divider	04.15.112.00	5-24
3	End Cover	04.32.236.00	4-8	7	Plastic Bullnose	04.09.078.00	8-12
4	Rubber Foot	05.30.064.00	4				

+7(812)987-08-81

MODEL GR2SDS-24		120V	120/208V	120/240V	220/230V	230/240V
ITEM	DESCRIPTION	60 Hz	60 Hz	60 Hz	50 Hz	50 Hz
8	Heating Element, Upper, 175 Watts (Qty. 2)	02.08.275.00	---	---		
9	Guard, Upper Heating Element	04.32.090.00	---	---		
10	Blanket Element	02.05.353.00	---	---		
11	Blanket Element	---	---	---		
12	Power Cord w/Plug	R02.18.030.00	---	---		
13	Strain Relief	02.20.259.00	---	---		
14	Thermostat, Base	02.16.039.00	---	---		
15	Relay	02.01.060.00	---	---		
16	Terminal Block	---	---	---		
17	Diode	02.40.012.00	---	---		
18	Toggle Switch, On/Off	02.19.016.00	---	---		
19	Indicator Light, Red	02.19.070R.00	---	---		
20	Rubber Boot, Toggle Switch (not shown)	---	---	---		
21	Divider Rod	04.15.054.00	---	---		
	Electrical Drawing	HS1-4509	---	---		

MODEL GR2SDS-24D		120V	120/208V	120/240V	220/230V	230/240V
ITEM	DESCRIPTION	60 Hz	60 Hz	60 Hz	50 Hz	50 Hz
8	Heating Element, Upper, 175 Watts (Qty. 4)	02.08.275.00	---	---		
9	Guard, Upper Heating Element	04.32.090.00	---	---		
10	Blanket Element, Middle	02.05.353.00	---	---		
11	Blanket Element, Bottom	02.05.354.00	---	---		
12	Power Cord w/Plug	R02.18.030.00	---	---		
13	Strain Relief	02.20.259.00	---	---		
14	Thermostat, Base (Qty. 2)	02.16.039.00	---	---		
15	Relay (Qty. 2)	02.01.060.00	---	---		
16	Terminal Block	---	---	---		
17	Diode (Qty. 2)	02.40.012.00	---	---		
18	Toggle Switch, On/Off (Qty. 2)	02.19.016.00	---	---		
18	Indicator Light, Red (Qty. 2)	02.19.070R.00	---	---		
20	Rubber Boot, Toggle Switch (not shown)	---	---	---		
21	Divider Rod	04.15.054.00	---	---		
	Electrical Drawing	HS2-4110	---	---		

MODEL GR2SDS-30		120V	120/208V	120/240V	220/230V	230/240V
ITEM	DESCRIPTION	60 Hz	60 Hz	60 Hz	50 Hz	50 Hz
8	Heating Element, Upper, 225 Watts (Qty. 2)	02.08.269.00	---	---		
9	Guard, Upper Heating Element	04.32.069.00	---	---		
10	Blanket Element	02.05.341.00	---	---		
11	Blanket Element	---	---	---		
12	Power Cord w/Plug	R02.18.030.00	---	---		
13	Strain Relief	02.20.259.00	---	---		
14	Thermostat, Base	02.16.039.00	---	---		
15	Relay	02.01.060.00	---	---		
16	Terminal Block	---	---	---		
17	Diode	02.40.012.00	---	---		
18	Toggle Switch, On/Off	02.19.016.00	---	---		
19	Indicator Light, Red	02.19.070R.00	---	---		
20	Rubber Boot, Toggle Switch (not shown)	---	---	---		
21	Divider Rod	04.17.753.00	---	---		
	Electrical Drawing	HS1-4527	---	---		

Shaded area reflects export models only.

MODEL GR2SDS-30D		120V	120/208V	120/240V	220/230V	230/240V
ITEM	DESCRIPTION	60 Hz	60 Hz	60 Hz	50 Hz	50 Hz
8	Heating Element, Upper, 225 Watts (Qty. 4)	02.08.269.00	---	---		
9	Guard, Upper Heating Element	04.32.069.00	---	---		
10	Blanket Element, Middle	02.05.342.00	---	---		
11	Blanket Element, Bottom	02.05.341.00	---	---		
12	Power Cord w/Plug	R02.18.030.00	---	---		
13	Strain Relief	02.20.253.00	---	---		
14	Thermostat, Base (Qty. 2)	02.16.039.00	---	---		
15	Relay (Qty. 2)	02.01.060.00	---	---		
16	Terminal Block	---	---	---		
17	Diode (Qty. 2)	02.40.012.00	---	---		
18	Toggle Switch, On/Off (Qty. 2)	02.19.016.00	---	---		
19	Indicator Light, Red (Qty. 2)	02.19.070R.00	---	---		
20	Rubber Boot, Toggle Switch (not shown)	---	---	---		
21	Divider Rod	04.17.753.00	---	---		
	Electrical Drawing	HS2-4111	---	---		

MODEL GR2SDS-36		120V	120/208V	120/240V	220/230V	230/240V
ITEM	DESCRIPTION	60 Hz	60 Hz	60 Hz	50 Hz	50 Hz
8	Heating Element, Upper, 275 Watts (Qty. 2)	02.08.270.00	---	---		
9	Guard, Upper Heating Element	04.32.070.00	---	---		
10	Blanket Element	02.05.343.00	---	---		
11	Blanket Element	---	---	---		
12	Power Cord w/Plug	R02.18.030.00	---	---		
13	Strain Relief	02.20.259.00	---	---		
14	Thermostat, Base	02.16.039.00	---	---		
15	Relay	02.01.060.00	---	---		
16	Terminal Block	---	---	---		
17	Diode	02.40.012.00	---	---		
18	Toggle Switch, On/Off	02.19.016.00	---	---		
19	Indicator Light, Red	02.19.070R.00	---	---		
20	Rubber Boot, Toggle Switch (not shown)	---	---	---		
21	Divider Rod	04.15.754.00	---	---		
	Electrical Drawing	HS1-4555	---	---		

MODEL GR2SDS-36D		120V	120/208V	120/240V	220/230V	230/240V
ITEM	DESCRIPTION	60 Hz	60 Hz	60 Hz	50 Hz	50 Hz
8	Heating Element, Upper, 275 Watts (Qty. 4)	02.08.270.00	---	---		
9	Guard, Upper Heating Element	04.32.070.00	---	---		
10	Blanket Element, Middle	02.05.344.00	---	---		
11	Blanket Element, Bottom	02.05.343.00	---	---		
12	Power Cord w/Plug	R02.18.030.00	---	---		
13	Strain Relief	02.20.259.00	---	---		
14	Thermostat, Base (Qty. 2)	02.16.039.00	---	---		
15	Relay (Qty. 2)	02.01.060.00	---	---		
16	Terminal Block	---	---	---		
17	Diode (Qty. 2)	02.40.012.00	---	---		
18	Toggle Switch, On/Off (Qty. 2)	02.19.016.00	---	---		
19	Indicator Light, Red (Qty. 2)	02.19.070R.00	---	---		
20	Rubber Boot, Toggle Switch (not shown)	---	---	---		
21	Divider Rod	04.15.754.00	---	---		
	Electrical Drawing	HS2-4112	---	---		

Shaded area reflects export models only.

MODEL GR2SDS-42		120V	120/208V	120/240V	220/230V	230/240V
ITEM	DESCRIPTION	60 Hz	60 Hz	60 Hz	50 Hz	50 Hz
8	Heating Element, Upper, 325 Watts (Qty. 2)	02.08.271.00	---	---		
9	Guard, Upper Heating Element	04.32.071.00	---	---		
10	Blanket Element	02.05.345.00	---	---		
11	Blanket Element	---	---	---		
12	Power Cord w/Plug	R02.18.030.00	---	---		
13	Strain Relief	02.20.259.00	---	---		
14	Thermostat, Base	02.16.039.00	---	---		
15	Relay	02.01.060.00	---	---		
16	Terminal Block	---	---	---		
17	Diode	02.40.012.00	---	---		
18	Toggle Switch, On/Off	02.19.016.00	---	---		
19	Indicator Light, Red	02.19.070R.00	---	---		
20	Rubber Boot, Toggle Switch (not shown)	---	---	---		
21	Divider Rod	04.32.050.00	---	---		
	Electrical Drawing	HS1-4556	---	---		

MODEL GR2SDS-42D		120V	120/208V	120/240V	220/230V	230/240V
ITEM	DESCRIPTION	60 Hz	60 Hz	60 Hz	50 Hz	50 Hz
8	Heating Element, Upper, 325 Watts (Qty. 4)	---	02.08.271.00	02.08.271.00		
9	Guard, Upper Heating Element	---	04.32.071.00	04.32.071.00		
10	Blanket Element, Middle	---	02.05.346.00	02.05.346.00		
11	Blanket Element, Bottom	---	02.05.345.00	02.05.345.00		
12	Power Cord w/Plug	---	R02.18.085.00	R02.18.085.00		
13	Strain Relief	---	02.20.259.00	02.20.259.00		
14	Thermostat, Base (Qty. 2)	---	02.16.039.00	02.16.039.00		
15	Relay (Qty. 2)	---	02.01.060.00	02.01.060.00		
16	Terminal Block	---	---	---		
17	Diode (Qty. 2)	---	02.40.012.00	02.40.012.00		
18	Toggle Switch, On/Off (Qty. 2)	---	02.19.016.00	02.19.016.00		
19	Indicator Light, Red (Qty. 2)	---	02.19.070R.00	02.19.070R.00		
20	Rubber Boot, Toggle Switch (not shown)	---	---	---		
21	Divider Rod	---	04.32.050.00	04.32.050.00		
	Electrical Drawing	---	HS2-4113	HS2-4113		

MODEL GR2SDS-48		120V	120/208V	120/240V	220/230V	230/240V
ITEM	DESCRIPTION	60 Hz	60 Hz	60 Hz	50 Hz	50 Hz
8	Heating Element, Upper, 375 Watts (Qty. 2)	02.08.272.00	---	---		
9	Guard, Upper Heating Element	04.32.072.00	---	---		
10	Blanket Element	02.05.347.00	---	---		
11	Blanket Element	---	---	---		
12	Power Cord w/Plug	R02.18.030.00	---	---		
13	Strain Relief	02.20.259.00	---	---		
14	Thermostat, Base	02.16.039.00	---	---		
15	Relay	02.01.060.00	---	---		
16	Terminal Block	---	---	---		
17	Diode	02.40.012.00	---	---		
18	Toggle Switch, On/Off	02.19.016.00	---	---		
19	Indicator Light, Red	02.19.070R.00	---	---		
20	Rubber Boot, Toggle Switch (not shown)	---	---	---		
21	Divider Rod	04.32.051.00	---	---		
	Electrical Drawing	HS1-4557	---	---		

Shaded area reflects export models only.

MODEL GR2SDS-48D		120V	120/208V	120/240V	220/230V	230/240V
ITEM	DESCRIPTION	60 Hz	60 Hz	60 Hz	50 Hz	50 Hz
8	Heating Element, Upper, 325 Watts (Qty. 4)	---	02.08.272.00	02.08.272.00		
9	Guard, Upper Heating Element	---	04.32.078.00	04.32.078.00		
10	Blanket Element, Middle	---	02.05.348.00	02.05.348.00		
11	Blanket Element, Bottom	---	02.05.347.00	02.05.347.00		
12	Power Cord w/Plug	---	R02.18.033.00	R02.18.033.00		
13	Strain Relief	---	02.20.259.00	02.20.259.00		
14	Thermostat, Base (Qty. 2)	---	02.16.039.00	02.16.039.00		
15	Relay (Qty. 2)	---	02.01.060.00	02.01.060.00		
16	Terminal Block	---	---	---		
17	Diode (Qty. 2)	---	02.40.012.00	02.40.012.00		
18	Toggle Switch, On/Off (Qty. 2)	---	02.19.016.00	02.19.016.00		
19	Indicator Light, Red	---	02.19.070R.00	02.19.070R.00		
20	Rubber Boot, Toggle Switch (not shown)	---	---	---		
21	Divider Rod	---	04.32.051.00	04.32.051.00		
	Electrical Drawing	---	HS2-4114	HS2-4114		

MODEL GR2SDS-54		120V	120/208V	120/240V	220/230V	230/240V
ITEM	DESCRIPTION	60 Hz	60 Hz	60 Hz	50 Hz	50 Hz
8	Heating Element, Upper, 425 Watts (Qty. 2)	02.08.273.00	---	---		
9	Guard, Upper Heating Element	04.32.073.00	---	---		
10	Blanket Element	02.05.349.00	---	---		
11	Blanket Element	---	---	---		
12	Power Cord w/Plug	R02.18.030.00	---	---		
13	Strain Relief	02.20.259.00	---	---		
14	Thermostat, Base	02.16.039.00	---	---		
15	Relay	02.01.060.00	---	---		
16	Terminal Block	---	---	---		
17	Diode	02.40.012.00	---	---		
18	Toggle Switch, On/Off	02.19.016.00	---	---		
19	Indicator Light, Red	02.19.070R.00	---	---		
20	Rubber Boot, Toggle Switch (not shown)	---	---	---		
21	Divider Rod	04.32.052.00	---	---		
	Electrical Drawing	HS1-4560	---	---		

MODEL GR2SDS-54D		120V	120/208V	120/240V	220/230V	230/240V
ITEM	DESCRIPTION	60 Hz	60 Hz	60 Hz	50 Hz	50 Hz
8	Heating Element, Upper, 425 Watts (Qty. 4)	---	02.08.273.00	02.08.273.00		
9	Guard, Upper Heating Element	---	04.32.073.00	04.32.073.00		
10	Blanket Element, Middle	---	02.05.350.00	02.05.350.00		
11	Blanket Element, Bottom	---	02.05.349.00	02.05.349.00		
12	Power Cord w/Plug	---	R02.18.083.00	R02.18.083.00		
13	Strain Relief	---	02.20.259.00	02.20.259.00		
14	Thermostat, Base (Qty. 2)	---	02.16.039.00	02.16.039.00		
15	Relay (Qty. 2)	---	02.01.060.00	02.01.060.00		
16	Terminal Block	---	---	---		
17	Diode (Qty. 2)	---	02.40.012.00	02.40.012.00		
18	Toggle Switch, On/Off (Qty. 2)	---	02.19.016.00	02.19.016.00		
19	Indicator Light, Red	---	02.19.070R.00	02.19.070R.00		
20	Rubber Boot, Toggle Switch (not shown)	---	---	---		
21	Divider Rod	---	04.32.052.00	04.32.052.00		
	Electrical Drawing	---	HS2-4115	HS2-4115		

Shaded area reflects export models only.

MODEL GR2SDS-60		120V	120/208V	120/240V	220/230V	230/240V
ITEM	DESCRIPTION	60 Hz	60 Hz	60 Hz	50 Hz	50 Hz
8	Heating Element, Upper, 475 Watts (Qty. 2)	02.08.274.00	---	---		
9	Guard, Upper Heating Element	04.32.075.00	---	---		
10	Blanket Element	02.05.351.00	---	---		
11	Blanket Element	---	---	---		
12	Power Cord w/Plug	R02.18.083.00	---	---		
13	Strain Relief	02.20.259.00	---	---		
14	Thermostat, Base	02.16.039.00	---	---		
15	Relay	02.01.060.00	---	---		
16	Terminal Block	---	---	---		
17	Diode	02.40.012.00	---	---		
18	Toggle Switch, On/Off	02.19.016.00	---	---		
19	Indicator Light, Red	02.19.070R.00	---	---		
20	Rubber Boot, Toggle Switch (not shown)	---	---	---		
21	Divider Rod	04.15.075.00	---	---		
	Electrical Drawing	HS1-4561	---	---		

MODEL GR2SDS-60D		120V	120/208V	120/240V	220/230V	230/240V
ITEM	DESCRIPTION	60 Hz	60 Hz	60 Hz	50 Hz	50 Hz
8	Heating Element, Upper, 475 Watts (Qty. 4)	---	02.08.274.00	02.08.274.00		
9	Guard, Upper Heating Element	---	04.32.074.00	04.32.074.00		
10	Blanket Element, Middle	---	02.05.352.00	02.05.352.00		
11	Blanket Element, Bottom	---	02.05.351.00	02.05.351.00		
12	Power Cord w/Plug	---	R02.18.083.00	R02.18.083.00		
13	Strain Relief	---	02.20.259.00	02.20.259.00		
14	Thermostat, Base (Qty. 2)	---	02.16.039.00	02.16.039.00		
15	Relay (Qty. 2)	---	02.01.060.00	02.01.060.00		
16	Terminal Block	---	---	---		
17	Diode (Qty. 2)	---	02.40.012.00	02.40.012.00		
18	Toggle Switch, On/Off (Qty. 2)	---	02.19.016.00	02.19.016.00		
19	Indicator Light, Red (Qty. 2)	---	02.19.070R.00	02.19.070R.00		
20	Rubber Boot, Toggle Switch (not shown)	---	---	---		
21	Divider Rod	---	04.15.075.00	04.15.075.00		
	Electrical Drawing	---	HS2-4116	HS2-4116		

Shaded area reflects export models only.

HATCO AUTHORIZED PARTS DISTRIBUTORS

Зип Общепит

vsezip.ru

(812)987-0888

ALABAMA

Jones McLeod Appl. Svc.
Birmingham 205-251-0159

ARIZONA

Auth. Comm. Food Equip.
Phoenix 602-234-2443
Byassee Equipment Co.
Phoenix 602-252-0402

CALIFORNIA

Industrial Electric
Huntington Beach 714-379-7100
Chapman Appl. Service
San Diego 619-298-7106
P & D Appliance
S. San Francisco 650-635-1900

COLORADO

All City Service
Denver 303-454-9500
Hawkins Commercial Appliance
Englewood 303-781-5548

DELAWARE

Food Equipment Service
Wilmington 302-996-9363

FLORIDA

Whaley Foodservice Repair
Jacksonville 904-725-7800
Nass Service Co., Inc.
Orlando 407-425-2681
B.G.S.I.
Pompano Beach 954-971-0456
Comm. Appliance Service
Tampa 813-663-0313

GEORGIA

Southeastern Rest. Svc.
Norcross 770-446-6177

HAWAII

Burney's Comm. Service, Inc.
Honolulu 808-848-1466
Food Equip Parts & Service
Honolulu 808-847-4871

ILLINOIS

Parts Town
Broadview 708-865-7278
Eichenauer Elec. Service
Decatur 217-429-4229
Midwest Elec. Appl. Service
Elmhurst 630-279-8000
Cone's Repair Service
Moline 309-797-5323

INDIANA

Comm. Parts & Service, Inc.
Indianapolis 317-545-9655

IOWA

Electric Motor Service Co.
Davenport 319-323-1823

KENTUCKY

Comm. Parts & Service, Inc.
Louisville 502-367-1788

LOUISIANA

Chandlers Parts & Service
Baton Rouge 225-272-6620

LOUISIANA (Continued)

Bana Comm. Parts, Inc.
Shreveport 318-631-6550

MARYLAND

Electric Motor Service
Baltimore 410-467-8080
GCS Service, Inc.
Silver Spring 301-515-7550

MASSACHUSETTS

Ace Service Co., Inc.
Needham 781-449-4220

MICHIGAN

Commercial Kitchen Service
Bay City 517-893-4561
Bildons Appliance Service
Detroit 248-478-3320
Midwest Food Equip. Service
Grandville 616-261-2000

MINNESOTA

GCS Service
Minneapolis 612-546-4221

MISSOURI

GCS Service, Inc.
Kansas City 816-920-5999
Commercial Kitchen Services
St. Louis 314-890-0700
Kaemmerlen Parts & Service
St. Louis 314-535-2222

NEBRASKA

Anderson Electric
Omaha 402-341-1414

NEVADA

Burney's Commercial
Las Vegas 702-736-0006
Hi. Tech Commercial Service
N. Las Vegas 702-649-4616

NEW JERSEY

Jay Hill Repair
Fairfield 973-575-9145
Service Plus
Flanders 973-691-6300

NEW YORK

Acme American Repairs, Inc.
Brooklyn 718-456-6544
Alpro Service Co.
Brooklyn 718-386-2515
Appliance Installation
Buffalo 716-884-7425
Northern Parts Dist.
Plattsburgh 518-563-3200
J. B. Brady, Inc.
Syracuse 315-422-9271

NORTH CAROLINA

Authorized Appliance
Charlotte 704-377-4501

OHIO

Akron/Canton Comm. Svc. Inc.
Akron 330-753-6635
Certified Service Center
Cincinnati 513-772-6600
GCS Service
Columbus 614-476-3225

OHIO (Continued)

Electrical Appl. Repair Service
Independence 216-459-8700
E. A. Wichman Co.
Toledo 419-385-9121

OKLAHOMA

Hagar Rest. Service, Inc.
Oklahoma City 405-235-2184
Krueger, Inc.
Oklahoma City 405-528-8883

OREGON

Bressie Electric Co.
Portland 503-231-7171
Ron's Service, Inc.
Portland 503-624-0890

PENNSYLVANIA

Authorized Factory Service
Coraopolis 412-262-2330
FAST Comm. Appl. Service
Philadelphia 215-288-4800

GCS Service, Inc.

Pittsburgh 412-787-1970

K & D Service Co.

Harrisburg 717-236-9039

Elmer Schultz Services

Philadelphia 215-627-5401
Electric Repair Co.
Reading 610-376-5444

RHODE ISLAND

Marshall Electric Co.
Providence 401-331-1163

SOUTH CAROLINA

Whaley Foodservice Repair
W. Columbia 803-791-4420

TENNESSEE

Camp Electric
Memphis 901-527-7543

TEXAS

City Kitchen Service Co.
Austin 512-719-4445
Stove Parts Supply
Fort Worth 817-831-0381
Armstrong Repair Service
Houston 713-666-7100
Commercial Kitchen Repair Co.
San Antonio 210-735-2811
San Antonio Rest. Equip.
San Antonio 210-824-3271

UTAH

Peterson's Commercial Parts & Svc.
Salt Lake City 801-487-3653

VIRGINIA

Daubers
Norfolk 757-855-4097
Daubers
Springfield 703-866-3600

WASHINGTON

Restaurant Appl. Service
Seattle 206-524-8200

WISCONSIN

A.S.C., Inc.
Madison 608-246-3160
A.S.C., Inc.
Milwaukee 414-543-6460

HATCO CORPORATION

P.O. Box 340500, Milwaukee, WI 53234-0500 U.S.A.

(800) 558-0607 (414) 671-6350

Parts & Service Fax (800) 690-2966 Int'l. Fax (414) 671-3976

Web Site www.hatcocorp.com