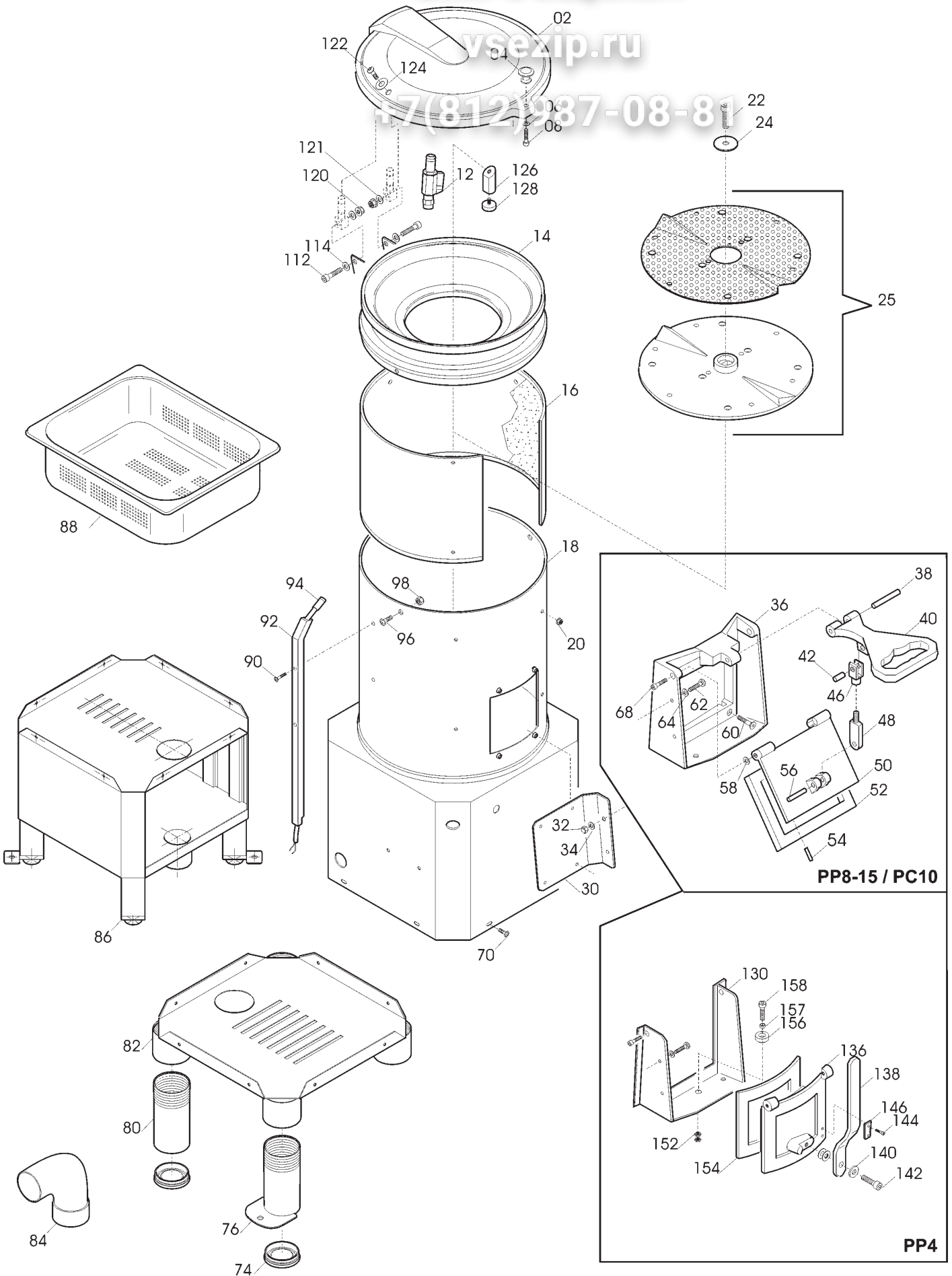


Зип Общепит

vsezip.ru

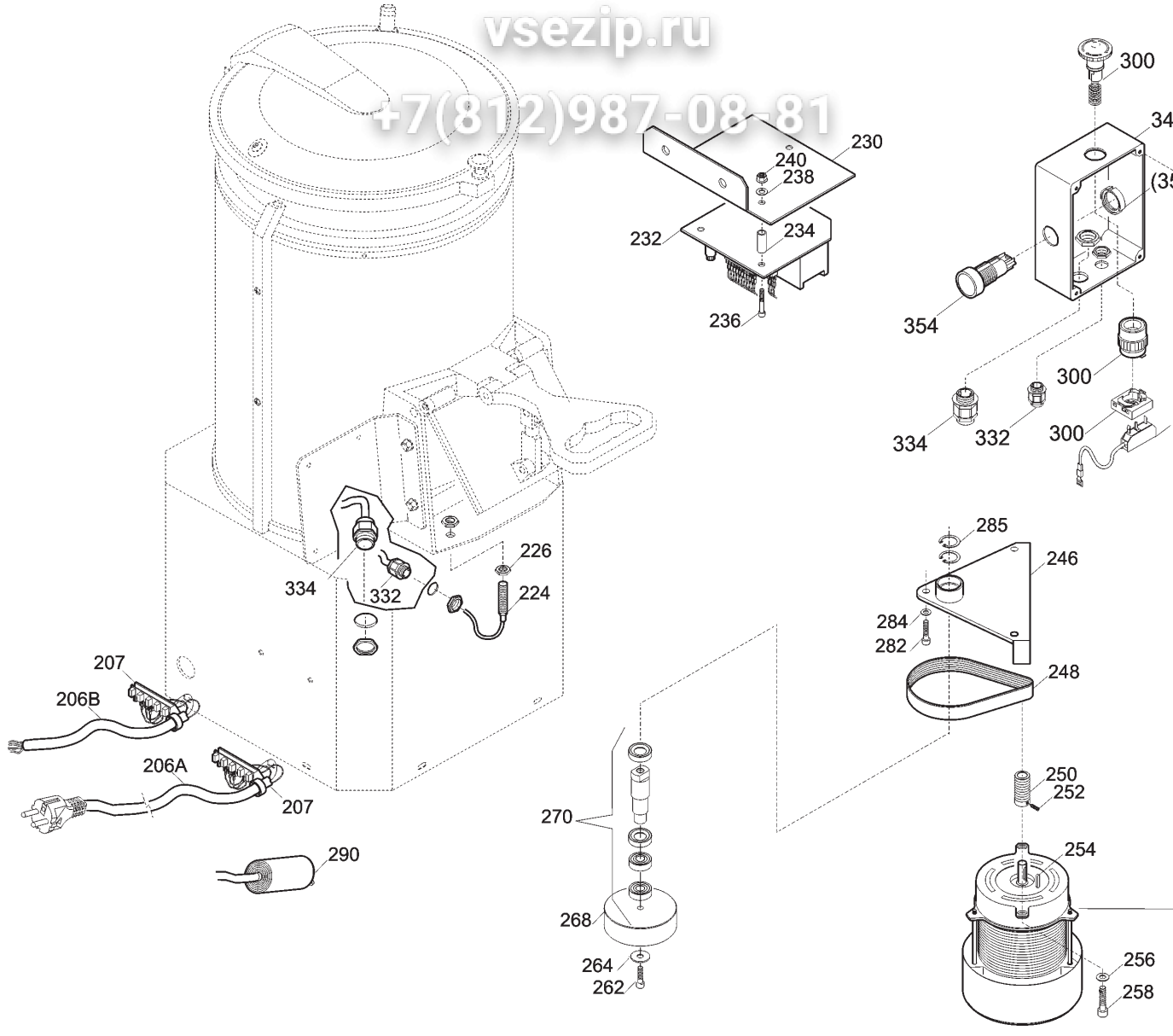
7(812)987-08-81



Зип Ощепит

vsezip.ru

+7(812)987-08-81



PP 4 EXPO CE TAV. 1/2

Ref.	Produktname	Art.kel-Nr
2	DECKEL FUER KARTOFFELSCHALMASCH.	RG04002
4	KNOB FOR COVER_POTATO PEELER PP EX	RG04004
8	FIXING SCREW FOR KNOB_P.PEELER EXPO	RG04008
12	FAUCET FOR POTATO PEELER EXPO	RG04012
14	RING - COVER PP4	RG04014
16	SIDE ABRASIVE PP 4 EXPO	RG04016
18	CARCASSA ACCIAIO INOX PLP EX 4	RG04018
20	NUT FOR POTATO PEELER EXPO	RG04020
22	FIXING SCREW FOR PP EXPO	RG04022
24	WASHER FOR PP EXPO	RG04024
25	PEELING DISC FOR PP 4/8 EXPO	RG04025
30	CONTROLS SUPPORT _ PP EXPO	RG04030
32	DADO PLP EX	RG04032
34	RONDELLA PLP EX	RG04034
62	SCREW	RG04062
64	WASHER	RG04064
68	SCREW	RG08068
70	SCREW	RG04070
74	FOOT BASE - PP4/PP8	RG04074
76	PIEDINI CON ALETTA PLP EX 4/8	RG04076
80	PIEDINI PLP EX 4/8	RG04080
82	FONDO PLP EX 4/8	RG04082
84	DRAIN PIPE FOR POTATO PEELER EXPO	RG04084
90	SCREW	RG04090
92	FASCIA LATERALE PLP EX 4	RG04092
94	MICROSWITCH FOR PP EXPO	RG04094
96	SCREW	RG04096
98	NUT	RG04098
112	FIXING SCREW FOR COVER_P.PEELER EXP	RG04112
114	FIX.WASHER FOR COVER_P.PEELER EXPO	RG04114
120	FIXING NUT FOR HINGE_P.PEELER EXPO	RG04120
122	FIXING SCREW FOR MAGNET_P.PEELER EX	RG04122
124	FIX.WASHER FOR MAGNET_P.PEELER EXPO	RG04124
126	MAGNET-HOLDER FOR POTATO PEELER EX	RG04126
128	MAGNETE X BOCCA ATHOS	IV5823050
130	BOCCA SCARICO PLP EX 4	RG04130
136	SPORTELLO SCARICO PLP EX 4	RG04136
138	LEVA BOCCA SCARICO PLP EX 4	RG04138
140	RONDELLA PLP EX	RG04140
142	VITE PLP EX	RG04142
144	VITE FISS. MAGNETE PLP EX 4	RG04144
146	MAGNETE PLP EX 4	RG04146
152	DADO PLP EX	RG04152
154	OUTLET GASKET FOR PP 4 EXPO	RG04154
156	DADO PLP EX	RG04156
157	RONDELLA PLP EX	RG04157
158	VITE PLP EX	RG04158

PP 4 EXPO CE TAV. 2/2

Ref.	Produktname	Art.Kei-Nr
206A	1-PH POWER CORD FOR P.PEELER EXPO	RG04206A
206B	CAVO ALIMENTAZIONE TF PLP EX	RG04206B
207	MORSETTIERA CORTA PLP EX	RG04207
224	MAGNETIC MICROSHALTER PPEXPO	RG04224
226	NUT FOR MICROSWITCH	RG04226
230	SUPPORTO SCHEDA COMANDO PLP EX	RG04230
232	CIRCUIT BOARD 220/50 _ PP4-8-15 EXP	RG04232
234	SPACER PP 4-8-15 EXPO	RG04234
236	FIXING SCREW PP 4-8-15 EXPO	RG04236
238	RONDELLA PLP EX	RG04238
240	DADO PLP EX	RG04240
246	MOTOR SUPPORT _ PP 4 EXPO	RG04246
248	BELT TB2 34-432X6 FOR PP 4 EXPO	RG04248
250	PULLEY SMALL _ PP 4 EXPO	RG04250
252	GRANO PULEGGIA PICC. PLP EX 4	RG04252
254	SPINA MOTORE PLP EX 4	RG04254
256	WASHER FOR PP 4-8 EXPO	RG04256
258	SCREW FOR PP 4-8 EXPO	RG04258
260C	MOTORE MN 115V/60 HZ PLP EX 4	RG04260C
260D	MOTORE MN 230V/60 HZ PLP EX 4	RG04260D
260F	MOTORE TF 380V/60 HZ PLP EX 4	RG04260F
260G	MOTORE TF 220 PLP EX 4	RG04260G
260A	MOTOR 230/50/1 FOR PP 4 ECO-EXPO	RGE04060A
260B	MOTOR 400/50/3 FOR PP 4 ECO-EXPO	RGE04060B
262	VITE PLP EX 4	RG04262
264	RONDELLA PLP EX 4	RG04264
268	PULLEY FOR PP4 POTATO PEELER	RG04268
270	COUPLING FOR PP 4 EXPO	RG04270
282	VITE PLP EX 4	RG04282
284	RONDELLA PLP EX 4	RG04284
285	INNEURING FUER AUFSCH.	19330301
290	CONDENSAT.12,5MF PLP EX 4/LVC EX 4	RG04290
300	EMERGENCY BUTTON FOR POTATO PEELER	RG04300
328	EMERGENCY BUTTON CONTACT P/PEELER	RG04328
332	STRAIN RELIEF FOR POTATO PEELER	RG04332
334	STRAIN RELIEF FOR POTATO PEELER	RG04334
340	PCB BOX FOR POTATO PEELER	RG04340
342	TIMER+KNOB FOR PP EXPO	RG04342
348	BUTTON TIMER FOR POTATO PEELER	RG04348
352	TIMERGRIFF PP EXPO	RG04352
354	ROT KNOBF PP EXPO	RG04354
356	GRUN KNOB PP EXPO	RG04356