

Зип Общепит

MAR 5-10-20-30

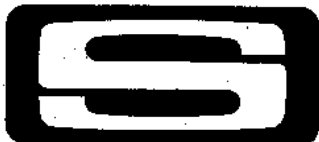
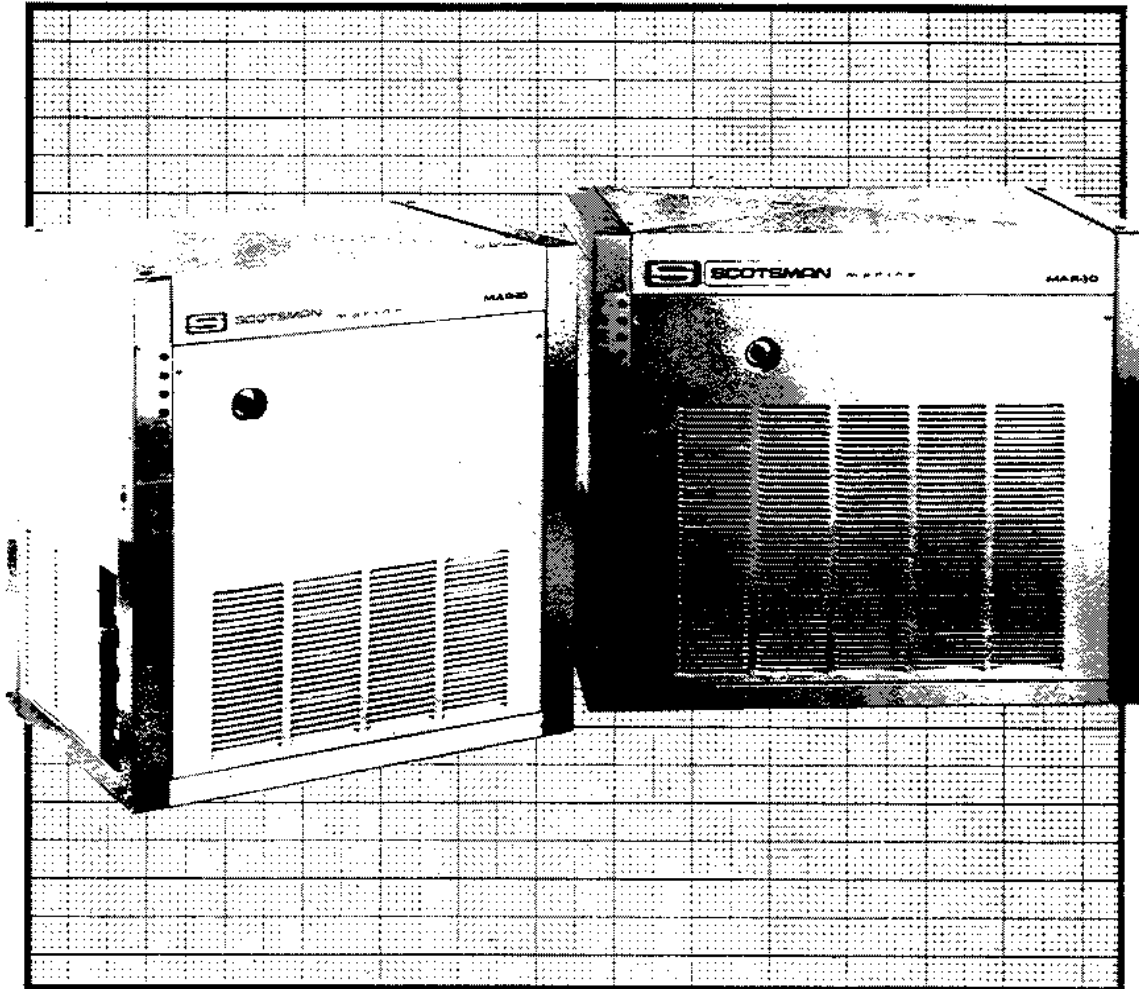
Fresh water scale ice makers

Spare parts list

Catalogo ricambi

Catalogues pièces détachées

Ersatzteilkatalog



SCOTSMAN®

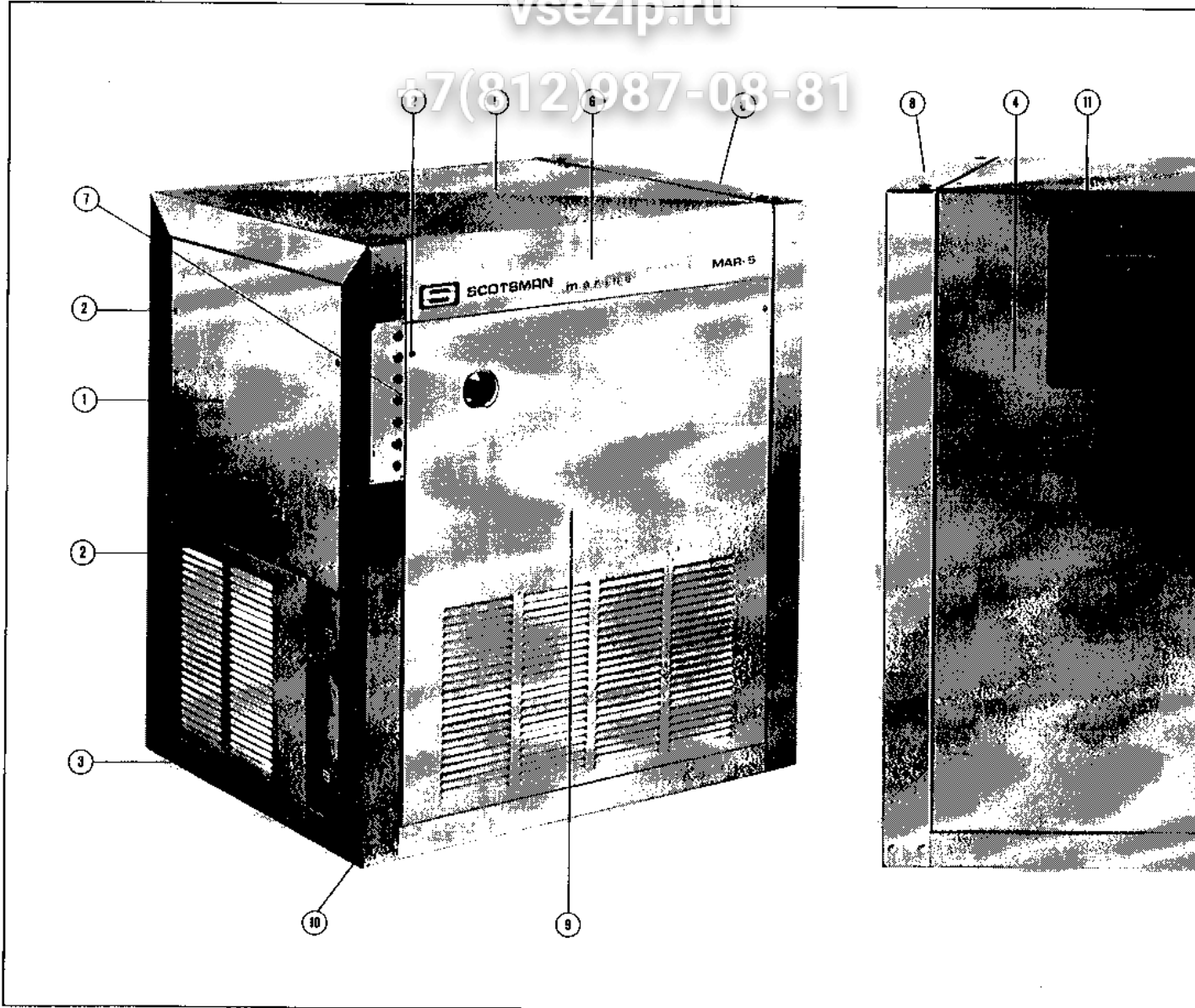
ICE SYSTEMS

PAGE PAGINA PAGE SEITE	TABLE OF CONTENTS	INDICE	TABLE DES MATIÈRES
3	TABLE OF CONTENTS	INDICE	TABLE DES MATIÈRES
4/5	MAR 5-10-20-30 - UNIT PANELS	MAR 5-10-20-30 - ASSIEME MOBILE	MAR 5-10-20-30 - ENS. CORROSSERIE
6/7	MAR 5-10-20-30 - TOP VIEW	MAR 5-10-20-30 - VISTA SUPERIORE	MAR 5-10-20-30 - VUE SUPERIEURE
8/9	MAR 5-10-20-30 - DRIVE SIDE VIEW	MAR 5-10-20-30 - VISTA LATO MOTORIDUTTORE	MAR 5-10-20-30 - VUE COTÉ MOTOREDUCTEUR
10/11	MAR 5-10-20-30 - LEFT SIDE VIEW	MAR 5-10-20-30 - VISTA LATERALE SINISTRA	MAR 5-10-20-30 - VUE COTÉ GAUCHE
12/13	MAR 5-10-20-30 - REAR SIDE VIEW	MAR 5-10-20-30 - VISTA POSTERIORE	MAR 5-10-20-30 - VUE ARRIERE
14/15	MAR 5-10-20-30 - FRONT SIDE VIEW	MAR 5-10-20-30 - VISTA FRONTALE	MAR 5-10-20-30 - VUE FRONTALE
16/17	MAR 30 - AIR COOLED - REM. CONDENSER	MAR 30 - RAFF. AD ARIA - COND. REMOTO	MAR 30 - REFROIDI PAR AIR - COND. A DISTANCE
18/19	MAR 5-10-20-30 - EVAPORATOR ASSY	MAR 5-10-20-30 - ASS. EVAPORATORE	MAR 5-10-20-30 - ENS. EVAPORATEUR
20/21	MAR 5-10-20-30 - SEAL MECH. ASSY	MAR 5-10-20-30 - ASSIEME TENUTA MECCANICA	MAR 5-10-20-30 - ENS. GARNITURE D'ETANCHEITE
22/23	MAR 5-10-20-30 - EVAPORATOR ASSY ■	MAR 5-10-20-30 - ASS. EVAPORATORE ■	MAR 5-10-20-30 - ENS. EVAPORATEUR ■
24/25	MAR 5-10-20-30 - SEAL MECH. ASSY ■	MAR 5-10-20-30 - ASSIEME TENUTA MECCANICA ■	MAR 5-10-20-30 - ENS. GARNITURE D'ETANCHEITE
26/27	MAR 5-10 - EVAPORATOR ASSY *	MAR 5-10 - ASS. EVAPORATORE *	MAR 5-10 - ENS. EVAPORATEUR *
28/29	MAR 5-10-20-30 - GEAR REDUCER ■	MAR 5-10-20-30 - RIDUTTORE ■	MAR 5-10-20-30 - REDUCTEUR ■
30	MAR 5-10-20-30 - WATER COOLED	MAR 5-10-20-30 - RAFF. AD ACQUA	MAR 5-10-20-30 - REFROIDI PAR EAU
	* UP to MAR 5 S.N. 1009 and MAR 10 from S.N. 2001 to S.N. 2009	* Fino al MAR 5 N.S. 1009 e MAR 10 dal N.S. 2001 fino al N.S. 2009	* MAR 5 jusqu'à N.S. 1009 et MAR 10 a partir N.S. 2001 a N.S. 2009
	■ Up to MAR 5 S.N. 1178 MAR 10 S.N. 2092 MAR 20 S.N. 2078 MAR 30 S.N. 1030	■ Fino al MAR 5 N.S. 1178 MAR 10 N.S. 2092 MAR 20 N.S. 2078 MAR 30 N.S. 1030	■ Jusqu'à MAR 5 N.S. 1178 MAR 10 N.S. 2092 MAR 20 N.S. 2078 MAR 30 N.S. 1030

Зип Ощепит

vsezip.ru

+7(812)987-08-81



Зип Общепит

vsezip.ru
MAR 5-10-20-30 - UNIT PANELS - ASSIEME MOBILE - ENS. CORROSERIE - AU

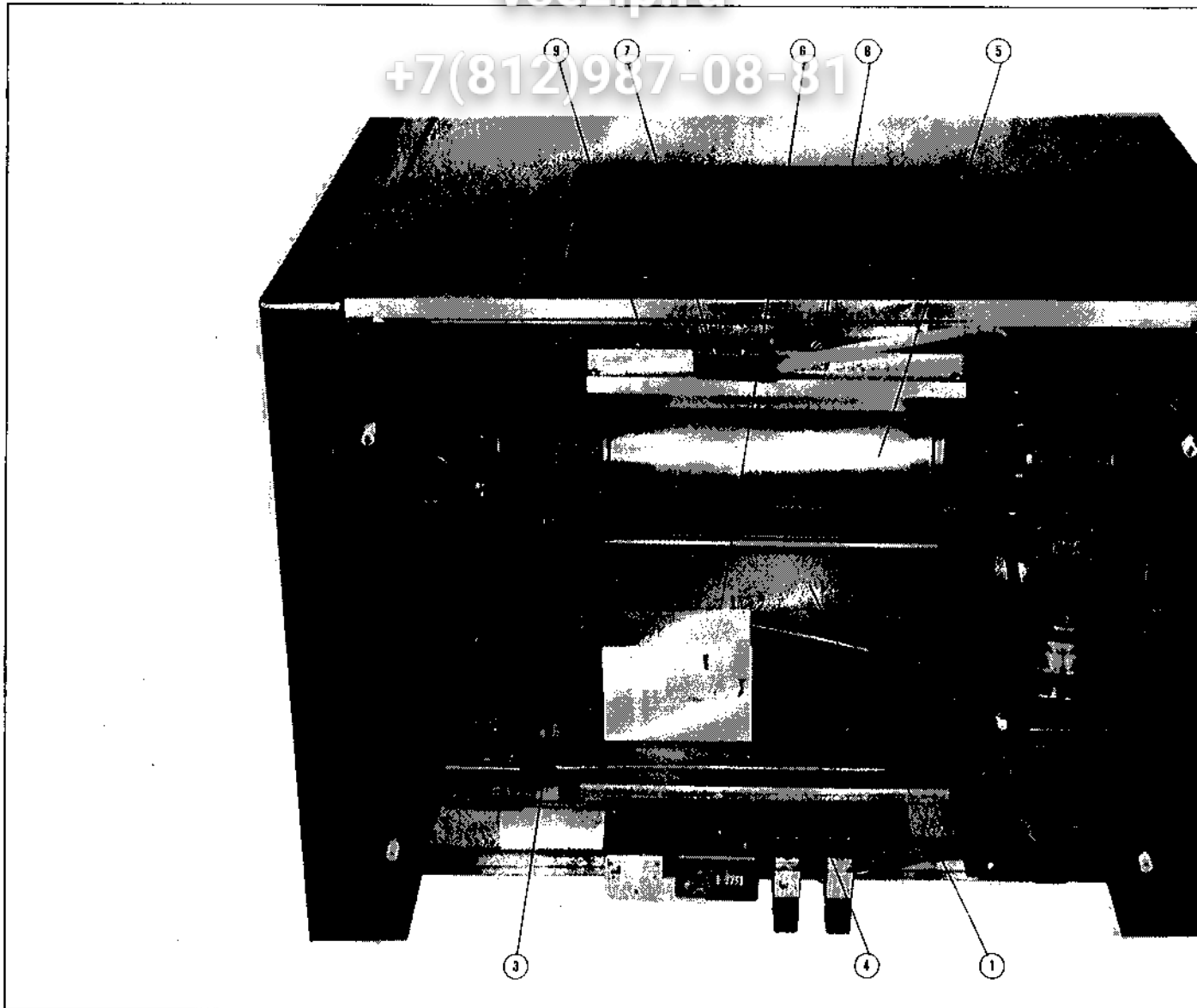
+7(812)987-08-81

ITEM NO	PART NO				DESCRIPTION	DESCRIZIONE	DÉSIGNATION
	MAR 5	MAR 10	MAR 20	MAR 30			
1	721449.03	721449.04	721449.02		LEFT SIDE PANEL UPPER	PANN. LAT. SIN. SUPERIORE	PANNEAU GAUCHE
2	721478.00	721478.001 470002.04 650428.03	721448.00		LEFT SIDE PANEL LOWER SCREW PLASTIC CLIP	PANN. LAT. SIN. INFERIORE VITE MOLLETTA IN PLASTICA	PANNEAU GAUCHE VIS CLIP EN PLASTIQUE
3	781371.00	781372.00	781366.00		BASE ASSY	ASSIEME BAS.	ENSEMBLE CHASSIS
4	721461.00	721462.00	721447.00 721460.00		UPPER REAR PANEL LOWER REAR PANEL	PANNELLO POSTERIORE SUP. PANNELLO POSTERIORE INF.	PANNEAU ARRIERE PANNEAU ARRIERE
5	721444.00	721444.01	721444.02		TOP PANEL	PANNELLO SUPERIORE	PANNEAU DESSUS
6	721445.00	721445.01	721445.02	721445.03	UPPER FRONT STRIPE	FRONTALINO	BANDEAU ENTRETO
7	721330.00				NAMEPLATE	TARGHETTA	PLAQUETTE
8	721479.01		721450.00		RIGHT PANEL	PANNELLO DESTRO	PANNEAU DROITE
9	721477.00	721477.01	721446.00 721460.00		UPPER FRONT PANEL LOWER FRONT PANEL	PANNELLO FRONTALE SUP. PANNELLO FRONTALE INF.	PANNEAU AVANT SUP. PANNEAU AVANT INF.
10	764011.00				LEG SOCKET	SUPPORTO PIEDINI	SUPPORT PIEDS
11	660478.00		660478.01		SPOUT OPENING FRAME	CARTER BOCCA USCITA GHIACCIO	CARTER GOULOTTE SC

Зип Общепит

vsezip.ru

+7(812)987-08-81



Зип Общепит

vsezip.ru

MAR 5-10-20-30 - TOP VIEW - VISTA SUPERIORE - VUE SUPERIEURE - OBERE

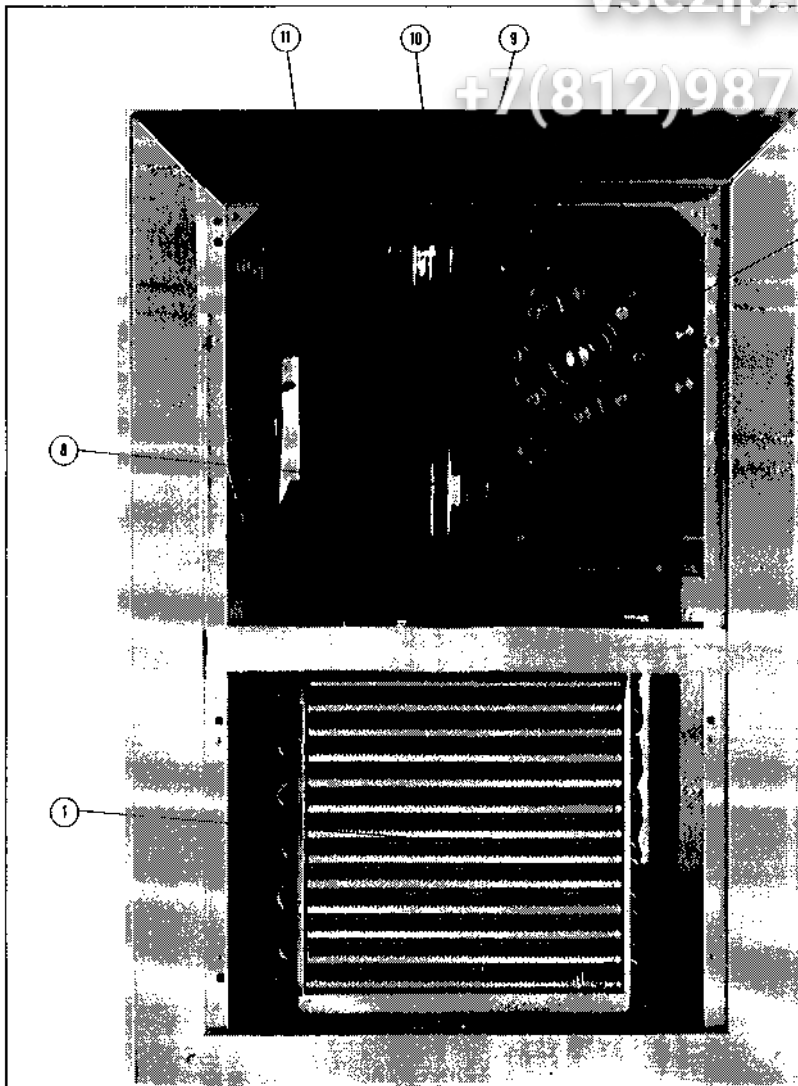
+7(812)987-08-81

ITEM NO	PART NO				DESCRIPTION	DESCRIZIONE	DÉSIGNATION
	MAR 5	MAR 10	MAR 20	MAR 30			
1	794261.00 794271.00		794264.00 794274.00		EVAPORATOR DRUM BASIN EVAPORATOR DRUM BASIN	ASSIEME VASCA EVAPORATORE ASSIEME VASCA EVAPORATORE	ENSEMBLE CUVE EVA ENSEMBLE CUVE EVA
2	742098.00 794272.00		742095.00 794272.01		BASIN SIDE - GEAR SIDE BASIN SIDE - GEAR SIDE	FIANCO VASCA - LATO RIDUTT. FIANCO VASCA - LATO RIDUTT.	PARTIE DROITE DE CU PARTIE DROITE DE CU
3	742097.00 794273.00		742094.00 794273.01		BASIN SIDE - REFR. SIDE BASIN SIDE - REFR. SIDE	FIANCO VASCA - LATO REFR. FIANCO VASCA - LATO REFR.	PARTIE GAUCHE DE C PARTIE GAUCHE DE C
4	724263.05 723120.05		724263.04 723120.04		BASIN BODY TIE-ROD SCREW WASHER	CORPO VASCA TIRANTE VITE RONDELLA	PARTIE CENTRALE DE ARBRE VIS RONDELLE
5	784353.00 784353.02		784353.01 784353.03		EVAP. DRUM ASSY EVAP. DRUM ASSY	ASSIEME TAMBURO EVAP. ASSIEME TELAIO EVAP.	ENSEMBLE TAMBOUR ENSEMBLE TAMBOUR
6	793126.13 660459.00 660363.00 783127.00		793126.14 783159.00 783160.00 783161.00		FLOAT RESERV. ASSY RESERVOIR COVER FLOAT BALL FLOAT VALVE BRACKET SCREW WASHER NOZZLE RING O RING	ASSIEME VASCHETTA GALLEGGIANTE VASCHETTA. COPERCHIO GALLEGGIANTE SUPPORTO GALLEGGIANTE VITE RONDELLA UGELLO ANELLO ANELLO OR	ENSEMBLE RESERV. A RESERVOIR COUVERCLE FLOTTEUR SUPPORT FLOTTEUR VIS RONDELLE GICLEUR ANNEAU JOINT TORIQUE
7		620366.00			SPOUT SWITCH	MICRO-BOCCHETTA	MICRO-GOULOTTE
8		650161.00			SPRING	MOLLETTA	RESSORT
9	724276.01 724278.00		724276.00 724278.01		PRESSURE PLATE SAFETY PLATE	PIASTRA DI PRESSIONE PIASTRA DI SICUREZZA	PLAQUETTE DE PRES PLAQUETTE DE SECU
					<ul style="list-style-type: none"> Up to MAR 5 S.N. 1178 MAR 10 S.N. 2092 MAR 20 S.N. 2078 MAR 30 S.N. 1030 	<ul style="list-style-type: none"> Fino al MAR 5 N.S. 1178 MAR 10 N.S. 2092 MAR 20 N.S. 2078 MAR 30 N.S. 1030 	<ul style="list-style-type: none"> Jusqu'à MAR 5 N.S. MAR 10 N.S. MAR 20 N.S. MAR 30 N.S.

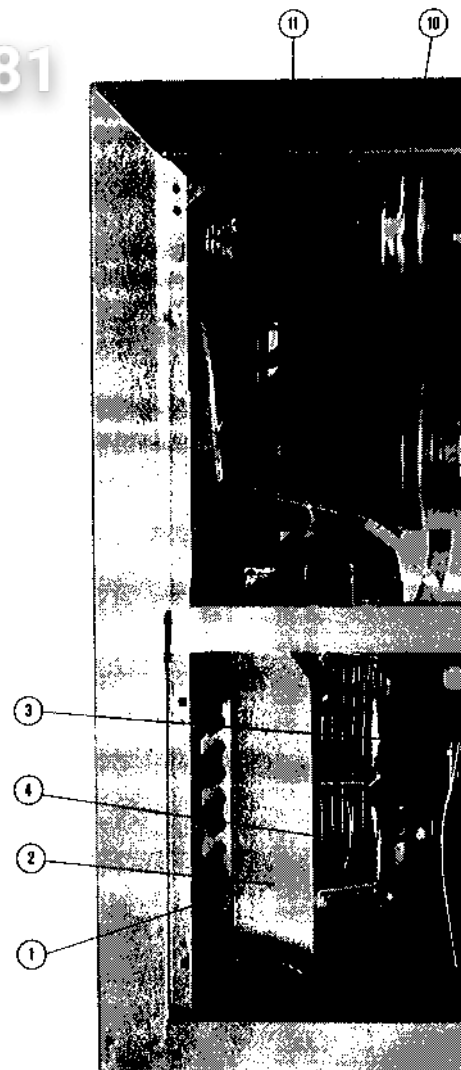
Зип Ощепит

vsezip.ru

+7(812)987-08-81



MAR 5



MAR 10-

Зип Общепит

vsezip.ru

+7(812)987-08-81

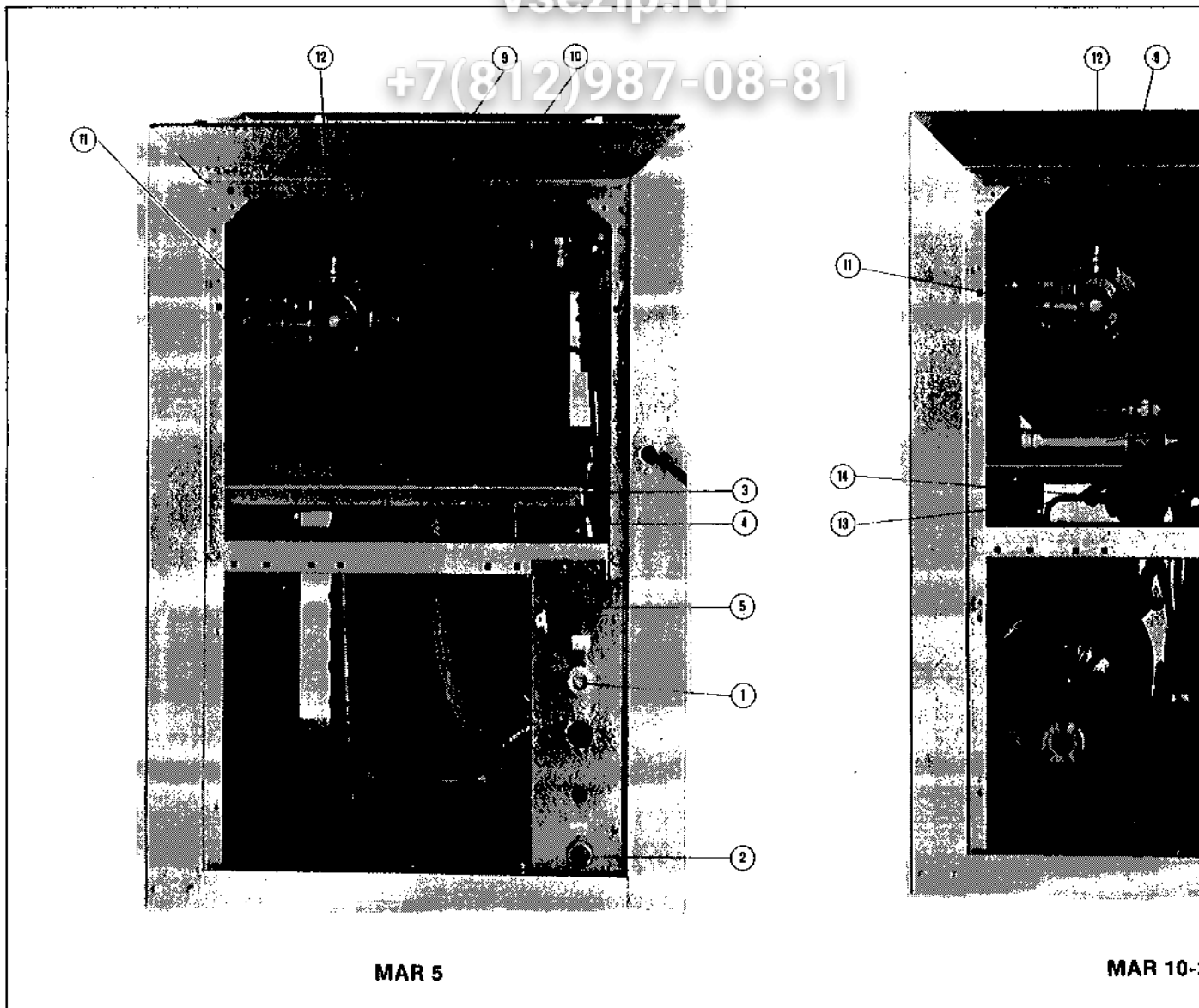
MAR 5-10-20-30 - DRIVE SIDE VIEW - VISTA LATO MOTORIDUTTORE - VUE COTÉ MOTOREDUCTEUR

ITEM NO	PART NO				DESCRIPTION	DESCRIZIONE	DÉSIGNATION
	MAR 5	MAR 10	MAR 20	MAR 30			
1	620349.00 620400.00	620365.00	620373.00	—	AIR COOLED COND.	COND. AD ARIA	CONDENSEUR A AIR
2	—	704249.01	724282.00	—	SHROUD	CONVOGLIATORE	CONVOYEUR
3	794219.02 620273.02 620274.01	794219.04 620273.00 620274.03	—	—	FAN MOTOR ASSY FAN MOTOR FAN BLADE	ASS. MOTOVENTILATORE MOTORE VENTILATORE VENTOLA	ENSEMBLE VENTILAT MOTEUR VENTILATEUR HELICE
4	620338.01 430004.00 420000.13 441001.05 400044.02 440015.05	620338.03	—	—	FAN GUARD NUT SCREW WASHER NUT WASHER	GRIGLIA PROTEZIONE DADO VITE RONDELLA DADO RONDELLA	GRILLE DE PROTECT ECROU VIS RONDELLE ECROU RONDELLE
5	670024.03 704135.03	704135.00	670024.04 704135.03	670024.05	DRIER BRACE COLLAR	FILTRO DEUMIDIFICATORE FASCETTA	DESHYDRATEUR COLLIER
6	—	620372.00	620372.01	—	SERVICE VALVE	VALVOLA DI SERVIZIO	VANNE
7	620377.00 620377.02 741092.02 420002.14 441001.05 430001.05	620377.01 620377.03 740192.03 420002.17 440015.07 430001.07	—	—	GEAR REDUCER GEAR REDUCER KEY SCREW WASHER NUT	RIDUTTORE RIDUTTORE CHIAVELLA VITE RONDELLA DADO	BOITE REDUCTEUR BOITE REDUCTEUR CLAVETTE VIS RONDELLE ECROU
8	734597.04 734597.12 734597.27	734597.09 734597.04 734597.25	—	—	REDUCER PULLEY - SECT. A REDUCER PULLEY - SECT. A REDUCER PULLEY - SECT. Z	PULEGGIA RIDUTTORE - SEZ. A PULEGGIA RIDUTTORE - SEZ. A PULEGGIA RIDUTTORE - SEZ. Z	POULIE REDUCTEUR POULIE REDUCTEUR POULIE REDUCTEUR
9	650422.02 650422.04 650422.14	650422.03	650422.04 650422.05 650422.15	650422.05	V BELT - SECT. A V BELT - SECT. A V BELT - SECT. Z	CINGHIA TRAPEZIOIDALE - SEZ. A CINGHIA TRAPEZIOIDALE - SEZ. A CINGHIA TRAPEZIOIDALE - SEZ. Z	COURROIE - SECT. A COURROIE - SECT. A COURROIE - SECT. Z
10	734597.02 734597.17 734597.28 420000.08	734597.03 734597.07 734597.31	734597.05 734597.06 734597.18 734597.29	734597.07 734597.03 734597.19 734597.07 734597.39 734597.31 420002.15	MOTOR PULLEY - SECT. A MOTOR PULLEY - SECT. A MOTOR PULLEY - SECT. A MOTOR PULLEY - SECT. A MOTOR PULLEY - SECT. Z MOTOR PULLEY - SECT. Z SCREW	PULEGGIA MOTORE - SEZ. A PULEGGIA MOTORE - SEZ. A PULEGGIA MOTORE - SEZ. A PULEGGIA MOTORE - SEZ. A PULEGGIA MOTORE - SEZ. Z PULEGGIA MOTORE - SEZ. Z VITE	POULIE MOTEUR - SE POULIE MOTEUR - SE POULIE MOTEUR - SE POULIE MOTEUR - SE POULIE MOTEUR - SE POULIE MOTEUR - SE VIS
11	—	620316.02 420000.11 440002.03 440015.05 441001.05	—	—	DRIVE MOTOR SCREW WASHER WASHER WASHER	MOTORE AZIONAMENTO VITE RONDELLA RONDELLA RONDELLA	MOTEUR D'ENTREINE VIS RONDELLE RONDELLE RONDELLE
					* AIR COOLED VERSION • WATER COOLED VERSION ■ Up to MAR 5 S.N. 1178 MAR 10 S.N. 2092 MAR 20 S.N. 2078 MAR 30 S.N. 1030	* VERSIONE RAFFR. AD ARIA • VERSIONE RAFFR. AD ACQUA ■ Fino al MAR 5 N.S. 1178 MAR 10 N.S. 2092 MAR 20 N.S. 2078 MAR 30 N.S. 1030	* REFRROIDISSEMENT • REFRROIDISSEMENT ■ Jusqu'à MAR 5 N.S. MAR 10 N.S. MAR 20 N.S. MAR 30 N.S.

Зип Ощепит

vsezip.ru

+7(812)987-08-81



MAR 5

MAR 10-15

Зип Ощепит

vsezip.ru

MAR 5-10-20-30 - LEFT SIDE VIEW - VISTA LAT. SINISTRA - VUE COTÉ GAUCHE - LI

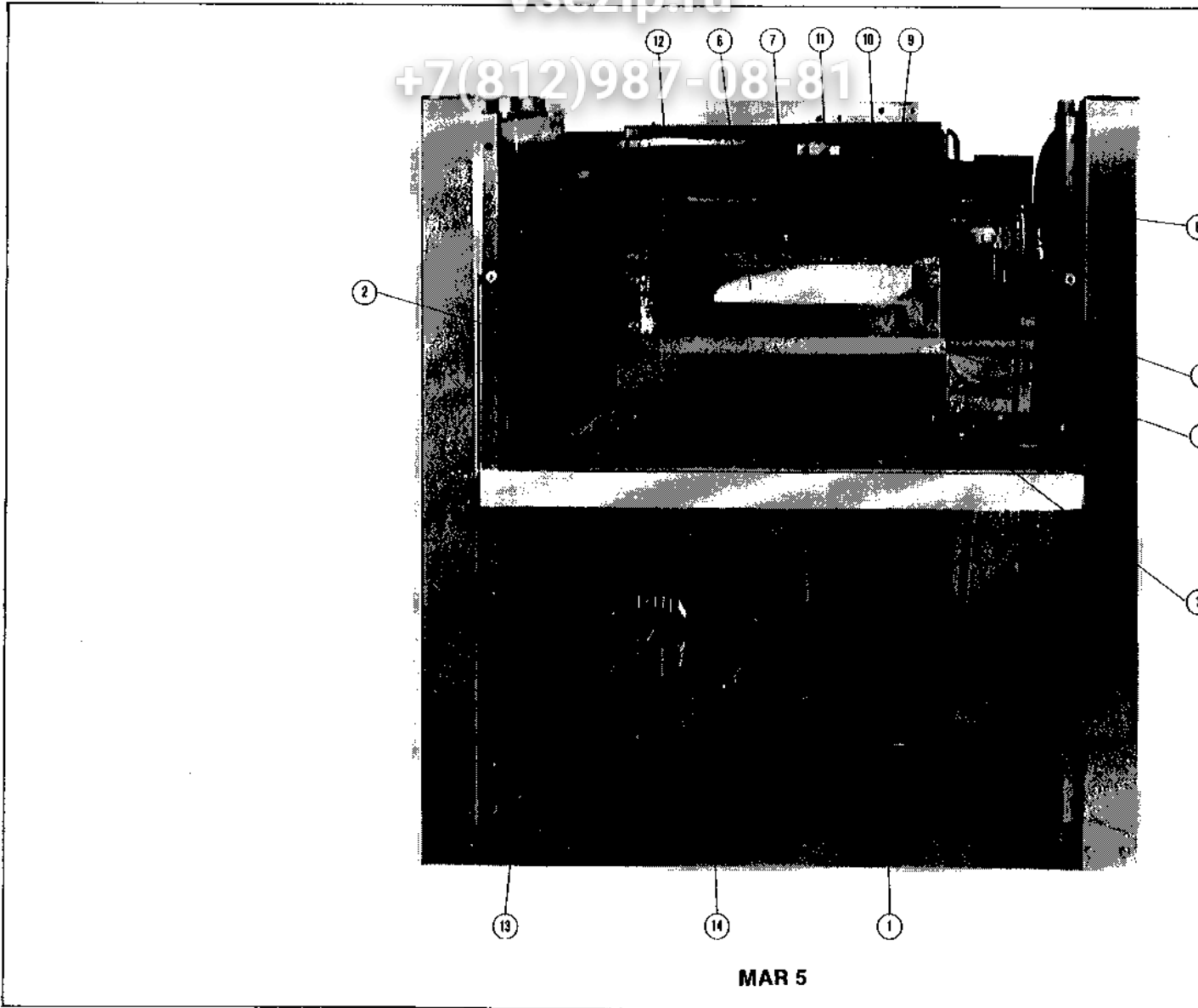
+7(812)987-08-81

ITEM NO	PART NO				DESCRIPTION	DESCRIZIONE	DÉSIGNATION
	MAR 5	MAR 10	MAR 20	MAR 30			
1		733205.00 400031.00 400030.00 650104.00			WATER INLET FITTING GASKET NUT STRAINER	RACC. ENTRATA ACQUA GUARNIZIONE DADO FILTRO	RACCORD ARRIVÉE JOINT DE SERRAGE ECROU FILTRE
2		660224.00 400071.00 400070.00			WATER OUTLET FITTING GASKET NUT	RACC. SCARICO ACQUA GUARNIZIONE DADO	RACCORDO EVAC. D'EAU JOINT ECROU
3	781365.00 [■] 781365.04	781365.01 [■] 781365.05		781365.03 781365.06	WATER TRAY WATER TRAY	BACINELLA BACINELLA	GOUPELLE D'EAU GOUPELLE D'EAU
4		660219.01 660211.01 640134.00			WATER DRAIN FITTING MALE FITTING O RING	RACC. SCARICO BACINELLA RACC. MASCHIO ANELLO OR	RACC. EVAC. D'EAU RACC. MALE JOINT TORIQUE
5		610148.12			DRAIN TUBE	TUBO SCARICO	TUYAU D'EVACUATION
6	—	620317.00	620317.01	620317.02	HEAT EXCHANGER	SCAMBIATORE DI CALORE	EXCHANGEUR DE CHA
7	—		620324.03		LIQUID SIGHT GLASS	SPIA LIQUIDO	HUBLLOT
8	— 620326.11 001010.01	620326.05 [■] 620326.05	620326.07 [■] 620326.09	620326.06 [■] 620326.08 001010.02	EXPANSION VALVE EXPANSION VALVE EXPANSION VALVE NOZZLE	VALVOLA D'ESPANSIONE VALVOLA D'ESPANSIONE UGELLO VALV. ESPANSIONE	DETENDEUR DETENDEUR GICLEUR VANNE EXP
9		743127.01 440015.05 430001.02			REFRIGERANT MANIFOLD WASHER NUT	COLLETTORE REFRIGERANTE RONDELLA DADO	COLLECTEUR REFRIG RONDELLE ECROU
10		733208.00 400085.00			REF. LINE FITTING FLARE NUT	RACC. ACCOPP. TUBO REFRIG. DADO SVASATO	ACCOUPL. TUYAU REFRIG. ECROU
11		650521.00 640076.09			MANIFOLD FITTING GASKET	RACCORDO COLLETTORE GUARNIZIONE	RACCORD COLLECTEUR JOINT
12		650109.00 650109.00 650539.00			VALVE BODY CAP REFRIG. FITTING	CORPO VALVOLA CAPPELLOTTO RACCORDO REFRIGERANTE	CORP DE VANNE CLAPET RACCORD REFRIGERA
13	—	650313.04 [■]		650313.01	VIBRATION ABSORBER - DISC.	TUBO ANTIVIBRANTE - MAND.	AMMORTISSEUR VIBRA
14	—	650313.01 [■]	650313.02	650313.05	VIBRATION ABSORBER - SUCT.	TUBO ANTIVIBRANTE - ASP.	AMMORTISSEUR VIBRA
					■ Up to MAR 5 S.N. 1178 MAR 10 S.N. 2092 MAR 20 S.N. 2078 MAR 30 S.N. 1030	■ Fino al MAR 5 N.S. 1178 MAR 10 N.S. 2092 MAR 20 N.S. 2078 MAR 30 N.S. 1030	■ Jusqu'à MAR 5 N.S. MAR 10 N.S. MAR 20 N.S. MAR 30 N.S.

Зип Ощепит

vsezip.ru

+7(812)987-08-81



Зип Общепит

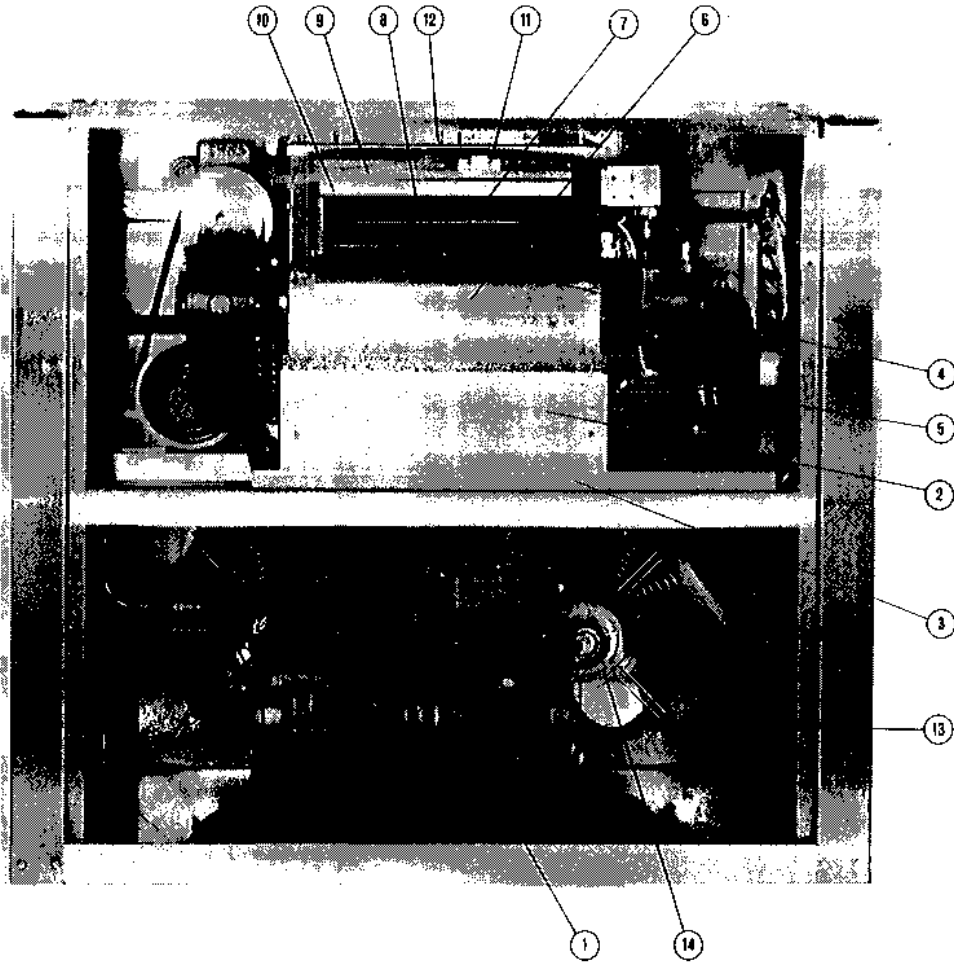
MAR 5-10-20-30 - REAR SIDE VIEW / VISTA LATO POST. - VUE COTÉ ARRIERE - RU

ITEM NO	PART NO				DESCRIPTION	DESCRIZIONE	DÉSIGNATION
	MAR 5	MAR 10	MAR 20	MAR 30			
1	670088.01 670088.03 620305.00	670090.01 670096.02 001026.00 630112.01 440015.04 430001.06	670091.01 — 001026.00 630112.01	670091.02 — 001026.01 630112.01	COMPRESSOR COMPRESSOR VALVE PLATE CPL CRANKCASE HEATER WASHER NUT	COMPRESSORE COMPRESSORE PIASTRA VALVOLE CPL RESIST. COPPA RONDELLA DADO	COMPRESSEUR COMPRESSEUR PLAQUES A CLAPETS RECHAUFFEUR CARTON RONDELLE ECROU
2	723134.03		723134.02		FRONT COVER PLATE	CARTER FRONTALE	CARTER DE COUVER
3	781365.00 781365.04	781365.01 781365.05	781365.03 781365.06		WATER TRAY WATER TRAY	BACINELLA BACINELLA	GOUELLE D'EAU GOUELLE D'EAU
4	723123.05	420002.15	723123.04		SCRAPING BLADE BLADE MOUNTING SCREW	ASS. LAMA VITE DI FISSAGGIO	ENSEMBLE COUTEAU VIS DE FIXATION
5	721341.02	420034.00 430001.02 441001.05	721341.03		PLATE BLADE SETTING STUD NUT WASHER	PIASTRINA PRIGIONIERI REGOL. LAMA DADO RONDELLA	PLAQUETTE VIS DE REGLAGE COU ECROU RONDELLE
6	741101.03		741101.04		CHUTE	SCIVOLO	GLISSIERE
7		660091.00 650595.00			BUTTON FOR CHUTE BUTTON FOR CHUTE	BOTTONE PER SCIVOLO BOTTONE PER SCIVOLO	BOUTTON FIX. GLISSI BOUTTON FIX. GLISSI
8	724278.00		724278.01		DEFLECTOR	DEFLETTORE	DEFLECTEUR
9	724292.00		724275.00		SPOUT SWITCH BRACKET	SUPPORTO MICROINTERRUTTORE	SUPPORT MICROINTERRUTTORE
10	724276.01	724277.01 650161.00	724276.00		SPOUT SWITCH PRESS. PLATE PRESS. PLATE ROD SPRING	PIASTRINA PRESS. MICRO ASTINA PIASTRINA PRESSIONE MOLLA	PLAQUETTE DE PRESS TIGE DE PLAQUETTE RESSORT
11		620366.00 420008.04 430001.04 441001.06			MICRO-SWITCH SCREW NUT WASHER	MICROINTERRUTTORE VITE DADO RONDELLA	MICROINTERRUPTEUR VIS ECROU RONDELLE
12	724291.00 724291.01		724279.00 724279.01		EVAP. COVER EVAP. COVER	COPERCHIO EVAPORATORE COPERCHIO EVAPORATORE	COUVERCLE EVAPOR COUVERCLE EVAPOR
13	620349.00 620400.00	620365.00 420000.12 723037.00 400044.02	620373.00 — — —	— — — —	AIR COOLED COND. AIR COOLED COND. SCREW WASHER NUT	CONDENSATORE AD ARIA CONDENSATORE AD ARIA VITE RONDELLA DADO	CONDENSEUR A AIR CONDENSEUR A AIR VIS RONDELLE ECROU
14	794219.02 620273.02 620274.01 620338.01 430004.00 420000.12 441001.05 400044.02	794219.04 620273.00 620274.03 620338.03 — — — —	— — — — — — — —	— — — — — — — —	FAN MOTOR ASSY MOTOR FAN BLADE FAN GUARD NUT SCREW WASHER NUT	ASS. VENTILATORE MOTORE VENTOLA GRIGLIA DI PROTEZIONE DADO VITE RONDELLA DADO	ENS. VENTILATEUR MOTEUR HELICE GRILLE DE PROTECTI ECROU VIS RONDELLE ECROU
*	— — —		794221.03 620300.00 620000.01		AUX. FAN MOTOR ASSY FAN MOTOR FAN BLADE	ASS. MOTOVENTILATORE AUS. MOTORE VENTILATORE VENTOLA	ENS. MOTOVENTILATE MOTEUR HELICE
					■ Up to MAR 5 S.N. 1178 MAR 10 S.N. 2092 MAR 20 S.N. 2078 MAR 30 S.N. 1030	● Fino al MAR 5 N.S. 1178 MAR 10 N.S. 2092 MAR 20 N.S. 2078 MAR 30 N.S. 1030	■ Jusqu'à MAR 5 N.S. MAR 10 N.S. MAR 20 N.S. MAR 30 N.S.

Зип Ощепит

vsezip.ru

+7(812)987-08-81



MAR 10-20-30

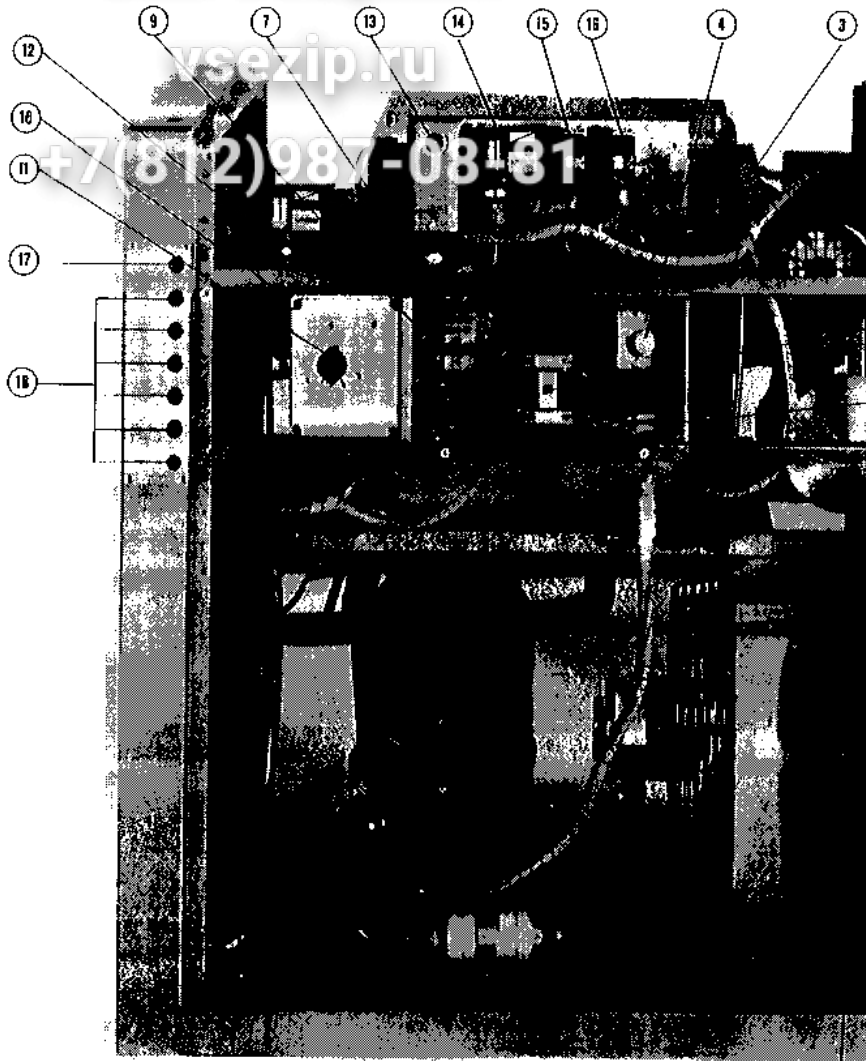
Зип Общепит

MAR 5-10-20-30 - REAR SIDE VIEW - VISTA LATO POST. - VUE COTÉ ARRIERE - RU

vsezip.ru

+7(812)987-08-81

ITEM NO	PART NO				DESCRIPTION	DESCRIZIONE	DÉSIGNAT
	MAR 5	MAR 10	MAR 20	MAR 30			
1	670088.01 670088.03 — 620305.00	670090.01 670096.02 001026.00 630112.01 440015.04 430001.06	670091.01 — 001026.00 630112.01	670091.02 — 001026.01 630112.01	COMPRESSOR COMPRESSOR VALVE PLATE CPL CRANKCASE HEATER WASHER NUT	COMPRESSORE COMPRESSORE PIASTRA VALVOLE CPL RESIST. COPPA RONDELLA DADO	COMPRESSEUR COMPRESSEUR PLAQUES A CLAPET RECHAUFFEUR CAR RONDELLE ECROU
2	723134.03		723134.02		FRONT COVER PLATE	CARTER FRONTALE	CARTER DE COUVER
3	781365.00 781365.04	781365.01 781365.05	781365.03 781365.06		WATER TRAY WATER TRAY	BACINELLA BACINELLA	GOUPELLE D'EAU GOUPELLE D'EAU
4	723123.05 420002.15		723123.04		SCRAPING BLADE BLADE MOUNTING SCREW	ASS. LAMA VITE DI FISSAGGIO	ENSEMBLE COUPEA VIS DE FIXATION
5	721341.02 420034.00 430001.02 441001.05		721341.03		PLATE BLADE SETTING STUD NUT WASHER	PIASTRINA PRIGIONIERI REGOL. LAMA DADO RONDELLA	PLAQUETTE VIS DE REGLAGE CO ECROU RONDELLE
6	741101.03		741101.04		CHUTE	SCIVOLO	GLISSIERE
7	660091.00 650595.00				BUTTON FOR CHUTE BUTTON FOR CHUTE	BOTTONE PER SCIVOLO BOTTONE PER SCIVOLO	BOUTTON FIX. GLISS BOUTTON FIX. GLISS
8	724278.00		724278.01		DEFLECTOR	DEFLETTORE	DEFLECTEUR
9	724292.00		724275.00		SPOUT SWITCH BRACKET	SUPPORTO MICROINTERRUTTORE	SUPPORT MICRO G
10	724276.01 724277.01 650161.00		724276.00		SPOUT SWITCH PRESS. PLATE PRESS. PLATE ROD SPRING	PIASTRINA PRESS. MICRO ASTINA PIASTRINA PRESSIONE MOLLA	PLAQUETTE DE PRE TIGE DE PLAQUETTE RESSORT
11	620366.00 420008.04 430001.04 441001.06				MICRO-SWITCH SCREW NUT WASHER	MICROINTERRUTTORE VITE DADO RONDELLA	MICROINTERRUPTO VIS ECROU RONDELLE
12	724291.00 724291.01		724279.00 724279.01		EVAP. COVER EVAP. COVER	COPERCHIO EVAPORATORE COPERCHIO EVAPORATORE	COUVERCLE EVAPOR COUVERCLE EVAPOR
13	620349.00 620400.00	620365.00 420000.12 723037.00 400044.02	620373.00 — — — —		AIR COOLED COND. AIR COOLED COND. SCREW WASHER NUT	CONDENSATORE AD ARIA CONDENSATORE AD ARIA VITE RONDELLA DADO	CONDENSEUR A AIR CONDENSEUR A AIR VIS RONDELLE ECROU
14	794219.02 620273.02 620274.01 620338.01 430004.00 420000.12 441001.05 400044.02	794219.04 620273.00 620274.03 620338.03	— — — — — — — —		FAN MOTOR ASSY MOTOR FAN BLADE FAN GUARD NUT SCREW WASHER NUT	ASS. VENTILATORE MOTORE VENTOLA GRIGLIA DI PROTEZIONE DADO VITE RONDELLA DADO	ENS. VENTILATEUR MOTEUR HELICE GRILLE DE PROTECT ECROU VIS RONDELLE ECROU
*	— —		794221.03 620300.00 620000.01		AUX. FAN MOTOR ASSY FAN MOTOR FAN BLADE	ASS. MOTOVENTILATORE AUS. MOTORE VENTILATORE VENTOLA	ENS. MOTOVENTILA MOTEUR HELICE
					■ Up to MAR 5 S.N. 1178 MAR 10 S.N. 2092 MAR 20 S.N. 2078 MAR 30 S.N. 1030	■ Fino al MAR 5 N.S. 1178 MAR 10 N.S. 2092 MAR 20 N.S. 2078 MAR 30 N.S. 1030	■ Jusqu'à MAR 5 N.S. MAR 10 N.S. MAR 20 N.S. MAR 30 N.S.



+7(812)987-08481

MAR 5



Зип Ощепит

vsezip.ru

MAR 5-10-20-30 - FRONT VIEW - VISTA FRONTALE - VUE FRONTALE - VORDE

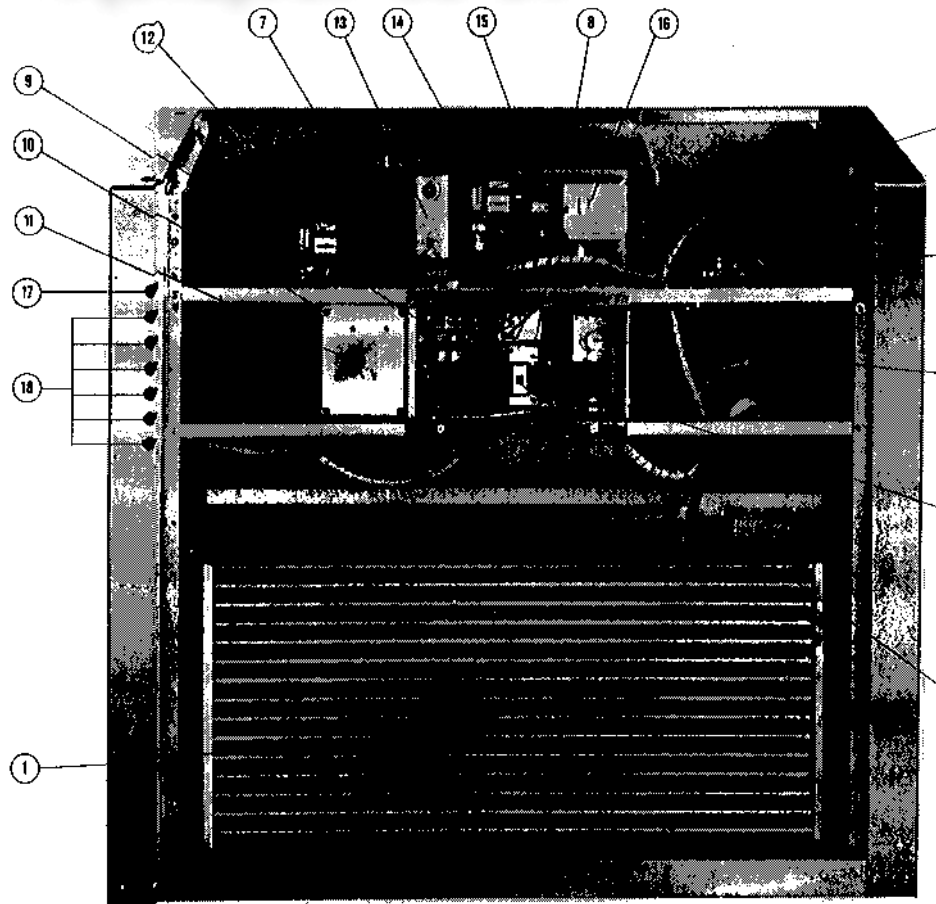
+7(812)987-08-81

ITEM NO	PART NO				DESCRIPTION	DESCRIZIONE	DÉSIGNATION
	MAR 5	MAR 10	MAR 20	MAR 30			
1	620349.00 620400.00	620365.00 704249.10 420000.12 400044.02	620373.00 724282.00	---	AIR COOLED CONDENSER AIR COOLED CONDENSER SHROUD SCREW NUT	CONDENSATORE AD ARIA CONDENSATORE AD ARIA CONVOGLIATORE VITE DADO	CONDENSEUR A AIR CONDENSEUR A AIR CONVOYEUR VIS ECROU
2	620316.02				DRIVE MOTOR	MOTORE AZIONAMENTO	MOTEUR D'ENTREIN
3	784350.00	420002.15 721341.01 420000.08 723037.00 440015.00	784350.01	---	MOTOR BRACKET SLEIGHT SCREW PLATE SCREW WASHER LOCK WASHER	SLITTA PORTA MOTORE VITE PIASTRINA VITE ROSETTA ROSETTA ELASTICA	COLISSEU PORTE MO VIS PLAQUETTE VIS RONDELLE RONDELLE
4	620371.00				TIME DELAY	RITARDATORE	TEMPORISATEUR
5	620033.01				SWITCH	INTERRUTTORE	INTERRUPTEUR
6	630124.05	630124.12			CONTACTOR	TELERUTTORE	CONTACTEUR
7	620114.03				TERMINAL BLOCK	MORSETTIERA	BORNIER
8	---	620333.01*	620333.01	620333.00	COMP. PROT. DEVICE - DORIN	PROTETT. COMPR. - DORIN	PROTECT COMPR. - D
9	725012.00				ELEC. BOX COVER	COPERCHIO SCAT. ELETTRICA	COUVERCLE BOITE E
10	620328.01 745004.03				TIMER TIMER BOX	TIMER SCAT. TIMER	PENDULE BOITE PENDULE
11	620334.00				TIMER KNOB	VOLANTINO TIMER	BOUTON DE PENDUL
12	620241.00				WATER PRESS. SWITCH	PRESSOSTATO ACQUA	PRESSOSTAT D'EAU
13	620323.00				BIN THERMOSTAT	TERMOSTATO CELLA	THERMOSTAT CABINE
14	620241.00				LO-PRESSURE SWITCH	PRESSOSTAT BASSA	PRESSOSTAT B.P.
15	620231.01				HI-PRESSURE SWITCH	PRESSOSTATO ALTA	PRESSOSTAT H.P.
16	620075.00* 620322.01	620322.01			FAN CONTROL	CONTROLLO VENTILATORE	PRESS. CONT. VENTIL
17	630091.12				GREEN WARNING LIGHT	LAMP. SPIA VERDE	VOYANT LUMINEU VE
18	630091.11				RED WARNING LIGHT	LAMP. SPIA ROSSA	VOYANT LUMINEU RO
					* Up to MAR 5 S.N. 1178 MAR 10 S.N. 2092 MAR 20 S.N. 2078 MAR 30 S.N. 1030	* Fino al MAR 5 N.S. 1178 MAR 10 N.S. 2092 MAR 20 N.S. 2078 MAR 30 N.S. 1030	* Jusqu'à MAR 5 N.S. MAR 10 N.S. MAR 20 N.S. MAR 30 N.S.

Зип Ощепит

vsezip.ru

+7(812)987-08-81



MAR 10-20-30



Зип Общепит

vsezip.ru

MAR 5-10-20-30 - FRONT VIEW - VISTA FRONTALE - VUE FRONTALE - VORDE

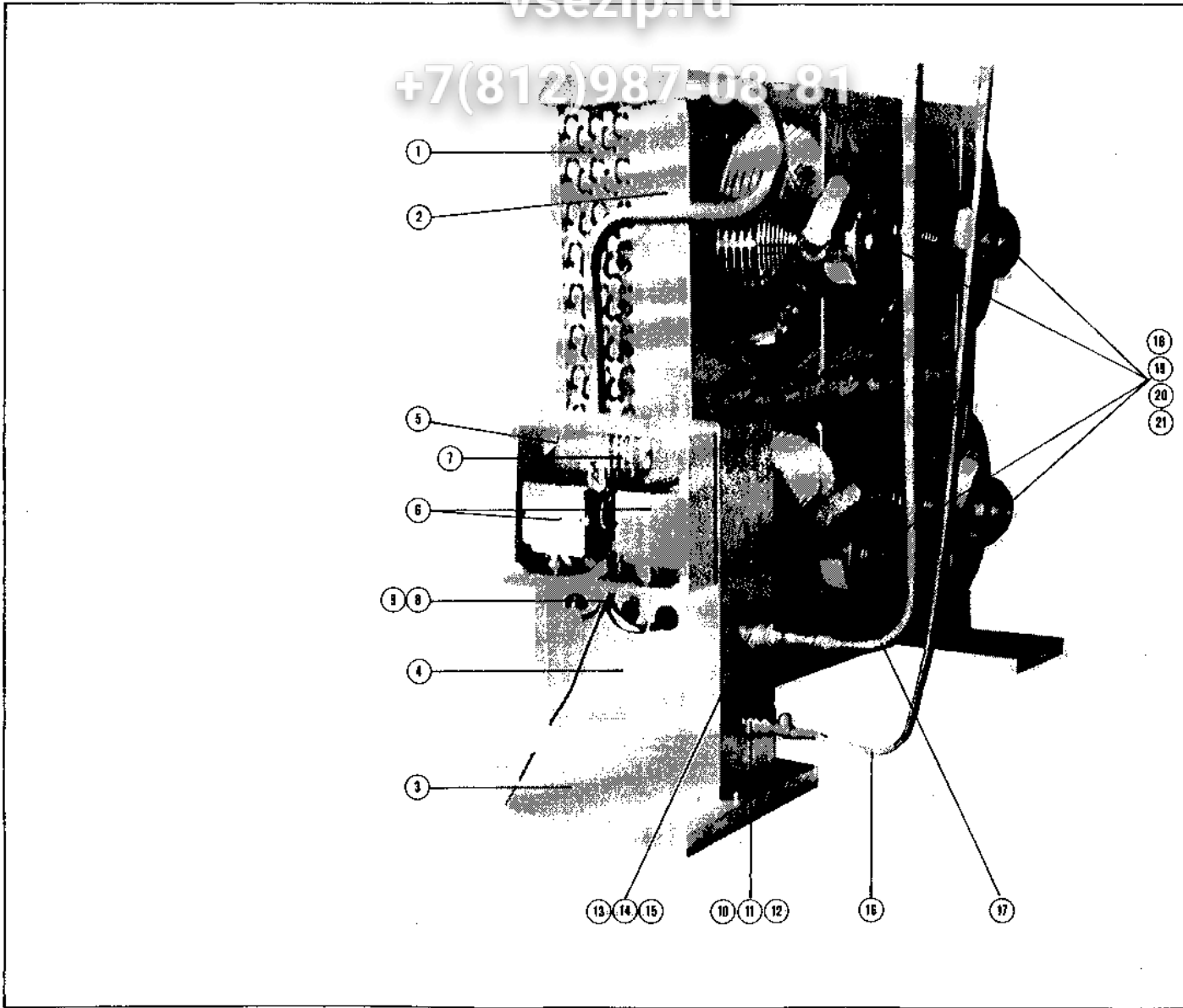
+7(812)987-08-81

ITEM NO	PART NO				DESCRIPTION	DESCRIZIONE	DÉSIGNATION
	MAR 5	MAR 10	MAR 20	MAR 30			
1	620349.00 620400.00	620365.00 — 704249.10 420000.12 400044.02	620373.00 — 724282.00	— — — —	AIR COOLED CONDENSER AIR COOLED CONDENSER SHROUD SCREW NUT	CONDENSATORE AD ARIA CONDENSATORE AD ARIA CONVOGLIATORE VITE DADO	CONDENSEUR A AIR CONDENSEUR A AIR CONVOYEUR VIS ECROU
2	620316.02				DRIVE MOTOR	MOTORE AZIONAMENTO	MOTEUR D'ENTREIN
3	784350.00	420002.15 721341.01 420000.08 723037.00 440015.00	784350.01		MOTOR BRACKET SLEIGHT SCREW PLATE SCREW WASHER LOCK WASHER	SLITTA PORTA MOTORE VITE PIASTRINA VITE ROSETTA ROSETTA ELASTICA	COLISSEU PORTE MO VIS PLAQUETTE VIS RONDELLE RONDELLE
4	620371.00				TIME DELAY	RITARATORE	TEMPORISATEUR
5	620033.01				SWITCH	INTERRUTTORE	INTERRUPTEUR
6	630124.05	630124.12			CONTACTOR	TELERUTTORE	CONTACTEUR
7	620114.03				TERMINAL BLOCK	MORSETTIERA	BORNIER
8	—	620333.01	620333.01	620333.00	COMP. PROT. DEVICE - DORIN	PROTETT. COMPR. - DORIN	PROTECT COMPR. - D
9	725012.00				ELEC. BOX COVER	COPERCHIO SCAT. ELETTRICA	COUVERCLE BOITE E
10	620328.01 745004.03				TIMER TIMER BOX	TIMER SCAT. TIMER	PENDULE BOITE PENDULE
11	620334.00				TIMER KNOB	VOLANTINO TIMER	BOUTON DE PENDUL
12	620241.00				WATER PRESS. SWITCH	PRESSOSTATO ACQUA	PRESSOSTAT D'EAU
13	620323.00				BIN THERMOSTAT	TERMOSTATO CELLA	THERMOSTAT CABIN
14	620241.00				LO-PRESSURE SWITCH	PRESSOSTAT BASSA	PRESSOSTAT B.P.
15	620231.01				HI-PRESSURE SWITCH	PRESSOSTATO ALTA	PRESSOSTAT H.P.
16	620075.00 620322.01	620322.01			FAN CONTROL	CONTROLLO VENTILATORE	PRESS. CONT. VENTIL
17	630091.12				GREEN WARNING LIGHT	LAMP. SPIA VERDE	VOYANT LUMINEU VE
18	630091.11				RED WARNING LIGHT	LAMP. SPIA ROSSA	VOYANT LUMINEU RO
					■ Up to MAR 5 S.N. 1178 MAR 10 S.N. 2092 MAR 20 S.N. 2078 MAR 30 S.N. 1030	■ Fino al MAR 5 N.S. 1178 MAR 10 N.S. 2092 MAR 20 N.S. 2078 MAR 30 N.S. 1030	■ Jusqu'à MAR 5 N.S. MAR 10 N.S. MAR 20 N.S. MAR 30 N.S.

Зип Общепит

vsezip.ru

+7(812)987-08-81



Зип Общепит

vsezip.ru

+7(812)987-08-81

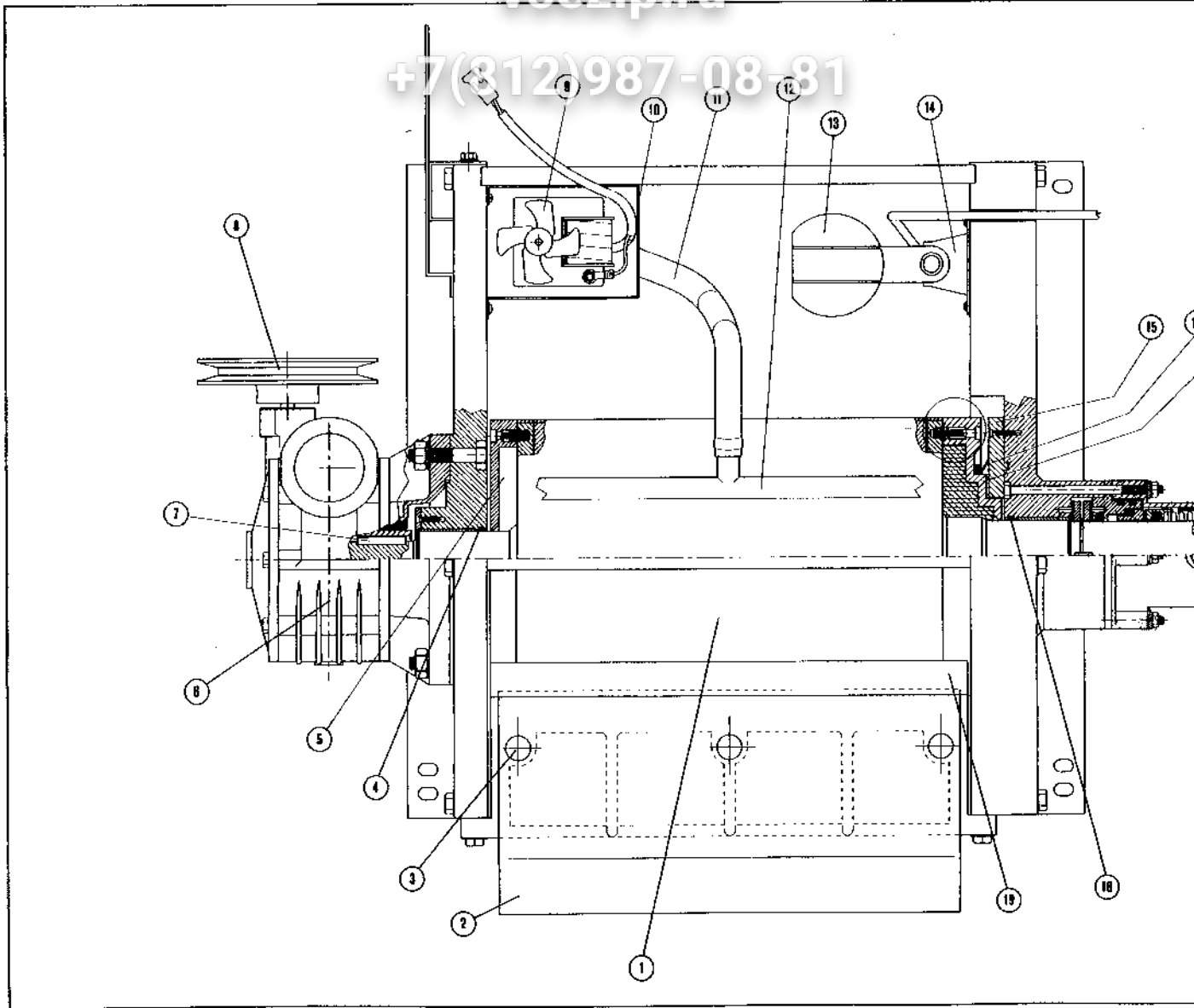
MAR 30 - AIR COOLED-REMOTE CONDENSER - RAFFR. AD ARIA-CONDENS. REMOTO - REFROIDI PAR AIR-CONDENSEUR A DISTANCE

ITEM NO.	PART NO	DESCRIPTION	DESCRIZIONE	DÉSIGNATION
1	620381.00	CONDENSER	CONDENSATORE	CONDENSEUR
2	724283.00	SHROUD	CONVOGLIATORE	CONVOYEUR
3	724284.00	SUPPORT PLATE	PIASTRA DI SUPPORTO	PLAQUE DE SUPPORT
4	724285.00	REFRIG. COUPLING PLATE	PIASTRA ATTACCHI REFRIG.	PLAQUE ACCOUP. TUY. REFRIGERA
5	745005.01	ELECTRIC BOX	SCATOLA ELETTRICA	BOITIER ELECTRIQUE
6	620322.01	PRESS. CONTROL (FAN CONTROL)	PRESSOSTATO (CONTR. VENTILATORE)	PRESSOSTAT (CONTROLE VENTILA
7	630114.01	TERMINAL BLOCK	MORSETTIERA	BORNIER
8	650066.02	BELLOW CABLE TIE	PRESSACAVO	AGRAFE DE FIL
9	630090.00	CABEL TIE	PRESSACAVO	AGRAFE DE FIL
10	650438.00	QUICK CONNECT. COUPLING-MALE	GIUNTO RAPIDO MASCHIO	ACCOUPEMENT RAPIDE-MALE
11	650437.00	QUICK CONNECT. COUPLING-FEMALE	GIUNTO RAPIDO FEMMINA	ACCOUPEMENT RAPIDE-FEMELLE
12	640039.00 650441.00	GASKET FLANGE	GUARNIZIONE FLANGIA	JOINT FLASQUE
13	650438.04	QUICK CONNECT-COUPLING-MALE	GIUNTO RAPIDO MASCHIO	ACCOUPL. RAPIDE MALE
14	650437.04	QUICK CONNECT. COUPLING-FEMALE	GIUNTO RAPIDO FEMMINA	ACCOUPEMENT RAPIDE-FEMELLE
15	640039.01 650441.01	GASKET FLANGE	GUARNIZIONE FLANGIA	JOINT FLASQUE
16	784331.06	REFRIGERANT. LINE ASSY	ASS. TUBAZ. REFRIGERANTE	TUYAUTERIE REFRIGERANT
17	784331.07	REFRIGERANT. LINE ASSY	ASS. TUBAZ. REFRIGERANTE	TUYAUTERIE REFRIGERANT
18	420000.13 440015.05 441001.05 400044.00	SCREW FOR FAN MOTOR WASHER WASHER NUT	VITI FISS. MOTOVENTILATORE RONDELLA RONDELLA DADO	VIS FIXAT. MOTOVENTILATEUR RONDELLE RONDELLE ECROU
19	794219.02 620273.02	FAN MOTOR ASSY FAN MOTOR	ASS. MOTOVENTILATORE MOTORE VENTILATORE	ENS. MOTOVENTILATEUR MOTEUR VENTILATEUR
20	620274.01	FAN BLADE	VENTOLA	HELICE
21	620338.01	FAN GUARD	GRIGLIA	GRILLE DE PROTECTION

Зип Общепит

vsezip.ru

+7(812)987-08-81



Зип Общепит

vsezip.ru

MAR 5-10-20-30 - EVAPORATOR N GEAR REDUCER ASSY - ASSIEME EVAPORATORE/RIDUTTORE - ENS. EVAPORATEUR ET REDUCTEUR

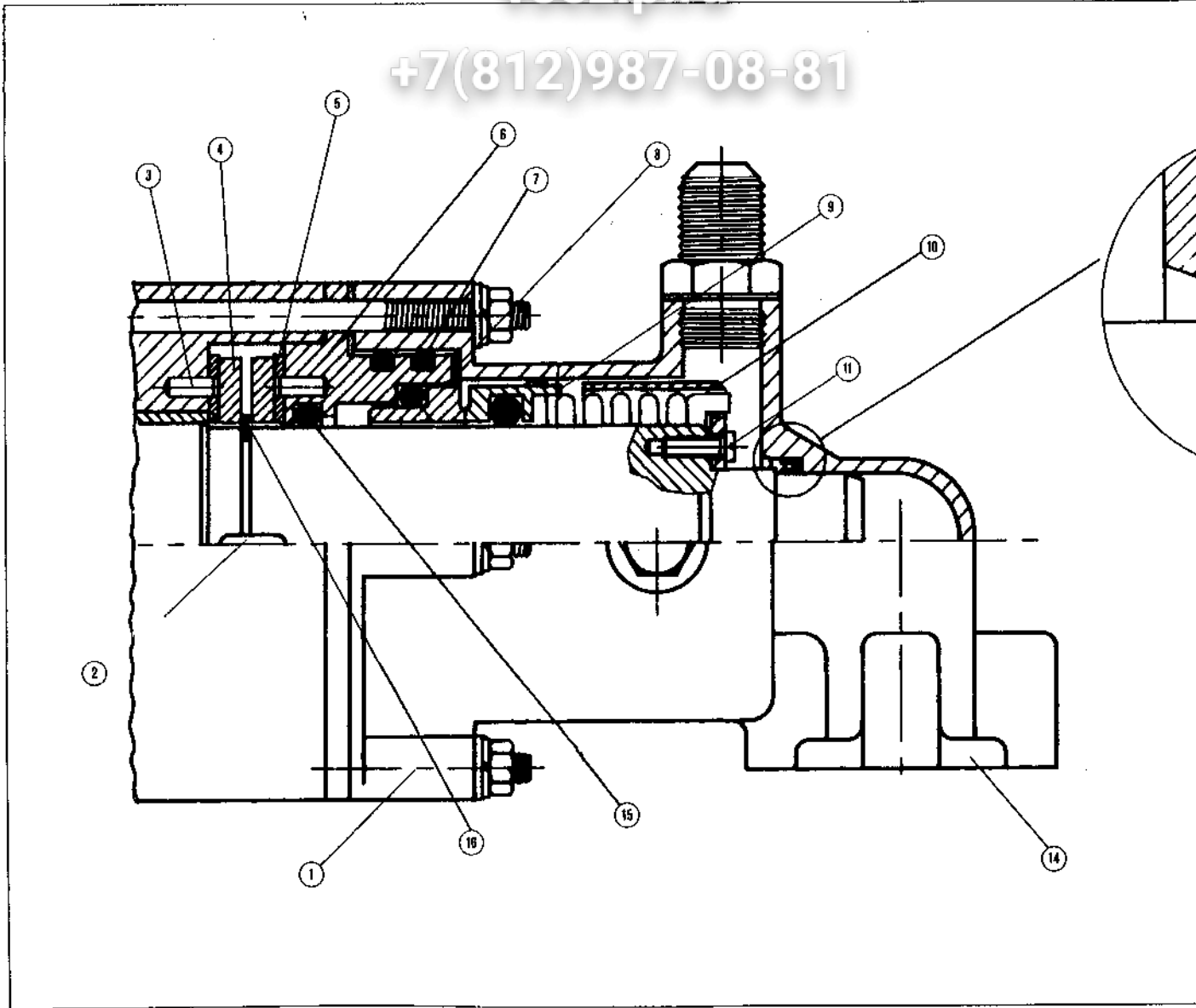
+7(812)987-08-81

ITEM NO	PART NO				DESCRIPTION	DESCRIZIONE	DESIGNATION
	MAR 5	MAR 10	MAR 20	MAR 30			
1	794271.00		794274.00		EVAP. N GEAR REDUCER ASSY	ASS. EVAP. E RIDUTTORE	ENS. EVAP. ET REDUC
2	741101.03		741101.04		PLEXIGLASS CHUTE	SCIVOLO IN PLASTICA	GLISSIERE
3		650595.00			PLASTIC BUTTON	BOTTONE IN PLASTICA	BOUTON FIX GLISSIERE
4		640041.18			O RING	GUARNIZIONE OR	JOINT TORIQUE
5	742111.00		742111.01		SPACER RIGHT	DISTANZIERE DX	ENTRETOISE
6	620377.02		620377.03		GEAR REDUCER	RIDUTTORE	REDUCTEUR
7	741092.04		741092.03		FIBER KEY	CHIAVETTA IN FIBRA	CLAVETTE
8	734597.2/ 420025.02		734597.25 420025.02		PULLEY SCREW	PULEGGIA VITE/GRANO	POULIE VIS
9		793113.25			WATER PUMP	ASS. POMPA	ENS. POMPE A EAU
10		781392.00			PUMP GUARD	CARTER POMPA	SUPPORT DU POMPE
11	610169.05		610169.06		PLASTIC TUBE	TUBO	TUYAU
12	784359.00		784359.01		WATER DISTRIB. TUBE	TUBO DI DISTRIBUZIONE	ROMPE A EAU
13	783127.00		783161.00		FLOAT VALVE	ASS. GALLEGGIANTE	ENS. FLOTTEUR
14		743128.02 460038.02 640100.00			FLOAT VALVE BRACKET METAL CLIP O RING	SUPPORTO GALLEGGIANTE MOLLETTA IN METALLO GUARNIZIONE OR	SUPPORT FLOTTEUR CLIP METALLIQUE JOINT TORIQUE
15	742112.00		742112.01		FLANGE	FLANGIA	FLASQUE
16	640107.00		640107.01		GASKET	GUARNIZIONE	JOINT
17	742110.00 650615.00		742110.01 650615.01		EVAP. SPACER EVAP. INSULATION	DISTANZIERE EVAP. ISOLAMENTO EVAP.	ENTRETOISE ISOLATION
18	640041.19		640041.18		O RING	GUARNIZIONE OR	JOINT TORIQUE
19	723123.05		723123.04		SCRAPING BLADE	LAMA SCAGLIATRICE	ENS. COUPEAU

Зип Общепит

vsezip.ru

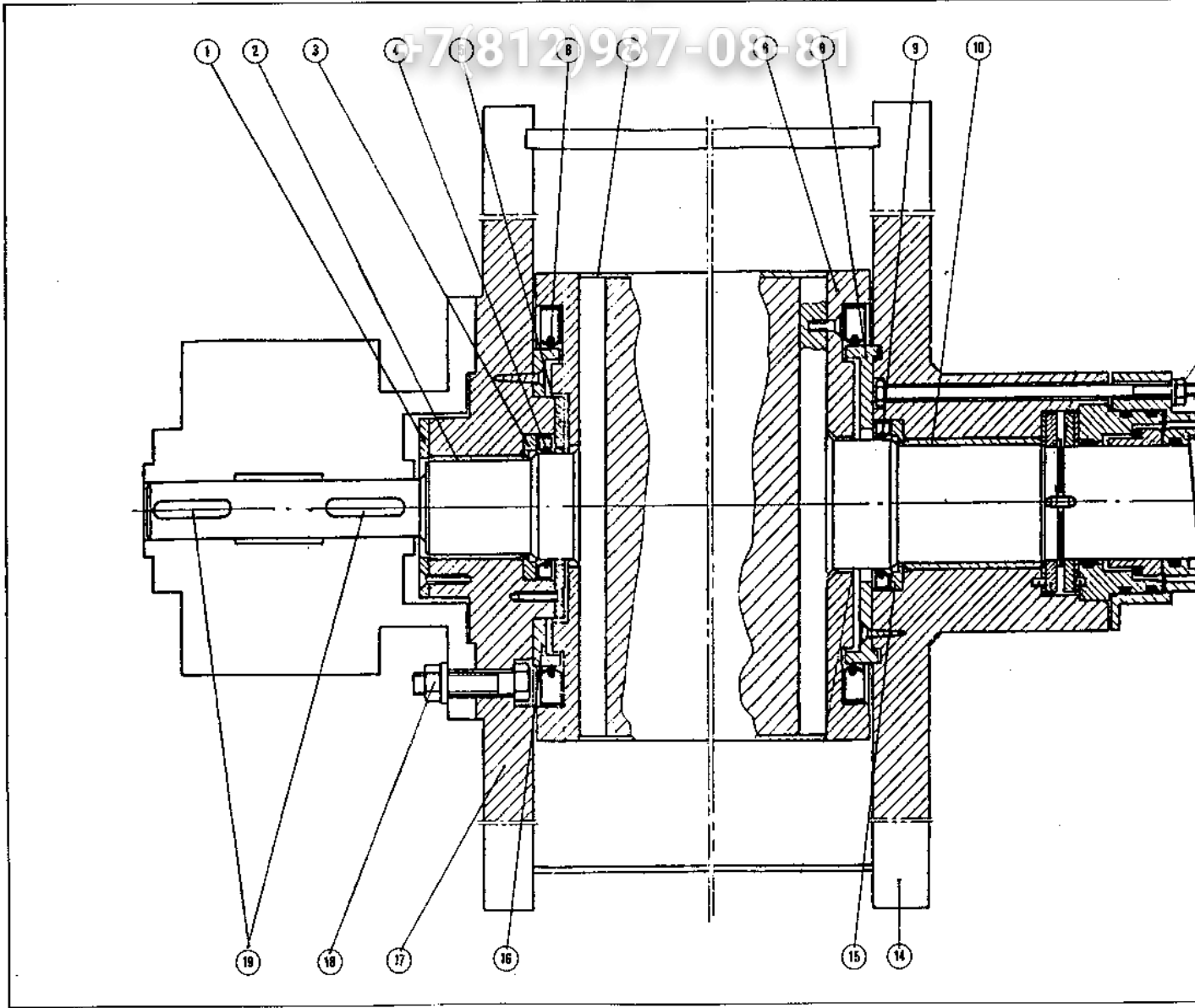
+7(812)987-08-81



Зип Общепит

vsezip.ru

+7(812)987-08-81



Зип Ощепит

MAR 5*-10*-20*-30* - EVAPORATOR ASSY - ASSIEME EVAPORATORE - ENS. EVAPORATEUR

vsezip.ru

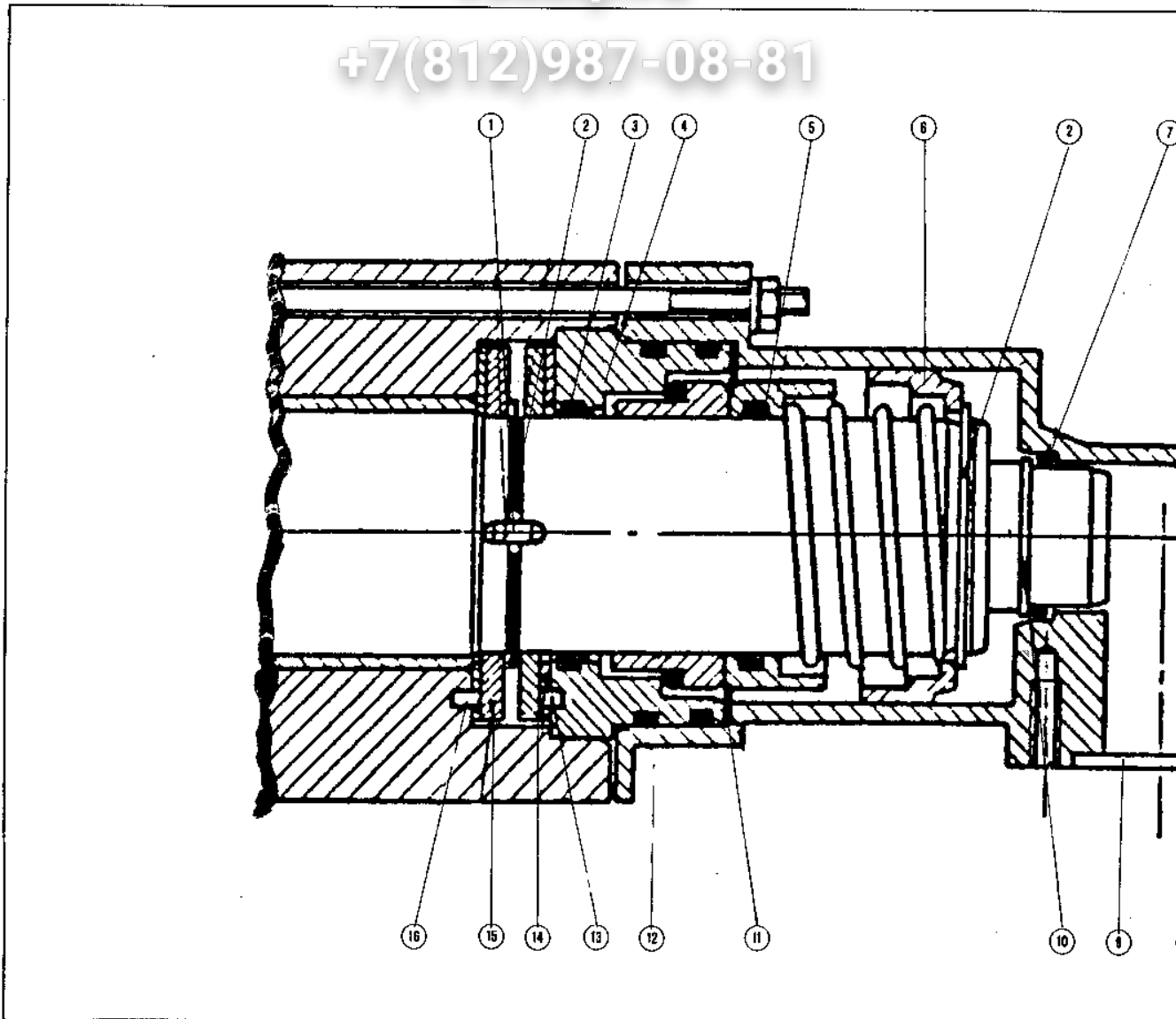
+7(812)987-08-81

ITEM NO	PART NO				DESCRIPTION	DESCRIZIONE	DESIGNATION
	MAR 5*	MAR 10*	MAR 20*	MAR 30*			
1	724254.01		724254.02		FLANGE	FLANGIA	FLASQUE
2	651060.00		651060.01		BUSHING	BRONZINA	BAGUE
3	724255.01		724255.00		SPACER	DISTANZIERE	ENTRETOISE
4	640097.03		640097.04		RING GASKET W/SPRING	GUARNIZIONE CON MOLLA	JOINT PAULSTRA
5	724254.04		724254.03		FLANGE - GEAR SIDE	FLANGIA - LATO RIDUTTORE	FLASQUE - COTÉ RE
6	640097.05		640097.06		RING GASKET W/SPRING	GUARNIZIONE CON MOLLA	JOINT PAULSTRA
7	784353.00		784353.01		EVAPORATORE DRUM ASSY	ASSIEME TAMBURO EVAPORATORE	ENS. TAMBOUR EVAPOR
8	724253.00		724266.00		FLANGE - REFRIG. SIDE	FLANGIA - LATO REFRIGERANTE	FLASQUE - COTÉ RE
9		640097.04			RING GASKET W/SPRING	GUARNIZIONE CON MOLLA	JOINT PAULSTRA
10		651060.01			BUSHING	BRONZINA	BAGUE
11		430001.02 440015.05			NUT WASHER	DADO RONDELLA	ECROU RONDELLE
12		420285.00 650521.00			ALLEN SCREW MANIFOLD FITTING	VITE TESTA INCASS. RACCORDO COLLETTORE	VIS ALLEN RACCORD COLLECT
13		640076.09			GASKET	GUARNIZIONE	JOINT
14	742097.00		742094.00		BASIN SIDE - REFRIGERANT SIDE	FIANCO VASCA - LATO REFRIGERANTE	COTÉ REFRIGERANT
15		724255.00			SPACER	DISTANZIERE	ENTRETOISE
16	724253.01		724266.01		FLANGE - GEAR SIDE	FLANGIA - LATO RIDUTTORE	FLASQUE - COTÉ RE
17	742098.00		742095.00		BASIN SIDE - GEAR SIDE	FIANCO VASCA - LATO RIDUTTORE	COTÉ REDUCTEUR D
18		430001.05 441001.04			NUT WASHER	DADO RONDELLA	ECROU RONDELLE
19	741092.04		741092.03		FIBER KEY	CHIAVETTA	CLAVETTE
					* MAR 5 from S.N. 1010 to S.N. 1178 MAR 10 from S.N. 2010 to S.N. 2092 MAR 20 up to S.N. 2078 MAR 30 up to S.N. 1030	* MAR 5 dal N.S. 1010 a N.S. 1178 MAR 10 dal N.S. 2010 a N.S. 2092 MAR 20 fino a N.S. 2078 MAR 30 fino a N.S. 1030	* MAR 5 de N.S. 1010 MAR 10 de N.S. 2010 MAR 20 a N.S. 2078 MAR 30 a N.S. 1030

Зип Общепит

vsezip.ru

+7(812)987-08-81



Зип Ощепит

vsezip.ru

MAR 5*-10*-20*-30* - SEAL MECHANISM ASSY - ASSIEME ANELLO DI TENUTA - ENSEMBLE GARNITURE D'ETA

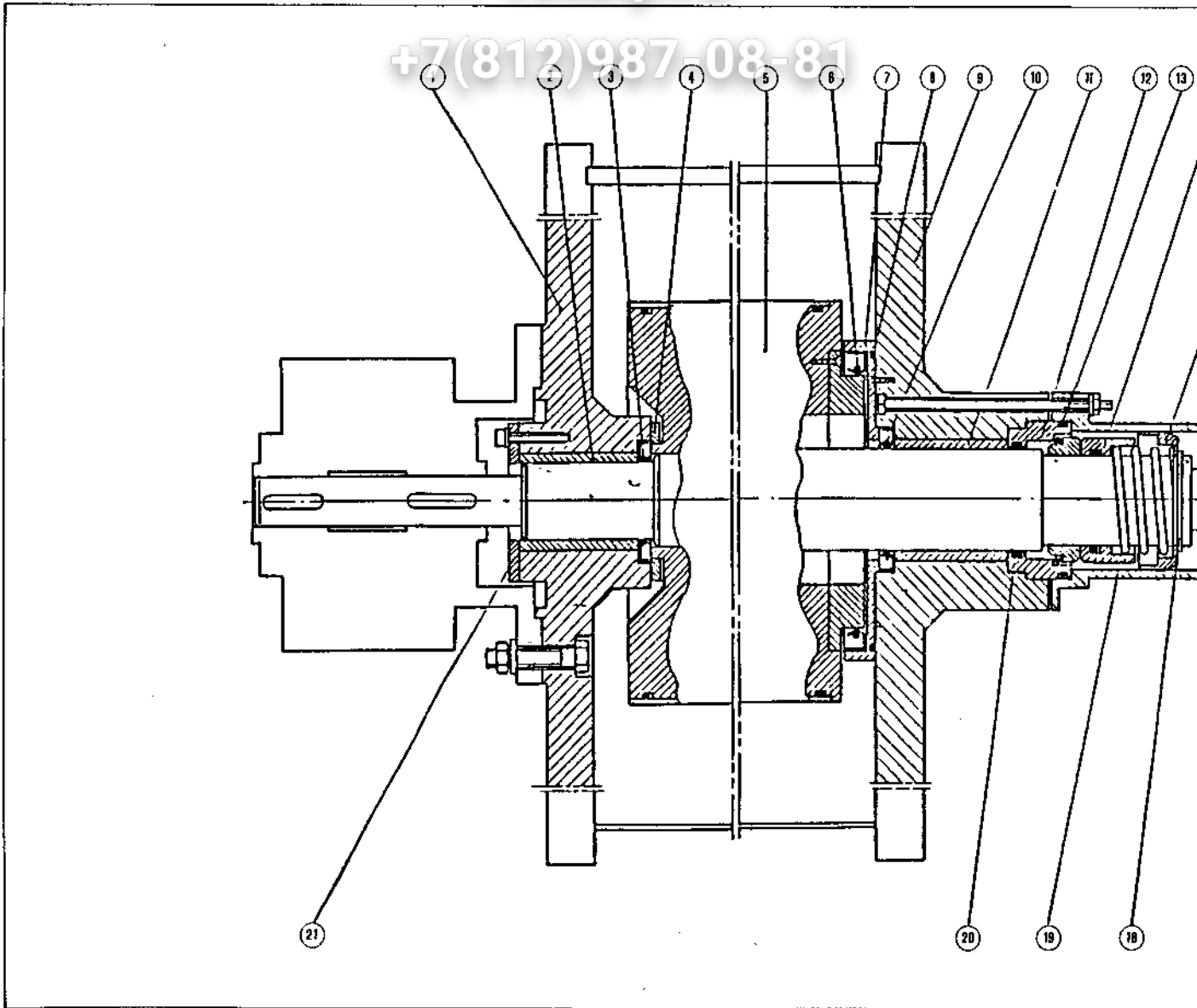
+7(812)987-08-81

ITEM NO	PART NO				DESCRIPTION	DESCRIZIONE	DÉSIGNATION
	MAR 5*	MAR 10*	MAR 20*	MAR 30*			
1		724260.00			KEY	CHIAVETTA	CLAVETTE
2		460000.02			CLIP RING	ANELLO SEEGER	CLIP
3		640041.13			O RING	GUARNIZIONE OR	JOINT TORIQUE
4		724261.00			RING HOUSING THE GRAPHITIC RIG	ANELLO ALLOGGIAMENTO GUARNIZIONE IN GRAFITE	ANNEAU LOGEMENT ANNEAU GRAPHITE
5		650525.00			SEAL MECHANISM	PREMISTOPPA	PRESSE ETOUPE
6		723118.00			SPACER RING	DISTANZIERE	BAGUE ENTRETOISE
7		640096.00			RING GASKET W/SPRING	GUARNIZIONE CON MOLLA	GARNITURE A LEVIE
8		743127.01			REFRIGERANT MANIFOLD	COLLETTORE REFRIGERANTE	COLLECTEUR REFRIG
9		640076.09			GASKET	GUARNIZIONE	JOINT
10		724256.00			WASHER	RONDELLA	RONDELLE
11		640101.00			GASKET	GUARNIZIONE	JOINT
12		640041.10			O RING	GUARNIZIONE OR	JOINT TORIQUE
13		460039.03			SPRING PIN	SPINA ELASTICA	GOUPILLE ELASTIQUE
14		651061.00			WASHER	RALLA	RONDELLE
15		724257.00			SPACER	DISTANZIERE	ENTRETOISE
16		723133.00			PARALLEL PIN	SPINA CILINDRICA	GOUPILLE CYLINDRIQ
*		001028.03			KIT SEAL MECHANISM	KIT ANELLO DI TENUTA	KIT GARNITURE D'ETA
					* MAR 5 from S.N. 1010 to S.N. 1178 MAR 10 from S.N. 2010 to S.N. 2092 MAR 20 up to S.N. 2078 MAR 30 up to S.N. 1030	* MAR 5 dal N.S. 1010 a N.S. 1178 MAR 10 dal N.S. 2010 a N.S. 2092 MAR 20 fino a N.S. 2078 MAR 30 fino a N.S. 1030	* MAR 5 de N.S. 1010 a MAR 10 de N.S. 2010 a MAR 20 a N.S. 2078 MAR 30 a N.S. 1030

Зип Общепит

vsezip.ru

+7(812)987-08-81



Зип Ощепит

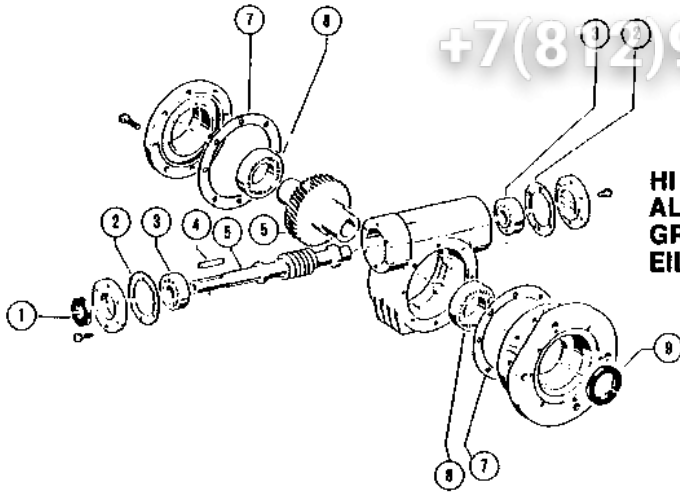
vsezip.ru

MAR 5*-10* - EVAPORATOR ASSY - ASSIEME EVAPORATORE - ENS. EVAPORATEUR - ENS. EVAPORATEUR

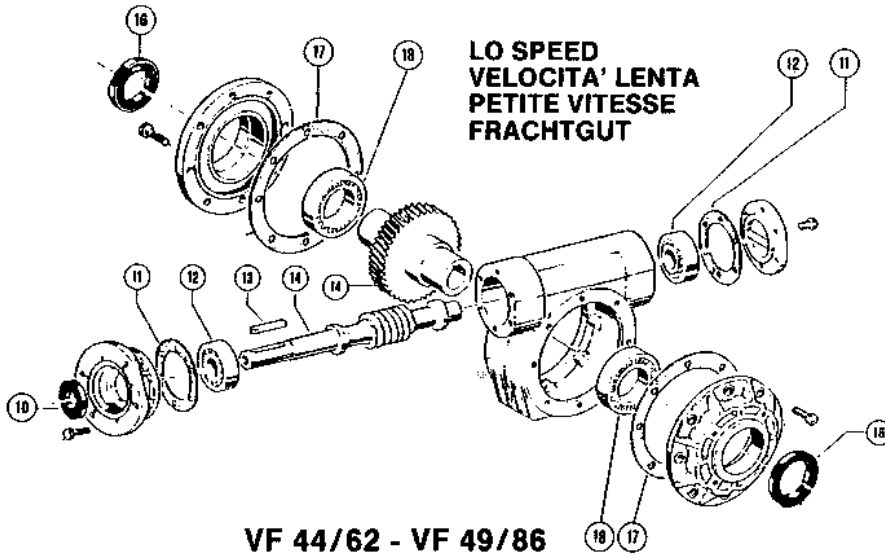
+7(812)987-08-81

ITEM NO.	PART NO		DESCRIPTION	DESCRIZIONE	DESIGNATION
	MAR 5*	MAR 10*			
1	PA 3016.00		BASIN SIDE - GEAR SIDE	FIANCO VASCA - LATO RIDUTT.	CÔTE REDUCTEUR DE CUVE
2	PA 7215.00		BUSHING	BRONZINA	BAGUE
3	640097.02		RING GASKET W/SPRING	GUARNIZIONE CON MOLLA	JOINT PAUSTRA
4	723115.00		SPACER	DISTANZIERE	ENTRETOISE
5	784289.04		EVAPORATOR DRUM ASSY	ASS. TAMBURO EVAPORATORE	ENS. TAMBOUR EVAPOR.
6	640097.00		RING GASKET W/SPRING	GUARNIZIONE CON MOLLA	JOINT PAULSTRA
7	742088.00		SPACER	DISTANZIERE	ENTRETOISE
8	640041.12		O RING	GUARNIZIONE OR	JOINT TORIQUE
9	PA 3017.00		BASIN SIDE - REFR. SIDE	FIANCO VASCA - LATO REFRIG.	CÔTÉ REFRIG. DE CUVE
10	640097.01		RING GASKET W/SPRING	GUARNIZIONE CON MOLLA	JOINT PAUSTRA
11	PA 7215.01		BUSHING	BRONZINA	BAGUE
12	723117.00		GRAPHITIC RING HOUSING	ALLOGGIAMENTO ANELLO IN GRAFITE	LOGEMENT ANNEAU GRAPHIT
13	640041.10		O RING	GUARNIZIONE OR	JOINT TORIQUE
14	650525.00		SEAL MECHANISM	PREMISTOPPA	PRESSE ETOUPE
15	723118.00		SPACER RING	DISTANZIERE	BAGUE ENTRETOISE
16	640098.00		RING GASKET W/SPRING	GUARNIZIONE CON MOLLA	GARNITURE A LEVIE
17	PA 7212.01		WASHER	RONDELLA	RONDELLE
18	460000.02		CLIP RING	ANELLO SEEGER	CIRCLIP
18	743127.00		REFRIGERANT MANIFOLD	COLLETORE REFRIGERANTE	COLLECTEUR REFRIGERANT
20	640041.09		O RING	GUARNIZIONE OR	JOINT TORIQUE
21	723116.00		FLANGE	FLANGIA	FLASQUE
			* MAR 5 UP TO S.N. 1009 * MAR 10 FROM S.N. 2001 TO S.N. 2009	* MAR 5 FINO AL N.S. 1009 * MAR 10 DAL N.S. 2001 AL N.S. 2009	* MAR 5 JUSQU'A N.S. 1009 * MAR 10 A PARTIR DE N.S. 2001 A

+7(812)987-08-81

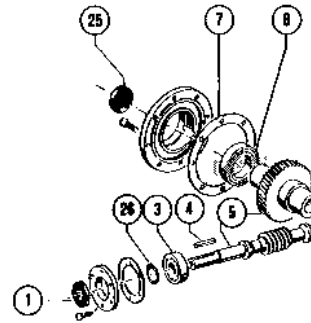


HI SPEED
ALTA VELOCITA'
GRANDE VITESSE
EILGUT

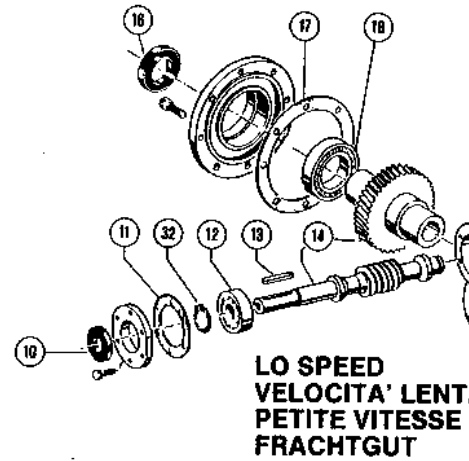


LO SPEED
VELOCITA' LENTA
PETITE VITESSE
FRACHTGUT

VF 44/62 - VF 49/86



HI SPEED
ALTA VELOCITA'
GRANDE VITESSE
EILGUT



LO SPEED
VELOCITA' LENTA
PETITE VITESSE
FRACHTGUT

VF 30/62 - VF

Зип Общепит

MAR 5-10-20-30 - GEAR REDUCER - RIDUTTORE - RÉDUCTEUR - GETRI

ITEM NO	PART NO				DESCRIPTION	DESCRIZIONE	DÉSIGNATION
	MAR 5 - VF 44/62	MAR 10 - VF 30/62	MAR 20 - VF 49/86	MAR 30 - VF 44/86			
1	001031.10	001035.10	001033.10	001031.21	OIL SEAL	PARAOLIO	JOINT D'ÉTANCHÉITE
2	001031.07	—	001033.07	—	GASKET	GUARNIZIONE	JOINT
3	001031.08	001035.08	001033.08	001036.08	BEARING	CUSCINETTO	ROULEMENT
4	001031.12	001035.12	001033.12	001031.12	KEY	CHIAVETTA	CLAVETTE
5	001031.02	001035.02	001033.02	001031.23	WORMSHAFT & WHEEL	VITE SENZA FINE E INGRANAGGIO	VIS SANS FIN & ENGR
7	001031.11	001035.11	001033.11	001031.11	GASKET	GUARNIZIONE	JOINT
8	001031.06	001035.06	001033.06	001033.06	BEARING	CUSCINETTO	ROULEMENT
9	001031.09	001035.09	001029.11	001031.09	OIL SEAL	PARAOLIO	JOINT D'ÉTANCHÉITE
10	001029.10	001029.21	001032.10	001032.10	OIL SEAL	PARAOLIO	JOINT D'ÉTANCHÉITE
11	001029.07	001029.07	001032.07	001032.07	GASKET	GUARNIZIONE	JOINT
12	001029.08	001029.13	001032.08	001032.08	BEARING	CUSCINETTO	ROULEMENT
13	001029.12	001029.12	001032.12	001032.12	KEY	CHIAVETTA	CLAVETTE
14	001029.02	001029.23	001032.02	001032.23	WORMSHAFT & WHEEL	VITE SENZA FINE E INGRANAGGIO	VIS SANS FIN & ENGR
16	001029.11	001029.11	001032.11	001032.11	OIL SEAL	PARAOLIO	JOINT D'ÉTANCHÉITE
17	001029.06	001029.06	001032.06	001032.06	GASKET	GUARNIZIONE	JOINT
18	001029.09	001029.09	001032.09	001032.09	BEARING	CUSCINETTO	ROULEMENT
19	001031.08	001035.08	001033.08	001031.13	BEARING	CUSCINETTO	ROULEMENT
20	—	001035.14	—	001031.14	SPACER	RALLA	ENTRETOISE
21	—	001035.15	—	001031.15	CIRCLIP	SEEGER	CIRCLIP
22	—	001035.16	—	001031.16	SPACER	RALLA	ENTRETOISE
23	—	001035.17	—	001031.17	CIRCLIP	SEEGER	CIRCLIP
24	—	001035.18	—	001031.18	RUBBER CAP	CAPPELLOTTO IN GOMMA	CAPOUCHON EN CA
25	—	001035.19	—	001031.19	RUBBER CAP	CAPPELLOTTO IN GOMMA	CAPOUCHON EN CA
26	—	001035.20	—	001031.20	CIRCLIP	SEEGER	CIRCLIP
27	—	001029.14	—	001032.14	SPACER	RALLA	ENTRETOISE
28	—	001029.15	—	001032.15	CIRCLIP	SEEGER	CIRCLIP
29	—	001029.16	—	001032.16	SPACER	RALLA	ENTRETOISE
30	—	001029.17	—	001032.17	CIRCLIP	SEEGER	CIRCLIP
31	—	001029.18	—	001032.18	RUBBER CAP	CAPPELLOTTO IN GOMMA	CAPOUCHON EN CA
32	—	001029.20	—	001032.20	CIRCLIP	SEEGER	CIRCLIP

Зип Общепит

vsezip.ru

MAR 5-10-20-30 WATER COOLED - RAFFR. AD ACQUA - REFROIDI PAR EAU - WAS

PART NO				DESCRIPTION	DESCRIZIONE	DÉSIGNATION
MAR 5	MAR 10	MAR 20	MAR 30			
620331.01	620313.00	620314.01	620315.01	CONDENSER	CONDENSATORE	CONDENSEUR
—	650425.00	650425.01	650425.02	HOSE BARB COUPLING	PORTAGOMMA	RACCORD POUR TUYAU
—	650427.00	650423.01	650423.02	NUPPLE	NIPPLO	RACCORD
—	650425.00	650425.02	650425.03	HOSE BARB COUPLING	PORTAGOMMA	RACCORD POUR TUYAU
—	—	650424.01	650424.02	ELBOW	GOMITO	RACCORD 90°
620111.00	620111.00	620111.01	620310.05	WATER REGUL. VALVE	VALVOLA REGOL. ACQUA	VANNE REGULAT.EAU
	420000.13			SCREW	VITE	VIS
	441001.05			WASHER	RONDELLA	RONDELLE
	400044.02			NUT	DADO	ECROU
	794221.03			AUX. FAN MOTOR ASSY	ASS. MOTOVENTILATORE AUS.	ENS. MOTOVENTILATEUR
	620300.00			FAN MOTOR	MOTORE VENTILATORE	MOTEUR
	620000.01			FAN BLADE	VENTOLA	HELICE