

# CME1356 and CME1656 Service Parts

This parts list contains the part numbers and description of the replacement parts available for these two models.

They have been manufactured in both 50 Hz and 60 Hz models, plus there have been model series changes from A to C to D to E to F to H.

To avoid costly and time consuming errors, double check the model and voltage before ordering a part.

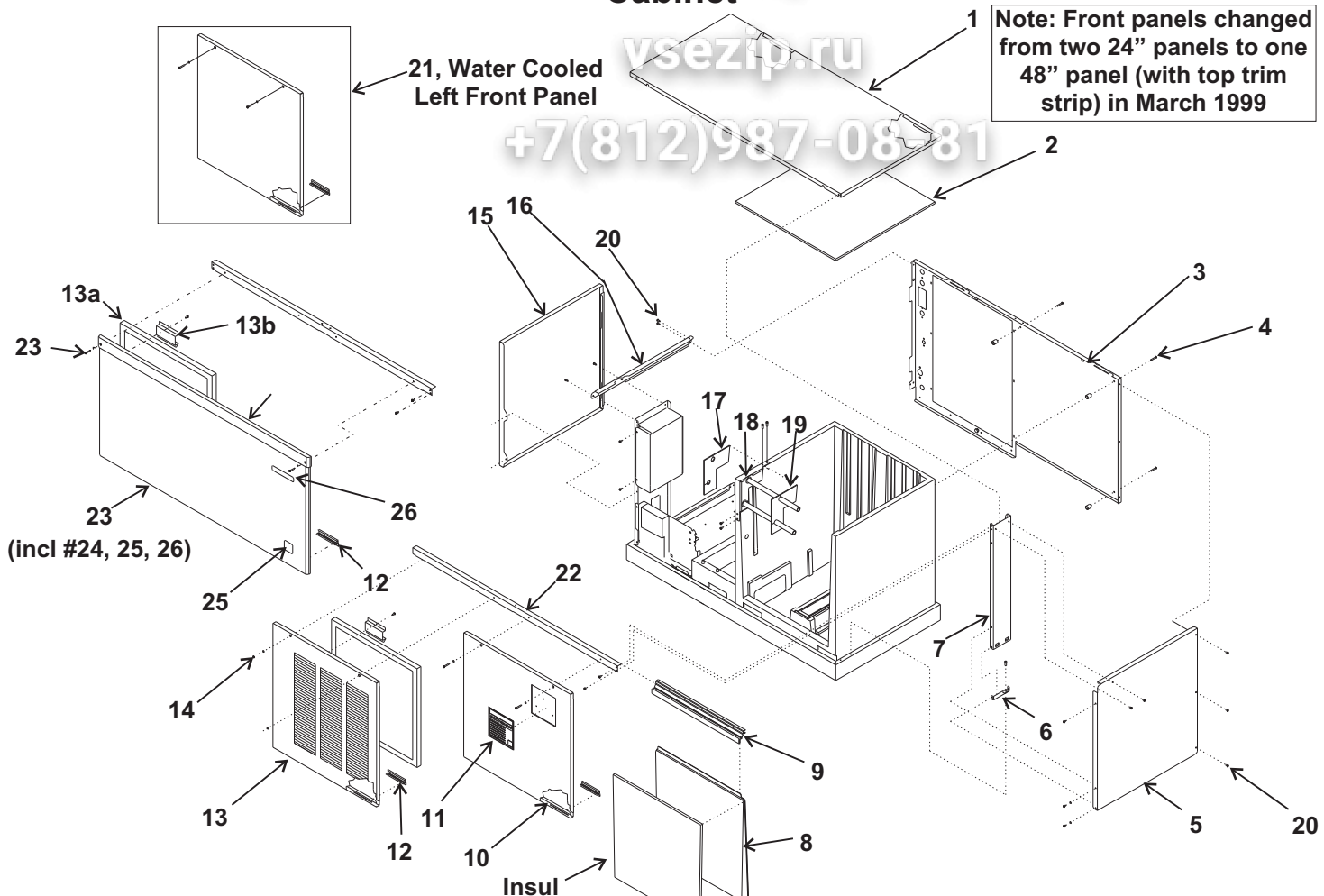
## Table of Contents

|   |         |
|---|---------|
| Cabinet . . . . .                           | page 2  |
| Water System . . . . .                      | page 3  |
| Air Cooled Refrigeration System . . . . .   | page 4  |
| Water Cooled Refrigeration System . . . . . | page 5  |
| Electrical . . . . .                        | page 6  |
| BH900 . . . . .                             | page 7  |
| BH1356 . . . . .                            | page 8  |
| Kit Parts . . . . .                         | page 9  |
| Wiring Diagrams . . . . .                   | page 10 |

# CME1356 and CME1656 Service Parts Cabinet

www.vsezip.ru  
+7(812)987-08-81

Note: Front panels changed from two 24" panels to one 48" panel (with top trim strip) in March 1999



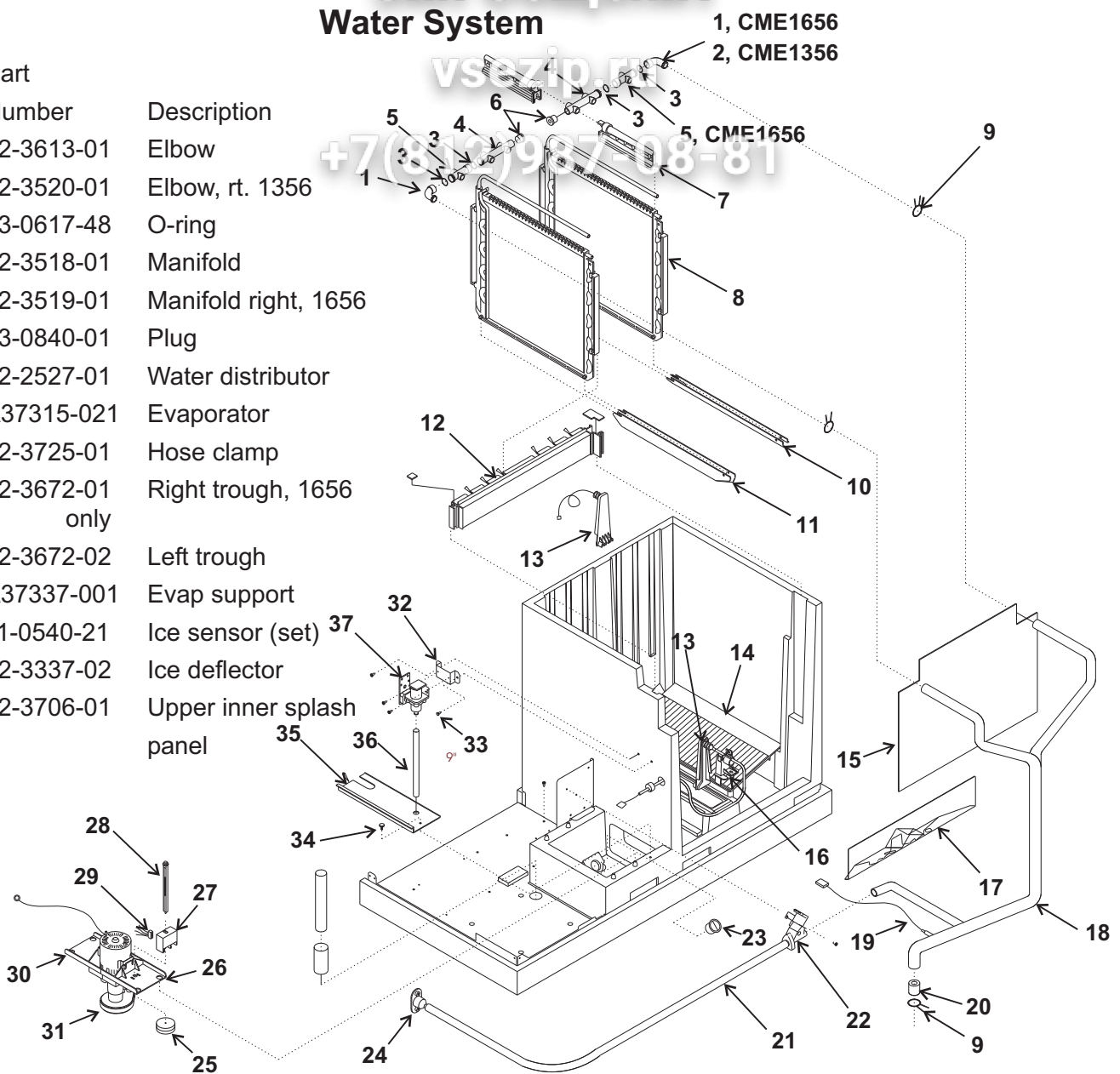
| Item Number | Part Number | Description                          | Part Number | Description |   |
|-------------|-------------|--------------------------------------|-------------|-------------|---|
| 1           | A37202-015  | Top panel, Grey                      | 13a         | 02-3485-01  | Air filter, for front or left side                        |
|             | A37202-002  | Top panel, SS                        | 13b         | A37326-001  | Filter bracket (either)                                   |
|             | 02-3823-21  | Top panel, plastic for C - H series. | 14          | 03-1728-01  | Front panel screw   |
|             |             |                                      | 15          | A37198-015  | Left side panel, no louvers grey                          |
| 2           |             | Will not fit A or B series.          |             | A37198-002  | Left side panel, no louvers SS                            |
|             | 02-3686-01  | Insulation                           |             | A38025-001  | Left side panel, louvered for Air cooled E & F & H series |
| 3           | 02-3686-01  | Insulation                           | 16          | A37193-001  | Left side channel   |
| 4           | A37197-001  | Back pnl - for wc A & B              | 17          | 02-3696-03  | Left grommet  |
|             | A37196-001  | Back pnl - for ac A & B              | 18          | A37216-001  | Bracket   |
|             | A37670-001  | Back pnl for AC C - H                | 19          | 02-3696-02  | Right grommet   |
|             | A37669-001  | Back pnl for WC C - H                | 20          | 03-1531-01  | Screw   |
| 5           | 03-1404-37  | Screw                                | 21          | A37201-015  | 24" Left front panel, grey                                |
|             | A37199-015  | Rt side panel, grey, A & B           |             | A37201-002  | 24" Left front panel, SS                                  |
|             | A37199-002  | Rt side panel, SS, A & B             | 22          | A37195-001  | Top front channel   |
| 6           | A37668-001  | Rt side panel, C - H series          | 23          | A37489-001  | SS 48" panel w/o louvers                                  |
|             | A37194-001  | Right bottom channel                 |             | A37489-002  | Grey 48" panel w/o louvers                                |
|             | A37213-001  | Right side support                   |             | A37489-003  | SS 48" panel with louvers                                 |
| 7           | A37213-001  | Right side support                   |             | A37489-004  | Grey 48" panel with louvers                               |
| 8           | 02-3702-21  | Evaporator cover, incl insul         |             |             |   |
| 9           | 02-3701-01  | Cover retainer                       | 23a         | 03-1735-01  | Screw   |
| 10          | A37200-015  | 24" Right front panel, grey          | 24          | 02-3794-02  | Trim strip  |
|             | A37200-002  | 24" Right front panel, SS            |             | 03-1731-02  | Push nut  |
| 11          | 15-0808-01  | Emblem                               | 25          | 15-0792-01  | CM3 emblem  |
| 12          | 02-3699-01  | Panel support clip                   | 26          | 15-0711-02  | Scotsman emblem   |
|             |             |                                      |             | 03-0271-00  | Nut for emblems #25 & 26                                  |
| 13          | A37262-015  | 24" Left front panel AC - grey       |             |             |   |
|             | A37262-002  | 24" Left front panel, AC - SS        |             |             |   |

# CME1356 and CME1656 Service Parts

## Water System

| Item Number | Part Number | Description |
|-------------|-------------|-------------|
|-------------|-------------|-------------|

|    |            |                          |
|----|------------|--------------------------|
| 1  | 02-3613-01 | Elbow                    |
| 2  | 02-3520-01 | Elbow, rt. 1356          |
| 3  | 13-0617-48 | O-ring                   |
| 4  | 02-3518-01 | Manifold                 |
| 5  | 02-3519-01 | Manifold right, 1656     |
| 6  | 13-0840-01 | Plug                     |
| 7  | 02-2527-01 | Water distributor        |
| 8  | A37315-021 | Evaporator               |
| 9  | 02-3725-01 | Hose clamp               |
| 10 | 02-3672-01 | Right trough, 1656 only  |
| 11 | 02-3672-02 | Left trough              |
| 12 | A37337-001 | Evap support             |
| 13 | 11-0540-21 | Ice sensor (set)         |
| 14 | 02-3337-02 | Ice deflector            |
| 15 | 02-3706-01 | Upper inner splash panel |



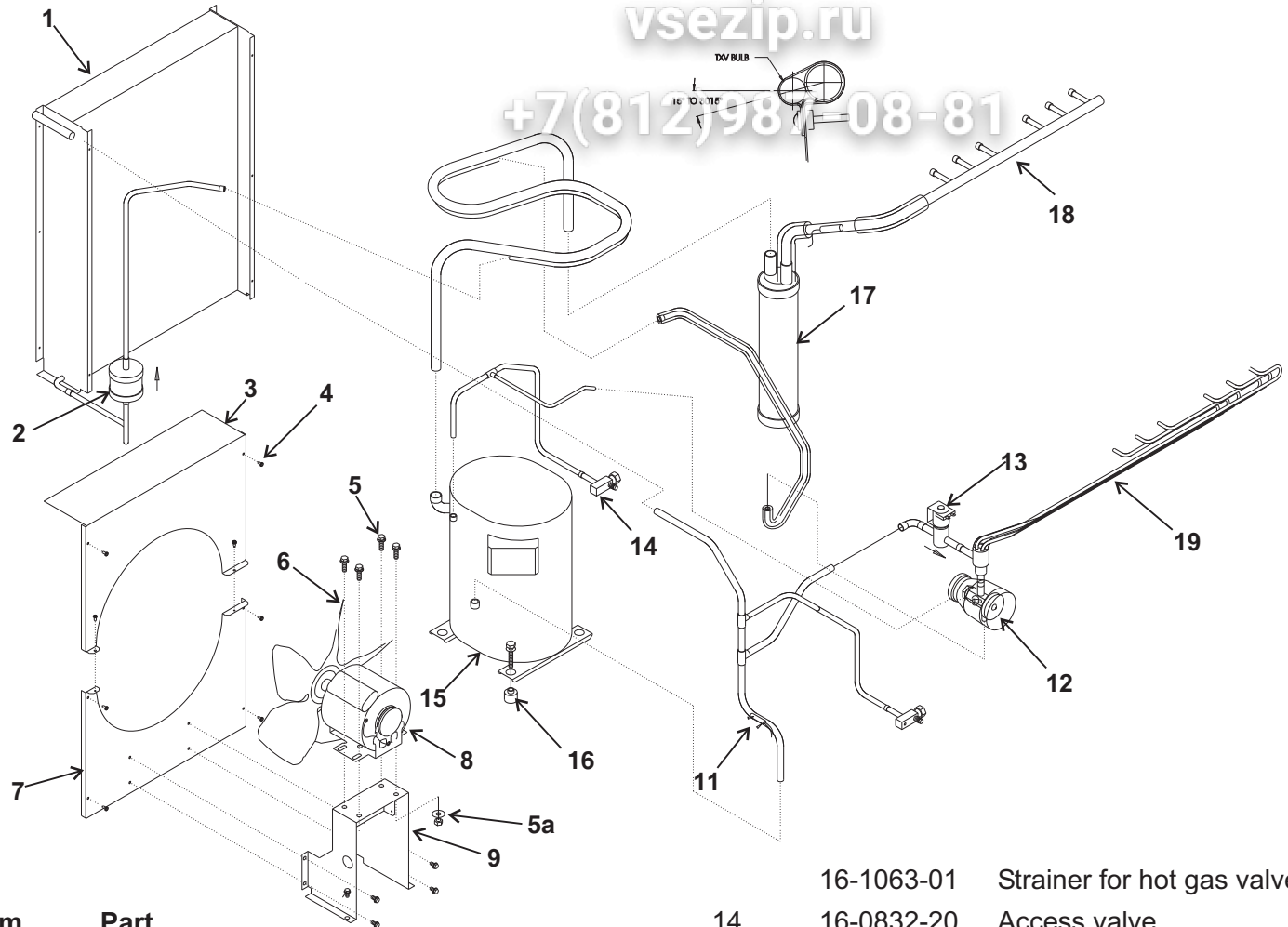
|    |            |   |    |            |                            |
|----|------------|---|----|------------|----------------------------|
| 16 | 02-3689-01 | Ice sensor holder                         | 27 | 11-0539-51 | Water level sensor         |
| 17 | 02-3680-01 | Lower inner splash panel                  | 28 | 02-3383-04 | Float stem, tan for 1356   |
| 18 | 02-3660-02 | CME1356 water hose                        |    | 02-3383-05 | Float stem, brown for 1656 |
|    | 02-3660-01 | CME1656 water hose                        | 29 | 12-2665-01 | Harness for water sensor   |
| 19 | 11-0515-21 | Temp sensor set                           | 30 | 02-3388-05 | Pump bracket               |
| 20 | 02-3614-01 | Flow restrictor, 1356 only no longer used | 31 | 12-2582-21 | Water pump                 |
| 21 | 13-0674-06 | Drain hose, order 2 units                 | 32 | A37204-001 | Bracket                    |
| 22 | 11-0514-01 | Purge valve                               | 33 | 03-1404-18 | Screw                      |
| 23 | 02-3703-01 | Drain plug                                | 34 | 03-1691-01 | Nylon screw                |
| 24 | 02-3692-21 | Drain fitting                             | 35 | 02-3534-01 | Reservoir cover            |
| 25 | 02-3341-01 | Float                                     | 36 | 13-0674-02 | Tube, order 1 unit         |
| 26 | 02-3388-04 | Pump bracket                              | 37 | 12-2666-01 | Inlet water valve          |
|    |            |   |    | 16-0355-00 | Coupling                   |

# CME1356 and CME1656 Service Parts

## Air Cooled Refrigeration

vsezip.ru

+7(812)981-08-81



| Item Number | Part Number | Description                                |
|-------------|-------------|--|
| 1           | 18-8817-01  | Air cooled condenser                       |
| 2           | 02-3319-02  | Filter dryer                               |
| 3           | A37205-001  | Top fan shroud                             |
| 4           | 03-1531-01  | Screw                                      |
| 5           | 03-1251-01  | Hex cap screw                              |
| 5a          | 03-1406-10  | Nut  |
| 6           | 18-8765-01  | Fan blade                                  |
| 7           | A37206-001  | Bottom fan shroud                          |
| 8           | 18-8818-01  | Fan motor                                  |
| 9           | A37207-001  | Fan bracket                                |
| 10          | 03-1645-01  | Screw                                      |
| 11          | 11-0515-21  | Temp sensor set                            |
| 12          | 16-1066-21  | TXV, ANE1 ¼ SZ                             |
|             | 02-3396-01  | Insulation for TXV                         |
| 13          | 11-0507-01  | Hot gas valve, 1356                        |
|             | 11-0507-02  | Hot gas valve, 1656                        |
|             | 12-2719-23  | Coil for hot gas valve                     |
|             | 14          | 16-1063-01 Strainer for hot gas valve      |
|             |             | 16-0832-20 Access valve                    |
|             |             | 16-0832-03 Port cap                        |
|             |             | 16-0832-02 Stem cap                        |
|             | 15          | 18-8751-23 Compressor, 60 Hz, single phase |
|             |             | 18-8751-25 Compressor, 60 Hz, 3 phase      |
|             |             | 18-8751-27 Compressor, 50 Hz, single phase |
|             | 16          | 18-2300-27 Grommet                         |
|             |             | 18-2200-27 Sleeve                          |
|             |             | 03-1405-20 Bolt                            |
|             |             | 03-1407-07 Washer                          |
|             | 17          | 16-1031-21 Accumulator                     |
|             | 18          | 16-1032-02 Suction manifold, 1656          |
|             |             | 16-1032-01 Suction manifold, 1356          |
|             | 19          | A37312-021 Distributor and tubes, 1356     |
|             |             | A37312-022 Distributor and tubes, 1656     |

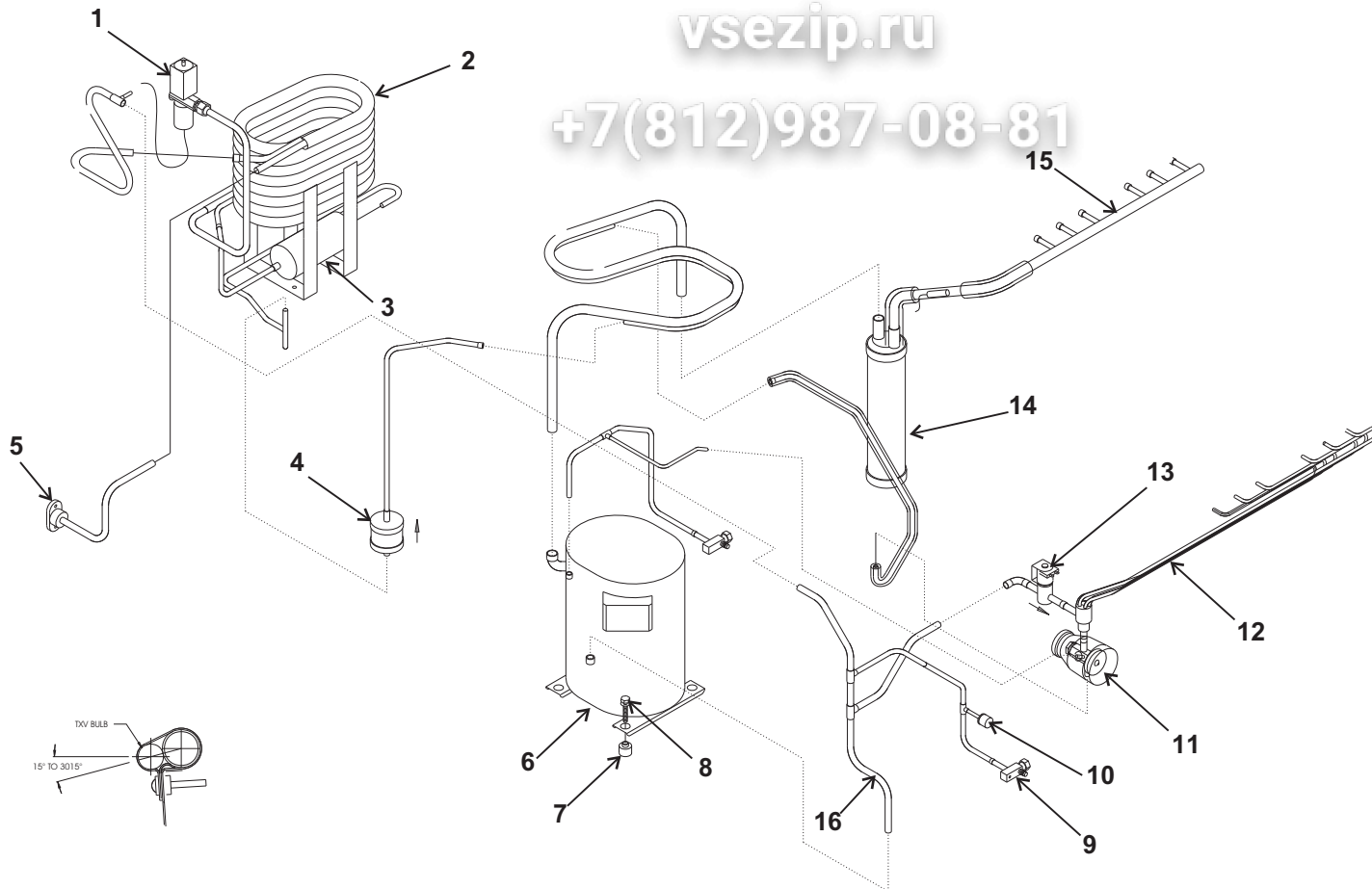
Replacement compressors include a crankcase heater that may be disconnected or used and a dryer.

# CME1356 and CME1656 Service Parts

## Water Cooled Refrigeration

vsezip.ru

+7(812)987-08-81



| Item Number | Part Number  | Description                              | Item Number | Part Number | Description                 |
|-------------|--------------|--|-------------|-------------|-----------------------------|
| 1           | 11-0478-21   | Water regulating valve                   | 9           | 16-0832-20  | Access valve                |
| 2           | 18-8767-25   | A - E series water cooled condenser      |             | 16-0832-03  | Port cap                    |
|             | 18-8865-21   | F & higher series water cooled condenser |             | 16-0832-02  | Stem cap                    |
| 3           | 02-2628-02   | Receiver                                 | 10          | 11-0501-21  | Hi pressure cut out         |
| 4           | 02-3319-02   | Filter dryer                             | 11          | 16-1066-21  | TXV, ANE1 ¼ SZ              |
| 5           | A31828-003   | Adapter                                  |             | 02-3396-01  | Insulation for TXV          |
| 6           | Compressors: |  | 12          | A37312-021  | Distributor and tubes, 1356 |
|             | 18-8751-23   | 60 Hz, single phase                      |             | A37312-022  | Distributor and tubes, 1656 |
|             | 18-8751-25   | 60 Hz, 3 phase                           | 13          | 11-0507-01  | Hot gas valve, 1356         |
|             | 18-8751-27   | 50 Hz, single phase                      |             | 11-0507-22  | Hot gas valve, 1656         |
| 7           | 18-2300-27   | Grommet                                  |             | 16-1063-01  | Strainer for hot gas valve  |
|             | 18-2200-27   | Sleeve                                   |             | 12-2719-23  | Coil for hot gas valve      |
| 8           | 03-1405-20   | Bolt                                     | 14          | 16-1031-21  | Accumulator                 |
|             | 03-1407-07   | Washer                                   | 15          | 16-1032-02  | Suction manifold, 1656      |
|             |              |  |             | 16-1032-01  | Suction manifold, 1356      |
|             |              |  | 16          | 11-0515-21  | Temp sensor set             |

Replacement compressors include a crankcase heater that may be disconnected and a dryer.

# CME1356 and CME1656 Service Parts

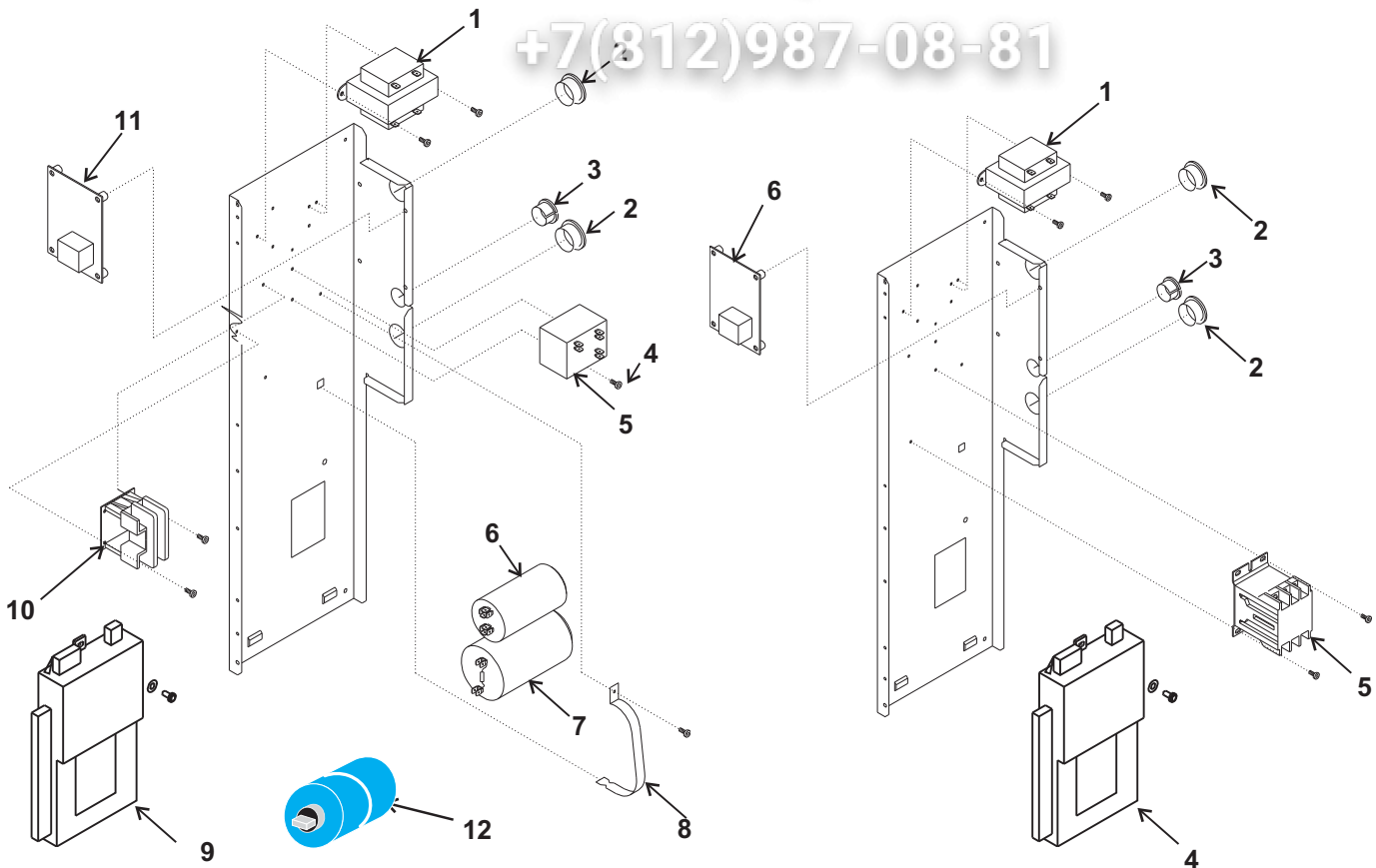
Electrical

vsezip.ru

+7(812)987-08-81

Single Phase

Three Phase



## Single Phase

| Item Number | Part Number | Description            |
|-------------|-------------|------------------------|
| 1           | A37217-001  | Transformer            |
| 2           | 12-1213-11  | Snap bushing           |
| 3           | 12-1213-10  | Snap bushing           |
| 4           | 03-1531-01  | Screw                  |
| 5           | 18-1903-46  | 60 Hz potential relay  |
|             | 18-1903-56  | 50 Hz potential relay  |
| 6           | 18-1902-56  | Run capacitor          |
| 7           | 18-1901-27  | 60 Hz start capacitor  |
|             | 18-1901-57  | 50 Hz start capacitor  |
| 8           | A37125-001  | Strap                  |
| 9           | 12-2838-23  | Controller Kit         |
| 10          | 12-2469-01  | Single phase contactor |
| 11          | 11-0531-22  | Purge valve timer      |
| 12          | 18-8840-01  | PTCR                   |
| 12a         | 18-8840-02  | PTCR Bracket           |

## Three Phase

| Item Number | Part Number | Description           |
|-------------|-------------|-----------------------|
| 1           | A37217-001  | Transformer           |
| 2           | 12-1213-11  | Snap bushing          |
| 3           | 12-1213-10  | Snap bushing          |
| 4           | 12-2838-23  | Controller            |
| 5           | 12-2533-01  | Three phase contactor |
| 6           | 11-0531-22  | Purge valve timer     |

Not Shown

|                         |                              |
|-------------------------|------------------------------|
| 11-0521-21              | Bin thermostat               |
| 02-3740-01              | Thermostat bracket           |
| 03-1675-03              | 3 pronged knob               |
| 12-2701-01              | Bin thermo harness           |
| 12-2663-01              | Lo voltage harness, A-C      |
| 12-2659-01              | Hi voltage harness, A-C      |
| 12-2679-01              | Relay, -6 B thru H           |
| 12-2686-01              | Fuse, -6 B thru H            |
| 12-2639-02              | Transformer, -6 B, thru H    |
| 12-2798-01              | Hi volt harness, -6 B thru H |
| 12-2738-01              | Lo volt harness, -6 B thru C |
| 12-2792-01              | Lo volt harness, -6 D thru H |
| <b>D thru H series:</b> |                              |
| 12-2791-01              | Lo voltage harness, 60 Hz    |
| 12-2796-01              | Hi voltage harness, 60 Hz    |

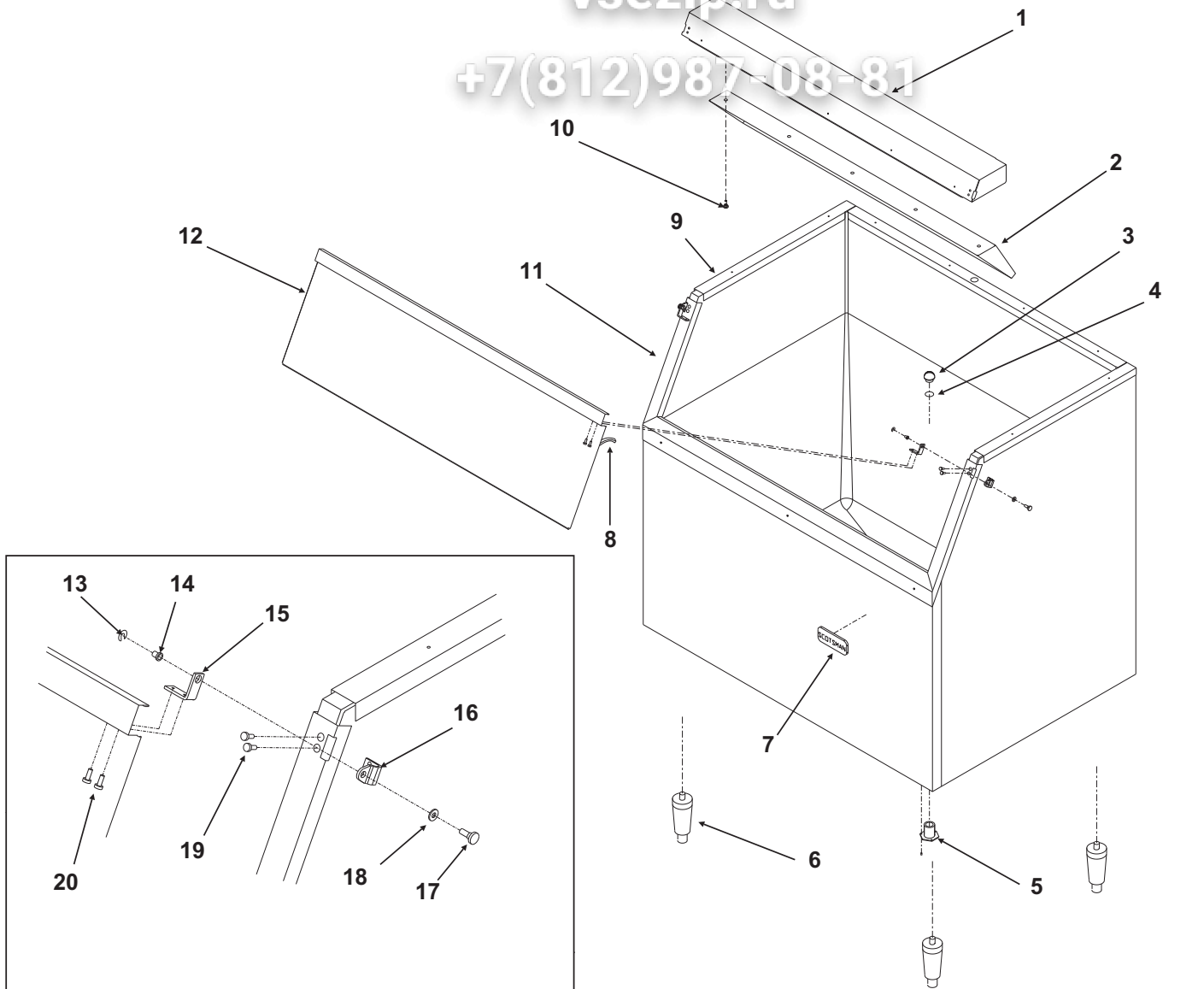


# CME1356 and CME1656 Service Parts

## BH900 Ice Storage Bin

vsezip.ru

+7(812)987-08-81



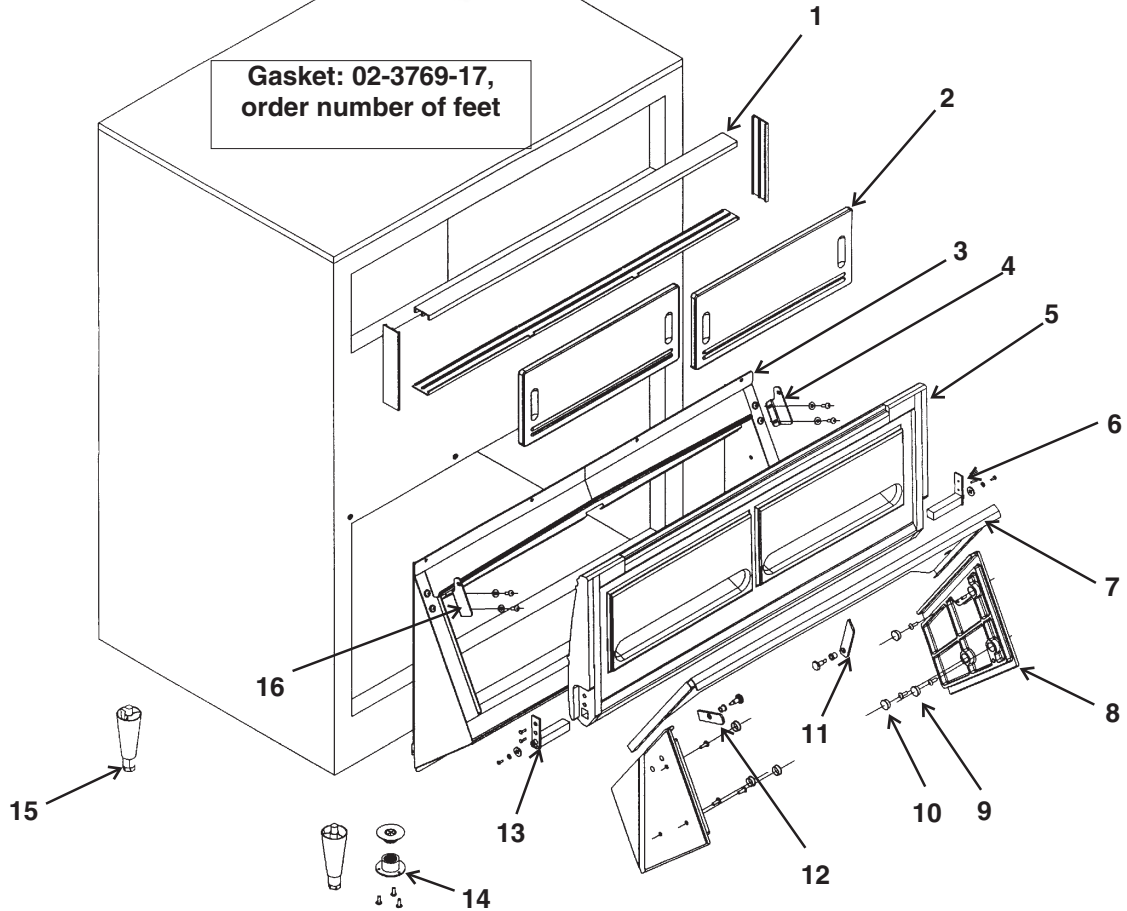
| ITEM NUMBER | PARTS NUMBER         | DESCRIPTION                |
|-------------|----------------------|----------------------------|
| 1           | A35322-020           | Canopy Assembly            |
| 2           | A35152-001           | Ice Baffle                 |
| 3           | 02-2809-01           | Drain Top                  |
| 4           | 13-0617-11           | O-ring                     |
| 5           | 02-3201-01           | Drain casting              |
| 6           | KLP2E Leg Kit, Black |                            |
| 7           | 15-0808-01           | Emblem                     |
| 8           | 13-0595-00           | Door gasket( order qty 7)  |
| 9           | 19-0503-04           | Bin gasket (order by foot) |
| 10          | 03-0727-11           | Baffle screw               |
| 11          | A35275-001           | Door frame assy. except C  |
|             | A37641-021           | C series door frame        |
| 12          | A35323-020           | Door with gasket - BH900   |
| 13          | 03-1539-09           | "E" ring                   |
| 14          | 02-2380-01           | Hinge bushing              |
| 15          | 02-3195-01           | Door hinge                 |
| 16          | 02-3196-01           | Bin hinge                  |
| 17          | 02-2806-01           | Shoulder screw             |
| 18          | 02-2380-02           | Spacer                     |
| 19          | 03-1403-29           | Screw 10-24                |
| 20          | 03-1403-24           | Screw 10-24                |

# CME1356 and CME1656 Service Parts

## BH1356 Ice Storage Bin

vsezip.ru

+7(812)987-08-81



| Item Number | Part Number | Description            |
|-------------|-------------|------------------------|
| 1           | 02-3769-02  | Track                  |
| 2           | 02-3769-16  | Window                 |
| 3           | 02-3769-04  | Lower frame assembly   |
| 4           | 02-3769-08  | Left and right hinges  |
| 5           | 02-3769-05  | Door with door hinges  |
| 6           | 02-3769-07  | Right hinge            |
| 7           | 02-3769-09  | Ice gate               |
| 8           | 02-3769-12  | End plate guide (pair) |
| 9           | 02-3769-13  | Screws for end plate   |
| 10          | 02-3769-14  | Plugs for end plate    |
| 11          | 02-3769-10  | Catch for ice gate     |
| 12          | 02-3769-15  | Ice gate retainer      |
| 13          | 02-3769-06  | Left hinge             |
| 14          | 02-3769-01  | Plastic drain          |
| 15          | KLP2S       | Legs                   |



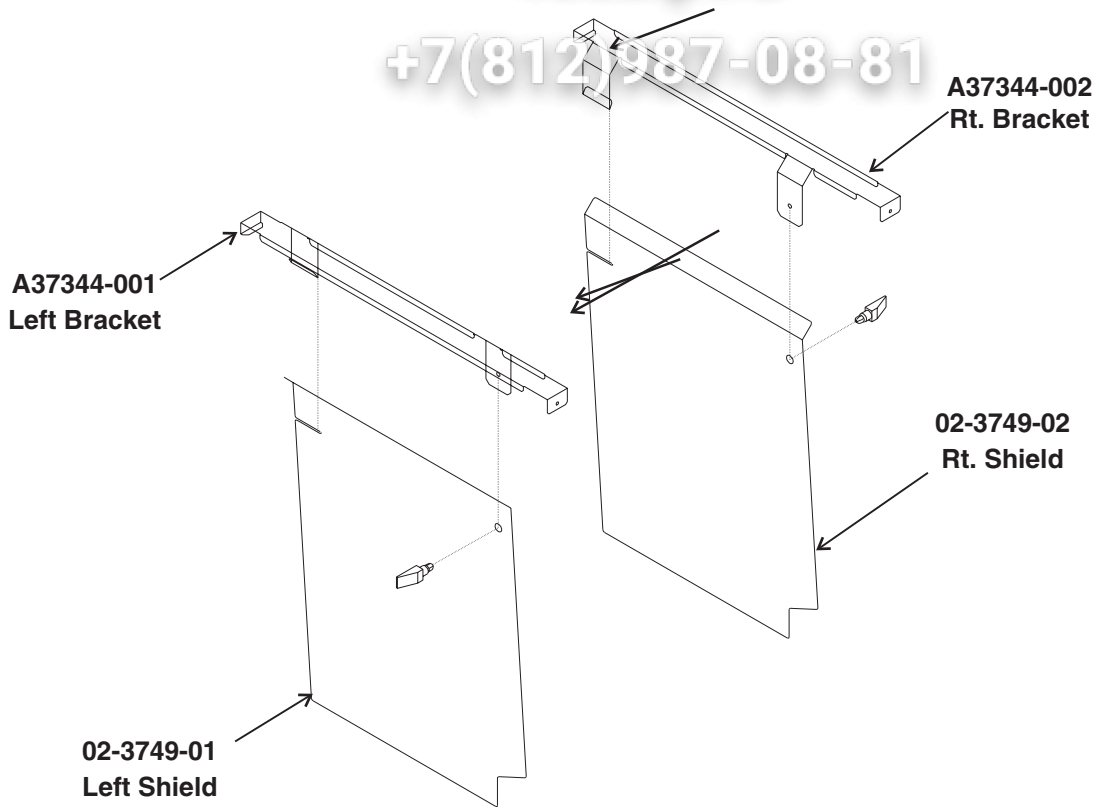
# CME1356 and CME1656 Service Parts

## Kit Parts

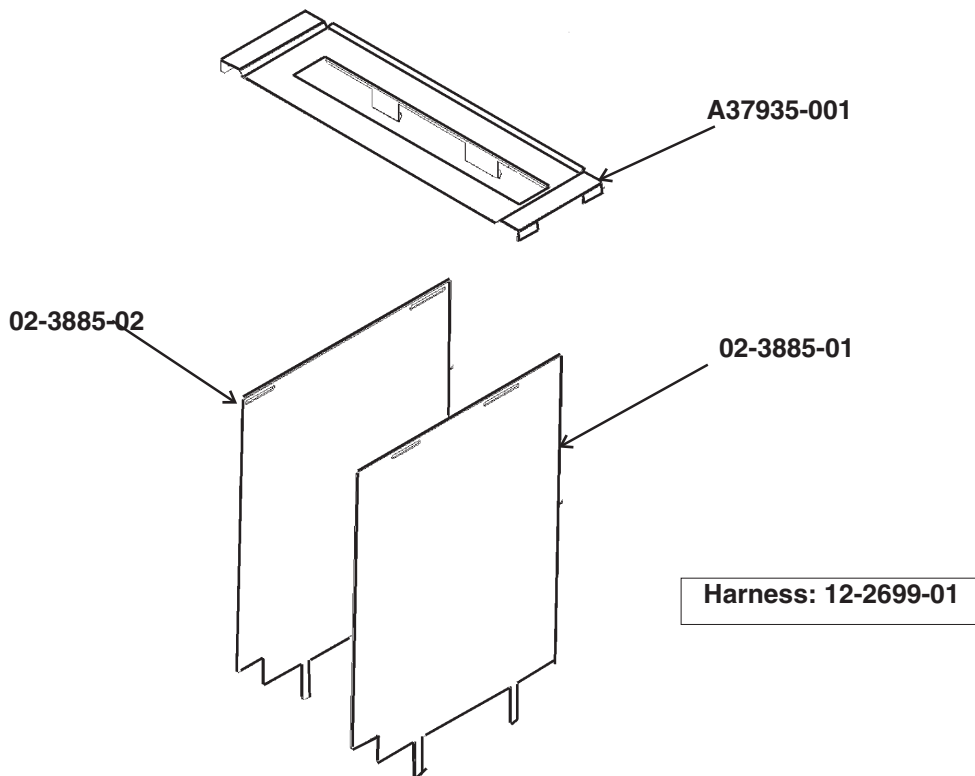
vsezip.ru

+7(812)987-08-81

Stacking Kit - KSCME6-LG



Stacking Kit KSCME6-LG-B



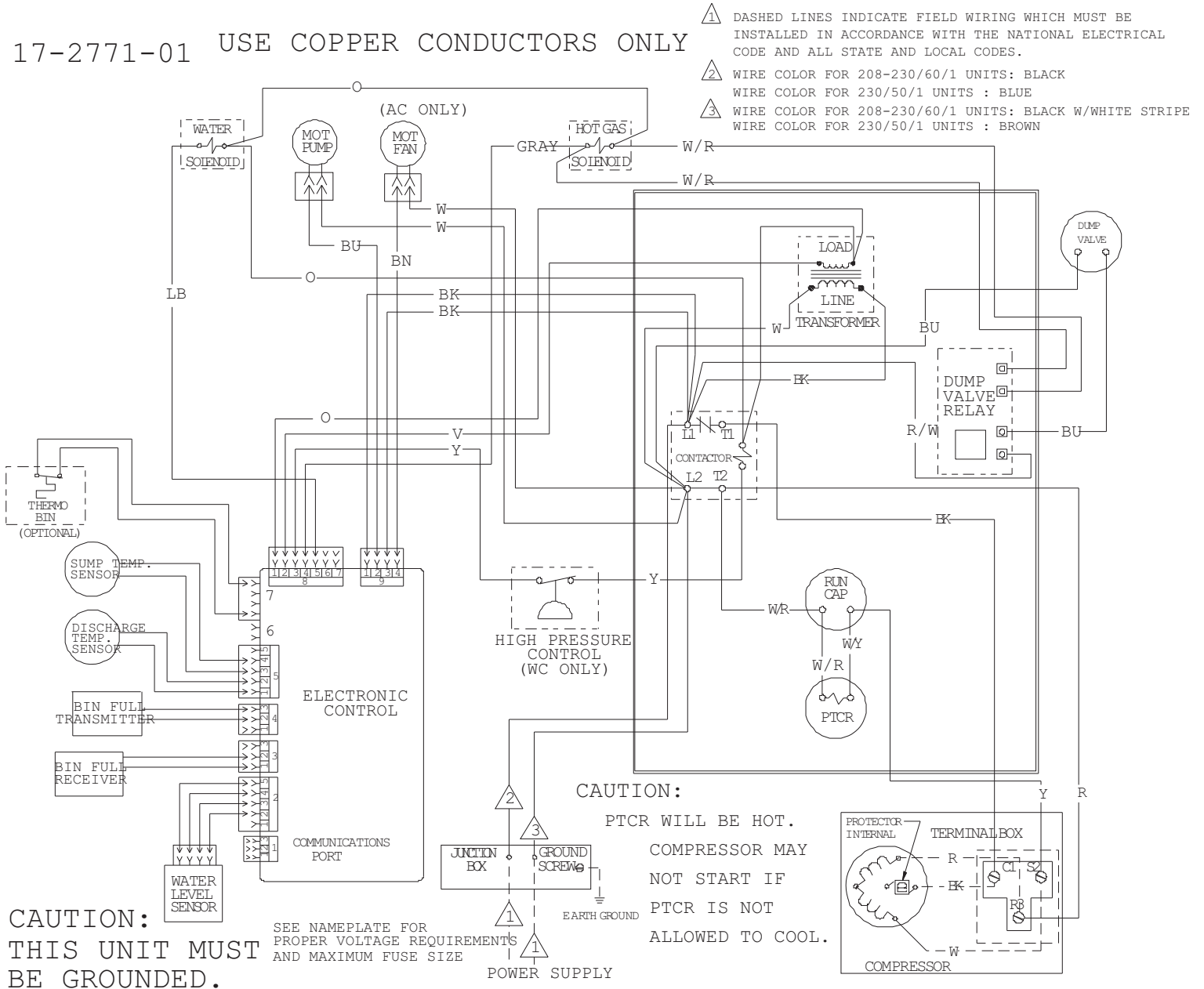
# CME1356 and CME1656 Service Parts

## Single Phase 60 Hz Wiring Diagram, D - H Series

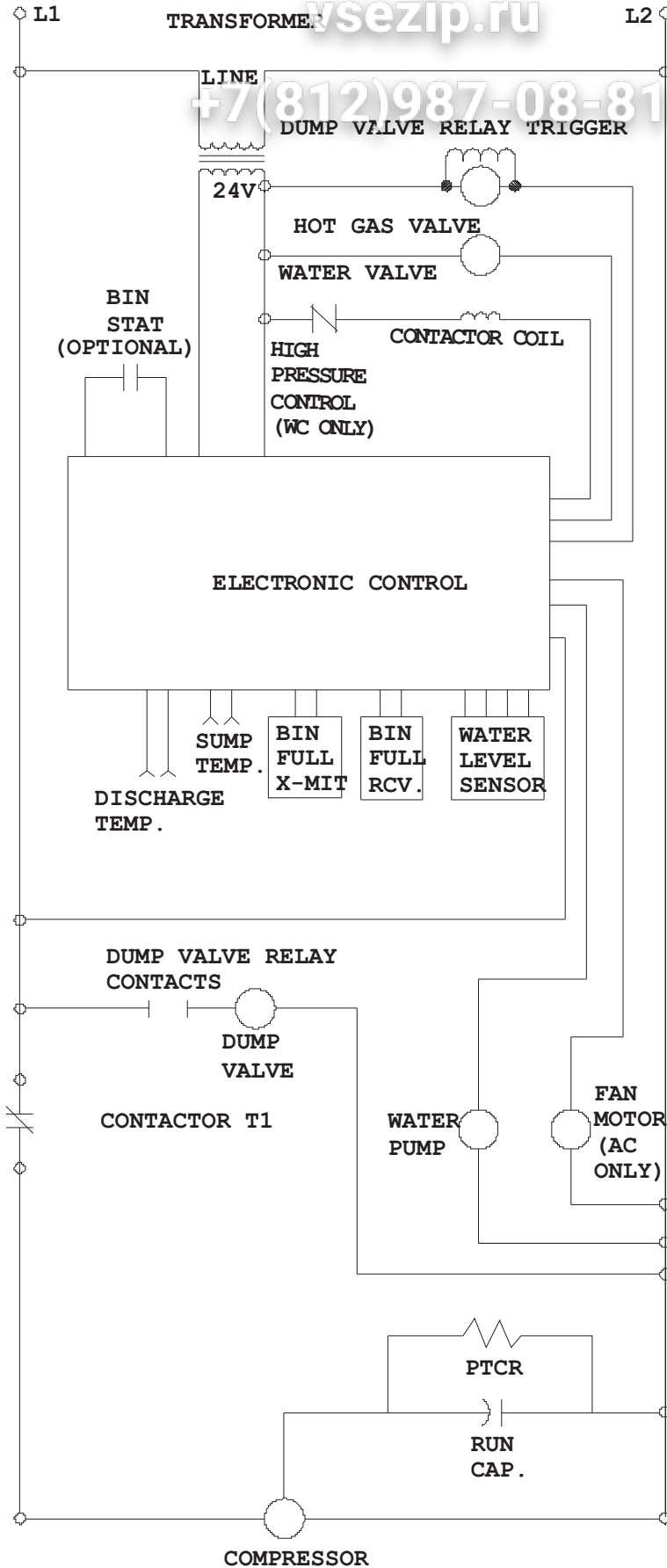
vsezip.ru

+7(812)987-08-81

17-2771-01 USE COPPER CONDUCTORS ONLY



# CME1356 and CME1656 Service Parts Single Phase Schematic Diagram, D - H Series



# CME1356 and CME1656 Service Parts

## Single Phase 60 Hz Wiring Diagram, D - H Series

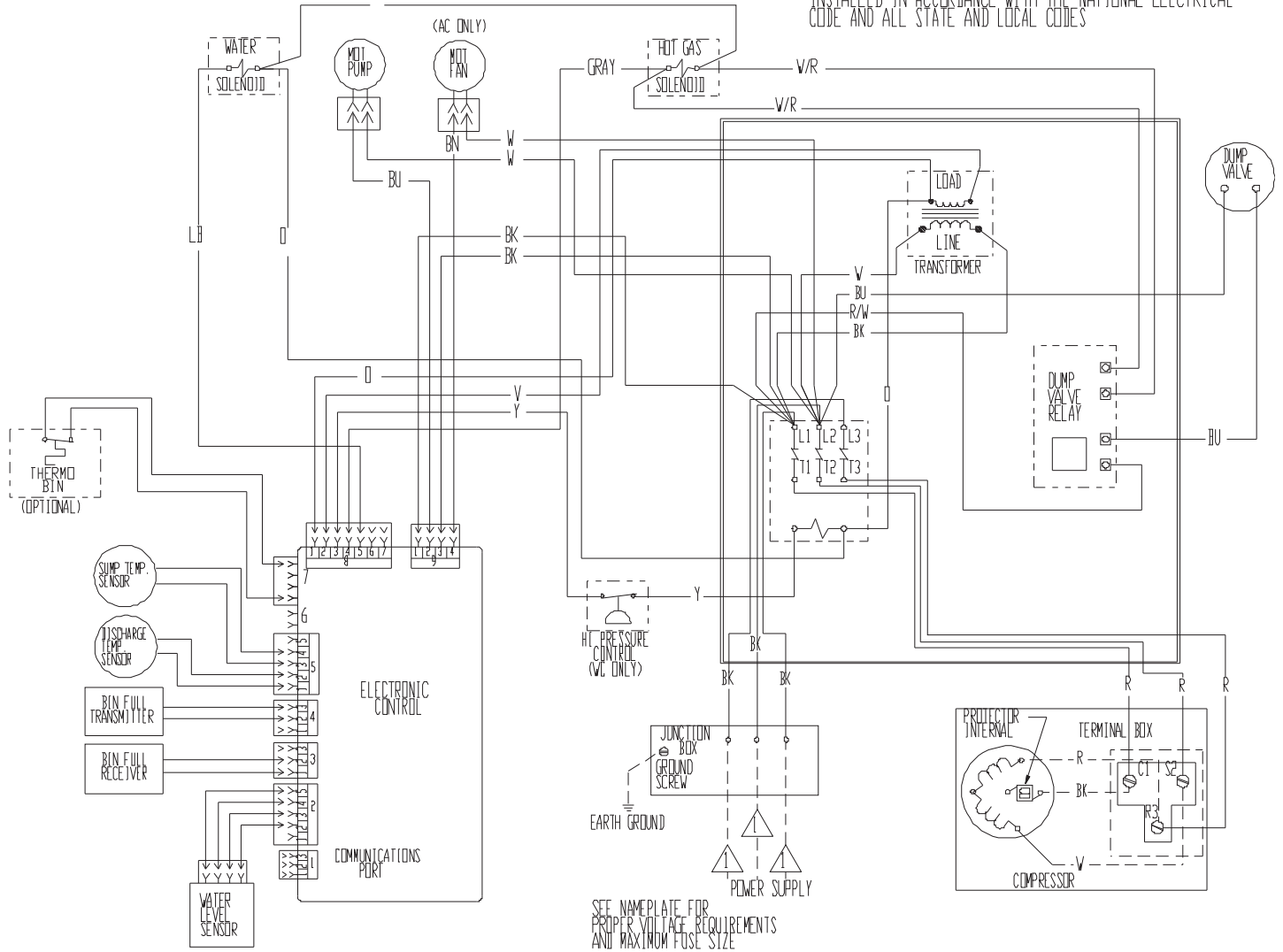
vsezip.ru

+7(812)987-08-81

17-2820-01

USE COPPER CONDUCTORS ONLY

△ DASHED LINES INDICATE FIELD WIRING WHICH MUST BE INSTALLED IN ACCORDANCE WITH THE NATIONAL ELECTRICAL CODE AND ALL STATE AND LOCAL CODES



THIS UNIT MUST BE GROUNDED.

CAUTION:

MORE THAN ONE DISCONNECT MEANS MAY BE REQUIRED TO DISCONNECT ALL POWER TO THIS UNIT.

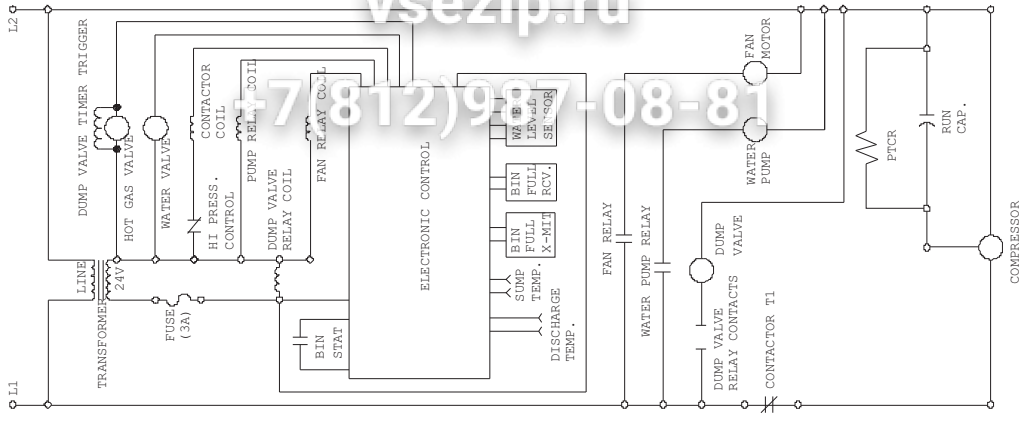
# CME1356 and CME1656 Service Parts

## Single Phase Schematic Diagram, D - H Series

vsezip.ru

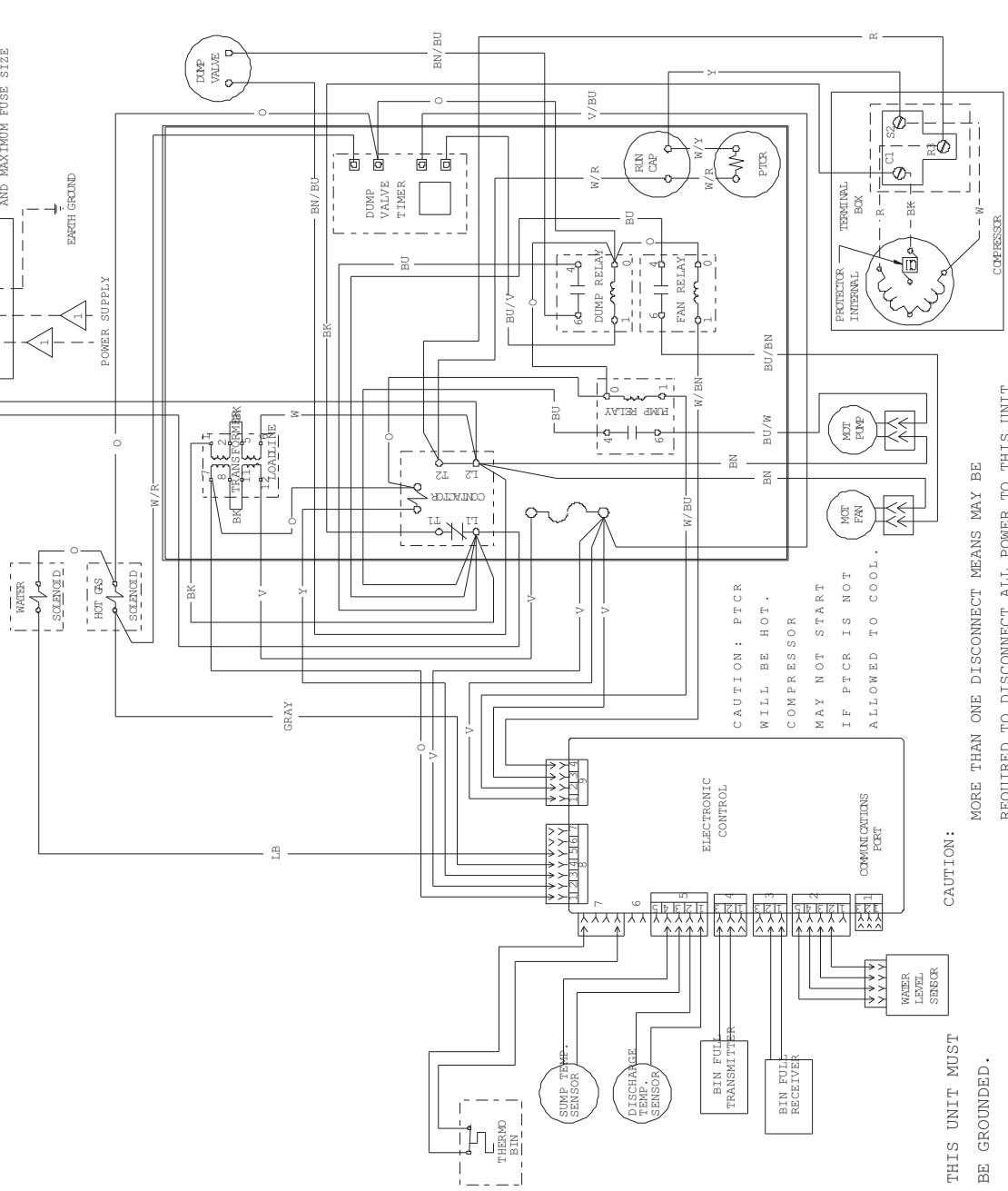
(7812)987-08-81

▲ DASHED LINES INDICATE FIELD WIRING WHICH MUST BE INSTALLED IN ACCORDANCE WITH THE NATIONAL ELECTRICAL CODE AND ALL STATE AND LOCAL CODES.



USE COPPER CONDUCTORS ONLY

17-2775-01



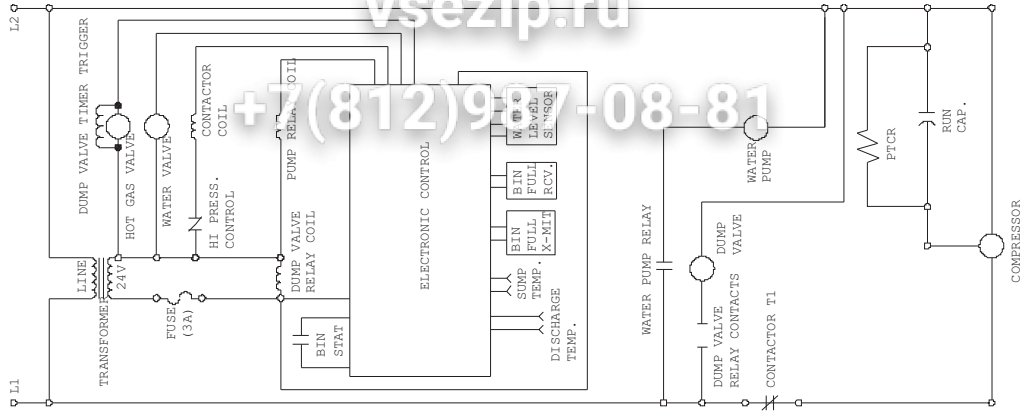
CAUTION: PTCR WILL BE HOT. COMPRESSOR MAY NOT START IF PTCR IS NOT ALLOWED TO COOL.

THIS UNIT MUST BE GROUNDED.

CAUTION: MORE THAN ONE DISCONNECT MEANS MAY BE REQUIRED TO DISCONNECT ALL POWER TO THIS UNIT.

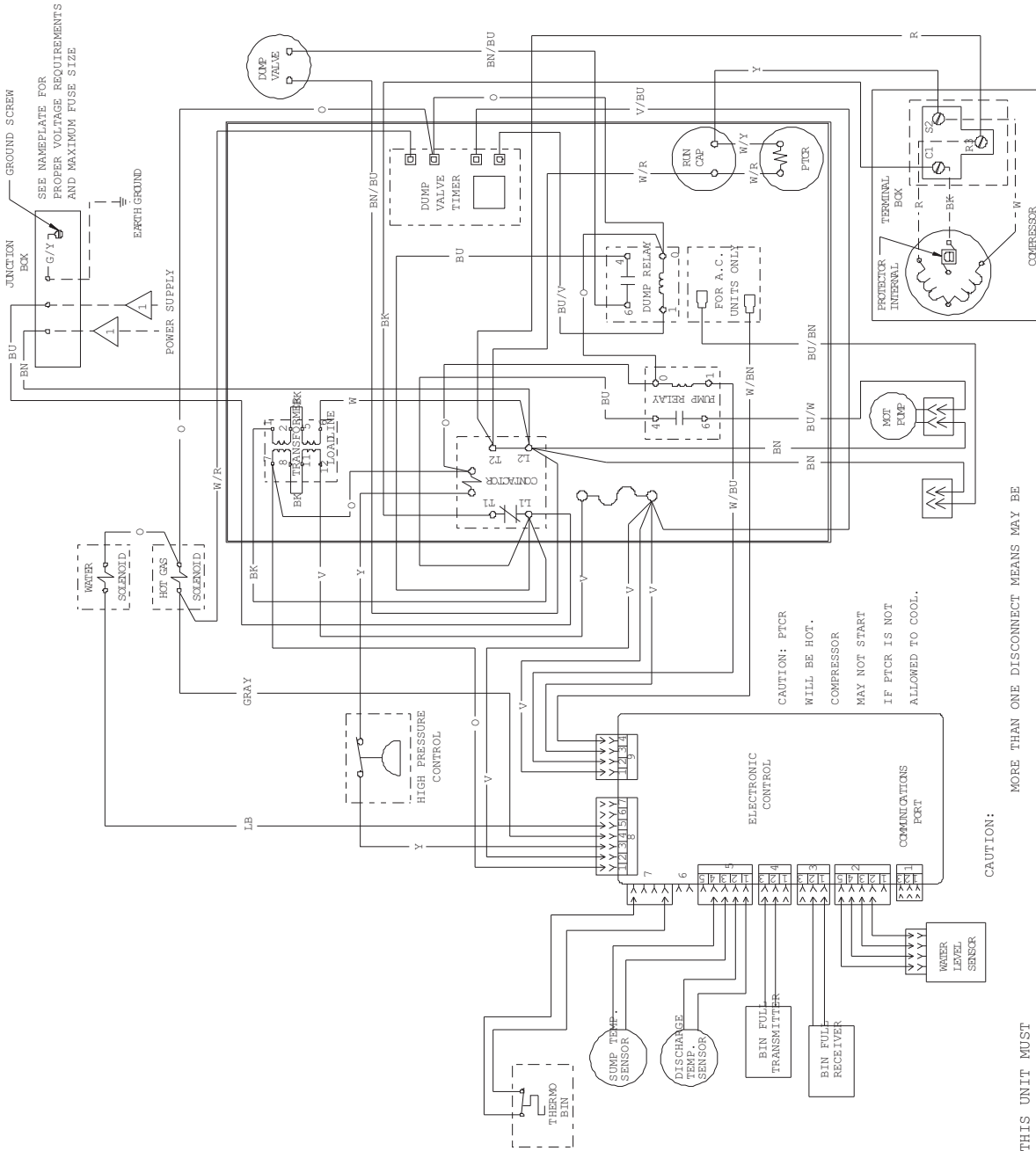
# CME1356 and CME1656 Service Parts Three Phase Wiring Diagram, D - H Series

▲ DASHED LINES INDICATE FIELD WIRING WHICH MUST BE INSTALLED IN ACCORDANCE WITH THE NATIONAL ELECTRICAL CODE AND ALL STATE AND LOCAL CODES.



USE COPPER CONDUCTORS ONLY

17-2776-01



CAUTION: PTCR WILL BE HOT. COMPRESSOR MAY NOT START IF PTCR IS NOT ALLOWED TO COOL.

THIS UNIT MUST BE GROUNDED. MORE THAN ONE DISCONNECT MEANS MAY BE REQUIRED TO DISCONNECT ALL POWER TO THIS UNIT.



# CME1356 and CME1656 Service Parts

## Single Phase 50 Hz Air Cooled Wiring Diagram, D - H Series

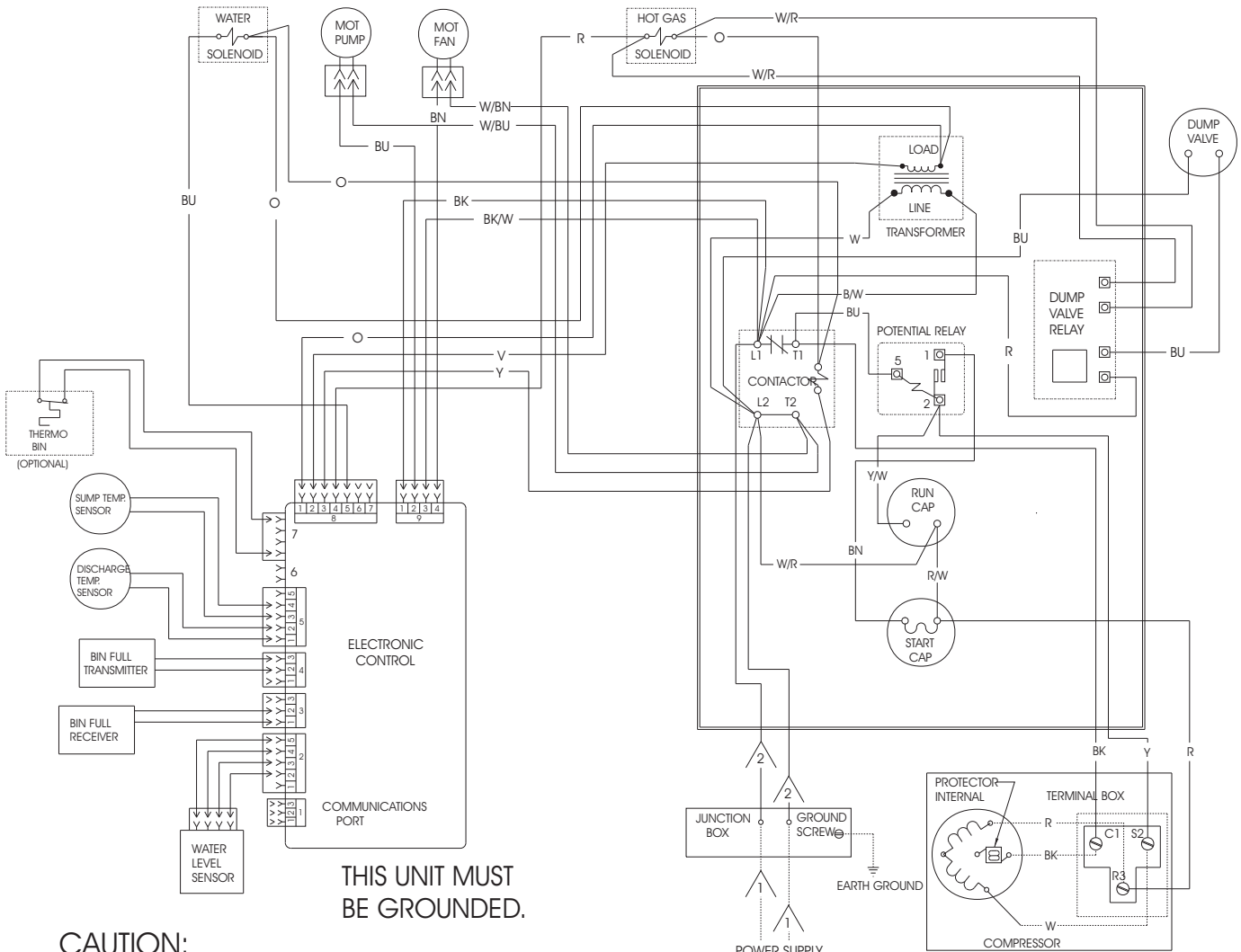
+7(812)987-08-81

17-2502-01

**USE COPPER CONDUCTORS ONLY**

⚠ DASHED LINES INDICATE FIELD WIRING WHICH MUST BE INSTALLED IN ACCORDANCE WITH THE NATIONAL ELECTRICAL CODE AND ALL STATE AND LOCAL CODES.

⚠ WIRE COLOR FOR 208-230/60/1 UNITS: BLACK  
WIRE COLOR FOR 230/50/1 UNITS : BROWN



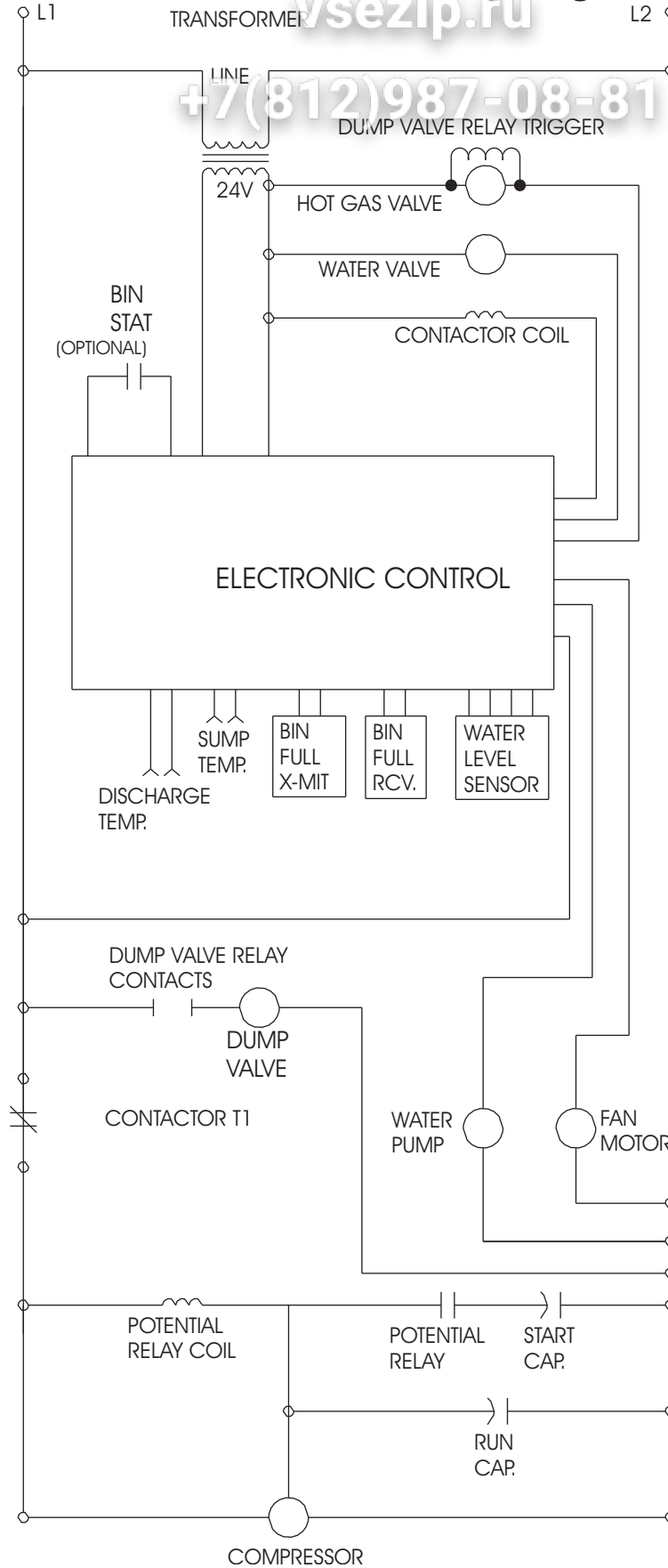
**THIS UNIT MUST BE GROUNDED.**

**CAUTION:**  
MORE THAN ONE DISCONNECT MEANS MAY BE REQUIRED TO DISCONNECT ALL POWER TO THIS UNIT.

SEE NAMEPLATE FOR PROPER VOLTAGE REQUIREMENTS AND MAXIMUM FUSE SIZE

# CME1356 and CME1656 Service Parts

## Single Phase, 50 Hz Water Cooled Wiring Diagram, D - H Series



# CME1356 and CME1656 Service Parts

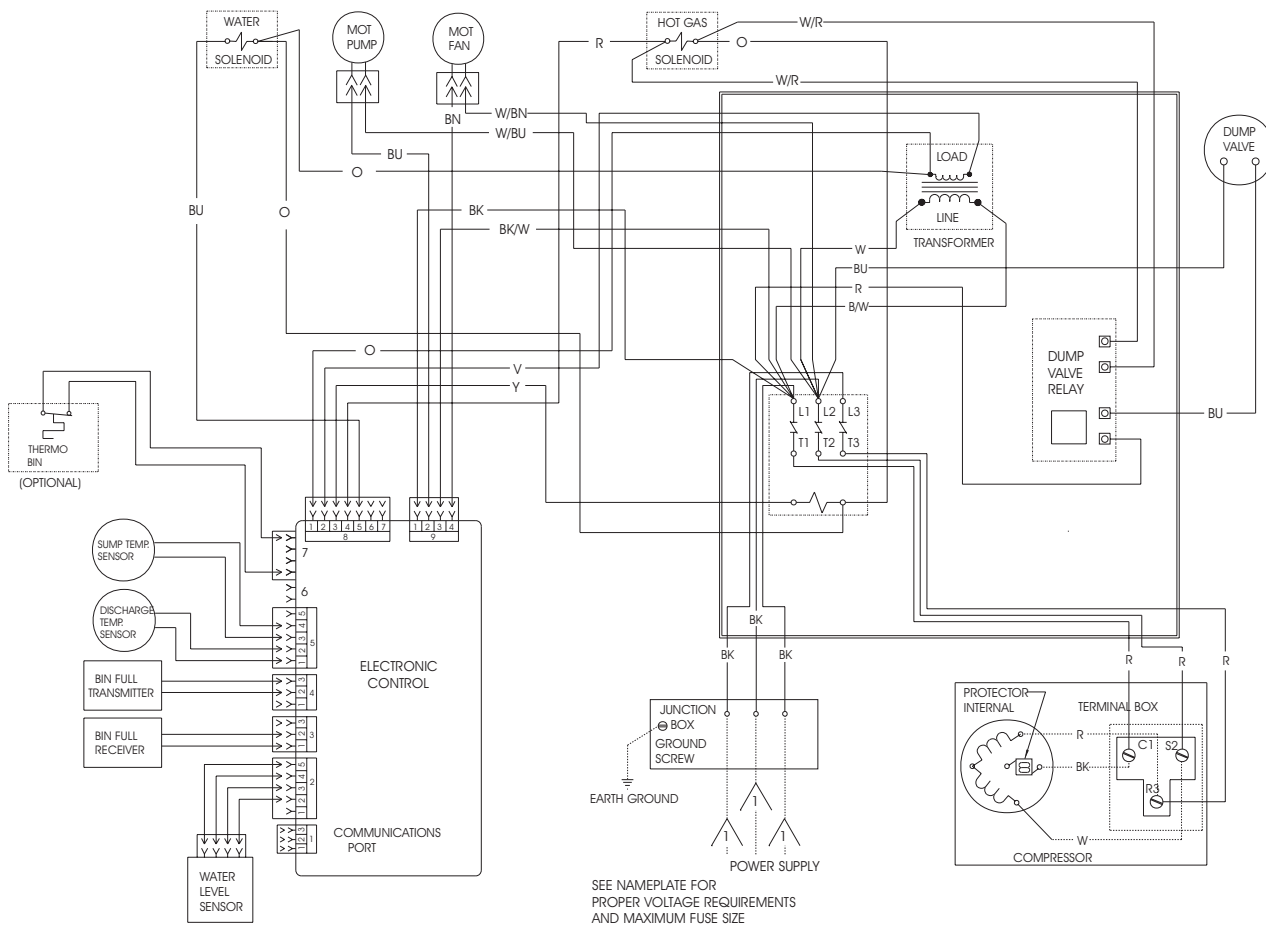
## Air Cooled Three Phase Wiring Diagram, A - C

vsezip.ru

+7(812)987-08-81

17-2511-03

USE COPPER CONDUCTORS ONLY  DASHED LINES INDICATE FIELD WIRING WHICH MUST BE INSTALLED IN ACCORDANCE WITH THE NATIONAL ELECTRICAL CODE AND ALL STATE AND LOCAL CODES.



SEE NAMEPLATE FOR PROPER VOLTAGE REQUIREMENTS AND MAXIMUM FUSE SIZE

### CAUTION:

THIS UNIT MUST BE GROUNDED.

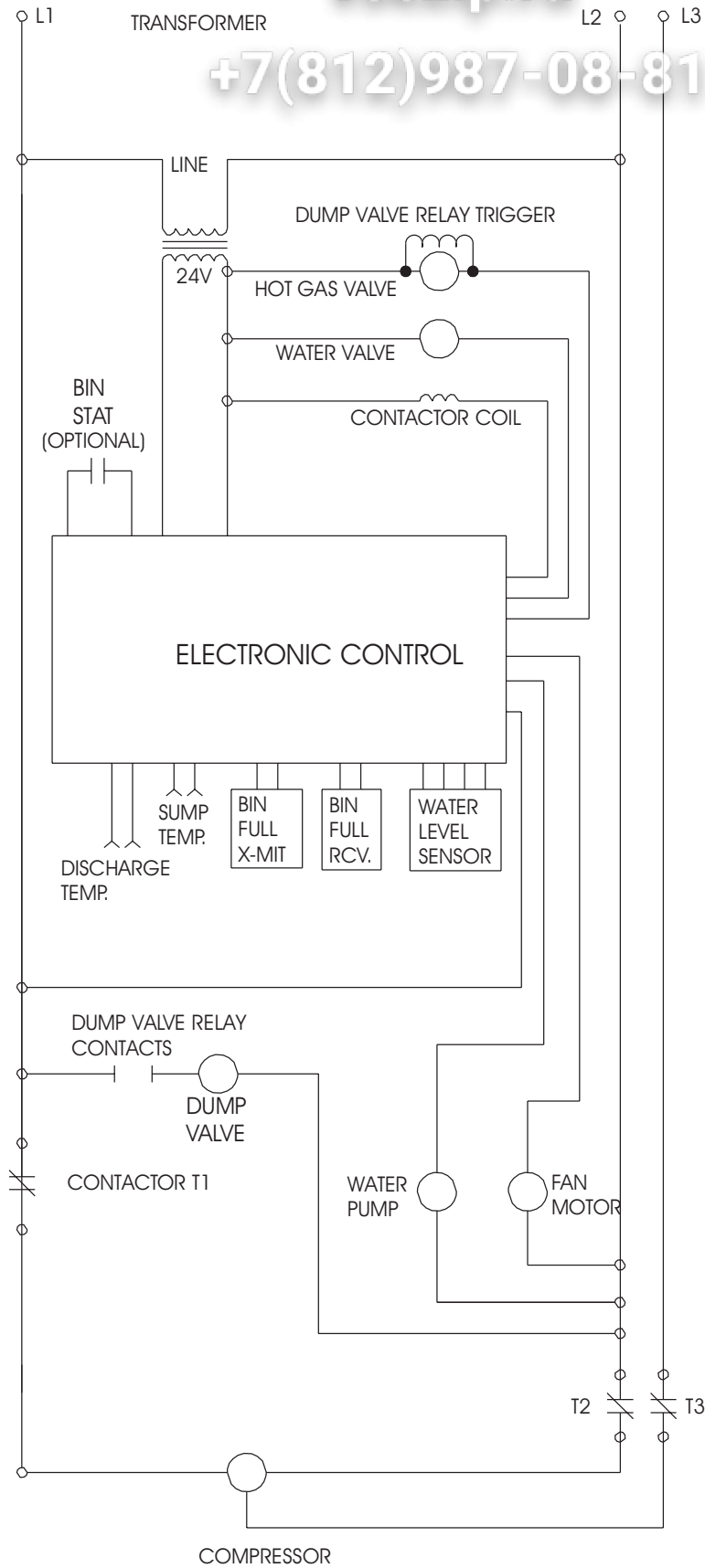
MORE THAN ONE DISCONNECT MEANS MAY BE REQUIRED TO DISCONNECT ALL POWER TO THIS UNIT.

# CME1356 and CME1656 Service Parts

## Air Cooled Three Phase Schematic Diagram

vsezip.ru

+7(812)987-08-81



# CME1356 and CME1656 Service Parts

## Water Cooled Single Phase Wiring Diagram, A - C

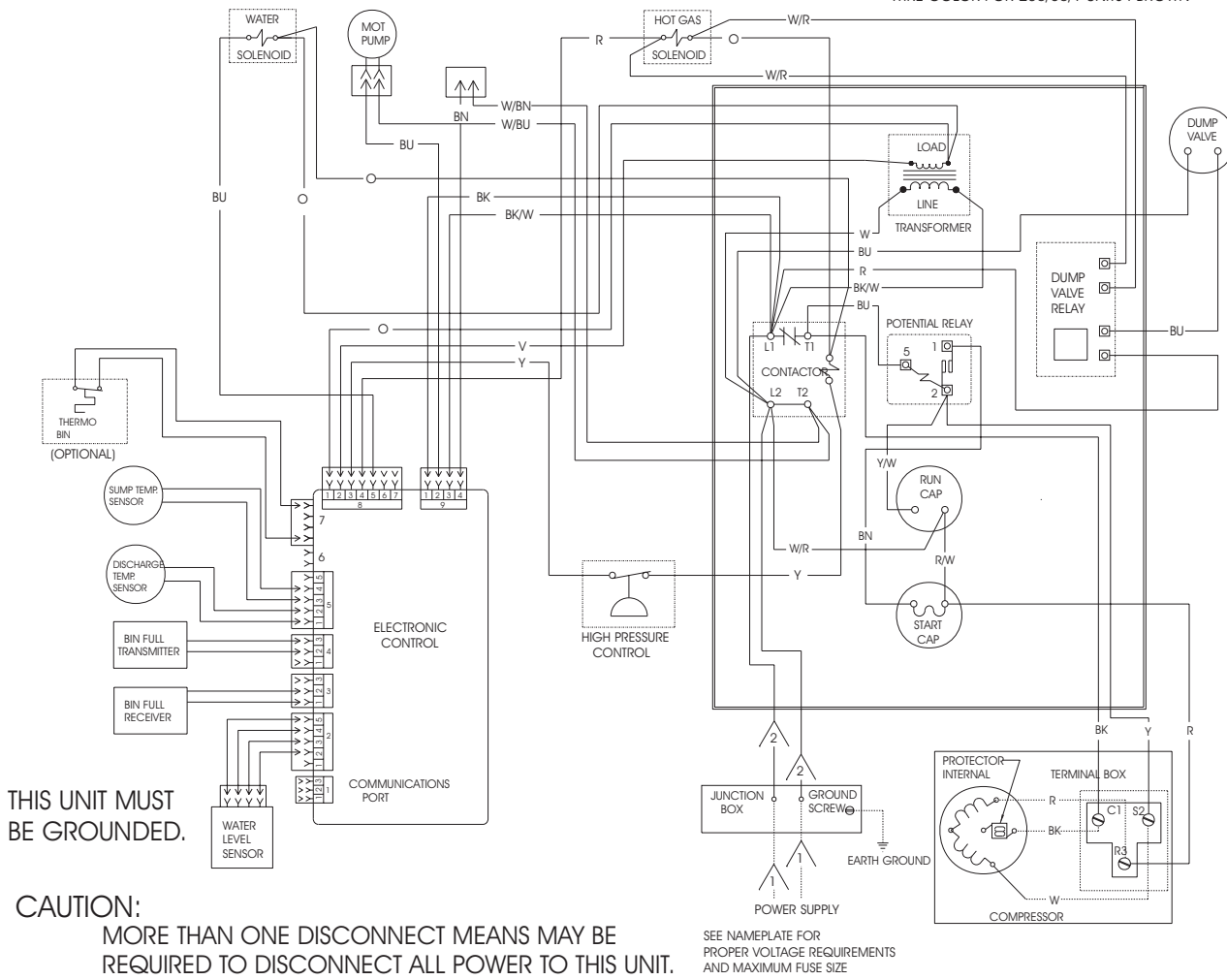
vsezip.ru

+7(812)987-08-81

17-2503-01

USE COPPER CONDUCTORS ONLY

- △ 1 DASHED LINES INDICATE FIELD WIRING WHICH MUST BE INSTALLED IN ACCORDANCE WITH THE NATIONAL ELECTRICAL CODE AND ALL STATE AND LOCAL CODES.
- △ 2 WIRE COLOR FOR 208-230/60/1 UNITS: BLACK  
WIRE COLOR FOR 230/50/1 UNITS : BROWN



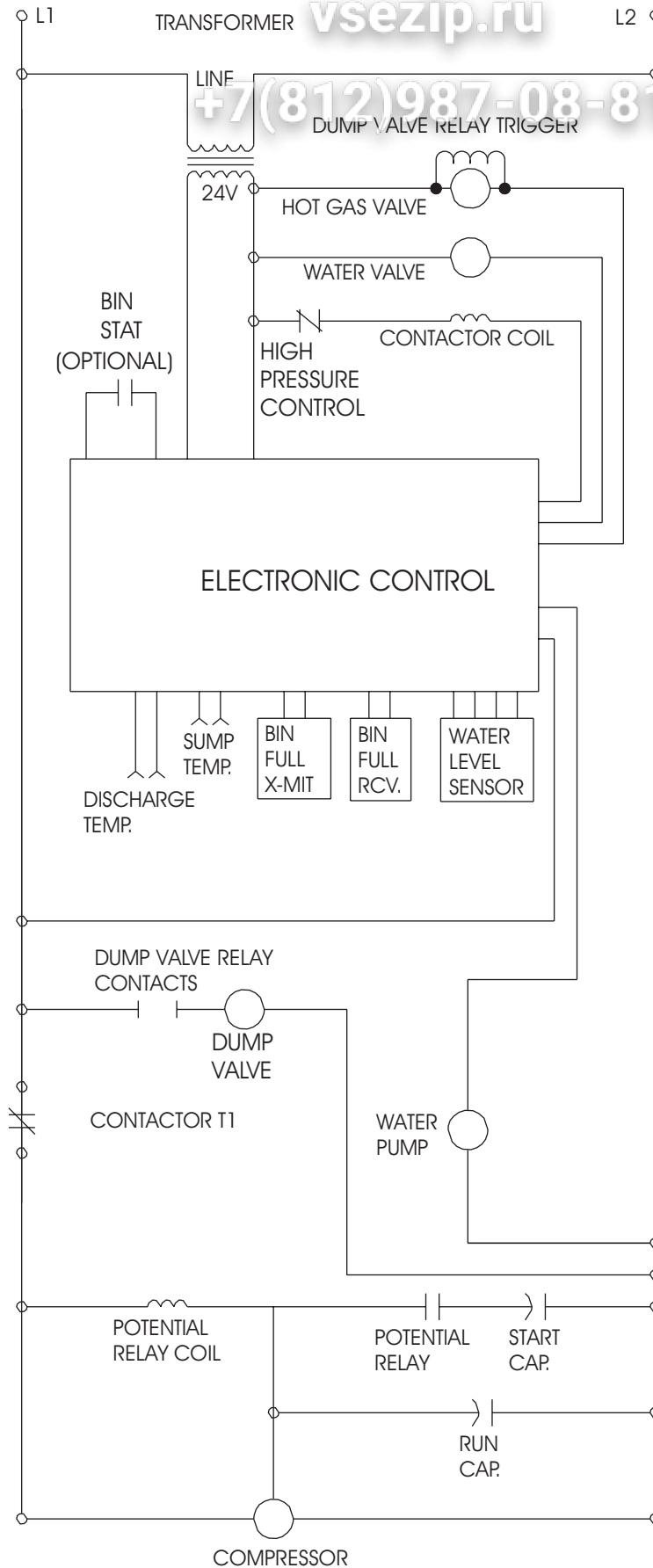
THIS UNIT MUST BE GROUNDED.

**CAUTION:**  
MORE THAN ONE DISCONNECT MEANS MAY BE REQUIRED TO DISCONNECT ALL POWER TO THIS UNIT.

SEE NAMEPLATE FOR PROPER VOLTAGE REQUIREMENTS AND MAXIMUM FUSE SIZE

# CME1356 and CME1656 Service Parts

## Water Cooled Single Phase Schematic Diagram, A - C





# CME1356 and CME1656 Service Parts

## Water Cooled Three Phase Wiring Diagram

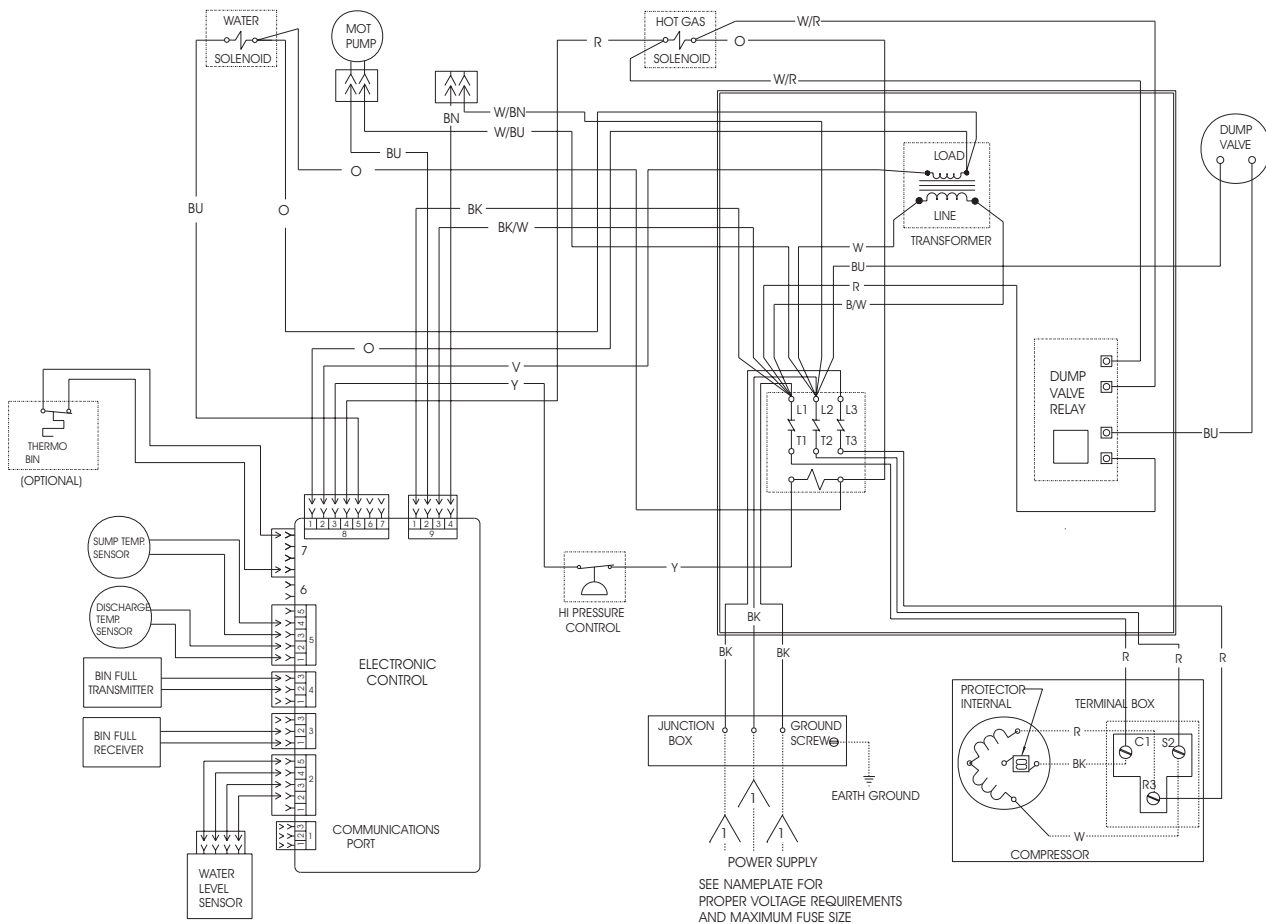
vsezip.ru

+7(812)987-08-81

17-2512-03

USE COPPER CONDUCTORS ONLY

⚠ DASHED LINES INDICATE FIELD WIRING WHICH MUST BE INSTALLED IN ACCORDANCE WITH THE NATIONAL ELECTRICAL CODE AND ALL STATE AND LOCAL CODES.



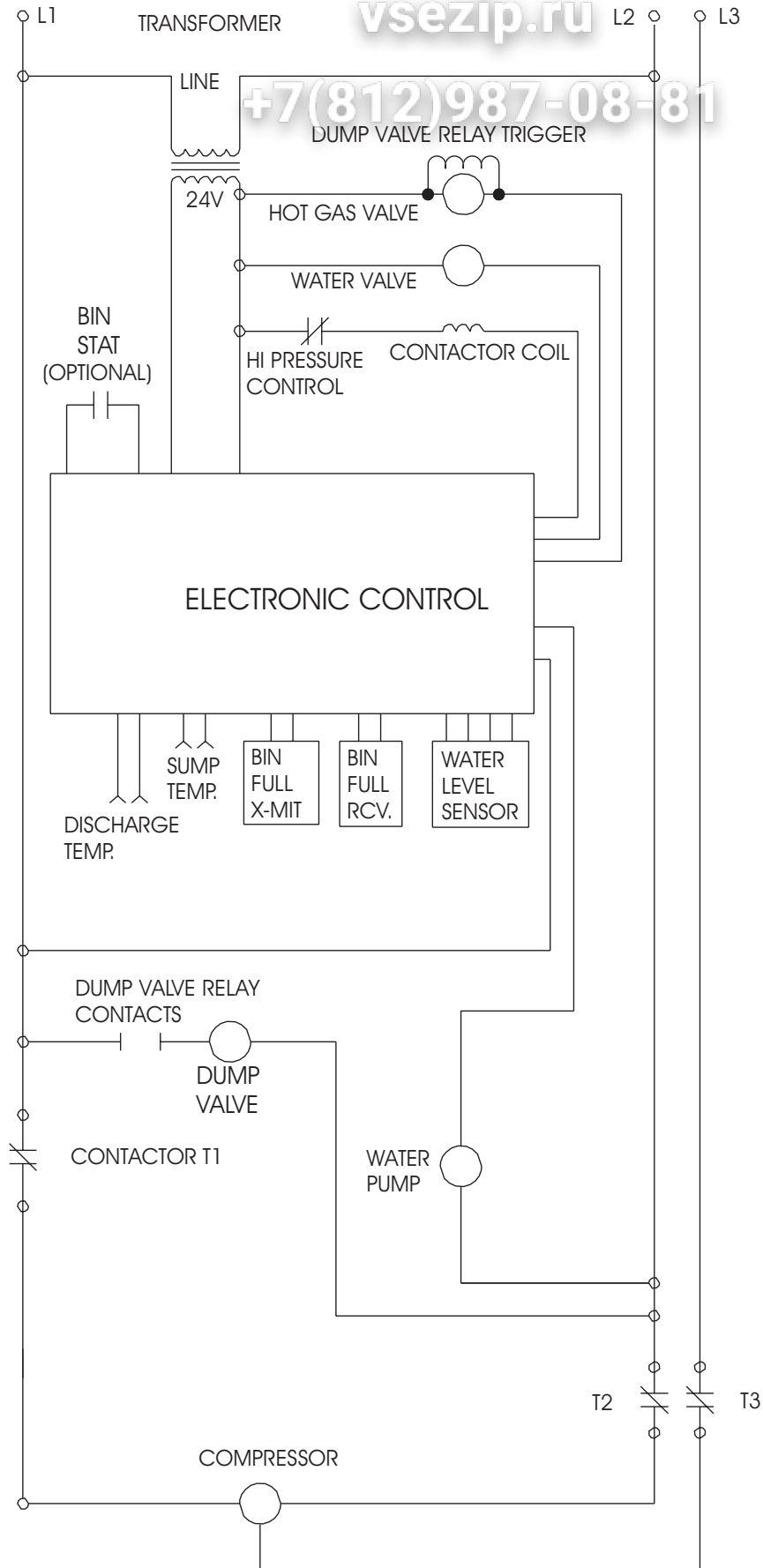
### CAUTION:

THIS UNIT MUST  
BE GROUNDED.

MORE THAN ONE DISCONNECT MEANS MAY BE  
REQUIRED TO DISCONNECT ALL POWER TO THIS UNIT.

# CME1356 and CME1656 Service Parts

## Water Cooled Three Phase Schematic Diagram





**Scotsman**<sup>®</sup>

Зип Общепит

Bulletin Number:

PS - 4 - 2004

Service Date:

April 2004

+7(812)987-08-81

# SERVICE BULLETIN

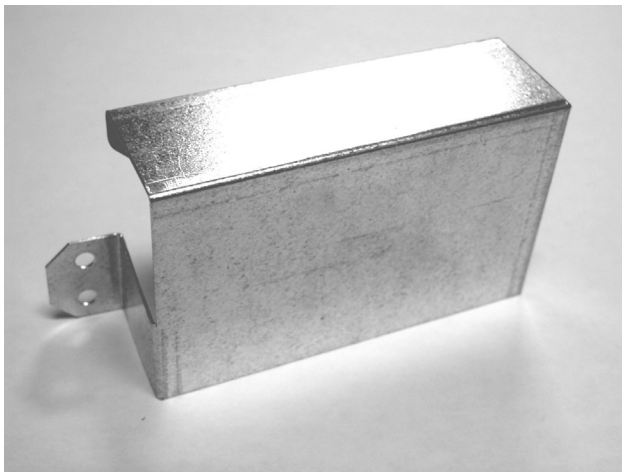
## Subject: Controller Cover

Affects all versions of models: CME1356, CME1656, CME1856 and CME2006

The above models are now manufactured with a sheet metal cover over the top of the controller.

Service controllers also are now shipped with a cover that should be applied to these models whenever replacing the controller if the machine does not already have a cover installed.

Whenever cleaning or servicing any unit, check to see whether it has a cover over the controller like the one shown below. If it does not, Scotsman recommends installing a cover. A separate part is now available for this purpose. Its part number is **A37480-021**. It mounts over the top end of the controller and is secured by two sheet metal screws. Use the cover as a template and drill two 1/8" holes for the two screws.



*Controller Cover*



*Cover Installed on Unit*

Scotsman is shipping a supply of covers to all Scotsman Distributors and listed service agencies. A supply of covers should be carried by each service person on service calls so a cover may be installed on the unit being cleaned or serviced if one is not already in place. Additional covers may be obtained free of charge from Scotsman, through the local Scotsman Distributor, as needed.