

# CME1202 & CME1402 SERVICE PARTS

This parts lists shows the service parts for the CME1402, CME1202 air cooled and the CME1402, CME1202 water cooled.

Check the model number of the machine to be certain of obtaining the correct part.

Note: These machines are built in various electrical configurations, including single phase, 3 phase and 50 Hz. Double check all electrical components to be sure of obtaining the correct part.

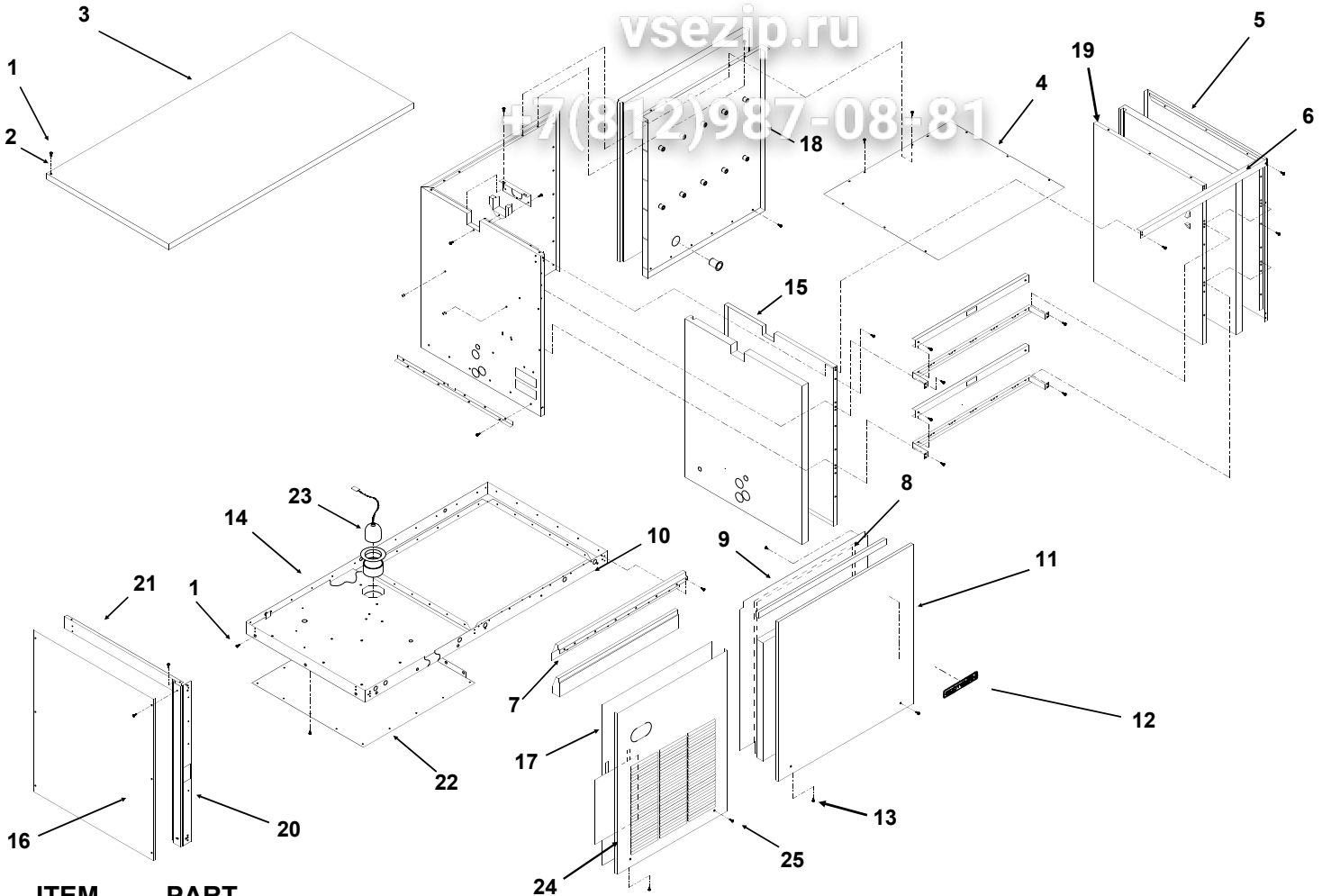
Included at the back of the parts list are the wiring diagrams.

## Table of Contents

|                                      |        |
|--------------------------------------|--------|
| Cabinet . . . . .                    | Page 2 |
| Refrigeration System . . . . .       | Page 3 |
| Air and Water Cooled Parts . . . . . | Page 4 |
| Water System . . . . .               | Page 5 |
| Control Box . . . . .                | Page 6 |
| BH900 Bin . . . . .                  | Page 7 |
| Wiring Diagrams . . . . .            | Page 8 |

# CME1202 & CME1402 SERVICE PARTS

## CABINET PARTS



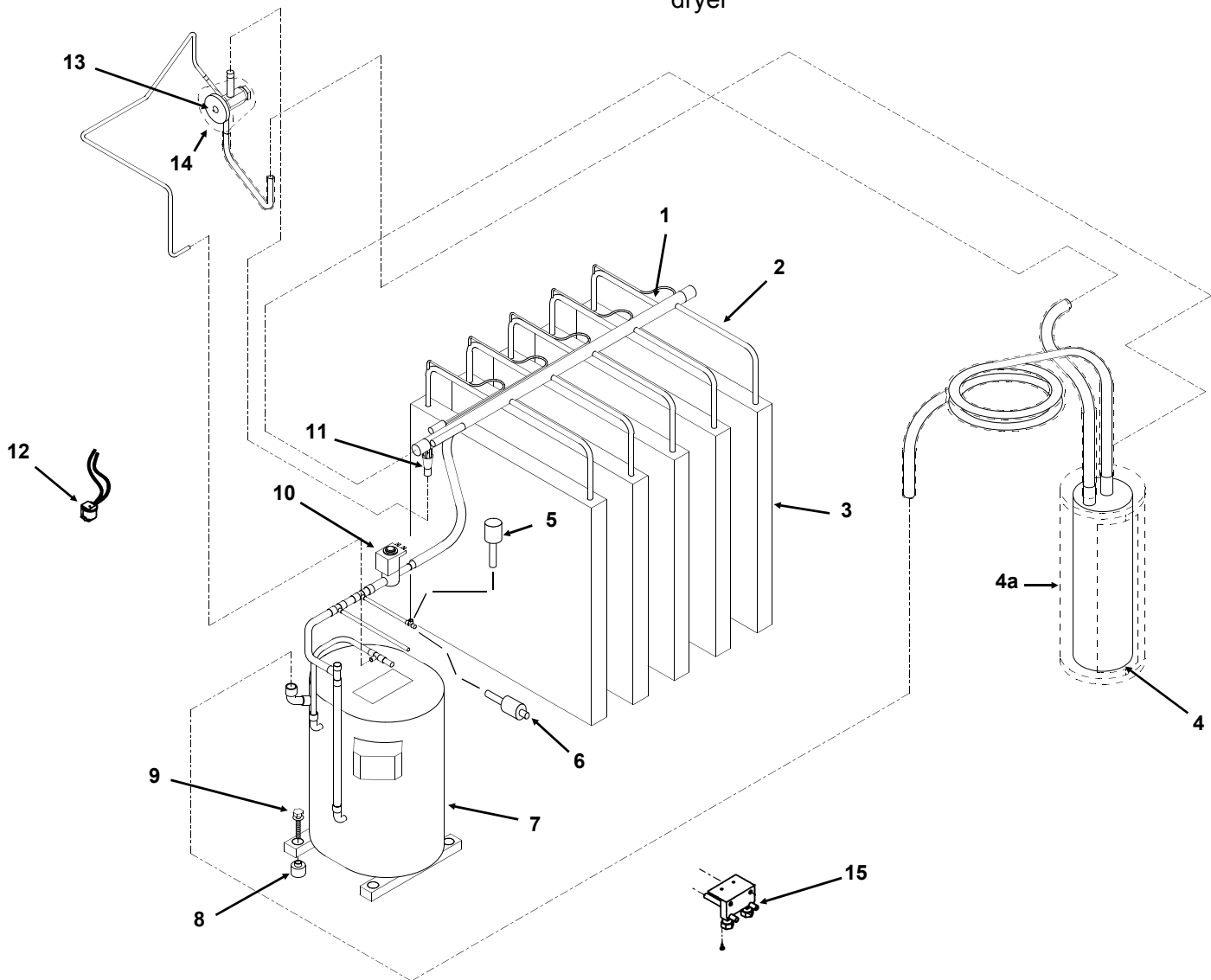
| ITEM NUMBER | PART NUMBER                                | DESCRIPTION                   | ITEM NUMBER | PART NUMBER | DESCRIPTION                 |
|-------------|--|-------------------------------|-------------|-------------|-----------------------------|
| 1           | 03-1531-01                                 | Screws                        | 13          | 03-1678-04  | Thumb screw                 |
| 2           | 03-1417-27                                 | Washers                       |             | 03-1678-03  | Screw retainer              |
| 3           | A35074-001                                 | Panel top (sandalwood)        | 14          | A35110-001  | Base assembly               |
|             | A35074-015                                 | Top panel, gray               | 15          | 02-2533-01  | Liner, left side            |
|             | A35074-002                                 | Panel top (stainless)         | 16          | A35075-001  | Left side panel, sandalwood |
| 4           | A33364-001                                 | Liner top                     |             | A35075-015  | Left side panel, gray       |
| 5           | A29164-003                                 | Right panel (sandalwood)      |             | A35075-002  | Left side panel, stainless  |
|             | A29164-015                                 | Right panel, gray             | 17          | 02-3164-01  | Air filter                  |
|             | A29164-002                                 | Right panel (stainless)       | 18          | 02-2531-01  | Liner back                  |
| 6           | A30330-001                                 | Brace front                   | 19          | 02-2534-01  | Right side liner            |
| 7           | 02-2532-01                                 | Liner cap                     | 20          | A35069-001  | Corner post                 |
| 8           | 13-0595-00                                 | Gasket (order per foot)       | 21          | A35066-001  | Brace                       |
| 9           | 02-2795-01                                 | Liner, front panel            | 22          | 02-3151-01  | Plastic cover               |
| 10          | 03-1678-01                                 | Speed clip                    | 23          | A34908-021  | Transducer                  |
| 11          | A35401-022                                 | Right front panel, stainless  | 24          | A35400-001  | Left frnt pnl, sandalwood   |
|             | A35401-021                                 | Right front panel, sandalwood |             | A35400-015  | Left front panel, gray      |
|             | A35401-024                                 | Right front panel, gray       |             | A35400-002  | Left frnt pnl, stainless    |
|             | Front panels include insulation and liner. |                               | 25          | 03-1678-02  | Panel screw                 |
| 12          | 02-3252-01                                 | Plastic bumper                |             | 03-1678-03  | Screw retainer              |
|             | 15-0711-01                                 | Emblem for sandalwood         |             | 02-3252-01  | Plastic bumper              |
|             | 15-0808-03                                 | Grey emblem for SS or gray    |             |             |                             |

# CME1202 & CME1402 SERVICE PARTS

## REFRIGERATION SYSTEM

| ITEM NUMBER | PART NUMBER | DESCRIPTION                     | ITEM NUMBER | PART NUMBER | DESCRIPTION           |
|-------------|-------------|---------------------------------|-------------|-------------|-----------------------|
| 1           | 16-0888-01  | Defrost manifold assembly       | 8           | 18-2200-28  | Grommet               |
| 2           | 16-0887-01  | Evaporator suction assembly     | 9           | 03-1405-20  | Screw                 |
| 3           | A30296-020  | Evaporator plate                | 10          | 03-1407-07  | Washer                |
| 4           | 16-0883-20  | Accumulator                     | 11          | 18-2200-27  | Sleeve                |
| 4a          | no number   | 1/2" armafex insulation         | 12          | 11-0495-21  | Hot gas valve         |
| 5           | 11-0479-21  | Fan control                     | 13          | 16-0885-01  | Distributor and tubes |
| 6           | 11-0485-22  | Hi press cut out, Air Cooled    | 14          | 12-2300-07  | Hi temp cut out       |
| 7           | 11-0486-21  | Hi press. cut out, Water cooled | 15          | 16-0882-21  | TXV for all but 50 Hz |
|             |             | Compressors*                    |             | 16-0882-21  | TXV for 1202 50 Hz    |
| 18-8750-22  | CME1202     | 60 Hz, single phase             | 14          | 02-3396-01  | Insulation            |
| 18-8750-24  | CME1202     | 60 Hz, 3 phase                  | 15          | 16-0832-20  | Access valve          |
| 18-8751-23  | CME1402     | 60 Hz, single phase             |             | 16-0832-02  | Stem cap              |
| 18-8751-25  | CME1402     | 60 Hz, 3 phase                  |             | 16-0832-03  | Core or port cap      |
| 18-8750-27  | CME1202     | 50 Hz, single phase             |             | 13-0617-51  | O-ring                |

\* Replacement compressors include a crankcase heater, not used on this model. It may be used or disconnected when installed. They also include a dryer



# CME1202 & CME1402 SERVICE PARTS

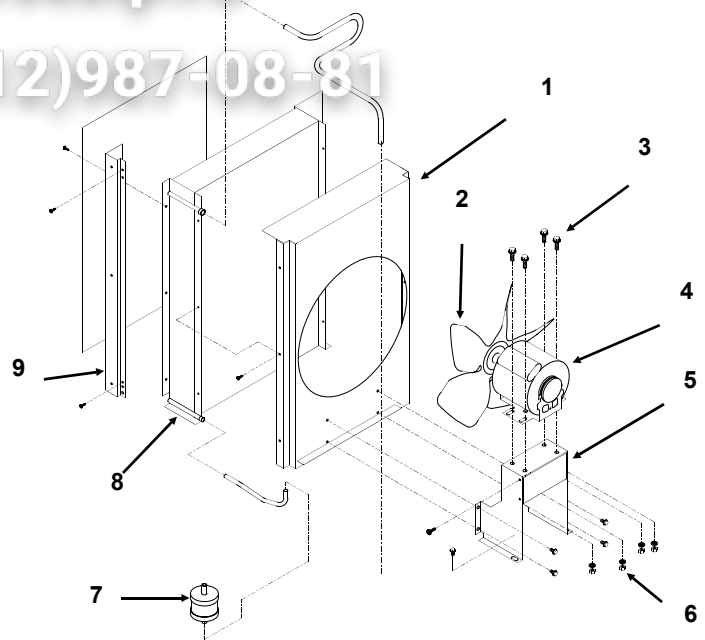
## CONDENSING ASSEMBLIES

vsezip.ru

+7(812)987-08-81

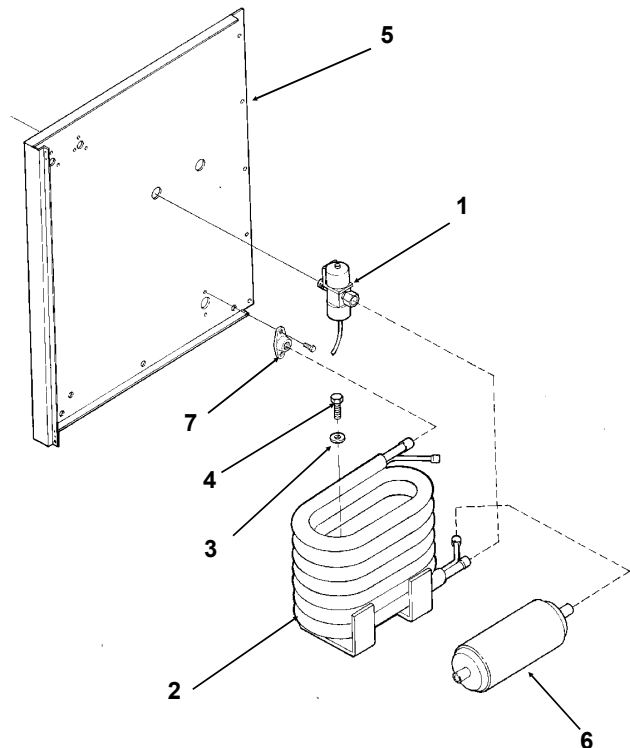
### AIR COOLED MODELS

| ITEM NUMBER | PART NUMBER | DESCRIPTION |
|-------------|-------------|-------------|
| 1           | A36227-001  | Fan shroud  |
| 2           | 18-8765-01  | Fan blade   |
| 3           | 03-1251-01  | Hex bolt    |
| 4           | 18-8764-01  | Fan motor   |
| 5           | A36397-001  | Fan bracket |
| 6           | 03-1406-10  | Hex nut     |
| 7           | 02-3319-02  | Dryer       |
| 8           | 18-8754-01  | Condenser   |
| 9           | A35069-001  | Corner post |



### WATER COOLED MODELS

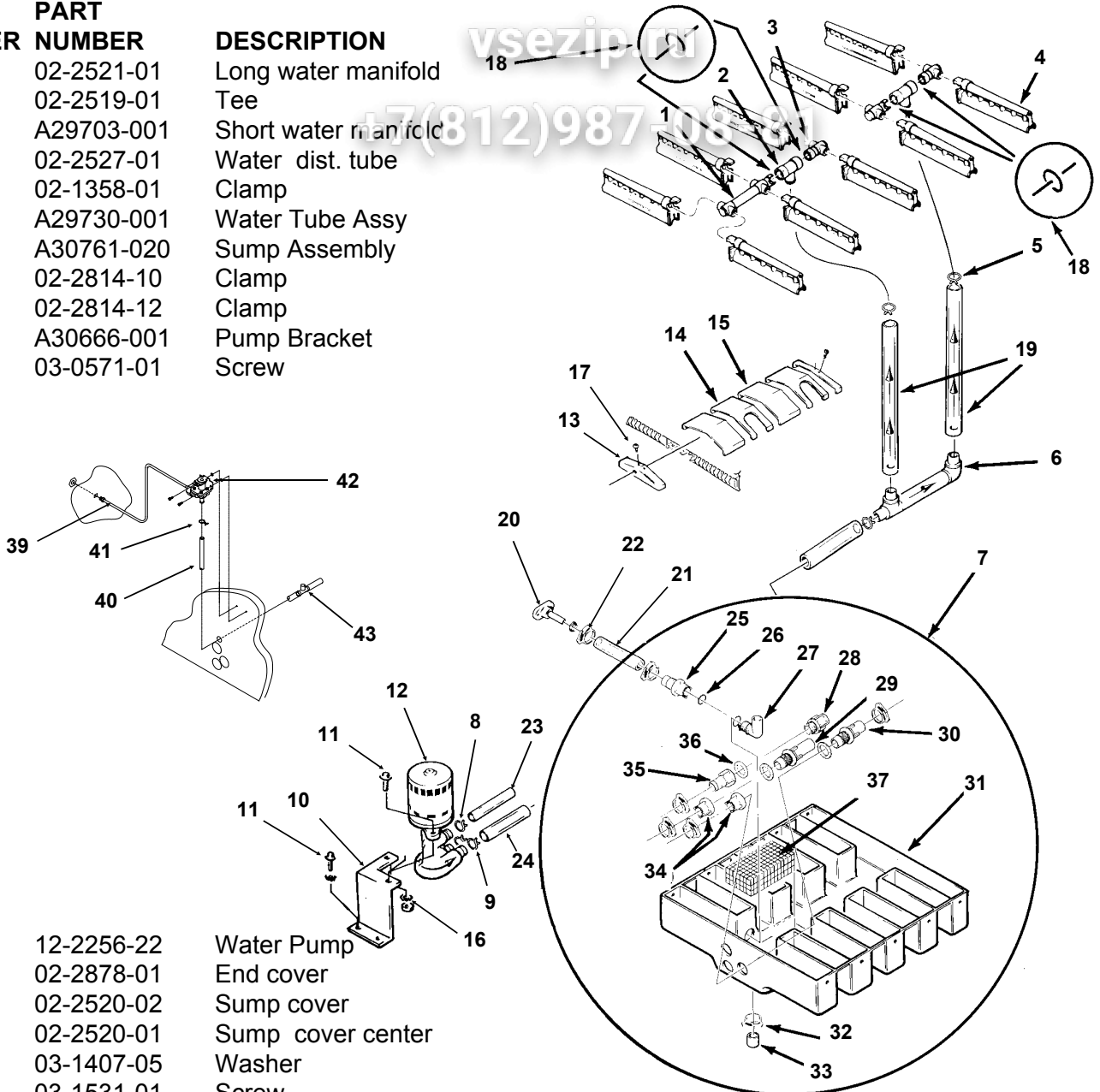
| ITEM NUMBER | PART NUMBER | DESCRIPTION             |
|-------------|-------------|-------------------------|
| 1           | 11-0478-01  | Water Regulator Valve   |
| 2           | 18-8767-25  | Condenser, Water Cooled |
| 3           | 03-1407-05  | Washer                  |
| 4           | 03-0571-01  | Screw                   |
| 5           | A36206-001  | Left back panel         |
| 6           | 02-2628-02  | Receiver                |
| 7           | A31828-001  | Drain casting           |



# CME1202 & CME1402 SERVICE PARTS

## WATER SYSTEM

| ITEM NUMBER | PART NUMBER | DESCRIPTION          |
|-------------|-------------|----------------------|
| 1           | 02-2521-01  | Long water manifold  |
| 2           | 02-2519-01  | Tee                  |
| 3           | A29703-001  | Short water manifold |
| 4           | 02-2527-01  | Water dist. tube     |
| 5           | 02-1358-01  | Clamp                |
| 6           | A29730-001  | Water Tube Assy      |
| 7           | A30761-020  | Sump Assembly        |
| 8           | 02-2814-10  | Clamp                |
| 9           | 02-2814-12  | Clamp                |
| 10          | A30666-001  | Pump Bracket         |
| 11          | 03-0571-01  | Screw                |



|    |            |                   |
|----|------------|-------------------|
| 12 | 12-2256-22 | Water Pump        |
| 13 | 02-2878-01 | End cover         |
| 14 | 02-2520-02 | Sump cover        |
| 15 | 02-2520-01 | Sump cover center |
| 16 | 03-1407-05 | Washer            |
| 17 | 03-1531-01 | Screw             |
| 18 | 13-0617-48 | O-ring            |
| 19 | 13-0674-07 | Hose (18.5")      |
| 20 | A31757-002 | Drain             |
| 21 | 13-0674-07 | Tube, drain (7")  |
| 22 | 02-1358-01 | Hose clamp        |
| 23 | 13-0674-07 | Tube, need 6.25"  |
| 24 | 13-0674-08 | Tube, need 6.6"   |
| 25 | 02-2606-01 | Female tube       |
| 26 | 13-0617-02 | O-ring            |
| 27 | 02-2125-01 | Elbow             |
| 28 | 02-2080-01 | Overflow          |
| 29 | 02-2792-01 | Pick Up tube      |

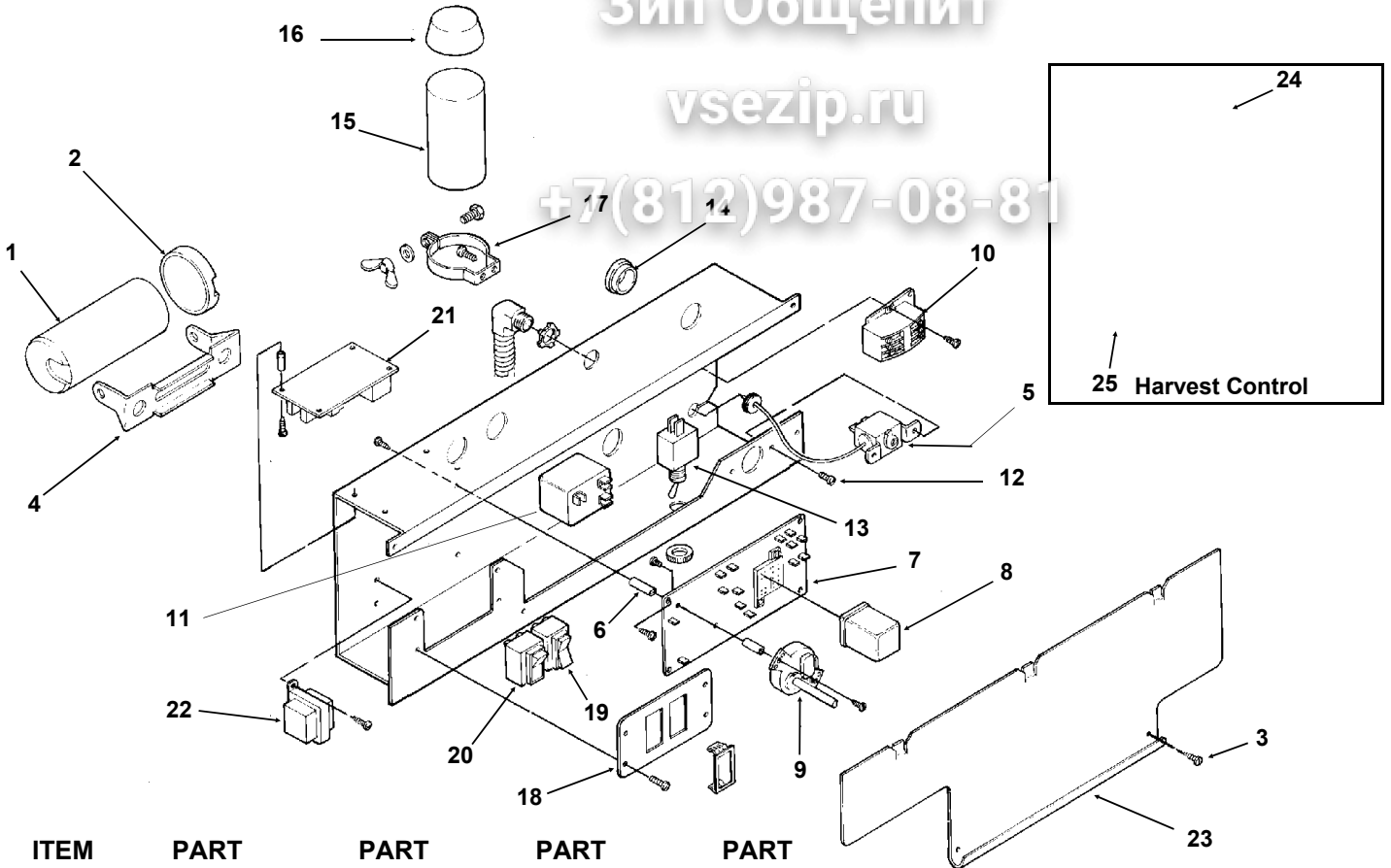
|    |            |                       |
|----|------------|-----------------------|
| 30 | 02-2793-01 | Inlet tube            |
| 31 | no number  | sump pan (see item 7) |
| 32 | 02-1530-01 | Clamp                 |
| 33 | 13-0796-01 | Rubber cap            |
| 34 | 02-2791-01 | Water inlet nut       |
| 35 | 02-2606-01 | Female tube           |
| 36 | 13-0617-02 | O-ring                |
| 37 | A30760-001 | Screen                |
| 39 | A35119-001 | Water inlet assy.     |
| 40 | 13-0674-03 | Tygon tube, 25" req.  |
| 41 | 02-2814-05 | Hose clamp            |
| 42 | 12-2446-26 | Inlet water valve     |
| 43 | 16-0670-02 | Tee                   |

# CME1202 & CME1402 SERVICE PARTS

ЗИП ОБЩЕПИТ

vsezip.ru

+7(812)987-08-81



| ITEM NUMBER | PART NUMBER | PART NUMBER  | PART NUMBER  | PART NUMBER  | DESCRIPTION                             |
|-------------|-------------|--------------|--------------|--------------|---|
|             | 3 phase     | single phase | single phase | single phase |   |
|             |             | 1202 60 Hz   | 1402         | 1202 50 Hz   |   |
| 1           | -           | 18-1901-48   | 18-1901-27   | same         | Start Capacitor                         |
| 2           | -           | A35328-001   | same         | same         | Start Cap. Cap                          |
| 3           | -           | 03-1638-03   | same         | same         | Screw                                   |
| 4           | -           | 18-2200-39   | same         | same         | Start cap. bracket                      |
| 5           | 11-0351-22  | same         | same         | same         | Cube Size Control                       |
| 6           | 02-2242-02  | same         | same         | same         | Stand off                               |
| 7           | 12-1912-01  | same         | same         | same         | Circuit board                           |
| 8           | 12-1879-03  | same         | same         | same         | Relay                                   |
| 9           | 12-2628-22  | same         | same         | 12-2628-26   | Timer & Switch                          |
| 10          | 12-0739-02  | 12-2469-02   | same         | same         | Contactor                               |
| 11          | -           | 18-1903-46   | same         | same         | Potential Relay                         |
| 12          | 03-1403-17  | same         | same         | same         | Screw                                   |
| 13          | 12-0426-01  | same         | same         | same         | Comp. Switch                            |
| 14          | -           | 12-1213-12   | same         | same         | Snap busing                             |
| 15          | -           | 18-1902-55   | 18-1902-56   | 18-1902-57   | Run capacitor                           |
| 16          | -           | 13-0666-00   | same         | same         | Terminal cover                          |
| 17          | -           | A32872-001   | same         | same         | Run Cap Bracket                         |
| 18          | 02-3173-01  | same         | same         | same         | Switch plate                            |
| 19          | 12-2414-01  | same         | same         | same         | Wash- Off - Ice switch                  |
| 20          | 12-2411-01  | same         | same         | same         | Bin ice level switch                    |
|             | 12-2402-01  | same         | same         | same         | Wire harness, bin level switch to board |
| 21          | 12-2376-21  | same         | same         | same         | Ice level control circuit board         |
| 22          | 12-2285-22  | same         | same         | same         | Transformer                             |
| 23          | A35082-001  | same         | same         | same         | Control box cover                       |
| 24          | 11-0521-21  | same         | same         | same         | Harvest Thermostat (began May 1997)     |
| 25          | 12-2070-04  | same         | same         | same         | Relay for harvest thermostat            |

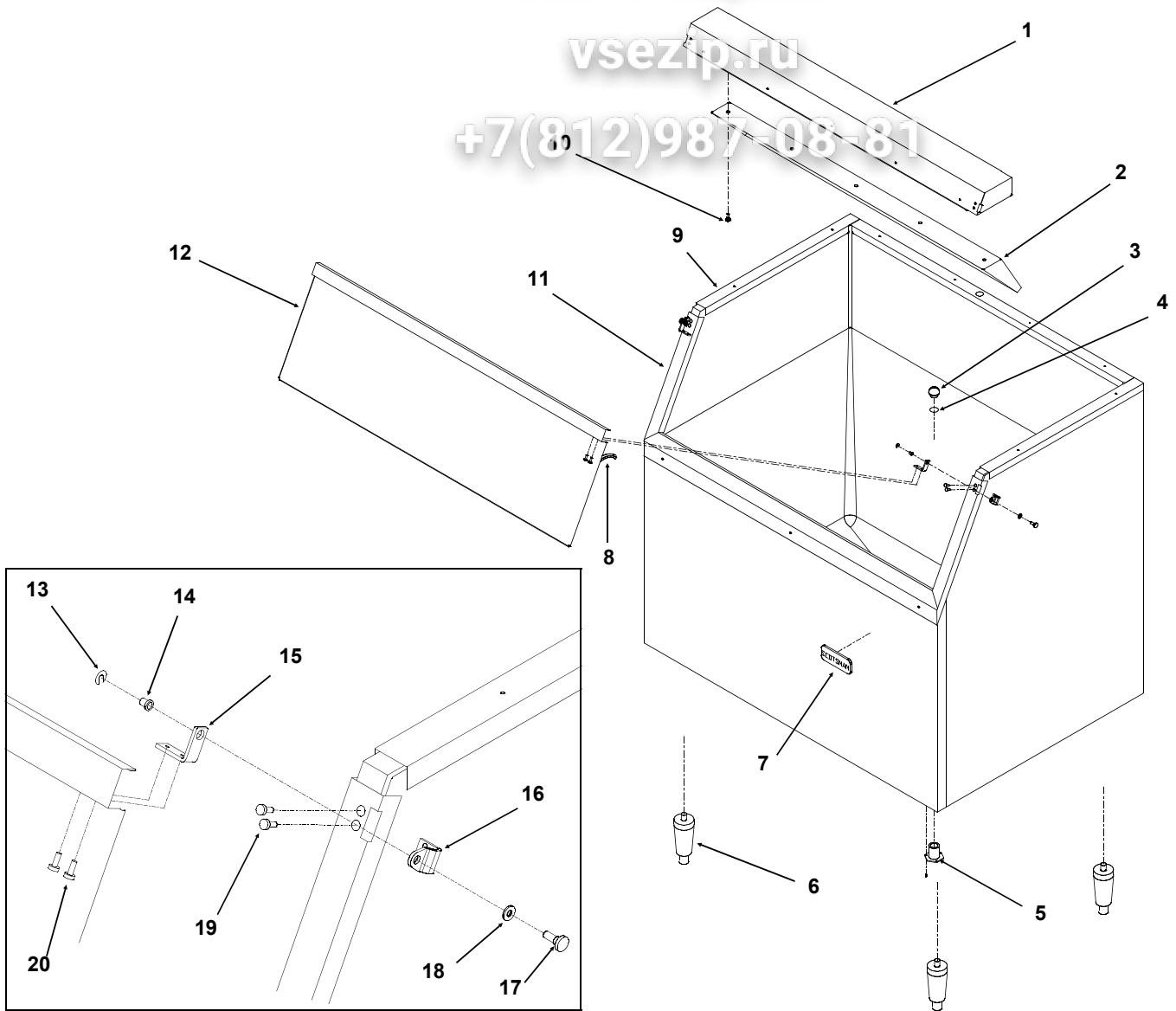
# CME1202 & CME1402 SERVICE PARTS

## BH900 ICE STORAGE BIN

ZIP-ОБЩЕДИТ

vsezip.ru

+7(812)987-08-81



| ITEM NUMBER | PART NUMBER | DESCRIPTION              |
|-------------|-------------|--------------------------|
| 1           | A35322-020  | Canopy Assembly          |
| 2           | A35152-001  | Ice Baffle               |
| 3           | 02-2809-01  | Drain Top                |
| 4           | 13-0617-11  | O-ring                   |
| 5           | 02-3201-01  | Drain casting            |
| 6           | KLP2E       | Leg Kit, Black           |
|             | KLP2S       | Leg Kit, Nickel Plated   |
| 7           | 15-0711-01  | Emblem                   |
| 8           | 13-0595-00  | Door gasket( 6.25' reg.) |
| 9           | 19-0503-04  | Bin gasket               |
| 10          | 03-0727-11  | Baffle screw             |
| 11          | A35275-020  | Door frame assy.         |
|             | A37641-021  | Door frame, BH900S-C     |
| 12          | A35323-001  | Door with gasket         |
| 13          | 03-1539-09  | "E" ring                 |
| 14          | 02-2380-01  | Hinge bushing            |

| ITEM NUMBER | PART NUMBER | DESCRIPTION       |
|-------------|-------------|-------------------|
| 15          | 02-3195-01  | Door hinge        |
| 16          | 02-3196-01  | Bin hinge         |
| 17          | 02-2806-01  | Shoulder screw    |
| 18          | 02-2380-02  | Spacer            |
| 19          | 03-1403-29  | Screw 10-24       |
| 20          | 03-1403-24  | Screw 10-24       |
| 21          | 02-0540-00  | Scoop             |
| 22          | A35280-001  | Left bin channel  |
| 21a         | A35311-001  | Back bin channel  |
| 21b         | A35279-001  | Right bin channel |

Note: There were a few BH900CE/CS type bins that used a different door, gasket, hinge & pin:

|    |            |                           |
|----|------------|---------------------------|
| 12 | 02-3222-01 | Door, BH900CE / CS        |
|    | 13-0595-01 | Gasket, BH900CE / CS      |
|    | 02-3225-01 | Hinge kit, BH900CE / CS   |
|    | 02-3226-01 | Pivot pin set, BH900CE/CS |

# CME1202 & CME1402 SERVICE PARTS

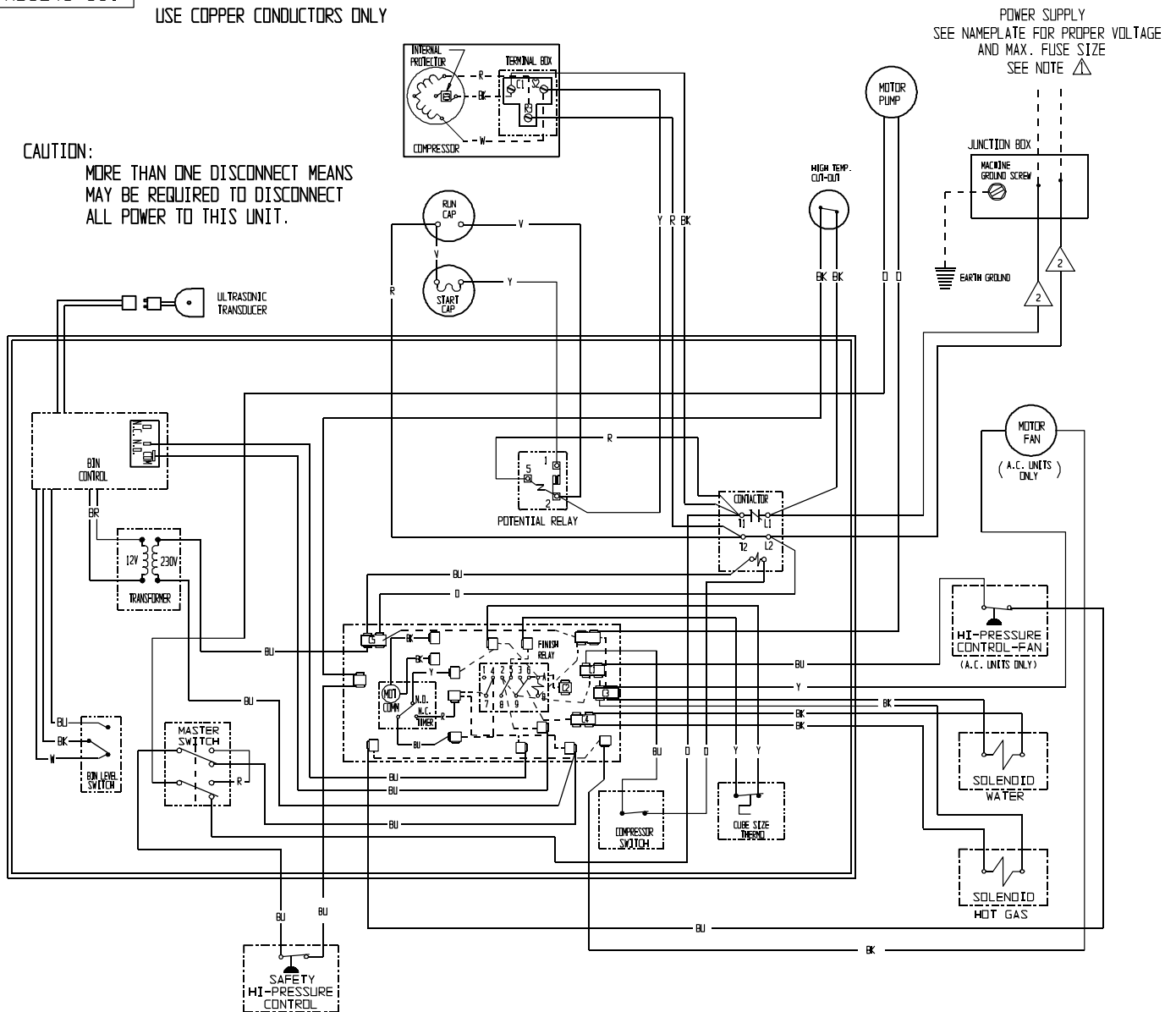
## Single Phase Wiring Diagram

vsezip.ru

+7(812)987-08-81

A36249-001 THIS UNIT MUST BE GROUNDED  
USE COPPER CONDUCTORS ONLY

CAUTION:  
MORE THAN ONE DISCONNECT MEANS  
MAY BE REQUIRED TO DISCONNECT  
ALL POWER TO THIS UNIT.



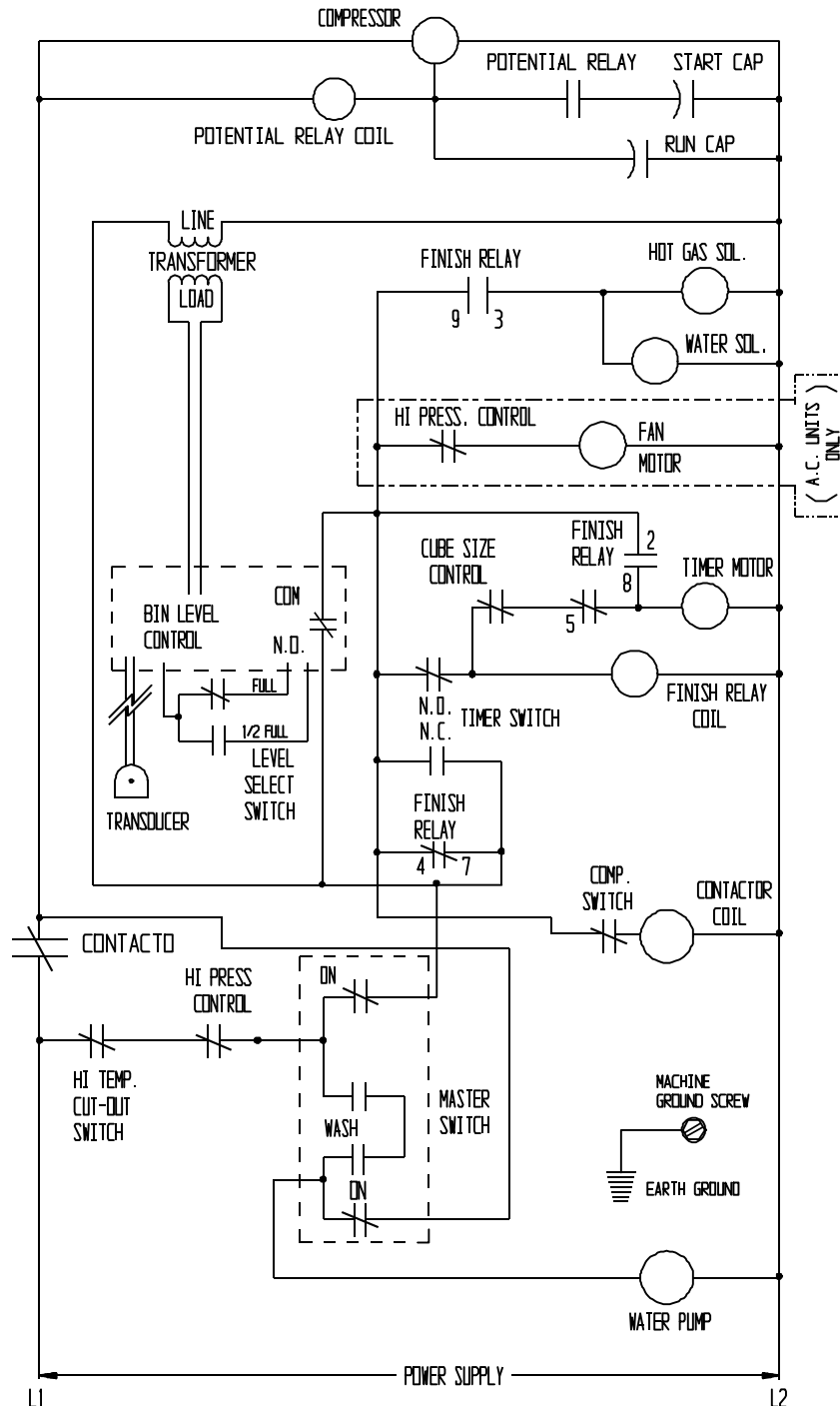


# CME1202 & CME1402 SERVICE PARTS

## Single Phase Schematic Diagram

NOTES:

- 1 DASHED LINES INDICATE FIELD WIRING WHICH MUST BE INSTALLED IN ACCORDANCE WITH THE NATIONAL ELECTRICAL CODE AND ALL STATE AND LOCAL CODES.
- 2 WIRE COLOR FOR -32A (60 Hz) UNITS: BLACK  
WIRE COLOR FOR -6A (50 Hz) UNITS : BROWN



THIS UNIT SHOWN IN THE TIMED PORTION  
OF THE FREEZING CYCLE

October 1994

Page 9

# CME1202 & CME1402 SERVICE PARTS

## 3 Phase Wiring Diagram

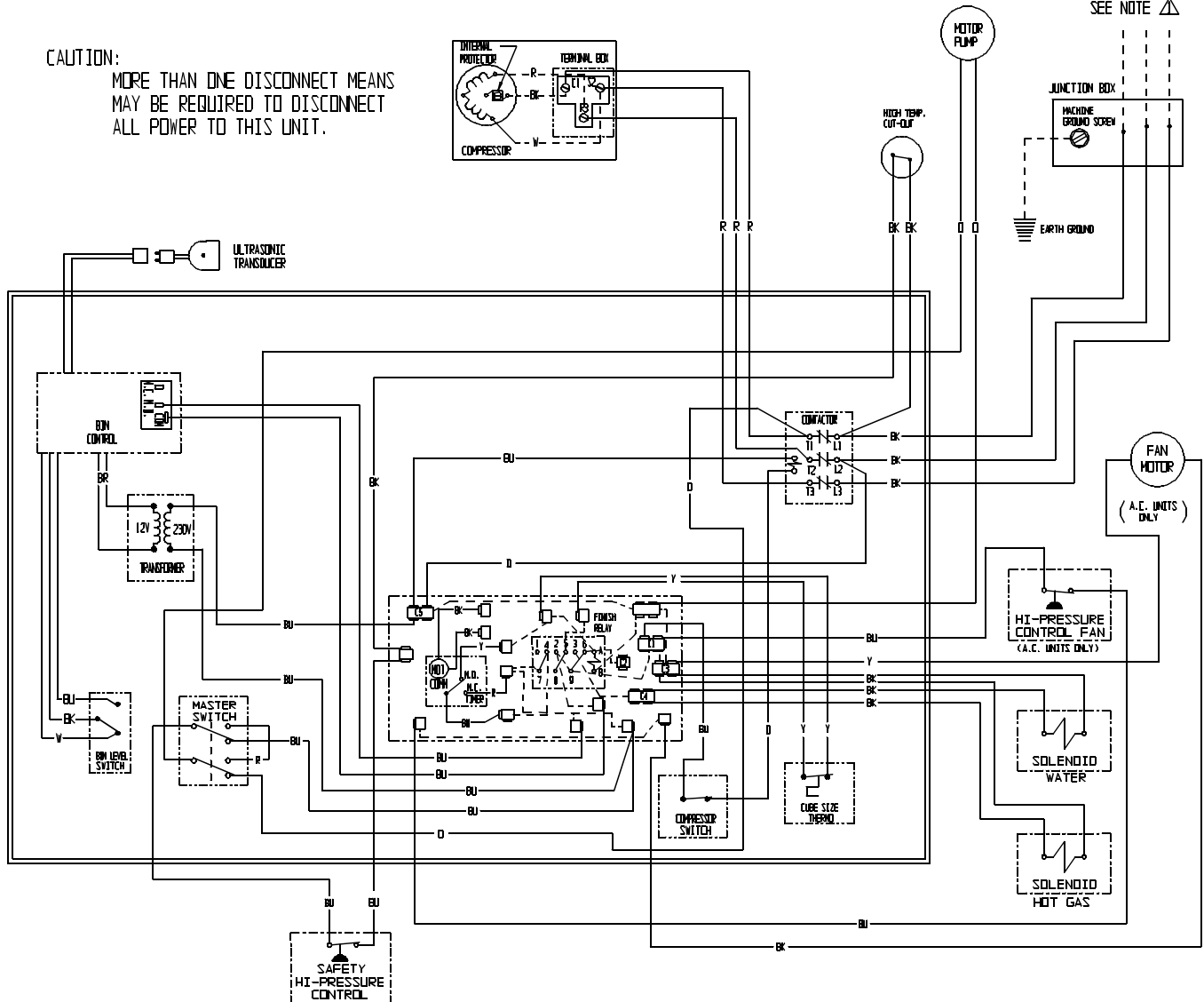
vsezip.ru

+7(812)987-08-81

A36249-003 THIS UNIT MUST BE GROUNDED  
USE COPPER CONDUCTORS ONLY

CAUTION:  
MORE THAN ONE DISCONNECT MEANS  
MAY BE REQUIRED TO DISCONNECT  
ALL POWER TO THIS UNIT.

SEE NAMEPLATE FOR  
POWER SUPPLY VOLTAGE  
AND MAX. FUSE SIZE  
SEE NOTE  $\Delta$

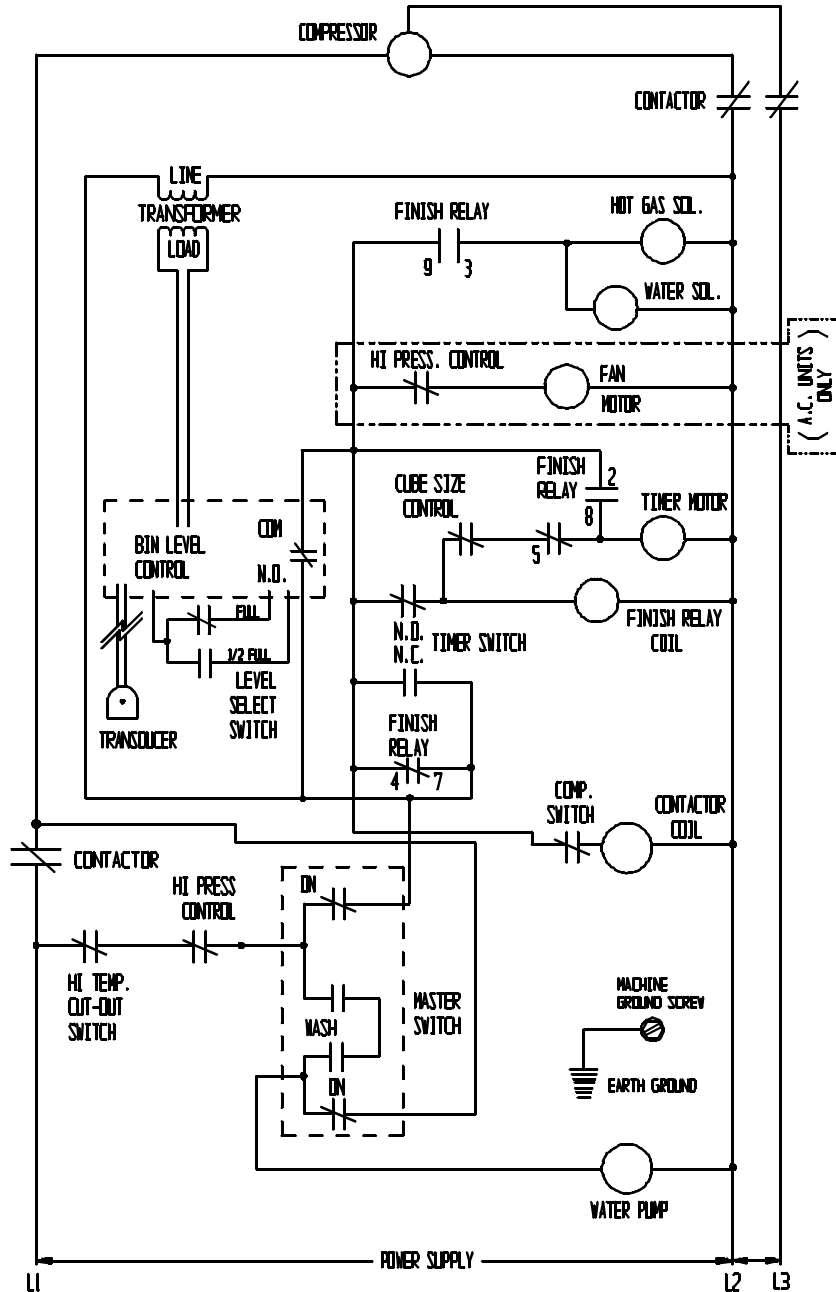


# CME1202 & CME1402 SERVICE PARTS

## 3 Phase Schematic Diagram

NOTES:

△ DASHED LINES INDICATE FIELD WIRING WHICH MUST BE INSTALLED IN ACCORDANCE WITH THE NATIONAL ELECTRICAL CODE AND ALL STATE AND LOCAL CODES.



THIS UNIT SHOWN IN THE TIMED PORTION OF THE FREEZING CYCLE

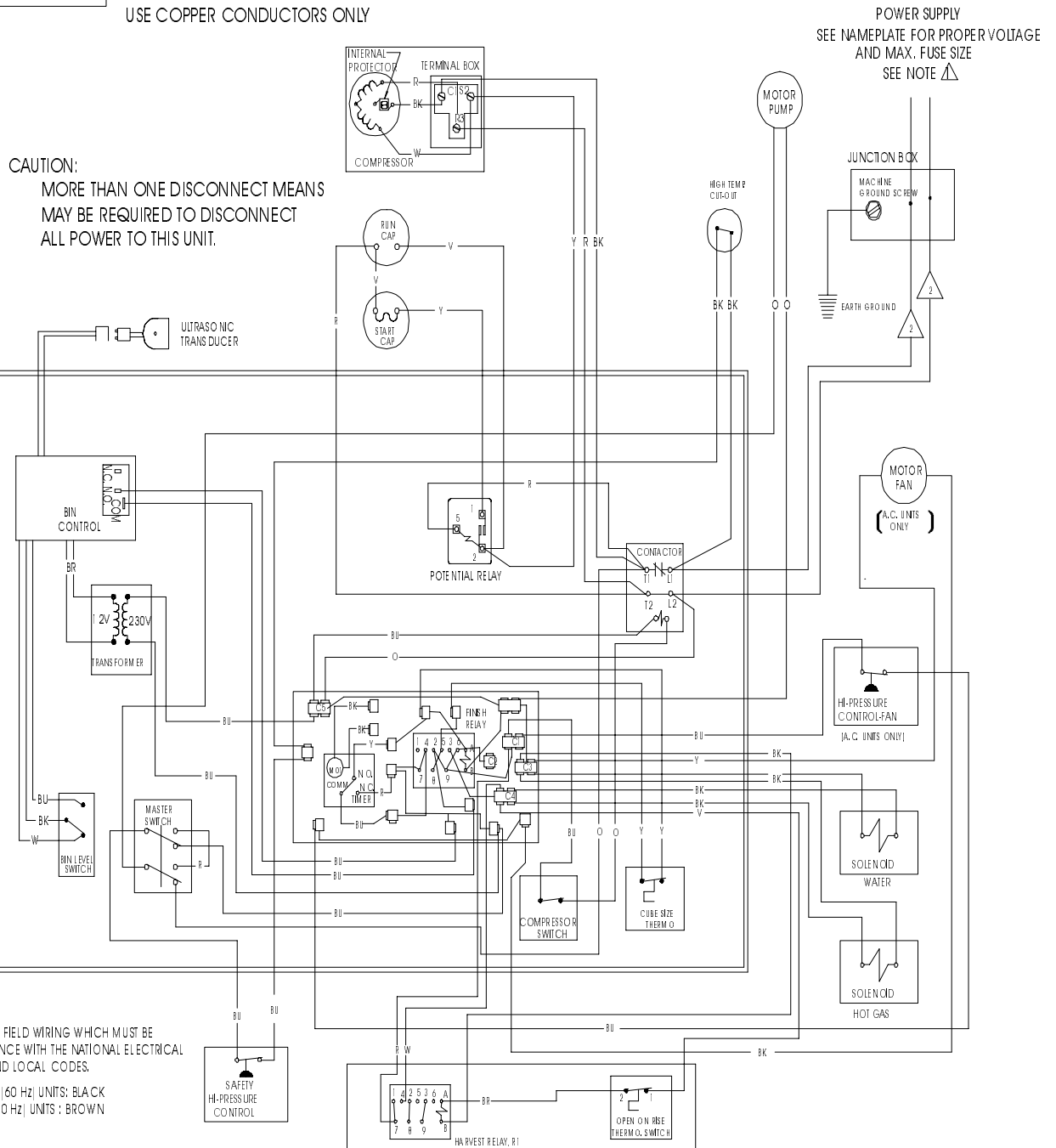
# CME1202 & CME1402 SERVICE PARTS

## Single phase Wiring Diagram May 1997 production and later

vsezip.ru

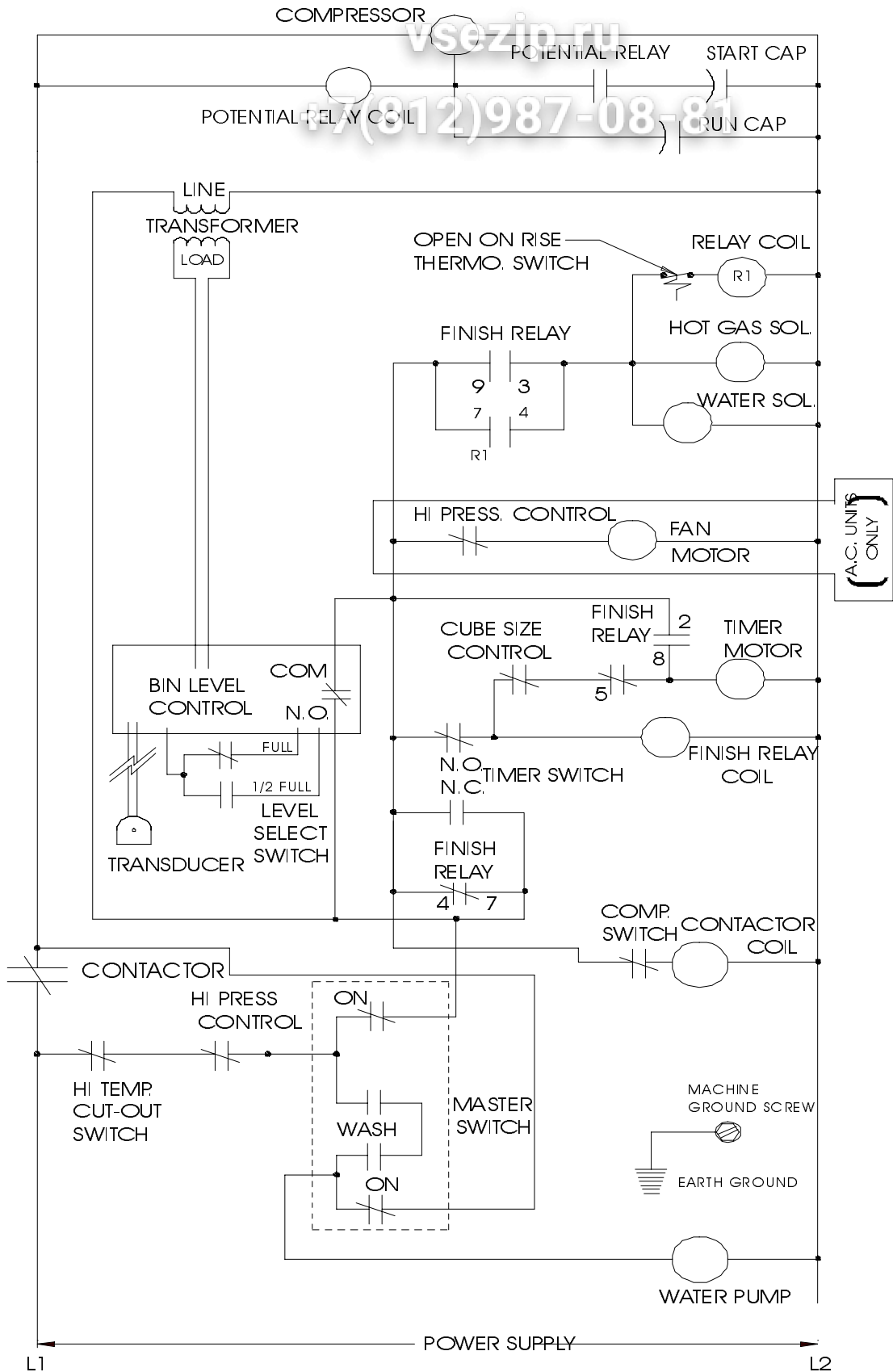
+7(812)987-08-81

17-2524-01 THIS UNIT MUST BE GROUNDED  
USE COPPER CONDUCTORS ONLY



# CME1202 & CME1402 SERVICE PARTS

Single phase Schematic Diagram May 1997 production and later



THIS UNIT SHOWN IN THE TIMED PORTION  
OF THE FREEZING CYCLE

# CME1202 & CME1402 SERVICE PARTS

## 3 phase Wiring Diagram May 1997 production and later

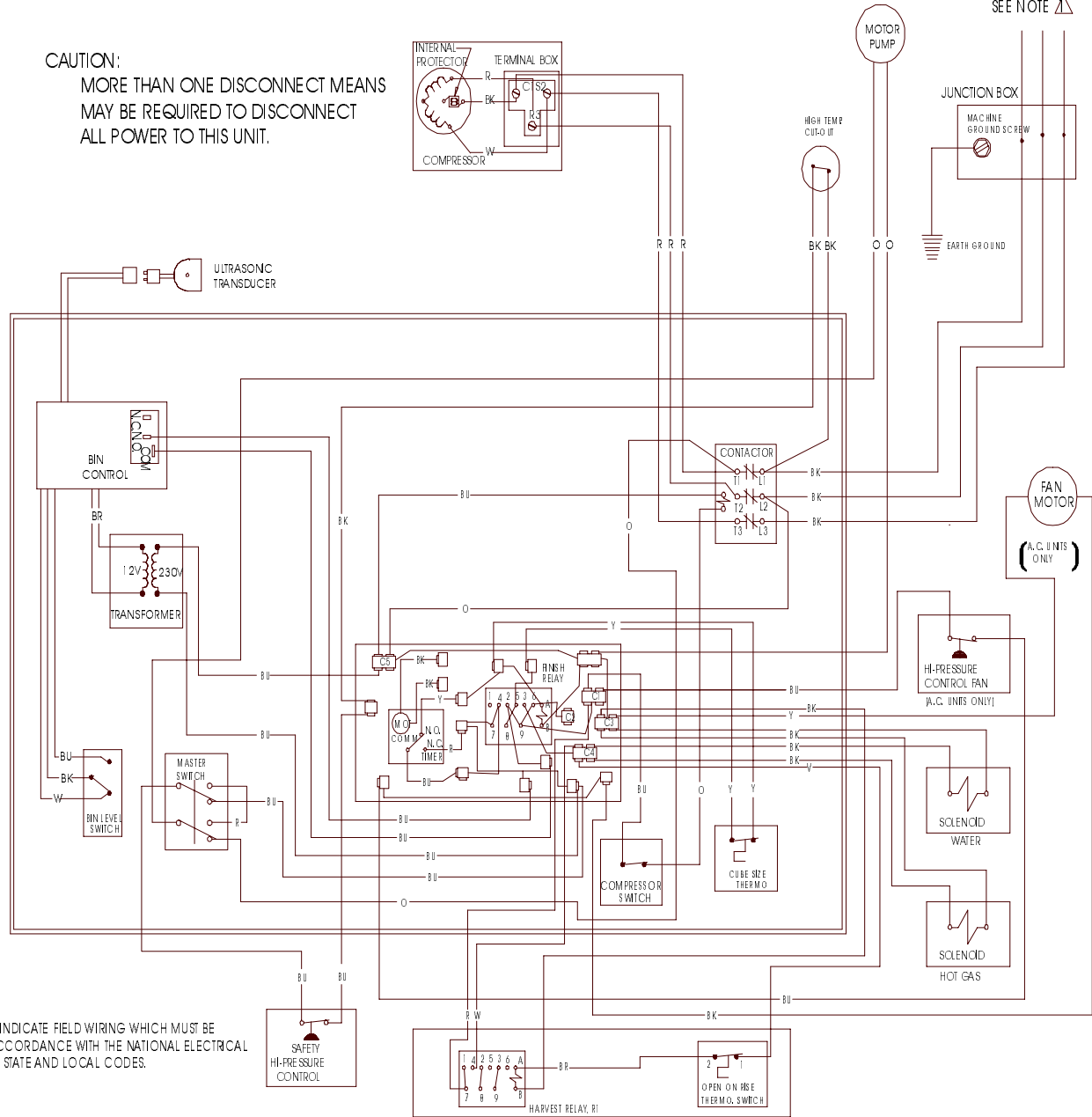
vsezip.ru

+7(812)987-08-81

17-2525-03 THIS UNIT MUST BE GROUNDED  
USE COPPER CONDUCTORS ONLY

SEE NAMEPLATE FOR  
POWER SUPPLY VOLTAGE  
AND MAX. FUSE SIZE  
SEE NOTE  $\Delta$

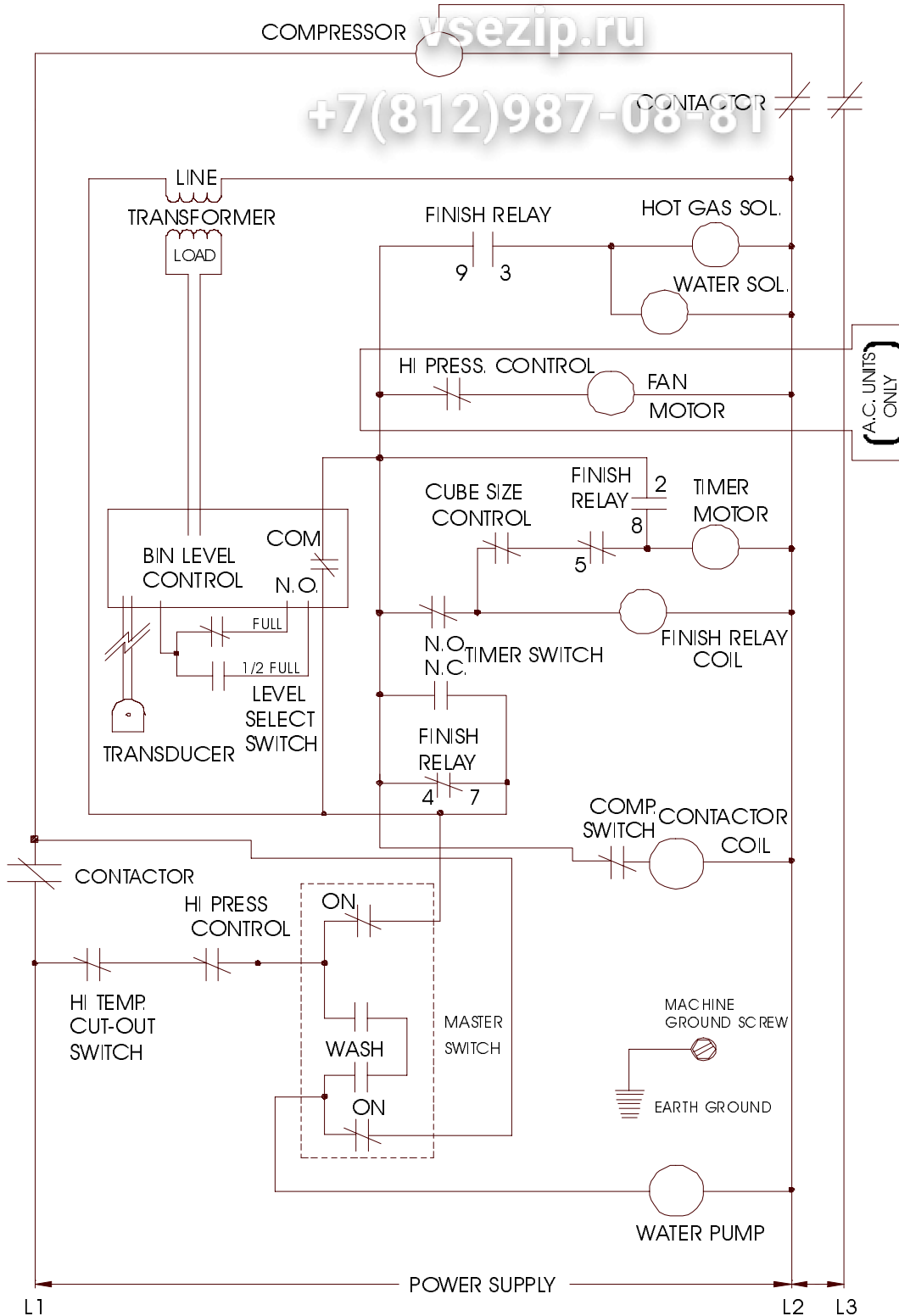
CAUTION:  
MORE THAN ONE DISCONNECT MEANS  
MAY BE REQUIRED TO DISCONNECT  
ALL POWER TO THIS UNIT.



NOTES:  
 $\Delta$  DASHED LINES INDICATE FIELD WIRING WHICH MUST BE  
INSTALLED IN ACCORDANCE WITH THE NATIONAL ELECTRICAL  
CODE AND ALL STATE AND LOCAL CODES.

# CME1202 & CME1402 SERVICE PARTS

## 3 phase Schematic Diagram May 1997 production and later



THIS UNIT SHOWN IN THE TIMED PORTION  
OF THE FREEZING CYCLE