

CME1056 Service Parts

This is the parts list for the CME1056 ice machine. The CME1056 was manufactured in A, D, E and F series, as well as single phase 60 Hz, single phase 50 Hz, and three phase.

The E series change was to side panels for water cooled models. The F series change was to the water cooled condenser.

In order to obtain the correct part, always confirm the model number and voltage of the machine the part is being ordered for and compare that information to the description of the part.

+7(812)987-08-81

Table of Contents

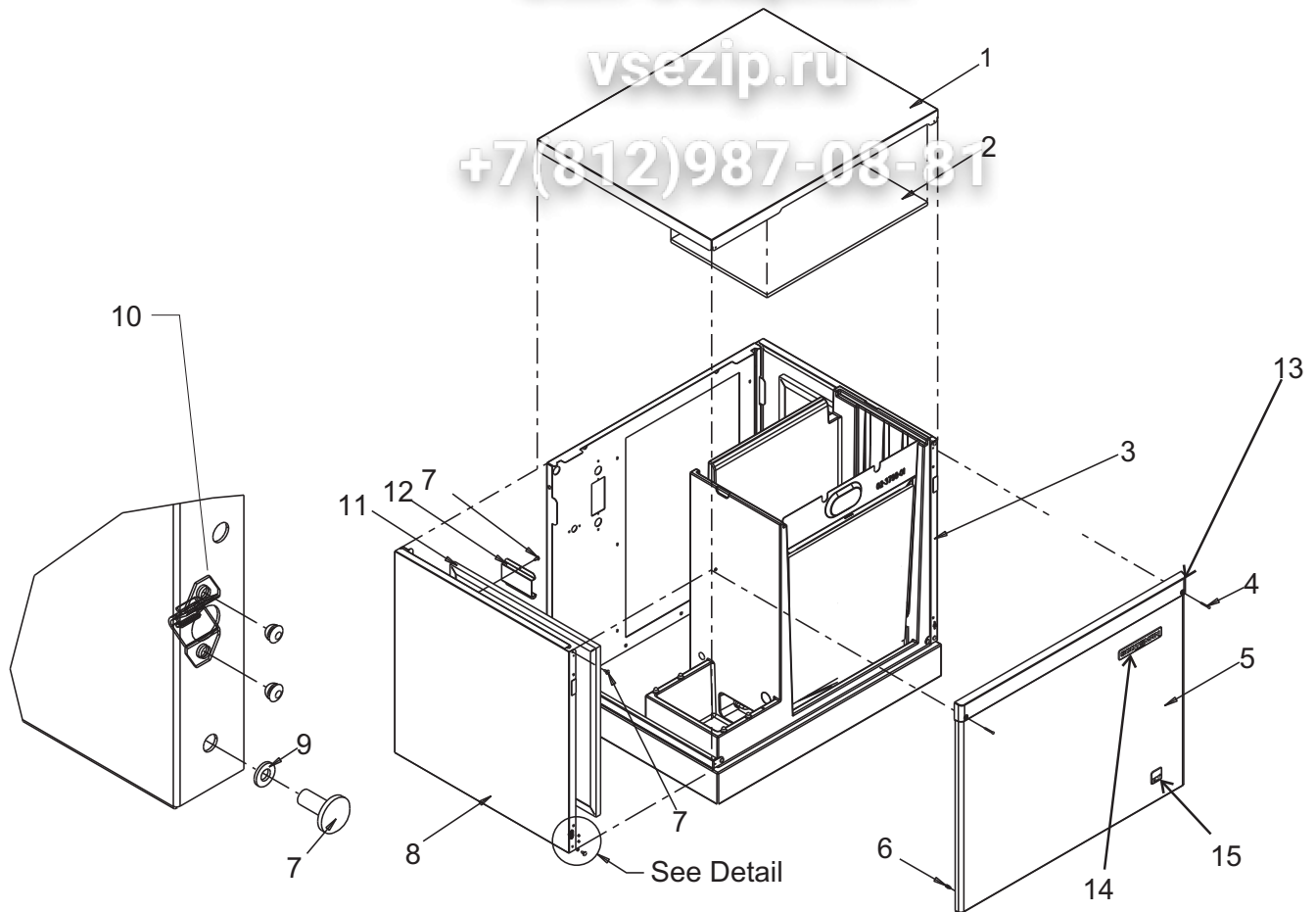
Cabinet	2
Freezing Chamber Components	3
Interior Components	4
Air Cooled Refrigeration	5
Air Cooled Condenser & Fan Motor	6
Water Cooled Refrigeration	7
Water Pump and Valves	8
Water System	9
Electrical	10
Ice Storage Bin, HTB555	11
Single Phase Wiring Diagram, D - F Series	12
Single Phase Schematic Diagram, D - F Series	13
Three Phase Wiring Diagram, D - F Series	14
Single Phase Wiring Diagram, A Series	15
Single Phase Schematic Diagram, A Series	16
Three Phase Wiring Diagram, A Series	17
Three Phase Schematic Diagram	18

CME1056 Service Parts

Зип Общепит

vsezip.ru

+7(812)987-08-81



Item Number	Page Number	Description	
1	A35965-001	Top panel, painted	
	A35965-002	Top panel, stainless steel	
	02-3822-22	Top panel, plastic (D series and up) - 03-1423-06 is the speed nut for this panel.	
2	02-3783-01	Insulation	
3	A35963-021	Air cooled right side panel, painted	
	A35963-022	Air cooled right side panel, stainless steel	
	A37071-021	Water cooled right side panel, painted	
	A37071-022	A - D series water cooled right side panel, stainless steel	
	A38126-021	E and higher series water cooled right side panel, stainless steel	
4	03-1735-01	Front panel screw	
	5	02-3797-21	Plastic front panel, includes 13, 14, and 15
		A37488-021	Stainless steel front panel, includes 13, 14 and 15
	6	03-1733-01	Ball stud (strike)
	7	03-1531-01	Screw
8	A35962-021	Air cooled left side panel, painted	
	A37070-021	Water cooled left side panel, painted	
	A35962-022	Air cooled left side panel, stainless steel	
	A37070-022	A - D series water cooled left side panel, stainless steel	
	A38127-021	E and higher series water cooled left side panel, stainless steel	
9	03-1417-27	Lockwasher	
10	03-1733-02	Catch	
11	02-3485-01	Air filter	
12	A37326-001	Bracket	
13	02-3794-01	Trim strip. 03-1731-02 Retainers for trim strip	
14	15-0808-03	Scotsman emblem	
15	15-0792-02	CM ³ emblem	

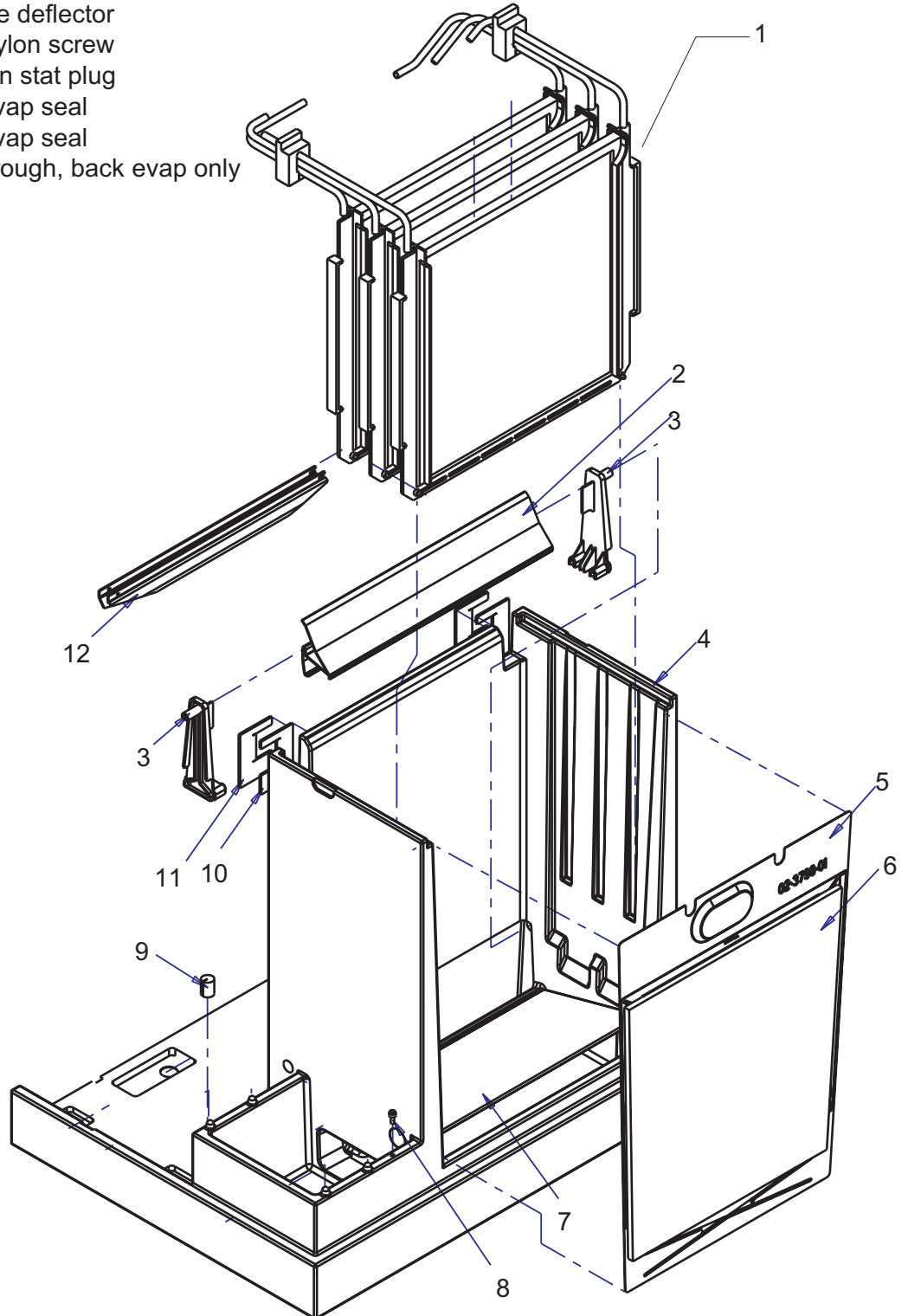
CME1056 Service Parts

Freezing Chamber Components

vsezip.ru

+7(812)987-08-81

Item Number	Part Number	Description
1	A37370-021	Evaporator set (3)
2	02-3765-01	Cascading shield
3	11-0540-21	Ice sensor set
4	A37759-002	Water compartment
5	02-3798-01	Evaporator cover
6	02-3810-01	Insulation for evap cover
7	02-3337-02	Ice deflector
8	03-1691-01	Nylon screw
9	02-3782-01	Bin stat plug
10	02-3779-02	Evap seal
11	02-3779-03	Evap seal
12	02-3778-01	Trough, back evap only

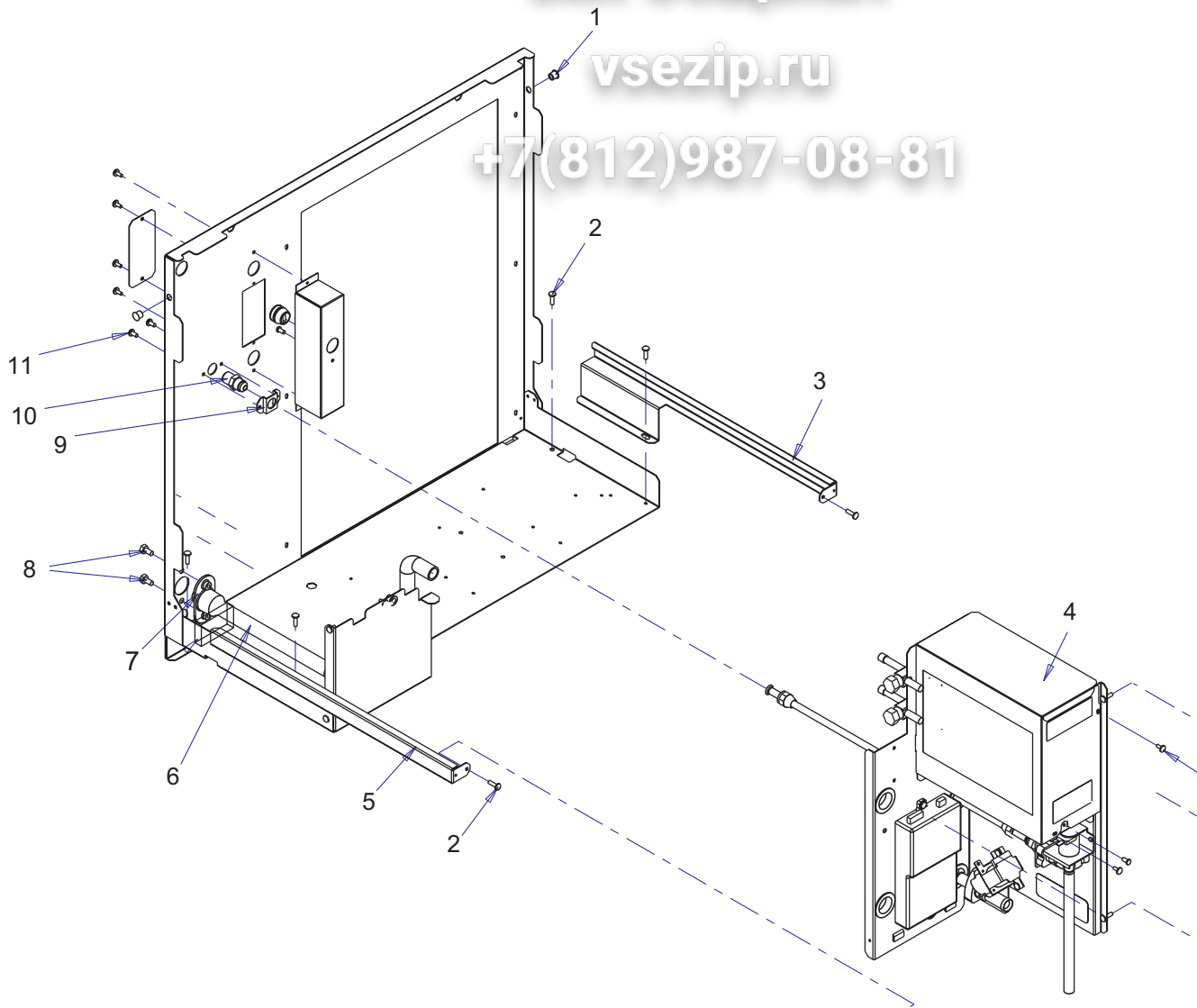


CME1056 Service Parts

Interior Components

vsezip.ru

+7(812)987-08-81



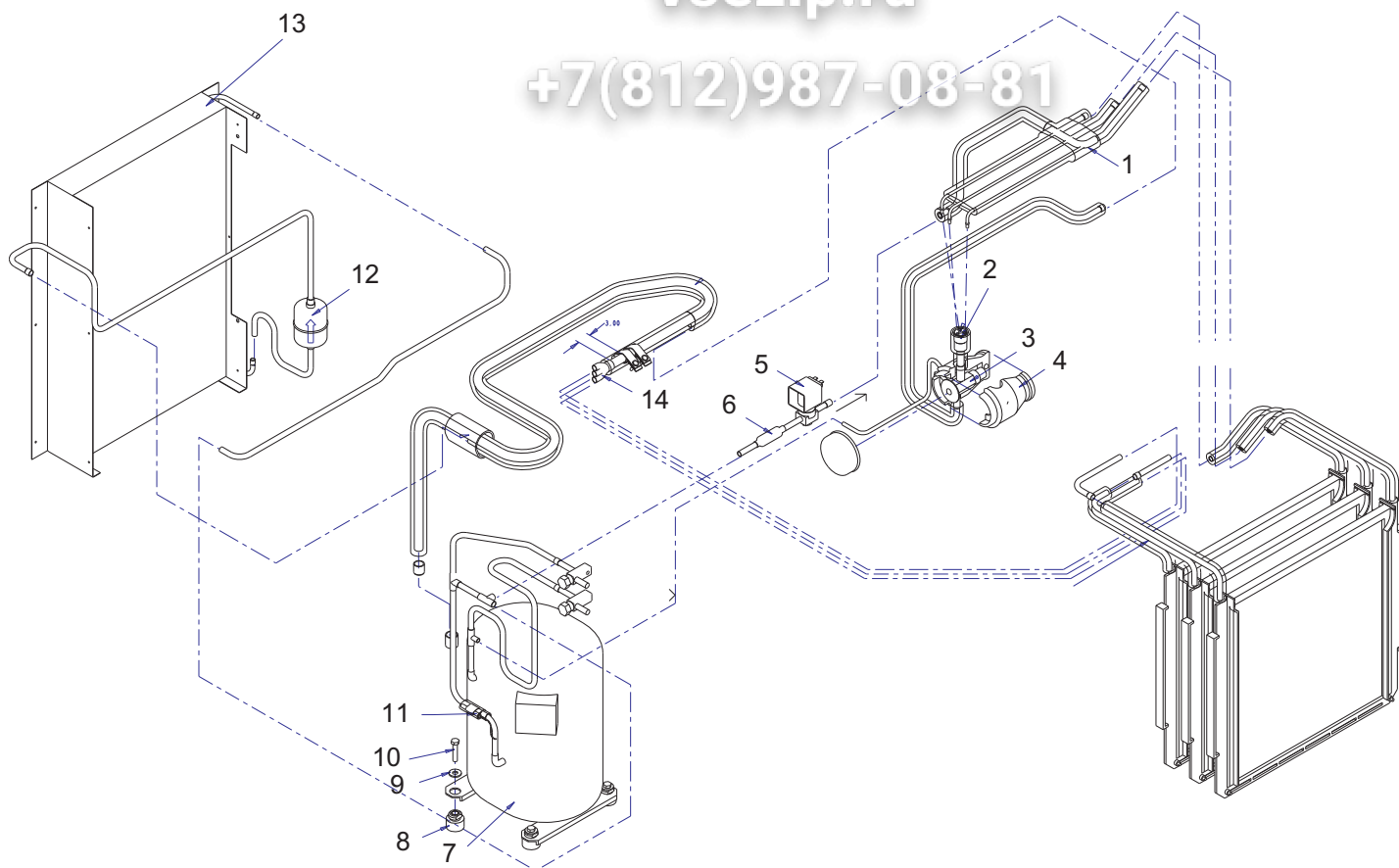
Item Number	Part Number	Description
1	02-1875-03	Hole plug
2	03-1404-18	Screw
3	A37400-001	Right channel
4	A37468-001	Control box cover
5	A37399-001	Left channel
6	02-3763-01	Drain hose
7	02-3692-21	Drain fitting w/screws
8	03-0571-00	Screw
9	A37232-001	Fitting bracket
10	16-1036-01	Inlet fitting
11	03-1531-01	Screw

CME1056 Service Parts

3-й Этап ОБЩЕПИТ

vsezip.ru

+7(812)987-08-81



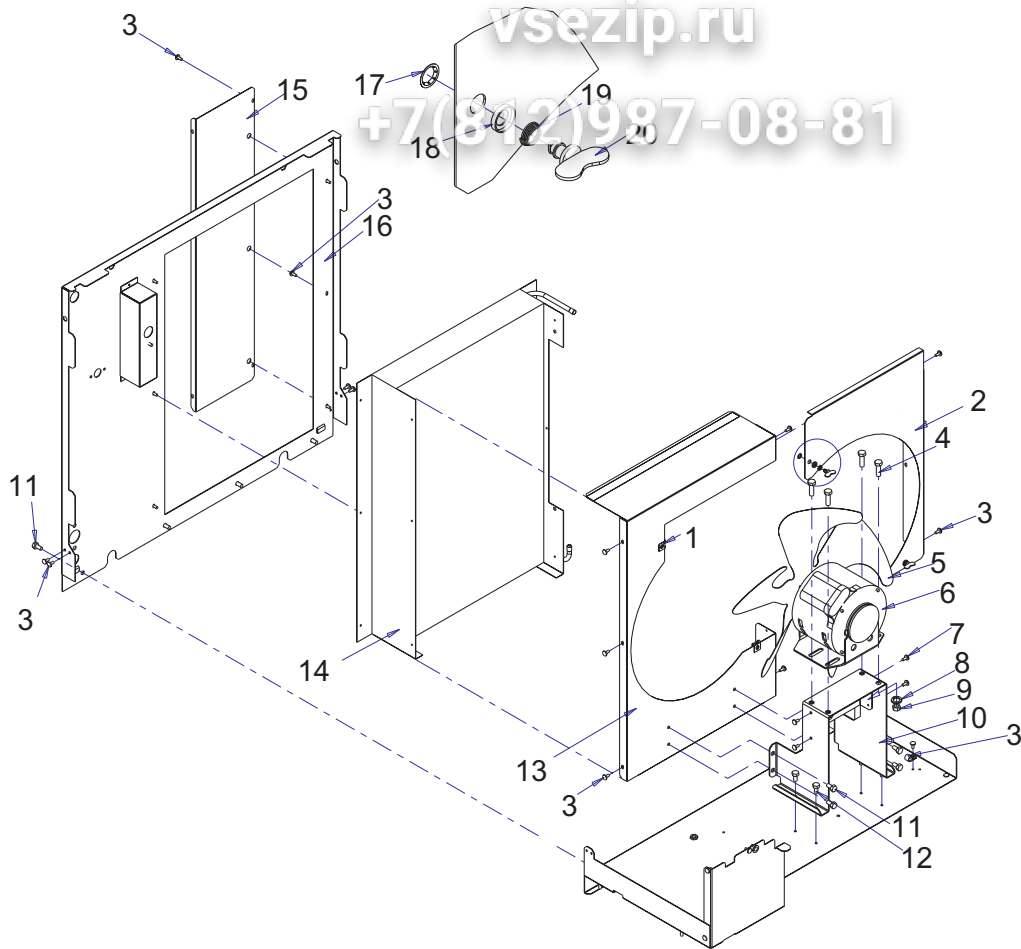
Item Number	Part Number	Description
1	16-1051-01	Hot gas header
2	16-1058-01	Distributor
3	16-1076-21	TXV
4	02-4406-01	TXV insulation
5	12-2471-24	Hot gas valve - 4T3
	12-2719-23	Hot gas valve coil only
	12-2733-30	Hot gas valve repair kit, no coil, no body
6	16-1063-01	Hot gas valve strainer
7	18-8749-22	Compressor. 208-230/60/1 CS14K6E-PFV-276
	18-8749-24	Compressor. 208-230/60/3 CS14K6E-TF5-276
	18-8749-27	Compressor. 220-240/50/1 CS14K6E-PFJ-276

All compressors include a drier. Single phase also include starting components. All overloads are internal.

8	18-2300-27	Mounting grommet
	18-2200-27	Mounting sleeve
9	03-1407-07	Washer
10	03-1405-20	Cap screw
11	02-3410-21	Discharge temp sensor (with water temp sensor)
12	02-3319-02	Drier
13	18-8824-21	Air cooled condenser

CME1056 Service Parts

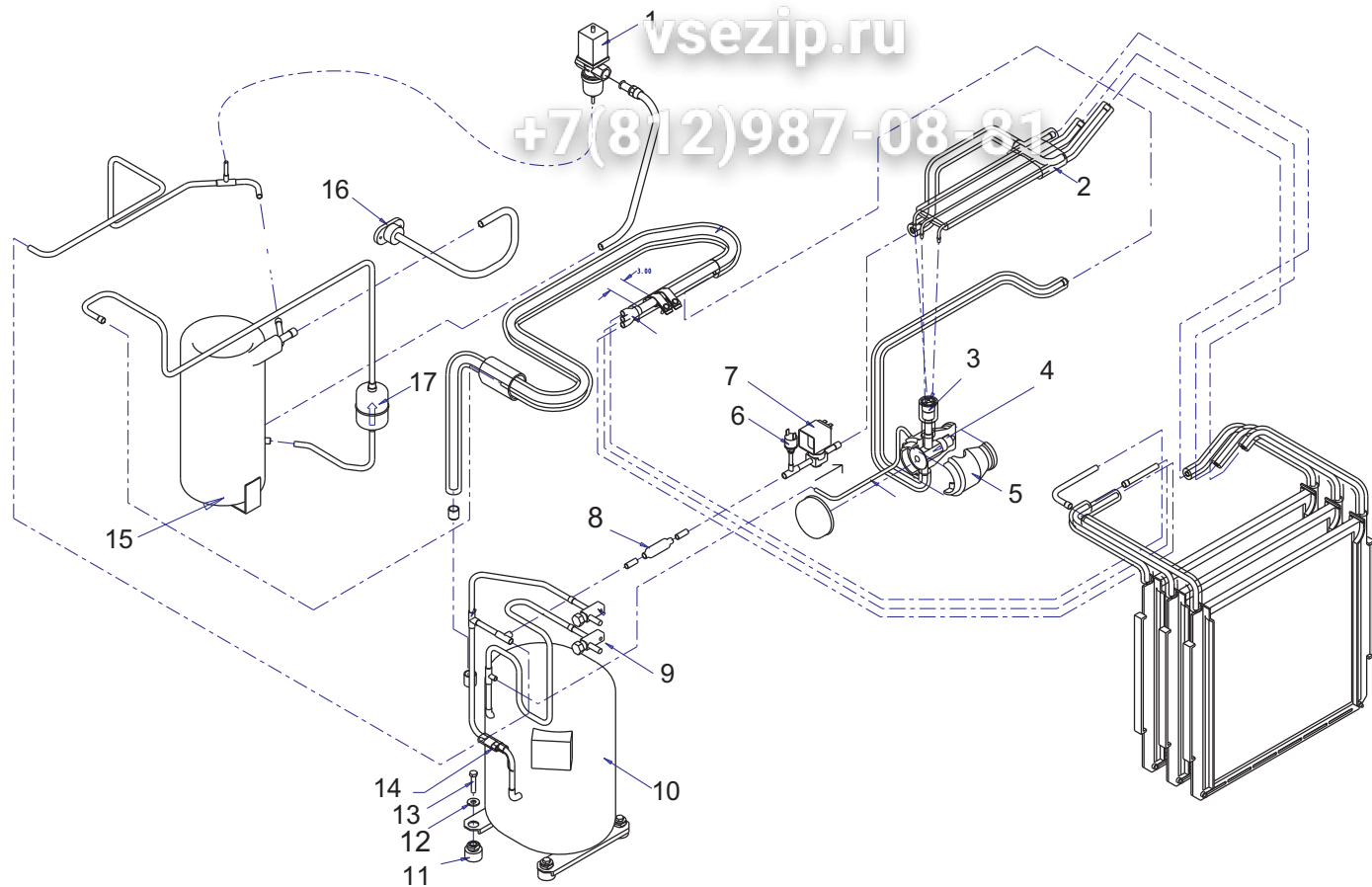
Air Cooled Condenser Fan Motor



Item Number	Part Number	Description
1	03-1731-05	Clip
2	A37376-001	Shroud top
3	03-1531-01	Screw
4	03-1251-01	Hex bolt
5	18-8765-03	Fan blade
6	18-8830-21	Fan motor, 1100 RPM
7	03-1638-03	Screw
8	03-1410-04	Lockwasher
9	03-1406-10	Hex nut
10	A37382-001	Fan bracket
11	03-1645-01	Screw
12	03-1732-01	Screw
13	A37381-001	Shroud
14	18-8824-21	Air cooled condenser
15	A37417-001	Baffle
16	A37372-001	Back panel
17	03-1731-02	Push on retainer
18	03-1731-04	Washer
19	03-1731-03	Spring
20	03-1731-01	Wing screw

CME1056 Service Parts

Water Cooled Refrigeration

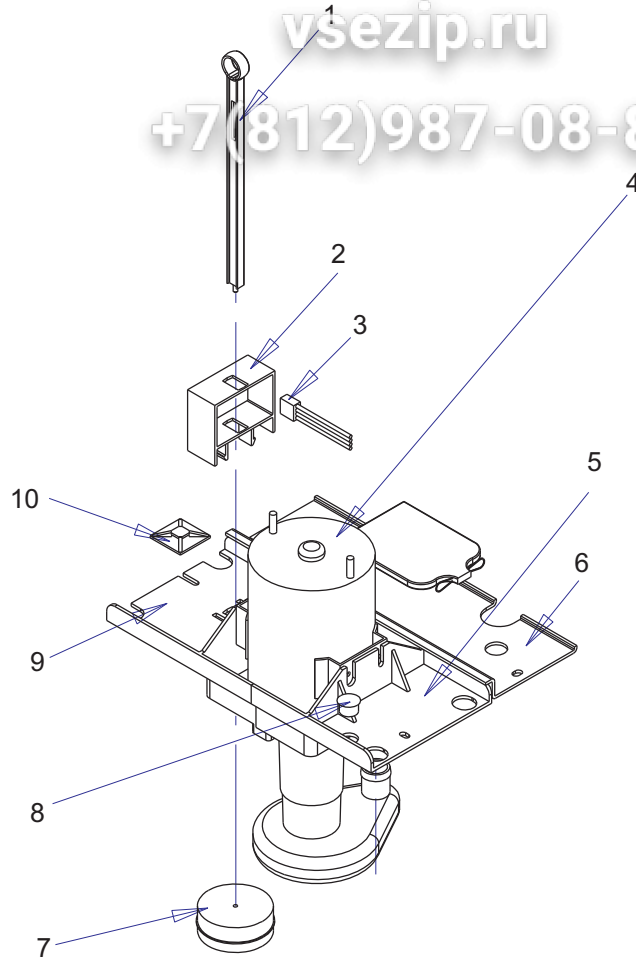


Item Number	Part Number	Description	Item Number	Part Number	Description
1	11-0478-01	Water reg. valve	11	18-2300-27	Mounting grommet
2	16-1051-01	Hot gas header		18-2200-27	Mounting sleeve
3	16-1058-01	Distributor	12	03-1407-07	Washer
4	16-1076-21	TXV	13	03-1405-20	Cap screw
5	02-4406-01	TXV insulation	14	02-3410-21	Discharge temp sensor
6	11-0501-21	Hi pressure cut out	15	18-6900-25	A thru E series water cooled condenser
7	12-2471-24	Hot gas valve - 4T3		18-8874-21	F & up series water cooled condenser
	12-2719-23	Hot gas valve coil only	16	A31828-003	Drain casting
	12-2733-30	Hot gas valve repair kit, no coil, no body	Not Shown:		
8	16-1063-01	Hot gas valve strainer	17	A37373-001	Back panel for water cooled
9	16-0832-21	Access valve			
	16-0832-03	Port cap			
	16-0832-02	Stem cap			
10	18-8749-22	Compressor. 208-230/60/1 CS14K6E-PFV-276			
	18-8749-24	Compressor. 208-230/60/3 CS14K6E-TF5-276			
	18-8749-27	Compressor. 220-240/50/1 CS14K6E-PFJ-276			

All compressors include a drier. Single phase also include starting components. All overloads are internal.

CME1056 Service Parts
Water Pump and Valves

vsezip.ru
 +7(812)987-08-81



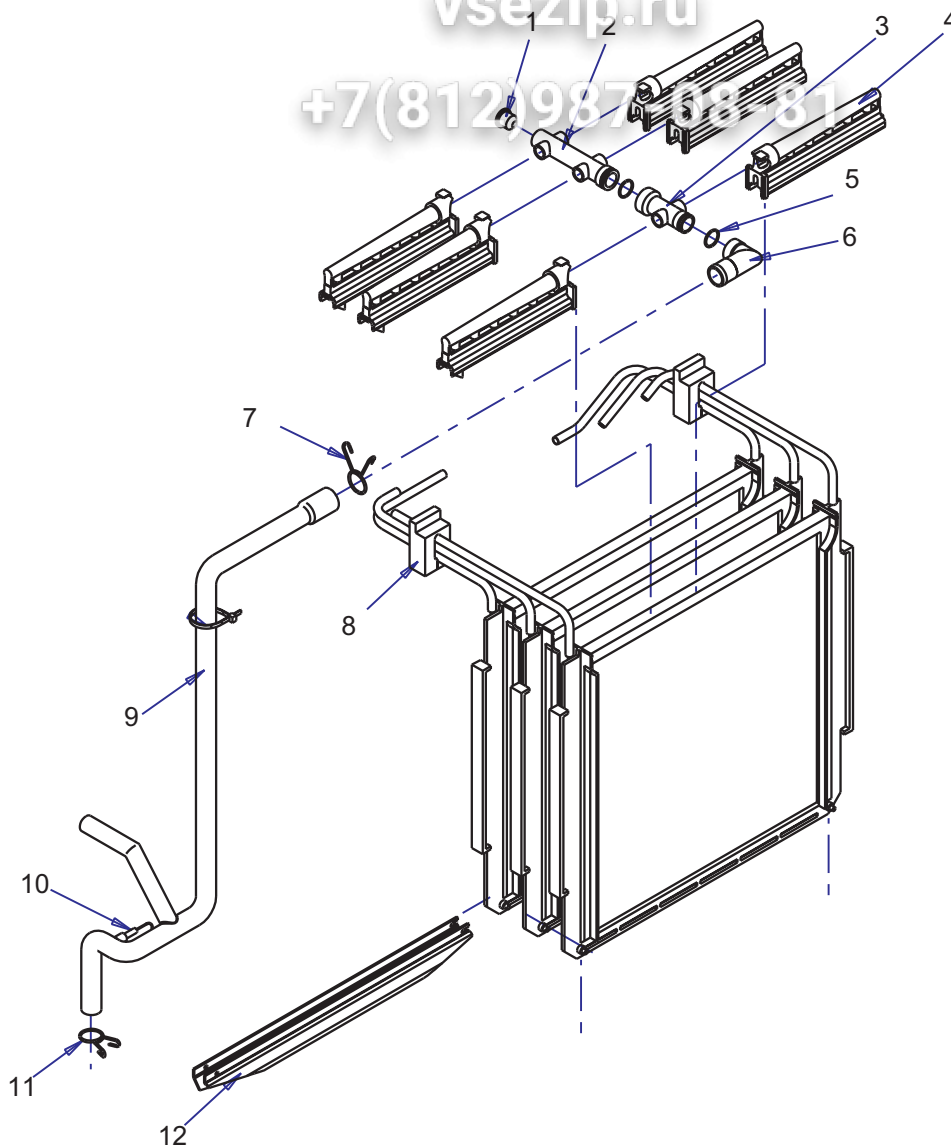
Item Number	Part Number	Description
1	02-3777-01	Float stick
2	11-0539-51	Water level sensor
3	12-2506-01	Harness
4	12-2714-21	Water pump - 208-230
5	02-3388-06	Pump bracket
6	02-3764-01	Sump cover
7	02-3341-01	Float
8	02-1875-05	Hole plug
9	02-3388-04	Pump bracket
10	03-1736-01	Mount for cable tie

CME1056 Service Parts

Всёобщепит

vsezip.ru

+7(812)987-03-81



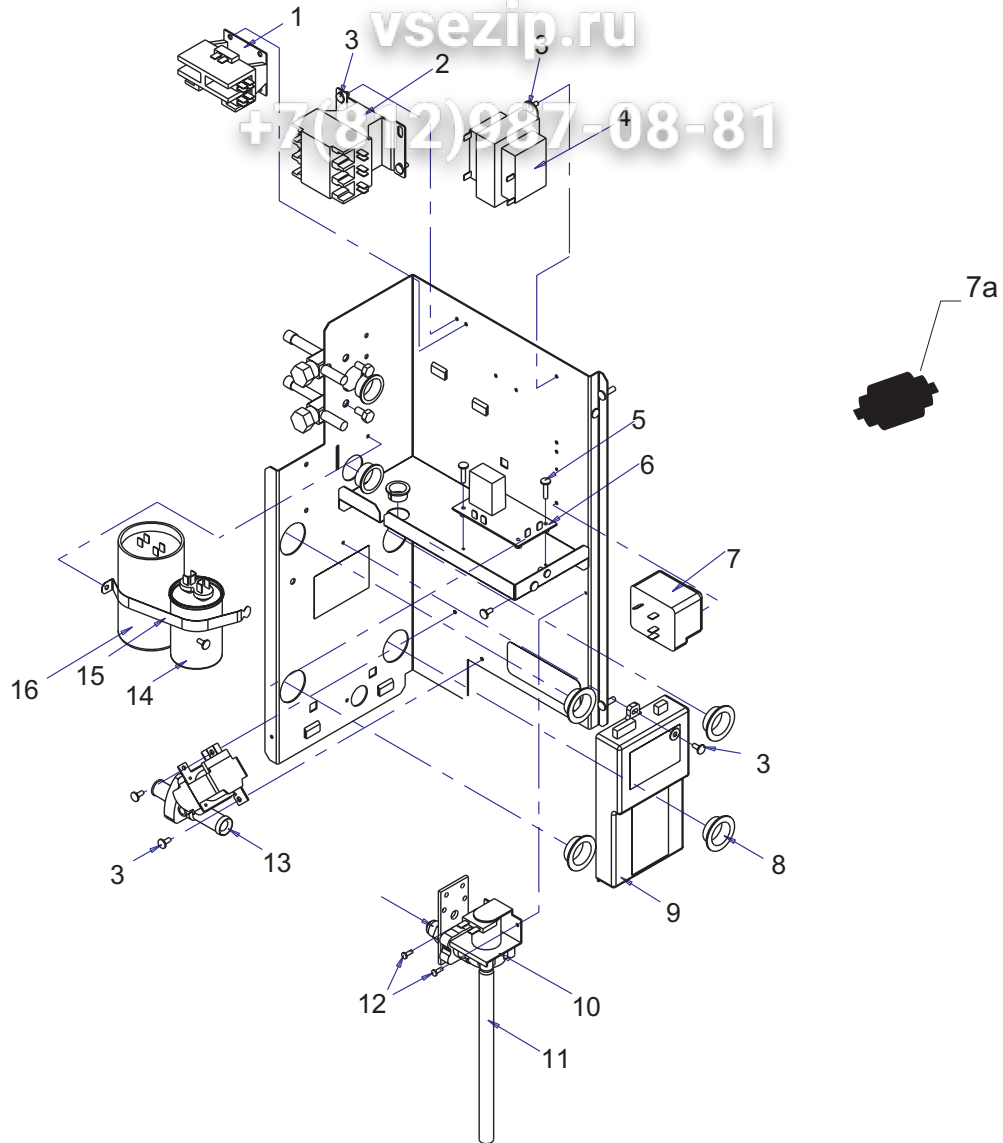
Item Number	Part Number	Description
1	13-0840-01	Plug
2	02-3518-01	Manifold
3	02-3519-01	Manifold
4	02-2527-01	Water distributor
5	13-0617-48	O ring
6	02-3613-01	Elbow
7	02-3791-01	Hose clamp
8	02-3779-01	Grommet
9	02-3762-01	Pump hose
10	02-3410-21	Water temp sensor (with discharge temp sensor)
11	02-3725-01	Hose clamp
12	02-3778-01	Trough, for back plate only

CME1056 Service Parts

Электрика

vsezip.ru

+7(812)987-08-81



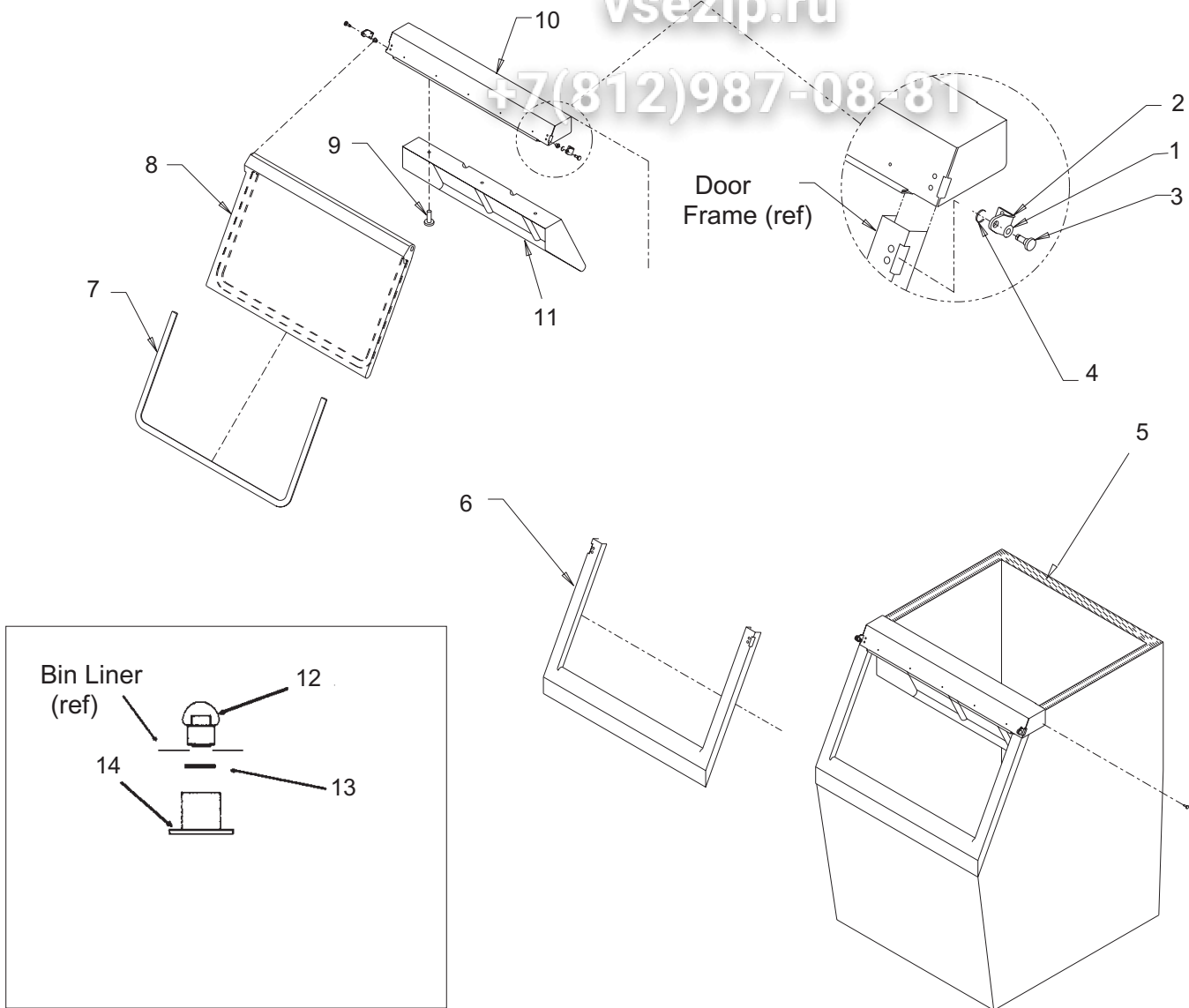
Item Number	Part Number	Description	Item Number	Part Number	Description
1	12-2469-01	Single phase contactor	12	03-1404-05	Screw
2	12-2533-01	Three phase contactor	13	11-0514-01	Purge valve
3	03-1531-01	Screw	14	18-1902-55	Run capacitor
4	A37217-001	Transformer	15	A37366-001	Strap
5	03-1638-01	Screw	16	18-1901-48	Start capacitor
6	11-0531-21	Purge valve timer	Not Shown		
7	18-1903-46	60 Hz compressor relay	17	12-2713-01	Lo volt harness, A series
	18-1903-33	50 Hz compressor relay		12-2818-01	Lo volt harness, D+ series
7a	18-8835-01	PTCR D series	18	12-2476-01	Hi volt harness, A series
8	12-1213-12	Snap bushing		12-2784-01	Hi volt harness, D+ series
9	12-2838-23	Controller	Bin Thermostat System Components		
10	12-2666-01	Inlet water valve	19	11-0521-21	Bin thermostat
11	13-0674-02	Tube, order 1 unit. Cut to 8 in.	20	02-3740-01	Bracket
			21	03-1675-03	Knob
			22	12-2701-01	Bin thermo harness
			23	12-2699-01	Stacking kit harness

CME1056 Service Parts

Ice Storage Bin, 113-555

vsezip.ru

+7(812)987-08-81



Item Number	Part Number	Description
1	02-2380-02	Spacer
2	02-3196-01	Hinge
3	02-2806-01	Shoulder screw
4	03-1539-09	E-ring
5	19-0503-04	Gasket 9 ft. *
6	02-3274-02	Door frame (grey)
7	13-0909-01	Door gasket - 58" *
8	A36481-022	Door, grey, includes #7.
9	03-0727-11	Thumb screw
10	A35637-001	Canopy
11	A37310-001	Baffle
12	02-2809-02	Drain top
13	13-0617-09	O-ring
14	02-3108-01	Drain bottom

Not shown

03-1404-07	Screw for drain bottom
05-0586-01	Drain elbow
02-0540-00	Scoop
KLP2E	Enamel leg kit

* Order gasket by the foot.

CME1056 Service Parts Single Phase Wiring Diagram, Series

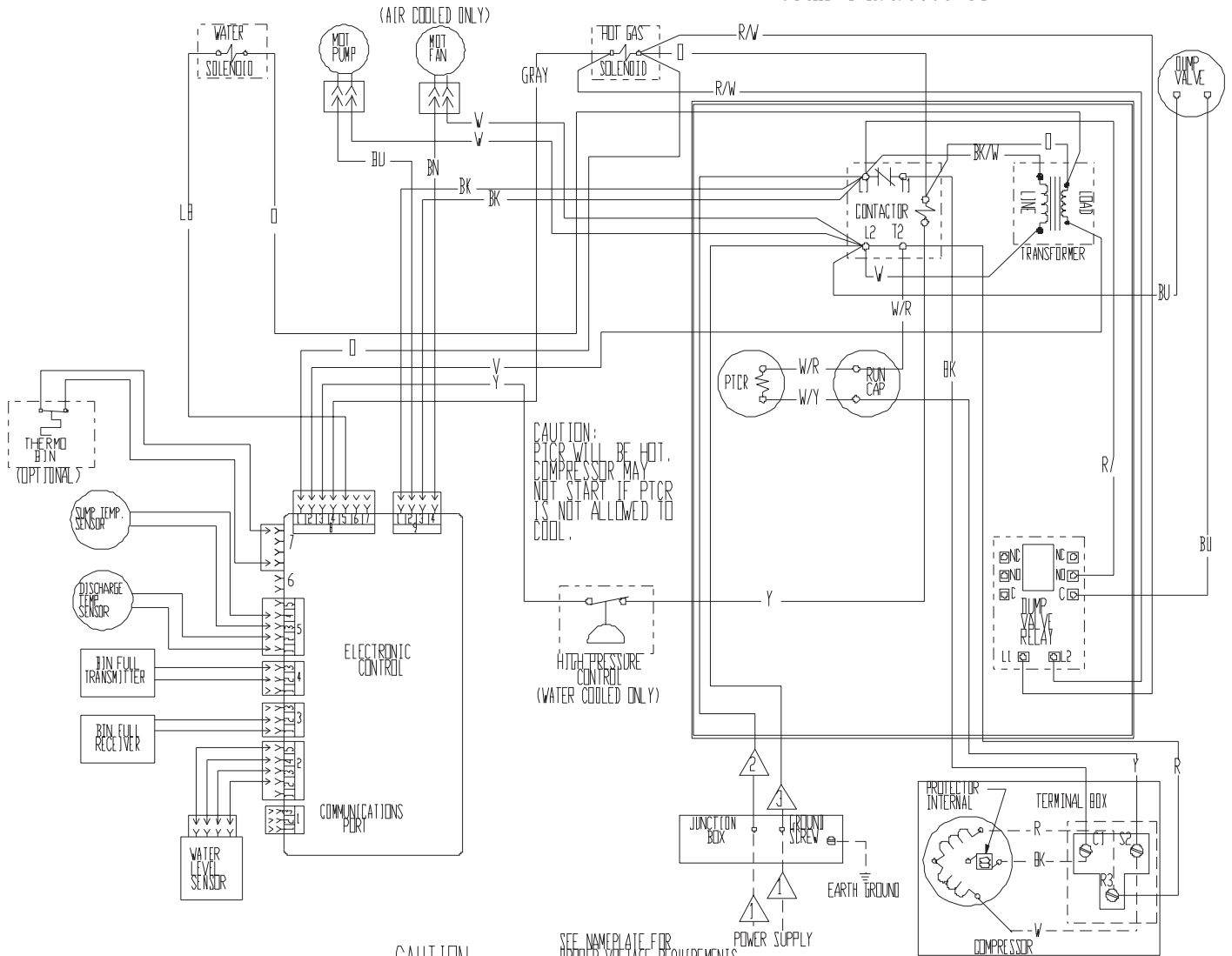
vsezip.ru

+7(812)987-08-81

17-2814-01

USE COPPER CONDUCTORS ONLY

- ⚠ DASHED LINES INDICATE FIELD WIRING WHICH MUST BE INSTALLED IN ACCORDANCE WITH THE NATIONAL ELECTRICAL CODE AND ALL STATE AND LOCAL CODES
- ⚠ WIRE COLOR FOR 208-230/60/1 UNITS: BLACK
- ⚠ WIRE COLOR FOR 230/50/1 UNITS: BLUE
- ⚠ WIRE COLOR FOR 208-230/60/1 UNITS: BLACK W/ WHITE STRIPE
- ⚠ WIRE COLOR FOR 230/50/1 UNITS: BROWN



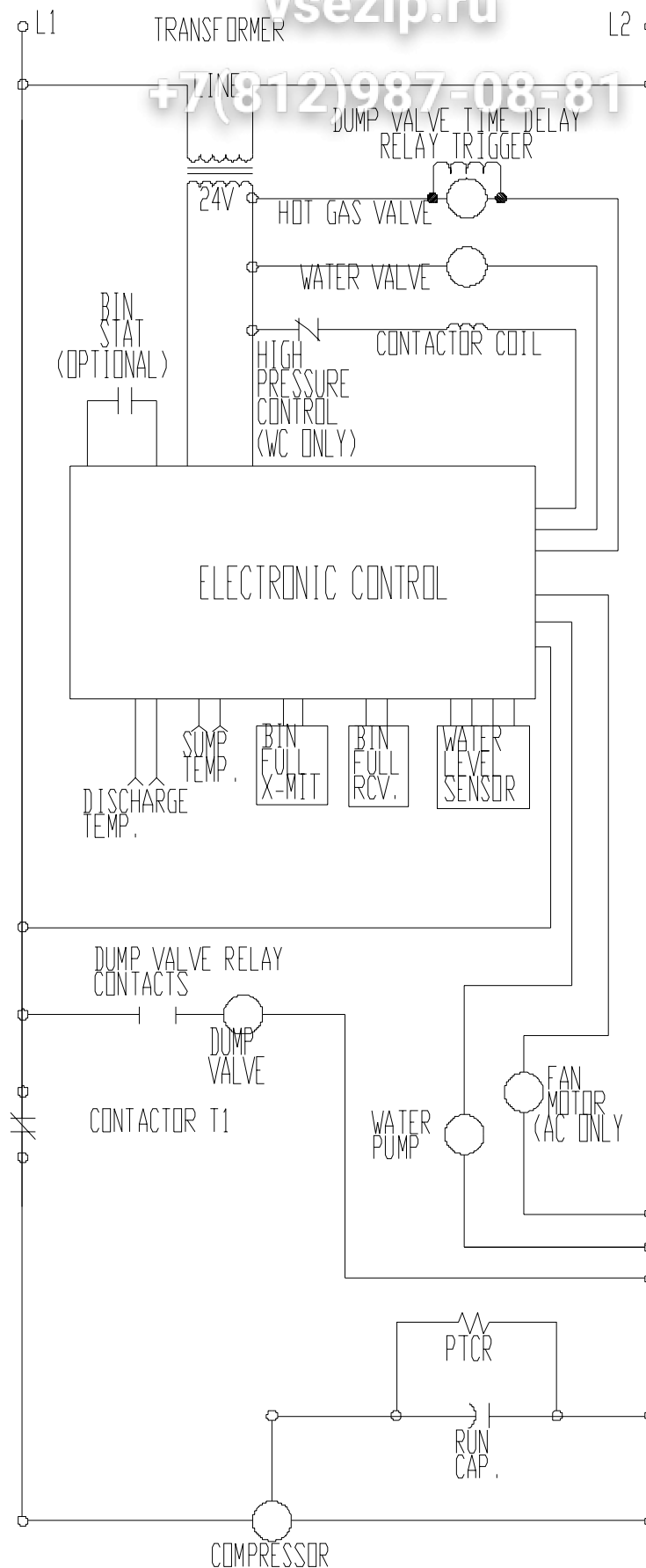
CAUTION:
PTCR WILL BE HOT.
COMPRESSOR MAY
NOT START IF PTCR
IS NOT ALLOWED TO
COOL.

HIGH PRESSURE
CONTROL
(WATER COOLED ONLY)

CAUTION:
SEE NAMEPLATE FOR
PROPER VOLTAGE REQUIREMENTS
AND MAXIMUM FUSE SIZE.
MORE THAN ONE DISCONNECT MEANS MAY BE
REQUIRED TO DISCONNECT ALL POWER TO THIS UNIT.

THIS UNIT MUST
BE GROUNDED.

CME1056 Service Parts Single Phase Schematic Diagram, D-F Series



CME1056 Service Parts

Three Phase Wiring Diagram, D-17 Series

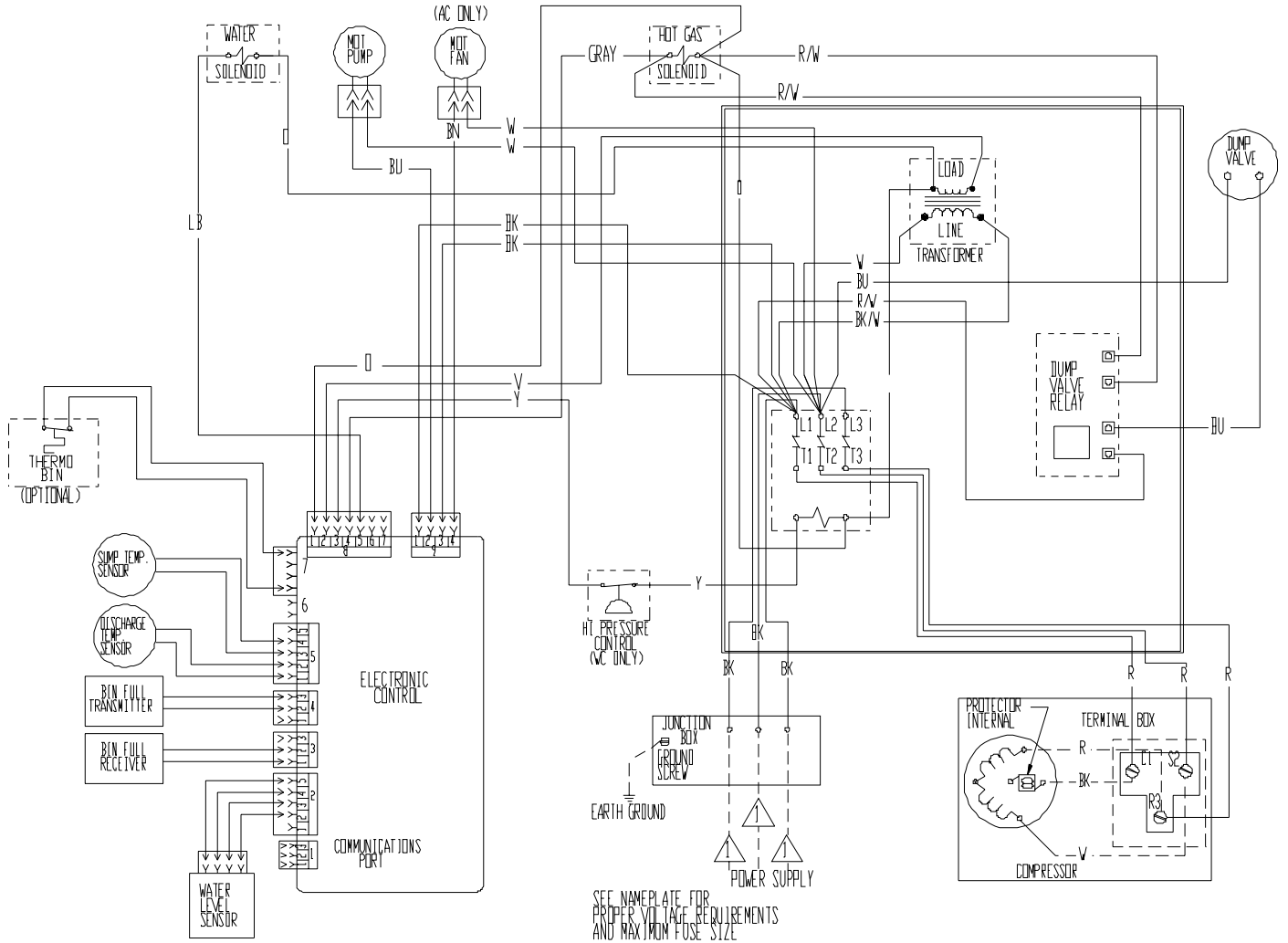
vsezip.ru

+7(812)987-08-81

17-2800-01

USE COPPER CONDUCTORS ONLY

△ DASHED LINES INDICATE FIELD WIRING WHICH MUST BE INSTALLED IN ACCORDANCE WITH THE NATIONAL ELECTRICAL CODE AND ALL STATE AND LOCAL CODES.



THIS UNIT MUST BE GROUNDED.

CAUTION: MORE THAN ONE DISCONNECT MEANS MAY BE REQUIRED TO DISCONNECT ALL POWER TO THIS UNIT.

CME1056 Service Parts Single Phase Wiring Diagram, A Series

vsezip.ru

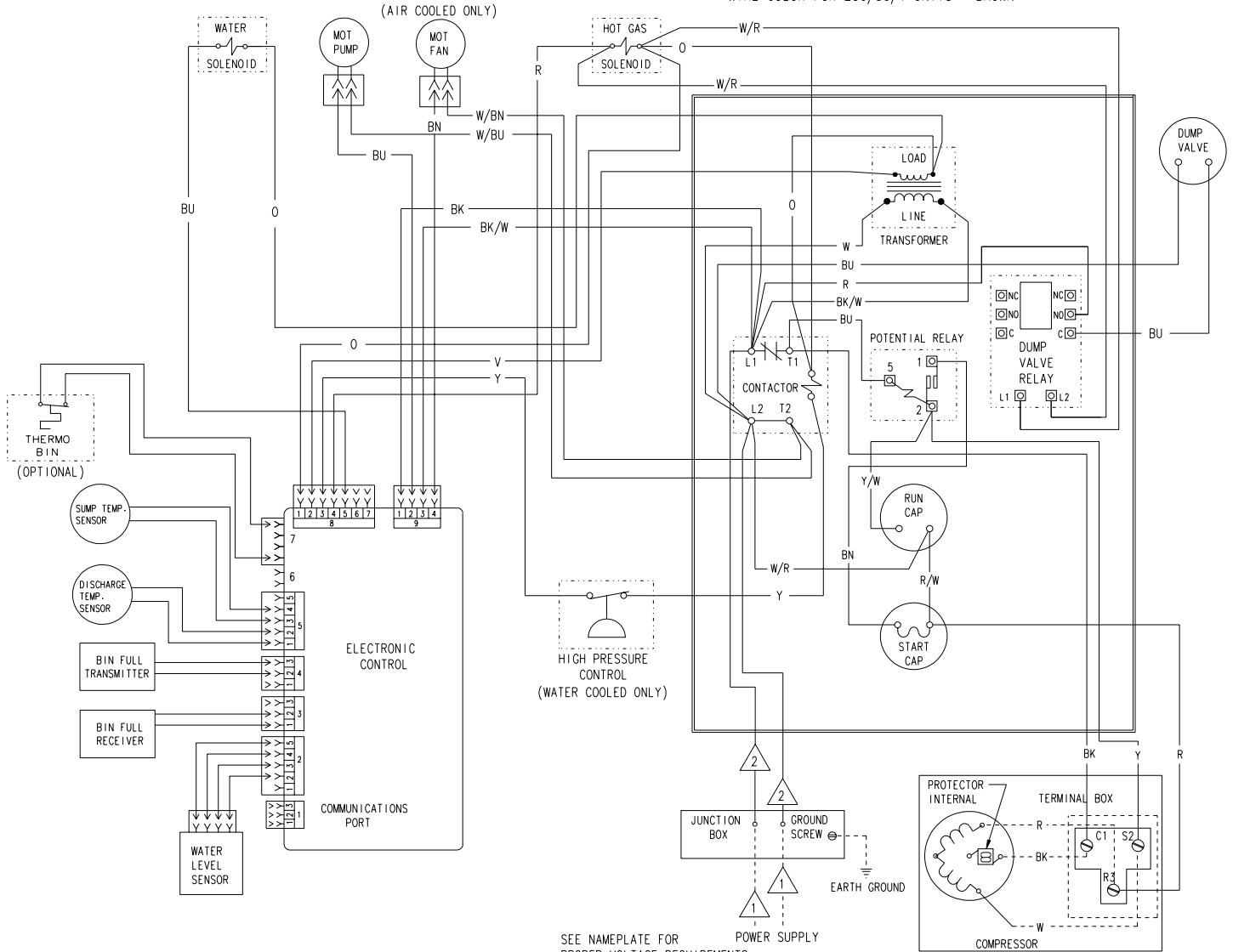
+7(812)987-08-81

17-2584-01

USE COPPER CONDUCTORS ONLY

⚠ DASHED LINES INDICATE FIELD WIRING WHICH MUST BE INSTALLED IN ACCORDANCE WITH THE NATIONAL ELECTRICAL CODE AND ALL STATE AND LOCAL CODES.

⚠ WIRE COLOR FOR 208-230/60/1 UNITS : BLACK
WIRE COLOR FOR 230/50/1 UNITS : BROWN



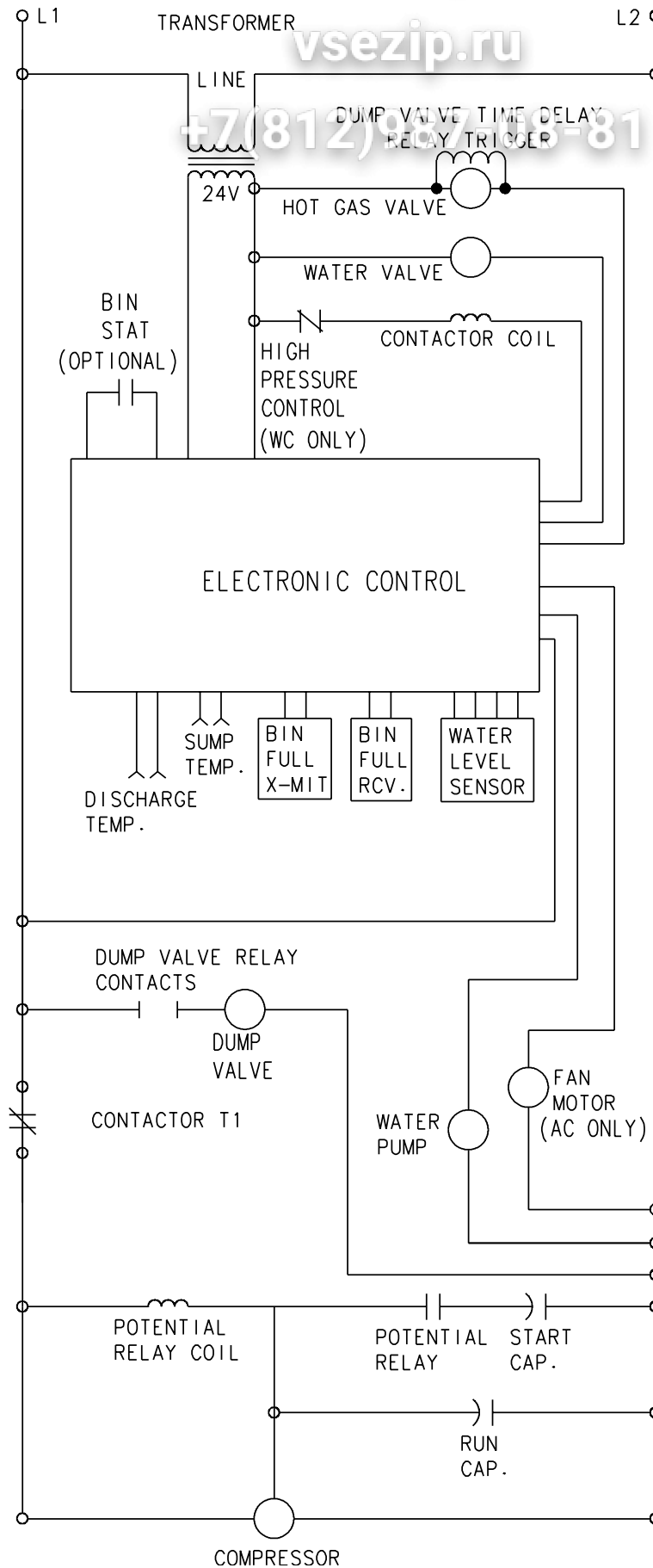
THIS UNIT MUST BE GROUNDED.

CAUTION: MORE THAN ONE DISCONNECT MEANS MAY BE REQUIRED TO DISCONNECT ALL POWER TO THIS UNIT.

SEE NAMEPLATE FOR PROPER VOLTAGE REQUIREMENTS AND MAXIMUM FUSE SIZE

CME1056 Service Parts

Single Phase Schematic Diagram, A Series



CME1056 Service Parts Three Phase Wiring Diagram, A Series

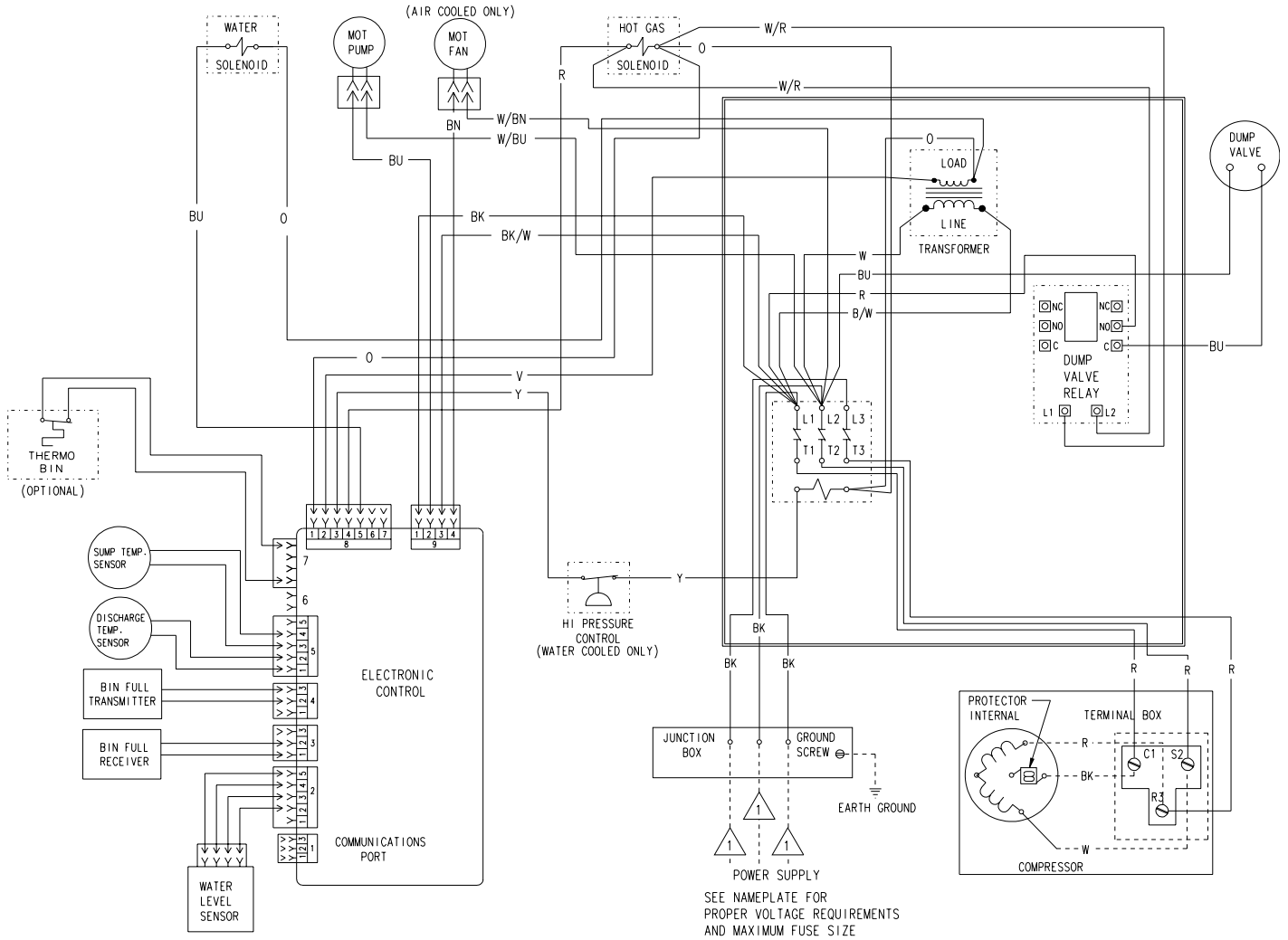
vsezip.ru

+7(812)987-08-81

17-2586-03

USE COPPER CONDUCTORS ONLY

⚠ DASHED LINES INDICATE FIELD WIRING WHICH MUST BE INSTALLED IN ACCORDANCE WITH THE NATIONAL ELECTRICAL CODE AND ALL STATE AND LOCAL CODES.



CAUTION:
THIS UNIT MUST BE GROUNDED. MORE THAN ONE DISCONNECT MEANS MAY BE REQUIRED TO DISCONNECT ALL POWER TO THIS UNIT.

CME1056 Service Parts

Three Phase Schematic Diagram

