

Зип-Общепит

BAR - LINE

vsezip.ru

+7(812)987-08-81

**SPARE PARTS LIST
CATALOGO RICAMBI
CATALOGUES PIÈCES DÉTACHÉES
ERSATZTEILENKATALOG**

20 - 30

40 - 50

65 - 90

R 134 A

Cubers

**Fabbricatori
di ghiaccio a cubetti**

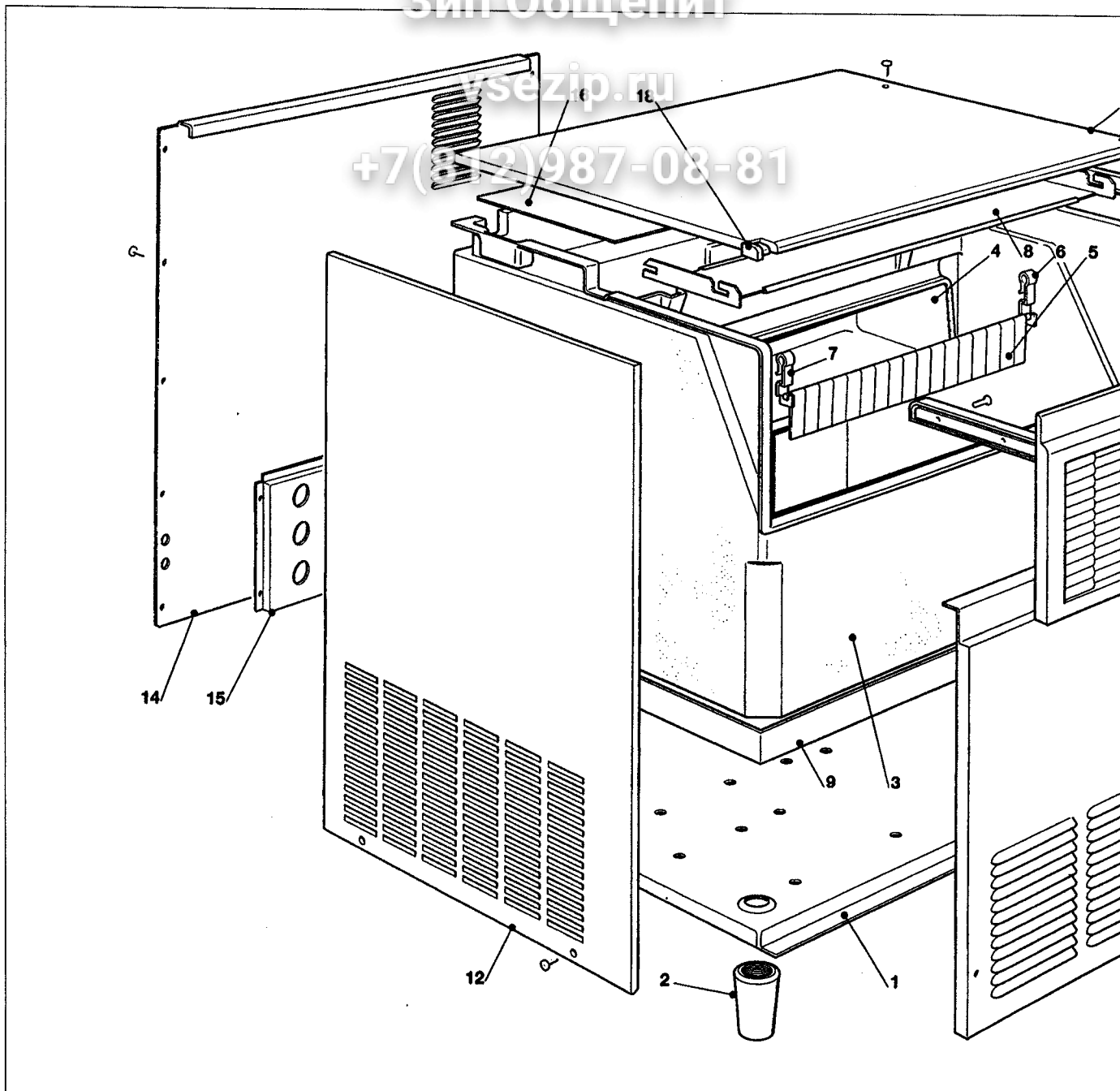
Machines á glaçons

Kegeleisbereiter

Зип Общепит

ysezip.ru

+7(812)987-08-81



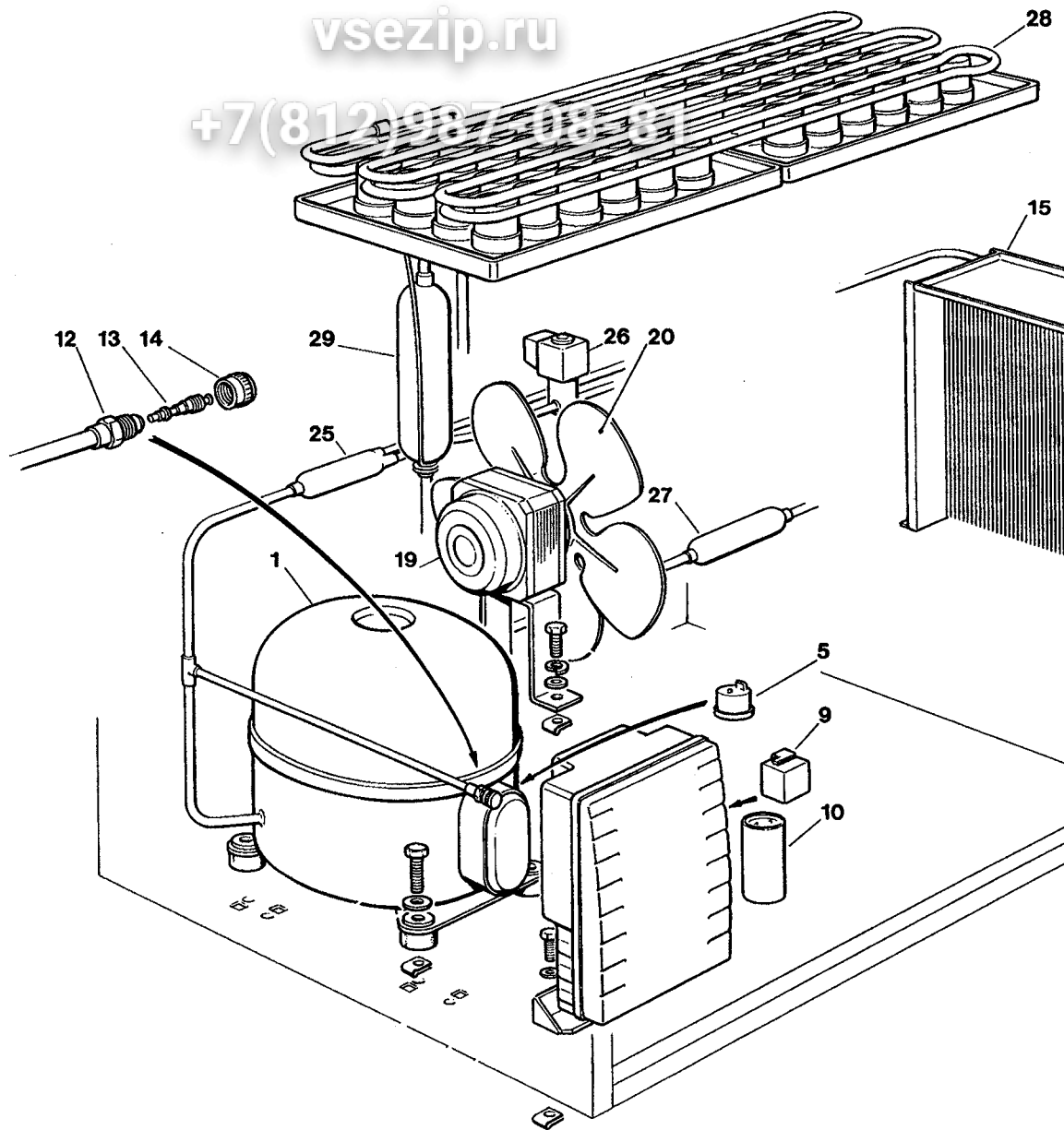
50 - 65 - 90 - UNIT PANELS - ASSIEME MOBILE - ENS. CARROSSERIE - MACH

ITEM NO POS NO REF. NO REF. NO	PART NO - CODICE REFERENCE - TUECK NR		DESCRIPTION	DESCRIZIONE	DESIGNATION
	50	65 - 90			
1	781406 05R	781406 02 R	UNIT BASE	BASAMENTO	BASEMENT
2	660638 00		LEGS	PIEDINI	PIEDS
3-4	782096 03R	782088 02 R	INSULATED STORAGE BIN	CELLA ISOLATA	CABINE STOCKAGE ISOLE
5	784457 04R	784457 02 R	CURTAIN ASSY	ASSIEME TENDINA	ENSAMBLE RIDEAU
6	660388 01		CURTAIN BRACKET RIGHT	SUPPORTO TENDINA DX	SUPPORT RIDEAU DROIT
7	660388 00		CURTAIN BRACKET LEFT	SUPPORTO TENDINA SX	SUPPORT RIDEAU GAUCHE
8	721679 01	721679 00	METAL PLATE	DISTANZIALE IN ACC. INOX	PLAQUE EN ACIER INOX
9	702254 01	702231 00	METAL BRACKET	SUPPORTO IN METALLO	SUPPORT
10	721769 00	721644 00	FRONT PANEL	PANNELLO FRONTALE	PANNEAU AVANT
11	782091 16R 660616 00	782091 04 R 660616 00	BIN DOOR ASSY DOOR RACK	ASSIEME SPORTELLA CREMAGLIERA	ENSAMBLE PORTE CABIN CREMAGLIERA
12	721754 00	721642 00	LEFT SIDE PANEL	PANNELLO SX	PANNEAU GAUCHE
13	721753 00	721643 00	RIGHT SIDE PANEL	PANNELLO DX	PANNEAU DROITE
14	702293 00	702201 00	REAR PANEL	PANNELLO POSTERIORE	PANNEAU ARRIERE
15	702248 01	702180 00	METAL BRACKET FOR FITTINGS	SUPPORTO ATTACCHI	SUPPORT DE RACCORD
16	741075 02	741075 00	EVAPORATOR COVER	COPERCHIO EVAPORATORE	COUVERCLE EVAPORATEUR
17	781395 38R	781395 15 R	TOP PANEL	PANNELLO SUPERIORE	PANNEAU SUPERIEURE
18	660528 01		PLASTIC PLUG LEFT	TAPPO IN PLASTICA SX	CAPUCHON EN PLASTIQUE
19	660528 00		PLASTIC PLUG RIGHT	TUBO IN PLASTICA DX	CAPUCHON EN PLASTIQUE

Зип-Общепит

vsezip.ru

+7(812)987-08-81



3ip Общепит
vsezip.ru
+7(812)987-08-81

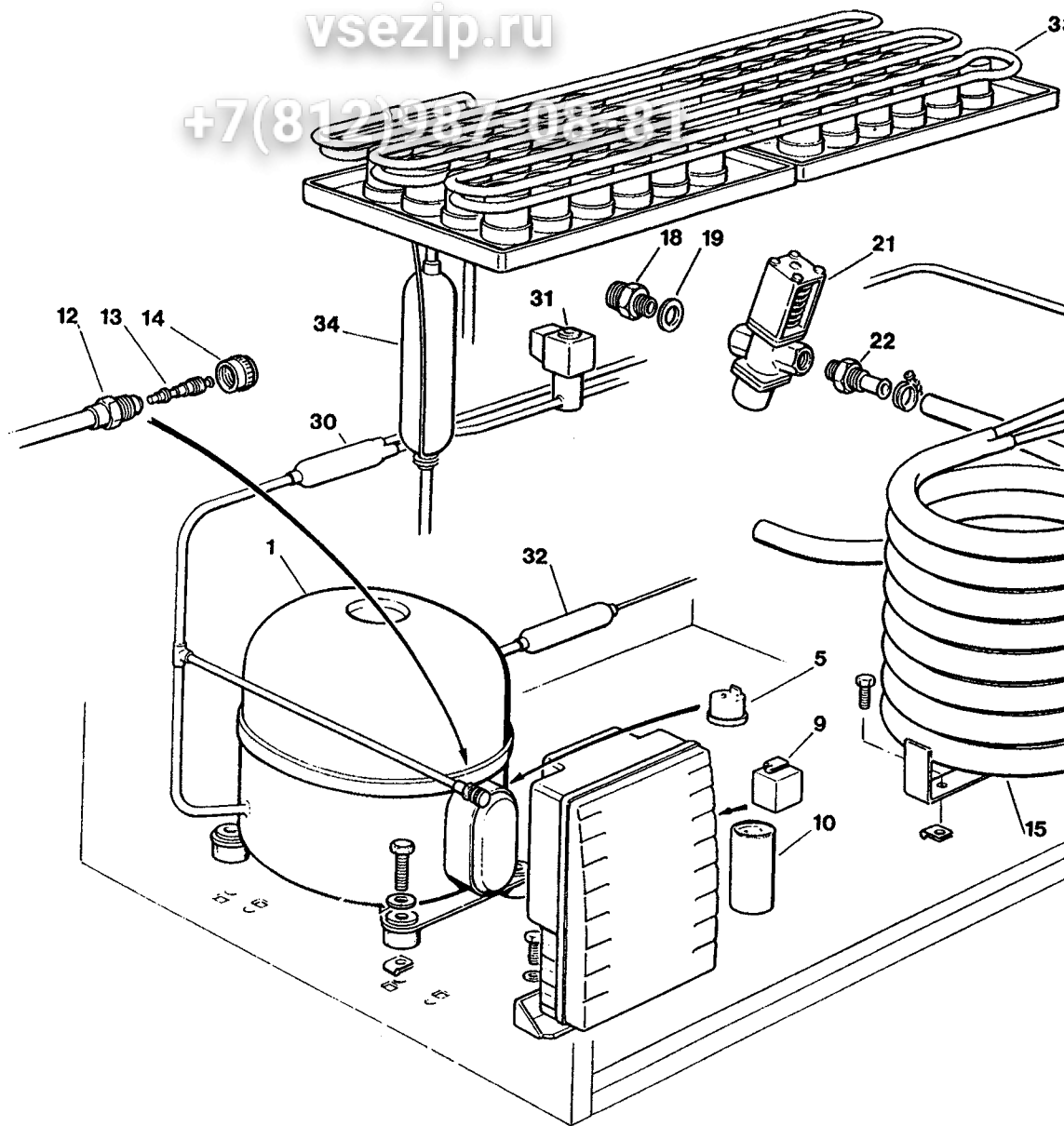
**65 - 90 - REFRIGERANT SYSTEM AIR COOLED - SISTEMA REFRIGERANTE RAFFREDDAMENTO AER
CIRCUIT FRIGORIFIQUE REFROID. PAR AIR - LUFTGEKÜHLT GEFRIERSYSTEM**

ITEM NO POS NO REP. NO REF NO	PART NO CODICE REFERENCE STUECK NR		DESCRIPTION	DESCRIZIONE	DESIGNATION
	65	90			
1	670399 02 670399 07	670099 03 670099 08	COMPRESSOR ASSY - 230/50/1 COMPRESSOR ASSY - 230/60/1	ASSIEME COMPRESSORE - 230/50/1 ASSIEME COMPRESSORE - 230/60/1	ENSAMBLE COMPRESSEUR ENSAMBLE COMPRESSEUR
5	620358 39 620358 78	620058 42 620058 79	PROTECTOR - 230/50/1 PROTECTOR - 230/60/1	PROTETTORE - 230/50/1 PROTETTORE - 230/60/1	PROTECTEUR - 230/50/1 PROTECTEUR - 230/60/1
9	620057 44 620057 48	620057 45 620057 45	RELAY - 230/50/1 RELAY - 230/60/1	RELE - 230/50/1 RELE - 230/60/1	RELAIS - 230/50/1 RELAIS - 230/60/1
10	620167 01 620167 49	620167 52	START CAPACITOR - 230/50/1 START CAPACITOR - 230/60/1	CONDENSATORE D'AVVIAMENTO - 230/50/1 CONDENSATORE D'AVVIAMENTO - 230/60/1	CAPACITE DE DEMARRAGE CAPACITE DE DEMARRAGE
12	650109 00		VALVE BODY	CORPO VALVOLA	CORPS DE VANNE
13	670012 00		VALVE PISTON	PISTONCINO VALVOLA	PISTON
14	650106 00		VALVE CAP	CAPPUCCIO VALVOLA	CAPUCHON DE VANNE
15	620405 00	620440 00	AIR COOLED CONDENSER	CONDENSATORE AD ARIA	CONDENSEUR A AIR
19	620419 02	620419 04	FAN MOTOR	MOTORE VENTILATORE	MOTEUR DU VENTILATEUR
20	620419 33		FAN BLADE	VENTOLA	HELICE
25	630020 01		MECHANICAL FILTER	FILTRO MECCANICO	FILTRE MECANIQUE
26	620306 27 620306 48	620306 46	HOT GAS VALVE BODY HOT GAS VALVE COIL	CORPO VALVOLA GAS CALDO BOBINA VALVOLA GAS CALDO	CORP VANNE GAZ CHAUD BOBINE VANNE GAZ CHAUD
27	630003 06	630003 06	DRIER	FILTRO DEUMIDIFICATORE	FILTRE DESHYDRATEUR
28	734263 07 734263 09	784263 07 784263 09	EVAPORATOR ASSY - M EVAPORATOR ASSY - L	ASSIEME EVAPORATORE - M ASSIEME EVAPORATORE - L	ENSAMBLE EVAPORATEUR ENSAMBLE EVAPORATEUR
29	734444 06	784444 08	SUCTION LINE/ACCUMULATOR	ACCUMUL. E LINEA ASPIRAZIONE	ENS. ASPIRATION/ACCUMUL.

Зип Ощепит

vsezip.ru

+7(812)987-08-81



Зип Общепит
vsezip.ru
+7(812)987-08-81

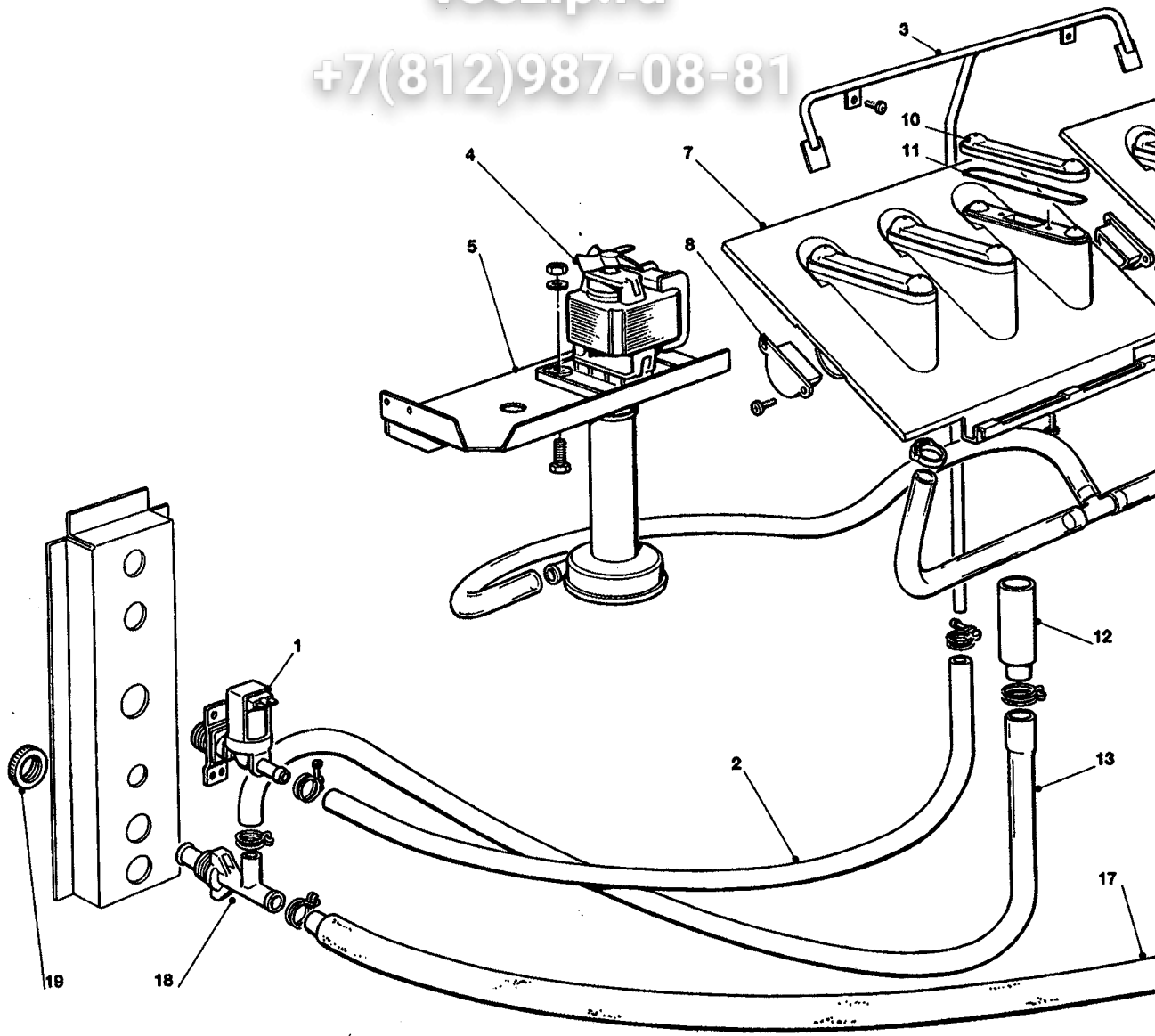
**65 - 90 - REFRIGERANT SYSTEM WATER COOLED - SISTEMA REFRIGERANTE RA
CIRCUIT FRIGORIFIQUE REFRROID. PAR EAU - WASSERGEKÜHLT GEFRIERS**

ITEM NO POS NO REP. NO REF. NO	PART NO CODICE REFERENCE STUECK NR		DESCRIPTION	DESCRIZIONE	DESIGNATION
	65	90			
1	670099 02 670099 07	670099 03 670099 08	COMPRESSOR ASSY - 230/50/1 COMPRESSOR ASSY - 230/60/1	ASSIEME COMPRESSORE - 230/50/1 ASSIEME COMPRESSORE - 230/60/1	ENSAMBLE COMPRESSEUR ENSAMBLE COMPRESSEUR
5	620058 39 620058 78	620058 42 620058 79	PROTECTOR - 230/50/1 PROTECTOR - 230/60/1	PROTETTORE - 230/50/1 PROTETTORE - 230/60/1	PROTECTEUR - 230/50/1 PROTECTEUR - 230/60/1
9	620057 44 620057 48	620057 45 620057 45	START RELAY - 230/50/1 START RELAY - 230/60/1	RELE DI AVVIAMENTO - 230/50/1 RELE DI AVVIAMENTO - 230/60/1	RELAIS DE DEMARRAGE - RELAIS DE DEMARRAGE -
10	620167 01 620167 49	620167 52	START CAPACITOR - 230/50/1 START CAPACITOR - 230/60/1	CAPACITA D'AVVIAMENTO - 230/50/1 CAPACITA D'AVVIAMENTO - 230/60/1	CAPACITE DE DEMARRAGE CAPACITE DE DEMARRAGE
12	650109 00		VALVE BODY	CORPO VALVOLA	CORPS DE VANNE
13	670012 00		VALVE PISTON	PISTONCINO VALVOLA	PISTON
14	650106 00		VALVE CAP	CAPPUCCIO VALVOLA	CAPUCHON DE VANNE
15	620389 01	620331 00	WATER COOLED CONDENSER	CONDENSATORE AD ACQUA	CONDENSEUR A EAU
18	400053 00		NUT	DADO	ECROU
19	400052 00		FIBER WASHER	RONDELLA IN FIBRA	RONDELLE EN FIBRE
21	620111 00		WATER REGULATING VALVE	VALVOLA PRESSOSTATICA	VANNE A EAU PRESSOSTATICA
22	733094 03		REGULATING VALVE OUTLET FITTING	RACCORDO USCITA VALVOLA PRESS.	RACCORD SORTIE VANNE
24	281900 01		PLASTIC TUBE-PER METER	TUBO IN PLASTICA-PER METRO	TUYAU EN PLASTIQUE-PER
29	281900 01		PLASTIC TUBE-PER METER	TUBO IN PLASTICA-PER METRO	TUYAU EN PLASTIQUE-PER
30	630020 01		MECHANICAL FILTER	FILTRO MECCANICO	FILTRE MECHANIQUE
31	620306 27 620306 48	620306 46	HOT GAS VALVE BODY HOT GAS VALVE COIL	CORPO VALVOLA GAS CALDO BOBINA VALVOLA GAS CALDO	CORP VANNE GAZ CHAUD BOBINE VANNE GAZ CHAUD
32	620003 06		DRIER	FILTRO DEUMIDIFICATORE	FILTRE DESHYDRATEUR
33	784263 07 784263 09		EVAPORATOR ASSY - M EVAPORATOR ASSY - L	ASSIEME EVAPORATORE - M ASSIEME EVAPORATORE - L	ENSAMBLE ÉVAPORATEUR ENSAMBLE ÉVAPORATEUR
34	784444 06	784444 08	SUCTION LINE/ACCUMULATOR	ACCUMUL. E LINEA ASPIRAZIONE	ENS. ASPIRATION/ACCUMULAT

Зип Ощепит

vsezip.ru

+7(812)987-08-81



65 - 90 - WATER SYSTEM - CIRCUITO IDRAULICO - CIRCUIT HYDRAULIQUE - W

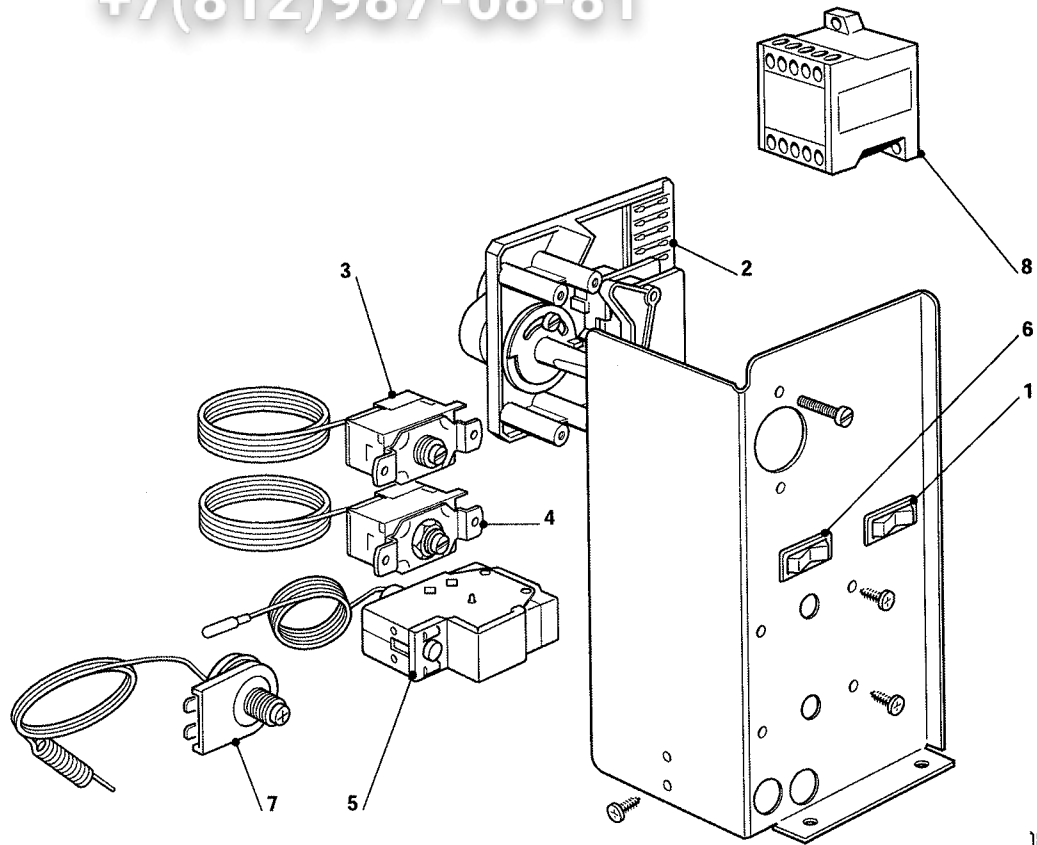
vsezip.ru

ITEM NO POS NO REP. NO REF. NO	PART NO CODICE REFERENCE STUECK NR	DESCRIPTION	DESCRIZIONE	DESIGNATION
1	650105 52	WATER INLET VALVE	VALVOLA INGRESSO ACQUA	VANNE ARRIVÉE D'EAU
2	281900 01	WATER INLET TUBE-PER METER	TUBO INGRESSO ACQUA-PER METRO	TUYAU ARRIVÉE D'EAU-P
3	660537 00	WATER DISTRIBUTOR TUBE	TUBO DISTRIBUTORE D'ACQUA	TUYAU DISTRIBUTEUR EA
4	620430 03 620430 05	WATER PUMP ASSY - 230/50/1 WATER PUMP ASSY - 230/60/1	ASSIEME POMPA - 230/50/1 ASSIEME POMPA - 230/60/1	ENSAMBLE POMPE A EAU ENSAMBLE POMPE A EAU
5	723157 00	PUMP MOTOR BRACKET	SUPPORTO POMPA	SUPPORT METALLIQUE P
6	610186 01	WATER TUBE - PUMP TO SPRAY SYSTEM	TUBO MANDATA POMPA	TUYAU - POMPE PLAQUE D
7	793129 01 794294 00 R	SPRAY PLATEN ASSY - M SPRAY PLATEN ASSY - L	ASSIEME PIASTRA SPRUZZANTE - M ASSIEME PIASTRA SPRUZZANTE - L	ENS. PLAQUE PULVERISAT ENS. PLAQUE PULVERISAT
8	660520 03	PLASTIC PLUG - M	TAPPO IN PLASTICA - M	BOUCHON EN PLASTIQUE
9	660520 02	PLASTIC PLUG - M	TAPPO IN PLASTICA - M	BOUCHON EN PLASTIQUE
10	660519 01 660558 00	PLASTIC COVER - M SPRAY JET - L	COPERCHIO IN PLASTICA - M SPRUZZATORE SINGOLO - L	COUVERCLE EN PLASTIQ GICLÉUR - L
11	640041 20	O RING	GUARNIZIONE OR	JOINT TORIQUE
12	281720 06	OVERFLOW STAND PIPE	TUBO TROPPO PIENEO	TUYAU TROP PLEIN
13	610176 01	DRAIN TUBE - OVERFLOW	TUBO SCARICO T. P.	TUYAU EVACUATION T. P
14	660211 01	DRAIN FILTER	FILTRO SCARICO ACQUA	FILTRE EVACUATION EAU
15	640134 00	O RING	GUARNIZIONE O R	JOINT TORIQUE
16	660219 01	DRAIN FITTING	RACCORDO DI SCARICO	RACCORD EVACUATION
17	610148 10	WATER DRAIN TUBE	TUBO SCARICO ACQUA	TUYAU ÉVACUATION EAU
18	660224 00	DRAIN T FITTING	RACCORDO DI SCARICO	RACCORD T D'EVACUATI
19	660535 00	PLASTIC RING NUT	GHIERA IN PLASTICA	COLLIER DE SERRAGE EN

Зип Общепит

vsezip.ru

+7(812)987-08-81



Зип-Общепит

vsezip.ru

50 - 65 - 90 - CONTROL BOX - SCATOLA DI CONTROLLO - BOITE ELECTRIQUE - S

ITEM NO POS NO REP. NO REF. NO	PART NO CODICE REFERENCE STUECK NR		DESCRIPTION	DESCRIZIONE	DESIGNATION
	50	65 - 90			
1	620242 02	620242 02	SWITCH	INTERRUTTORE LUMINOSO	INTERRUPTEUR LUMINEU
2	620441 00	620441 02	TIMER	TIMER	MINUTERIE
3	620201 01	620201 01	EVAPORATOR THERMOSTAT	TERMOSTATO EVAPORATORE	THERMOSTAT EVAPORAT
4	620209 00	620209 00	BIN THERMOSTAT	TERMOSTATO CONTENITORE	THERMOSTAT CONTENEU
5	620075 00	620075 00	PRESSURE CONTROL	PRESSOSTATO	PRESSOSTAT
6	620442 01	620442 01	SWITCH	COMMUTATORE	INTERRUPTEUR
7	620443 00	620443 00	SAFETY THERMOSTAT	TERMOSTATO DI SICUREZZA	THERMOSTAT DE SECUR
8	***	630119 02	CONTACTOR	TELERUTTORE	CONTACTEUR

+7(812)987-08-81