

Зип-Общепит

BAR - LINE

vsezip.ru

+7(812)987-08-81

**SPARE PARTS LIST
CATALOGO RICAMBI
CATALOGUES PIÈCES DÉTACHÉES
ERSATZTEILENKATALOG**

20 - 30

40 - 50

65 - 90

R 134 A

Cubers

**Fabbricatori
di ghiaccio a cubetti**

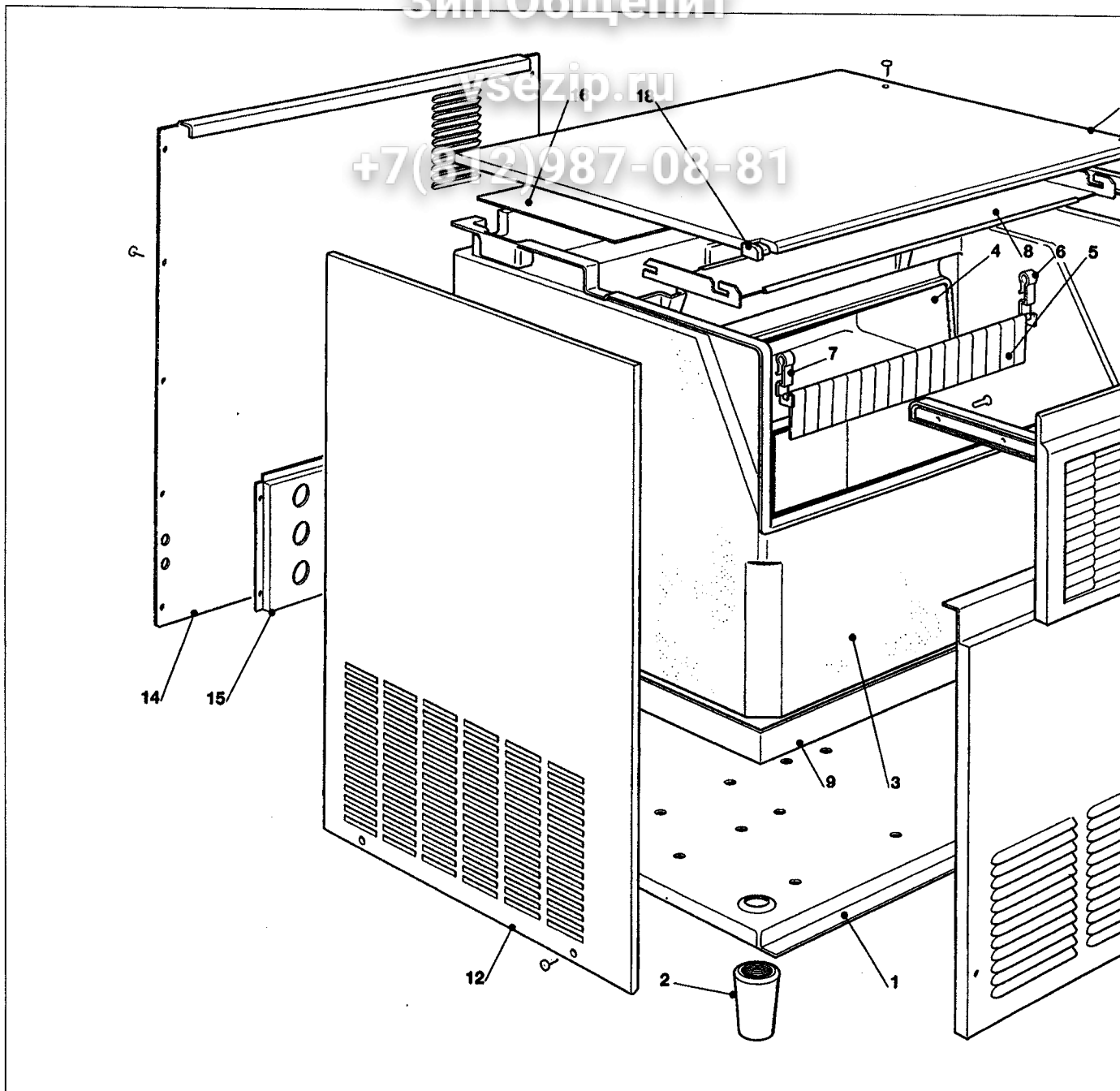
Machines á glaçons

Kegeleisbereiter

Зип Оффсепит

zip.ru

+7(812)987-08-81



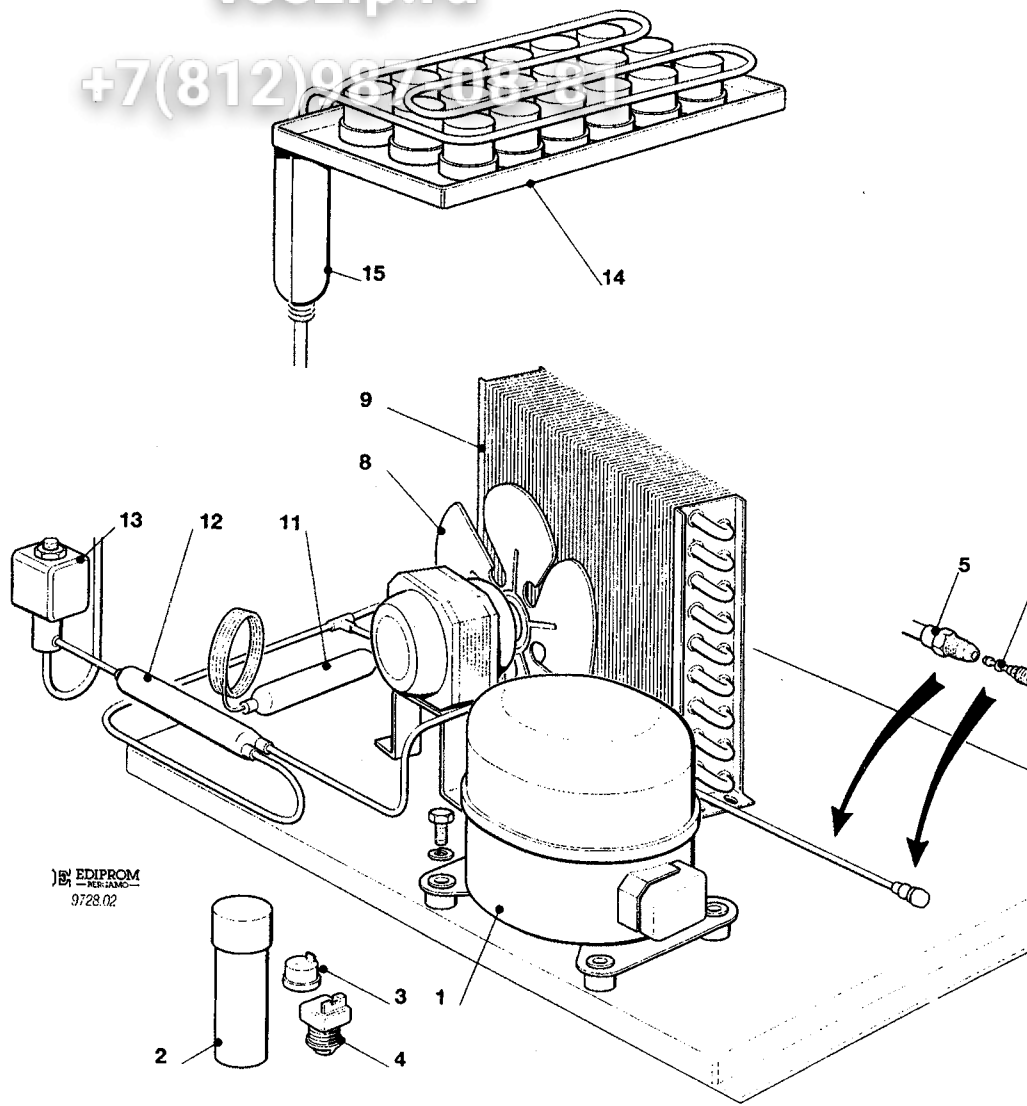
50 - 65 - 90 - UNIT PANELS - ASSIEME MOBILE - ENS. CARROSSERIE - MACH

ITEM NO POS NO REF. NO REF. NO	PART NO - CODICE REFERENCE - TUECK NR		DESCRIPTION	DESCRIZIONE	DESIGNATION
	50	65 - 90			
1	781406 05R	781406 02 R	UNIT BASE	BASAMENTO	BASEMENT
2	660638 00		LEGS	PIEDINI	PIEDS
3-4	782096 03R	782088 02 R	INSULATED STORAGE BIN	CELLA ISOLATA	CABINE STOCKAGE ISOLE
5	784457 04R	784457 02 R	CURTAIN ASSY	ASSIEME TENDINA	ENSAMBLE RIDEAU
6	660388 01		CURTAIN BRACKET RIGHT	SUPPORTO TENDINA DX	SUPPORT RIDEAU DROIT
7	660388 00		CURTAIN BRACKET LEFT	SUPPORTO TENDINA SX	SUPPORT RIDEAU GAUCHE
8	721679 01	721679 00	METAL PLATE	DISTANZIALE IN ACC. INOX	PLAQUE EN ACIER INOX
9	702254 01	702231 00	METAL BRACKET	SUPPORTO IN METALLO	SUPPORT
10	721769 00	721644 00	FRONT PANEL	PANNELLO FRONTALE	PANNEAU AVANT
11	782091 16R 660616 00	782091 04 R 660616 00	BIN DOOR ASSY DOOR RACK	ASSIEME SPORTELLO CREMAGLIERA	ENSAMBLE PORTE CABIN CREMAILLERE
12	721754 00	721642 00	LEFT SIDE PANEL	PANNELLO SX	PANNEAU GAUCHE
13	721753 00	721643 00	RIGHT SIDE PANEL	PANNELLO DX	PANNEAU DROITE
14	702293 00	702201 00	REAR PANEL	PANNELLO POSTERIORE	PANNEAU ARRIERE
15	702248 01	702180 00	METAL BRACKET FOR FITTINGS	SUPPORTO ATTACCHI	SUPPORT DE RACCORD
16	741075 02	741075 00	EVAPORATOR COVER	COPERCHIO EVAPORATORE	COUVERCLE EVAPORATEUR
17	781395 38R	781395 15 R	TOP PANEL	PANNELLO SUPERIORE	PANNEAU SUPERIEURE
18	660528 01		PLASTIC PLUG LEFT	TAPPO IN PLASTICA SX	CAPUCHON EN PLASTIQUE
19	660528 00		PLASTIC PLUG RIGHT	TUBO IN PLASTICA DX	CAPUCHON EN PLASTIQUE

Зип Ощепит

vsezip.ru

+7(812)987-08-81



EDIPROM
9728.02

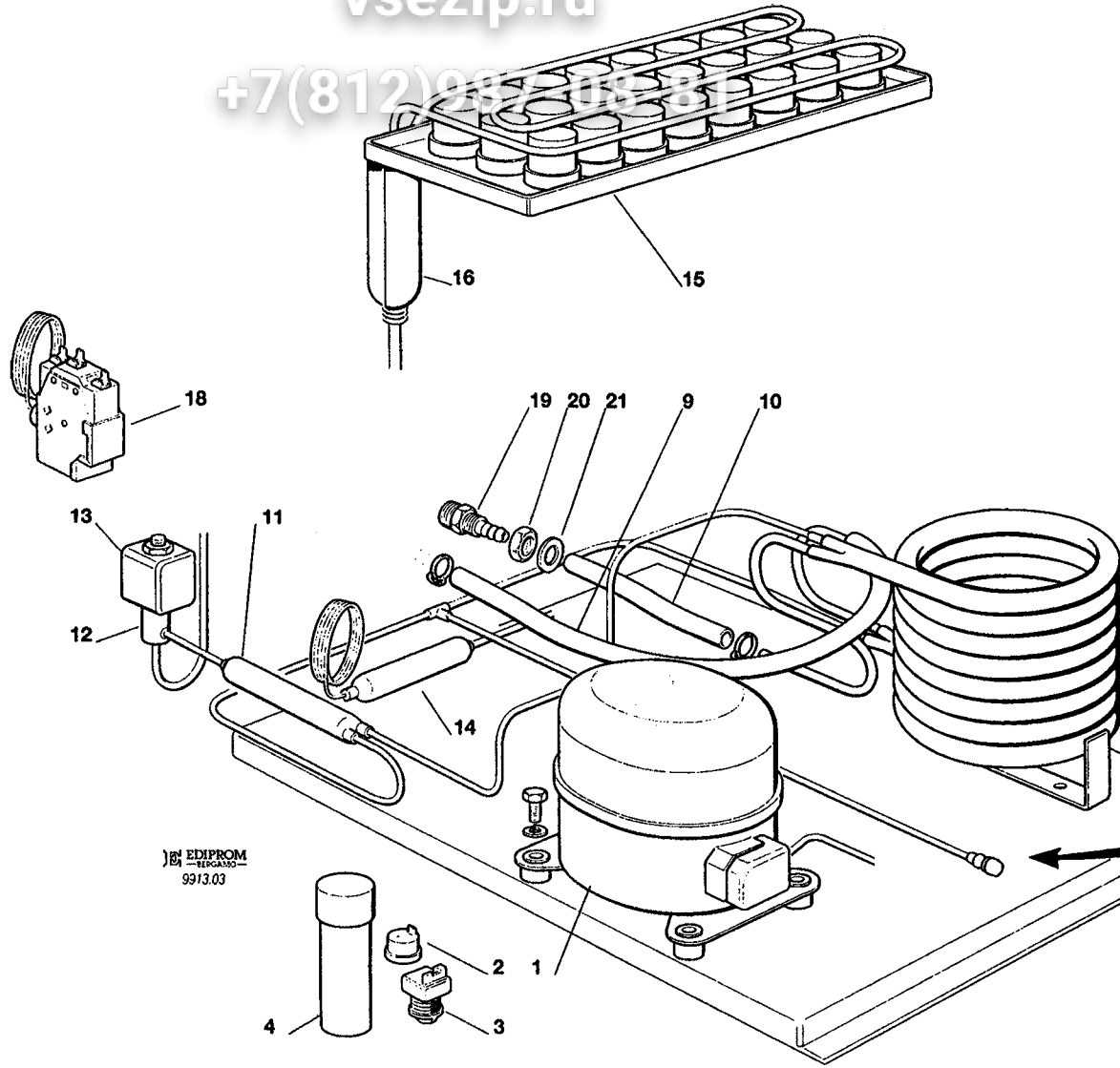
20 - 30 - 40 - 50 - REFRIGERANT SYSTEM AIR COOLED - SISTEMA REFRIGERANT
CIRCUIT FRIGORIFIQUE REFROID. PAR AIR - LUFTGEKÜHLT GEFRIERSYS

ITEM NO POS NO REP. NO REF. NO	PART. NO - CODICE REFERENCE - STUECK NR				DESCRIPTION	DESCRIZIONE	DESCRIZIONE
	20	30	40	50			
1	670097 08 670066 08	670100 00 670101 01	670101 00 670101 02	670100 01	COMPRESSOR ASSY - 230/50/1 COMPRESSOR ASSY - 230/60/1	ASSIEME COMPRESSORE - 230/50/1 ASSIEME COMPRESSORE - 230/60/1	ENSAMBLE COMPRESS ENSAMBLE COMPRESS
2	620167 29 620167 01	620167 29	620167 01 620167 01	620167 29	START CAPACITOR - 230/50/1 START CAPACITOR - 230/60/1	CONDENSATORE D'AVVIAMENTO - 230/50/1 CONDENSATORE D'AVVIAMENTO - 230/60/1	CAPACITE DE DEMARR CAPACITE DE DEMARR
3	620058 65 620058 74	620058 69 620058 86	620058 77 620058 80	620058 67	PROTECTOR - 230/50/1 PROTECTOR - 230/60/1	PROTETTORE - 230/50/1 PROTETTORE - 230/60/1	PROTECTEUR - 230 PROTECTEUR - 260
4	620057 35 620057 40	620057 31 620057 03	620057 42 620057 49	620057 56	RELAY - 230/50/1 RELAY - 230/60/1	RELE - 230/50/1 RELE - 230/60/1	RELAIS - 230/50/1 RELAIS - 230/60/1
5	650109 00				VALVE BODY	CORPO VALVOLA	CORPS DE VANNE
6	670012 00				VALVE PISTON	PISTONCINO VALVOLA	PISTON
7	650106 00				VALVE CAP	CAPPUCCIO VALVOLA	CAPUCHON DE VAN
8	620419 32	620419 02 620419 32	620419 33	620419 33	FAN MOTOR FAN BLADE	MOTORE VENTILATORE VENTOLA	MOTEUR DU VENTIL HELICE
9	620276 02	620420 00	620439 00	620455 00	AIR COOLED CONDENSER	CONDENSATORE AD ARIA	CONDENSEUR A AIR
11	630003 05				DRIER	FILTRO DEUMIDIFICATORE	FILTRE DESHYDRAT
12	630007 01	630007 01	630020 01	630137 01	MECHANICAL FILTER	FILTRO MECCANICO	FILTRE MECANIQUE
13	620306 22	620306 27 620306 48	620306 27	620306 27	HOT GAS VALVE BODY HOT GAS VALVE COIL	CORPO VALVOLA GAS CALDO BOBINA VALVOLA GAS CALDO	CORP VANNE GAZ BOBINE VANNE GAZ
14	784195 04 784195 06	784256 00 784415 01	784256 01 784415 00	784477 02	EVAPORATOR ASSY - M EVAPORATOR ASSY - L	ASSIEME EVAPORATORE - M ASSIEME EVAPORATORE - L	ENSAMBLE EVAPOF ENSAMBLE EVAPOF
15	784444 00	784444 01	784444 04	784444 10	SUCTION LINE/ACCUMULATOR	ACCUMUL. E LINEA ASPIRAZIONE	ENS. ASPIRATION/ACC

Зип-Общепит

vsezip.ru

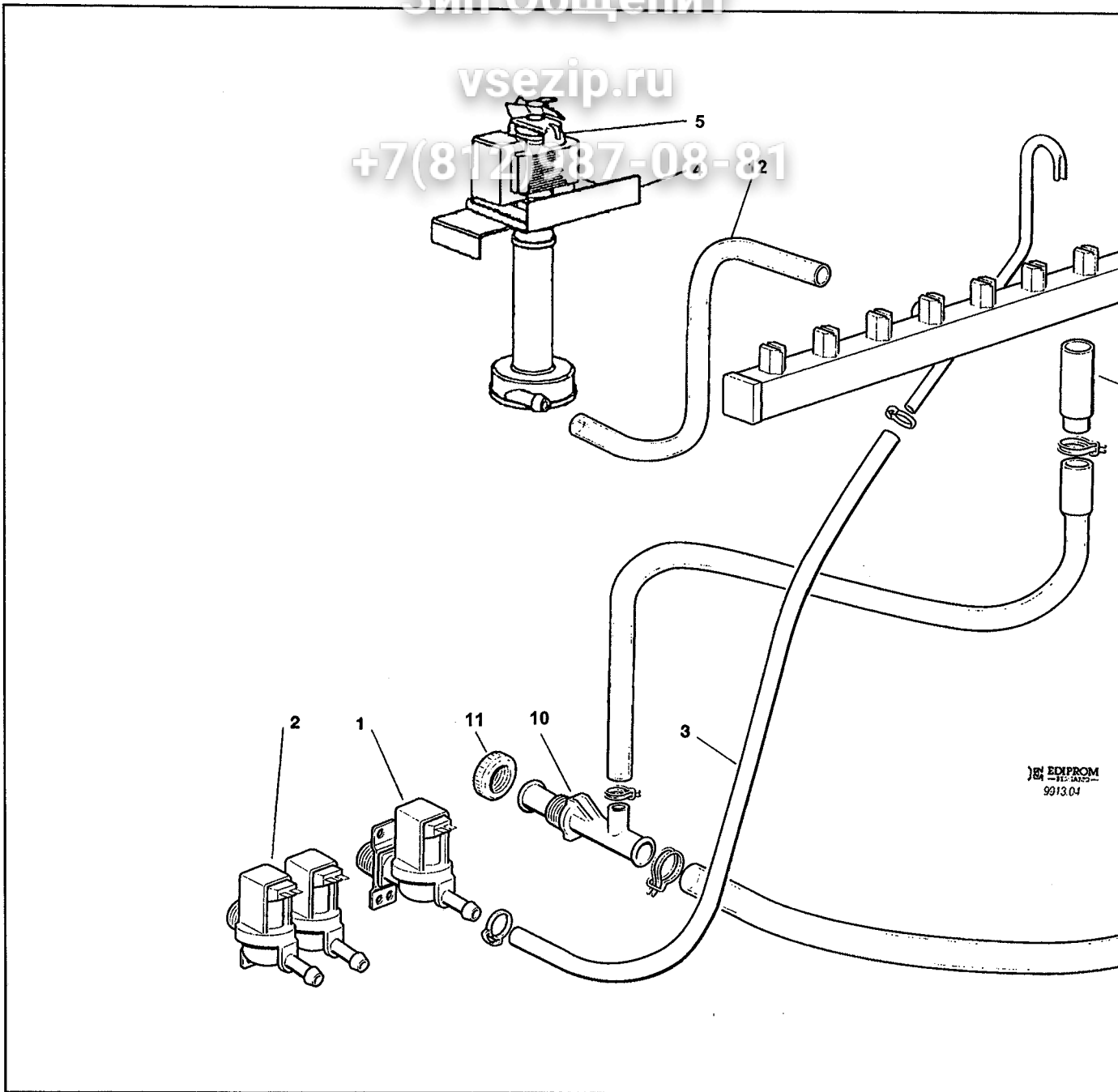
+7(812)287-08-81



Зип Общепит

vsezip.ru

+7(812)987-08-81



EDIPROM
9913.04

50 - WATER SYSTEM - CIRCUITO IDRAULICO - CIRCUIT HYDRAULIQUE - WASSE

vsezip.ru

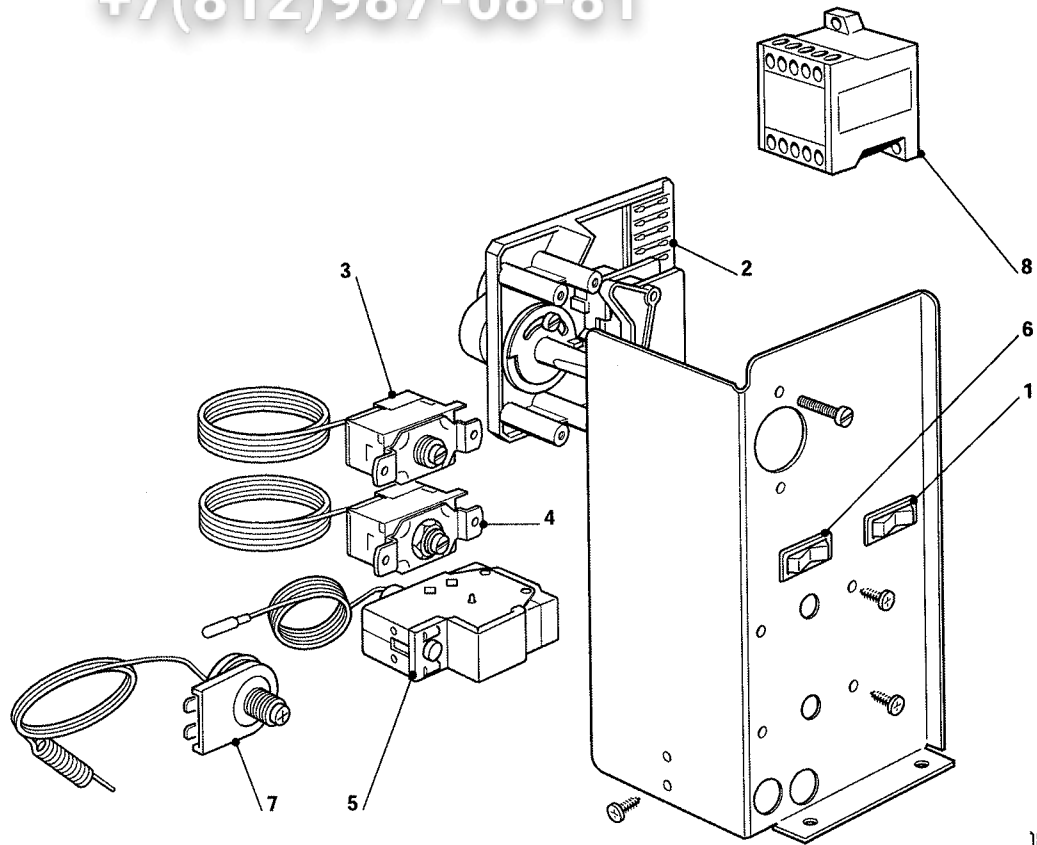
+7(812)987-08-81

ITEM NO POS NO REP. NO REF. NO	PART NO CODICE REFERENCE STUECK NR	DESCRIPTION	DESCRIZIONE	DESIGNATION
1	650105 50	WATER INLET VALVE - AIR COOLED	VALVOLA INGR. ACQUA - RAFF. ARIA	VANNE ARRIVEE EAU - REFF
2	650105 51	WATER INLET VALVE - WATER COOLED	VALVOLA INGR. ACQUA - RAFF. ACQUA	VANNE ARRIVEE EAU - REFF
3	281900 01	WATER INLET TUBE-PER METER	TUBO INGRESSO ACQUA-PER METRO	TUYAU ARRIVEE EAU-POUR
4	724345 00	PUMP MOTOR BRACKET	SUPPORTO POMPA	SUPPORT METALLIQUE POM
5	620433 00 620433 01	WATER PUMP ASSY 230/50/1 WATER PUMP ASSY 230/60/1	ASSIEME POMPA 230/50/1 ASSIEME POMPA 230/60/1	ENSAMBLE POMPE A EAU 23 ENSAMBLE POMPE A EAU 23
6	660557 00	SPRAY PLUG	TAPPO	BOUCHON RAMPE
7	660558 00	SPRAY JET	UGELLO SPRUZZATORE	BOUCHON EN PLASTIQUE G
8	281720 06	OVERFLOW STAND PIPE	TUBO TROPPO PIENO	TUYAU TROP PLEIN
9	610148 10	WATER DRAIN TUBE	TUBO SCARICO ACQUA	TUYAU ÉVACUATION EAU
10	660224 00	DRAIN T FITTING	RACCORDO DI SCARICO	RACCORD T D'EVACUATION
11	660535 00	PLASTIC RING NUT	GHIERA IN PLASTICA	COLLIER DE SERRAGE EN P
12	610193 00	WATER TUBE - PUMP TO SPRAY SYSTEM	TUBO MANDATA POMPA	TUYAU POMPE PLAQUE D'AR
13	660219 01	DRAIN T FITTING	RACCORDO DI SCARICO	RACCORD T D'EVACUATION
14	640134 00	O RING	GUARNIZIONE O R	JOINT TORIQUE
15	660211 01	DRAIN FILTER	FILTRO SCARICO ACQUA	FILTRE EVACUATION EAU
18	650665 23 650665 24	WATER DISTRIBUTOR TUBE - M WATER DISTRIBUTOR TUBE - L	TUBO DISTRIBUTORE ACQUA - M TUBO DISTRIBUTORE ACQUA - L	TUYAU DISTRIBUTEUR EAU - TUYAU DISTRIBUTEUR EAU -

Зип Общепит

vsezip.ru

+7(812)987-08-81



50 - 65 - 90 - CONTROL BOX - SCATOLA DI CONTROLLO - BOITE ELECTRIQUE - S

ITEM NO POS NO REP. NO REF. NO	PART NO CODICE REFERENCE STUECK NR		DESCRIPTION	DESCRIZIONE	DESIGNATION
	50	65 - 90			
1	620242 02	620242 02	SWITCH	INTERRUTTORE LUMINOSO	INTERRUPTEUR LUMINEU
2	620441 00	620441 02	TIMER	TIMER	MINUTERIE
3	620201 01	620201 01	EVAPORATOR THERMOSTAT	TERMOSTATO EVAPORATORE	THERMOSTAT EVAPORAT
4	620209 00	620209 00	BIN THERMOSTAT	TERMOSTATO CONTENITORE	THERMOSTAT CONTENEU
5	620075 00	620075 00	PRESSURE CONTROL	PRESSOSTATO	PRESSOSTAT
6	620442 01	620442 01	SWITCH	COMMUTATORE	INTERRUPTEUR
7	620443 00	620443 00	SAFETY THERMOSTAT	TERMOSTATO DI SICUREZZA	THERMOSTAT DE SECUR
8	***	630119 02	CONTACTOR	TELERUTTORE	CONTACTEUR

+7(812)987-08-81