

Зип Общепит

vsezip.ru

AN760 Parts List

+7(812)987-08-81

Table of Contents

Cabinet

Front Panels

Air Cooled

Water Cooled

Water System

Evaporator

Elbow & Switch

Auger Gear Motor

Compressor

Control Box

Wiring Diagrams

AN760 THE PARTS ILLUSTRATIONS AND PARTS LISTS

vsezip.ru

+7(812)987-08-81

GENERAL

This section contains the Parts Illustrations and the Parts List for each of the major assemblies in the AN760.

A *No Number* designation, when used in the Part Number Column indicates the unit is not available from SCOTSMAN as an assembly. This designation is used only for the convenience and clarity of division in cataloging.

All part numbers have TEN DIGITS (spaces), required for use in the Computer System. BE SURE to fill in ALL SPACES in the CATALOG NUMBER column, on the parts order form.

Model AN760's have been manufactured in "A" or "C" models (as in AN760AE-1A vs. AN760AE-1C). Refer to the complete model number to obtain the correct part number.

HOW TO ORDER PARTS OR ASSEMBLIES

When ordering parts or assemblies, to avoid costly delays and errors in shipment, give the part number, the complete description shown in the list, and the quantities of each part or assembly required. Also include the model name, the serial number of the icemaker for which the part is required and for parts which require color matching, the color of the cabinet.

WIRING DIAGRAMS

This section is provided as an aid in understanding the electrical circuitry of the AN760 Automatic Nugget Icemaker.

The wiring diagrams in this Section are:

- AN760AE-1A (115/60/1) Air-Cooled
- AN760WE-1A (115/60/1) Water-Cooled
- AN760AE-1C (115/60/1) Air-Cooled
- AN760WE-1C (115/60/1) Water-Cooled

//////////////////// WARNING //////////////////////

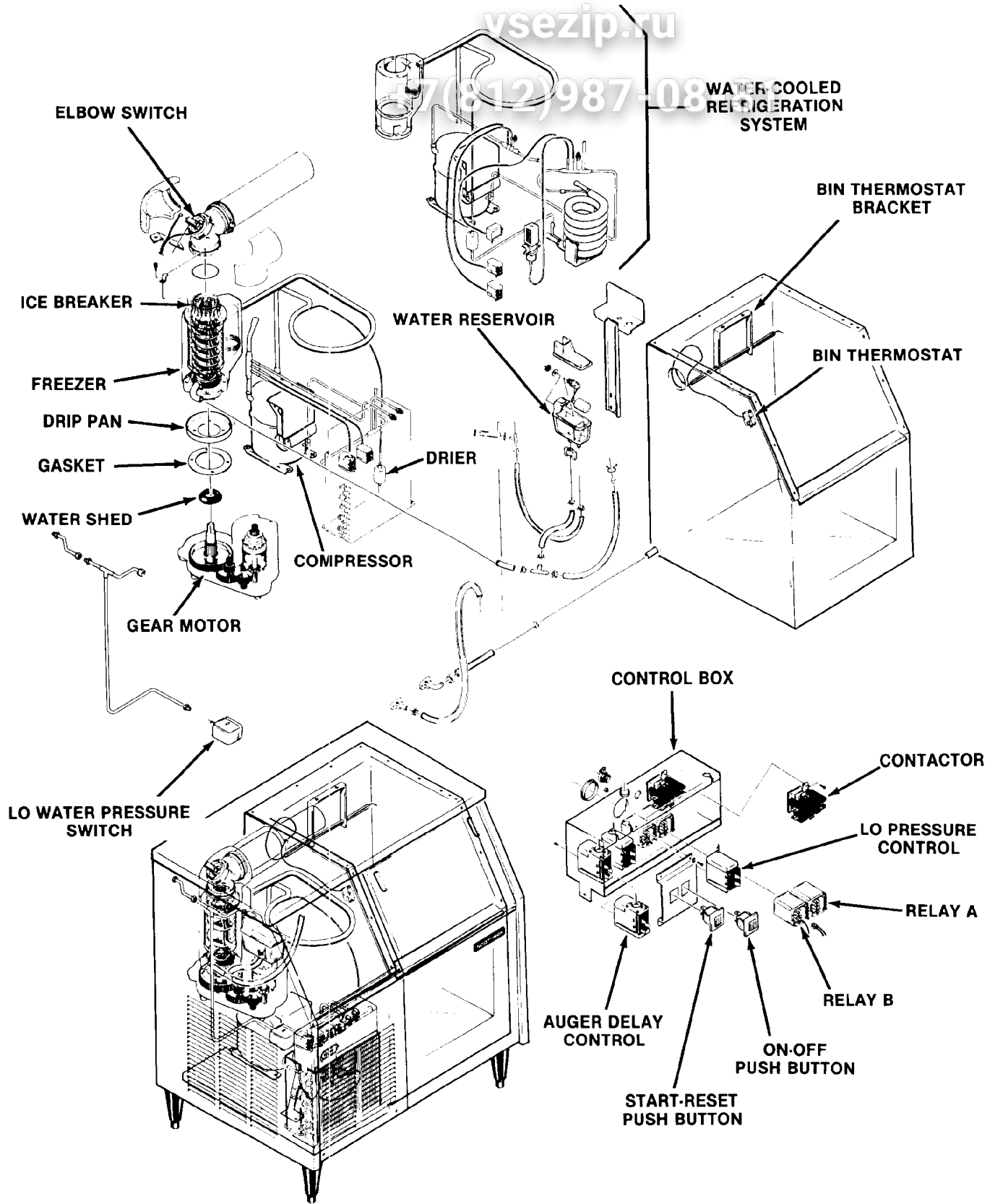
When conducting a continuity check of the modular cuber:

1. **Disconnect the main power source.**
2. **DO NOT use an incandescent lamp or jumper wire, conduct all tests with a volt-ohm-meter.**

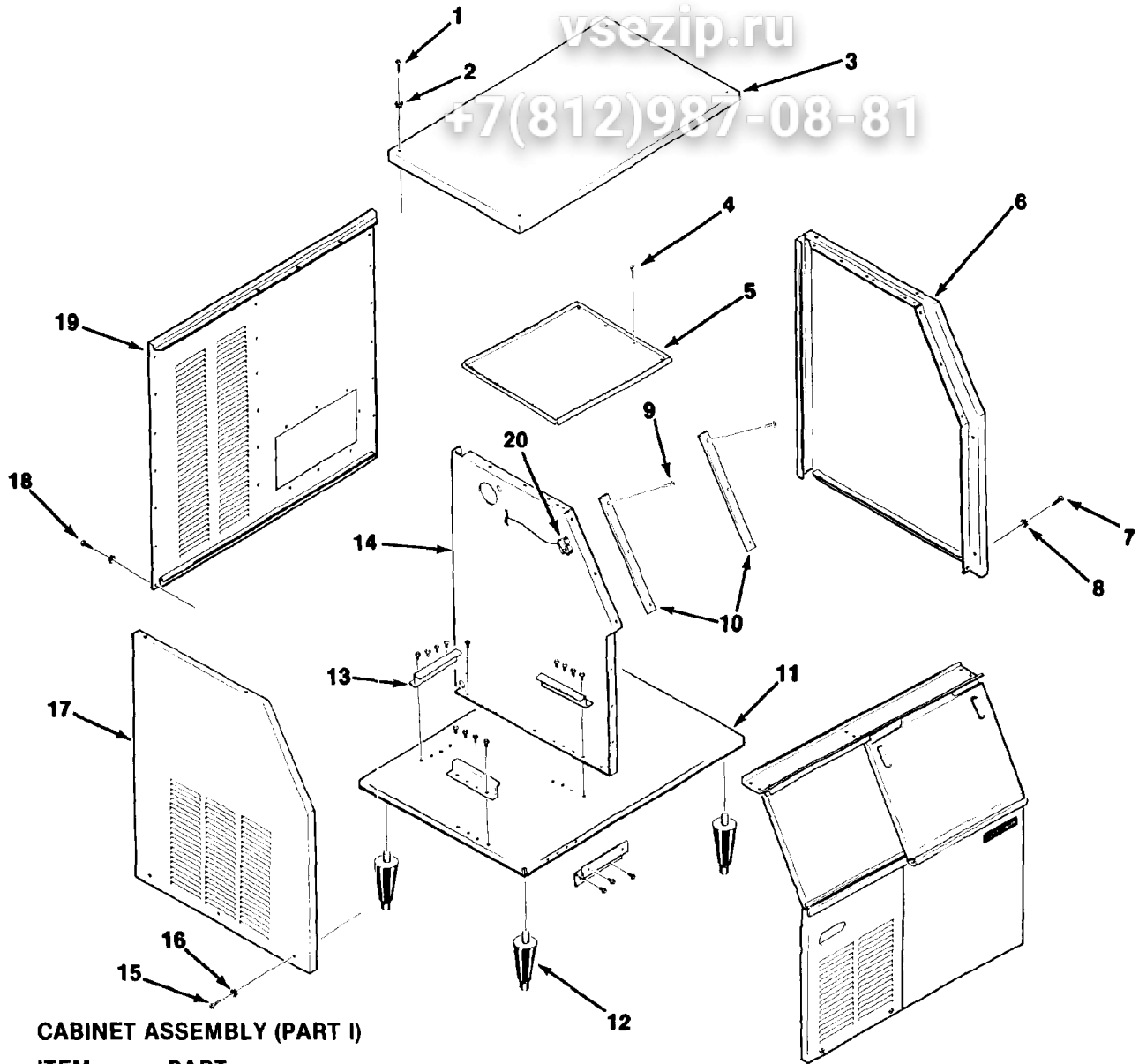
////////////////////////////////////

AN760 THE PARTS ILLUSTRATIONS AND PARTS LISTS

3-й этаж
vsezip.ru
7(812)987-08



AN760 THE PARTS ILLUSTRATIONS AND PARTS LISTS



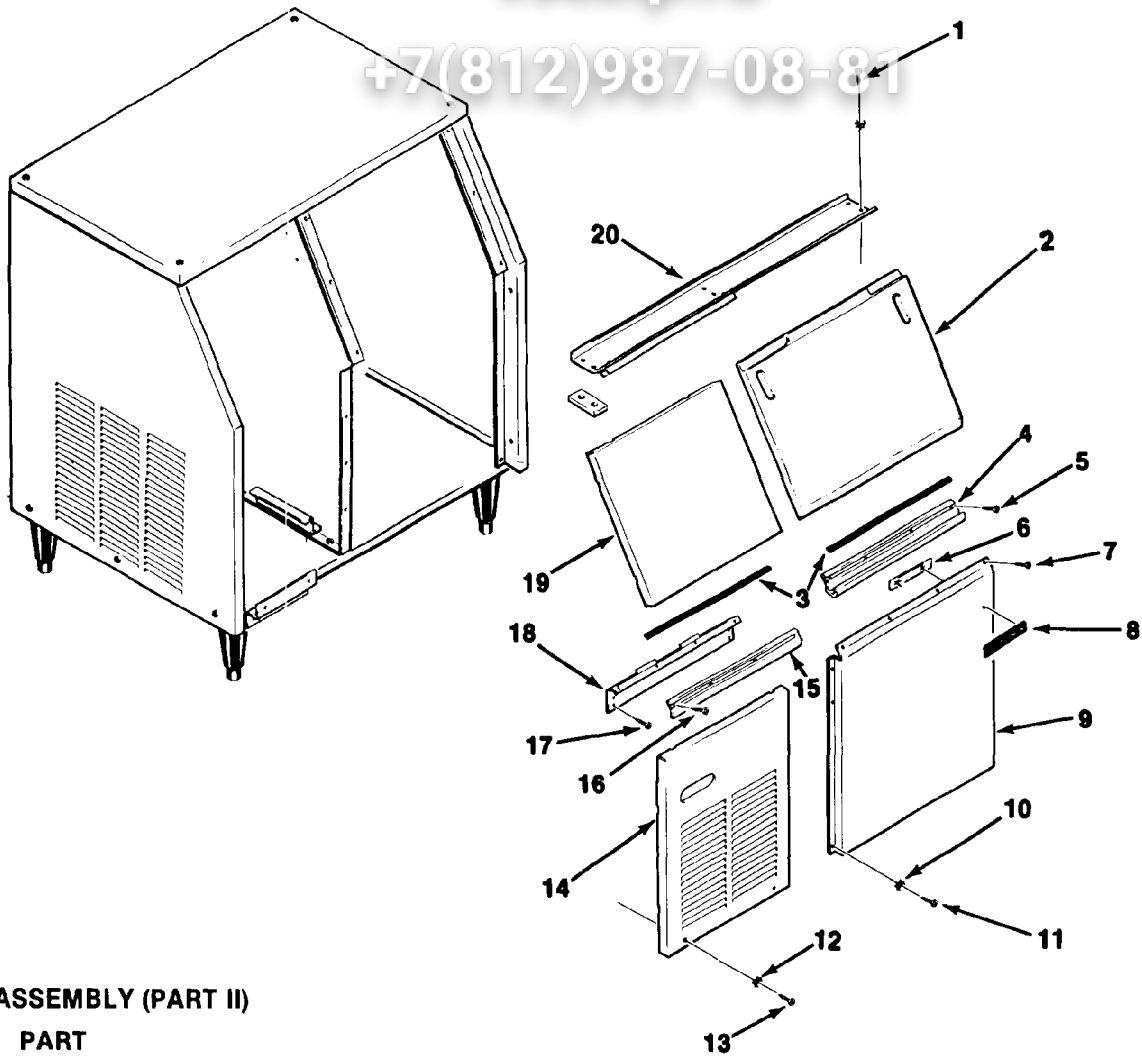
CABINET ASSEMBLY (PART I)

ITEM NUMBER	PART NUMBER	DESCRIPTION
1	03-1419-19	Screw, #8 x 1-3/4
2	03-1417-15	Lockwasher, #8
3	A30738-003	Top Panel, Enamel
	A30738-002	Top Panel, S.S. Only
4	03-1404-09	Screw, #8 x 1/2
5	A30722-001	Cover, Bin
6	A24800-007	Panel, Right Side Enamel
	A24800-002	Panel, Right Side S.S.
7	03-1404-09	Screw, #8 x 1/2
8	03-1417-03	Lockwasher, #8
9	03-1419-17	Screw, #8 x 5/8
10	A30503-001	Support Strip, Right
	A30503-002	Support Strip, Left
11	No Number	Unit Base
12	No Number	Legs, Enamel (KLP2E)
	No Number	Legs, S.S. (KLP2S)
13	No Number	Chassis Stop
14	A27032-002	Insulation Retainer
15	03-1404-09	Screw, #8 x 1/2
16	03-1417-03	Lockwasher, #8
17	A27034-007	Panel, Left Side Enamel
	A27034-002	Panel, Left Side S.S.
18	03-1404-09	Screw, #8 x 1/2
19	A30498-001	Back Panel (A Model)
	A32322-001	Back Panel (C Model)
20	11-0354-00	Bin Thermostat

AN760 THE PARTS ILLUSTRATIONS AND PARTS LISTS

vsezip.ru

+7(812)987-08-81



CABINET ASSEMBLY (PART II)

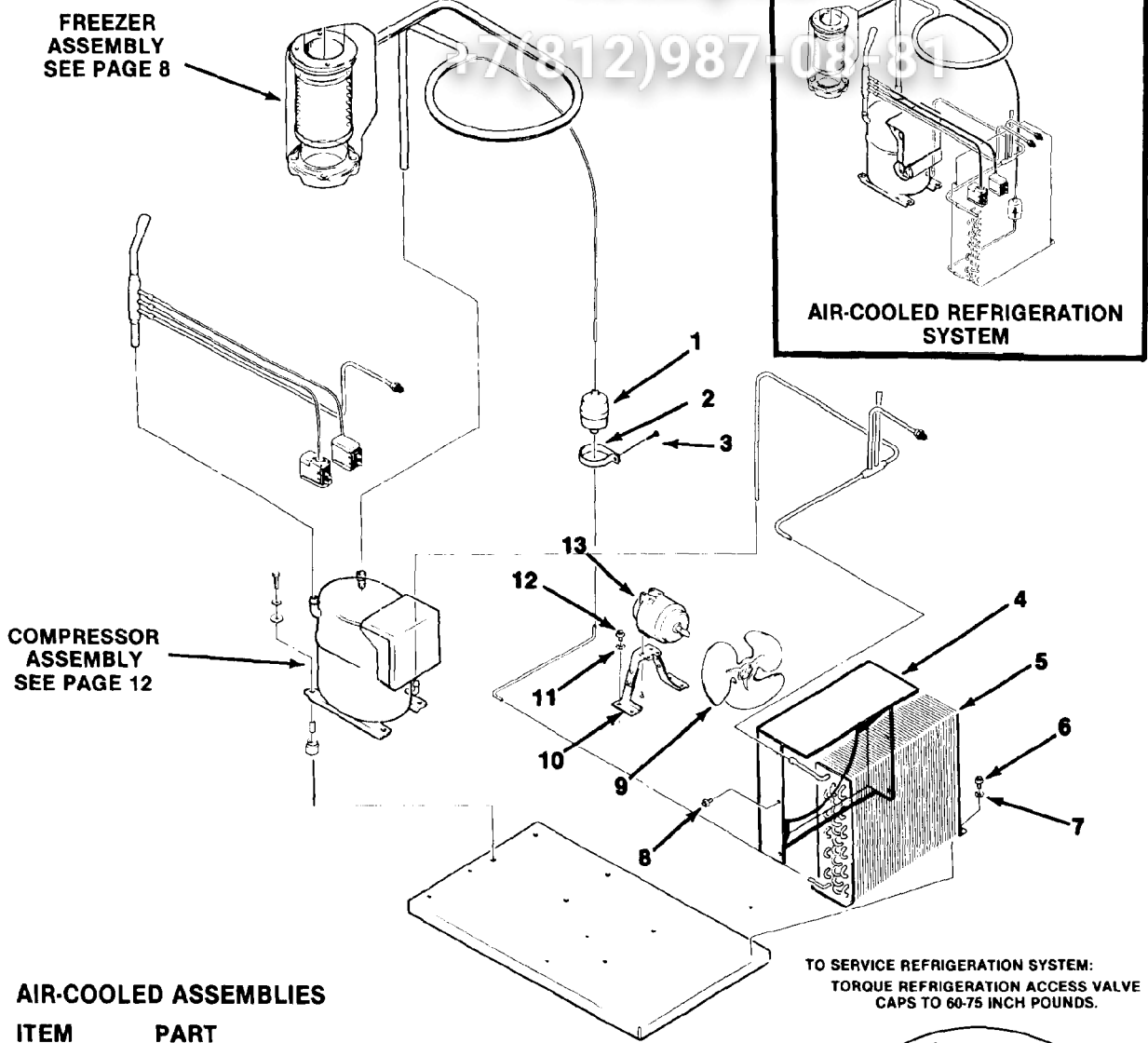
ITEM NUMBER	PART NUMBER	DESCRIPTION
1	03-1404-09	Screw, #8 x 1/2
2	02-2130-01	Ice Access Door, Enamel Units (orange plastic)
	02-2130-02	Ice Access Door, S.S. (grey plastic)
3	15-0324-00	Plastic Insert (36.5")
4	15-0620-01	Moulding Strip
5	03-1419-05	Screw, #8 x 5/8
6	03-0271-00	Speed Clip
7	03-1419-05	Screw, #8 x 1-1/2
8	15-0711-01	Scotsman Emblem
9	A24794-007	Panel, Right Front Enamel
	A24794-002	Panel, Right Front S.S.
10	03-1417-03	Lockwasher, #8
11	03-1404-09	Screw, #8 x 1/2
12	03-1417-09	Lockwasher, #8
13	03-1419-16	Screw, #8 x 1/2
14	A30496-004	Panel, Lower Left Front, Enamel
	A30496-002	Panel, Lower Left Front, S.S.
15	15-0706-01	Moulding Strip
16	03-1419-17	Screw, #8 x 5/8
17	03-1404-09	Screw, #8 x 1/2
18	A30502-001	Bracket, Left Front
19	A30497-005	Panel, Upper Left Front, Enamel
	A30497-002	Panel, Upper Left Front, S.S.
20	A30539-001	Door Track Assembly

AN760 THE PARTS ILLUSTRATIONS AND PARTS LISTS

3zip.Общепит

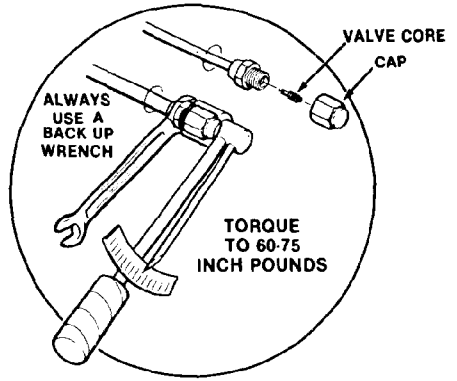
vsezip.ru

77(812)987-08-81



AIR-COOLED ASSEMBLIES

ITEM NUMBER	PART NUMBER	DESCRIPTION
1	02-0544-01	Drier
2	A09388-001	Drier Brace
3	03-1531-01	Screw, #8 x 7/8
4	A30003-001	Shroud
5	18-0396-01	Condenser
6	03-0571-00	Screw, 1/4 - 20 x 1/2
7	03-1417-09	Lockwasher, 1/4
8	03-1404-03	Screw, #6 x 1/4
9	18-0625-00	Fan Blade & Nut
10	A25548-001	Fan Mounting Bracket
11	03-1417-09	Lockwasher, 1/4
12	03-0571-00	Screw, 1/4 - 20 x 1/2
13	18-0559-01	Fan Motor 115/60/1
	18-0559-00	Fan Motor 230/50/1



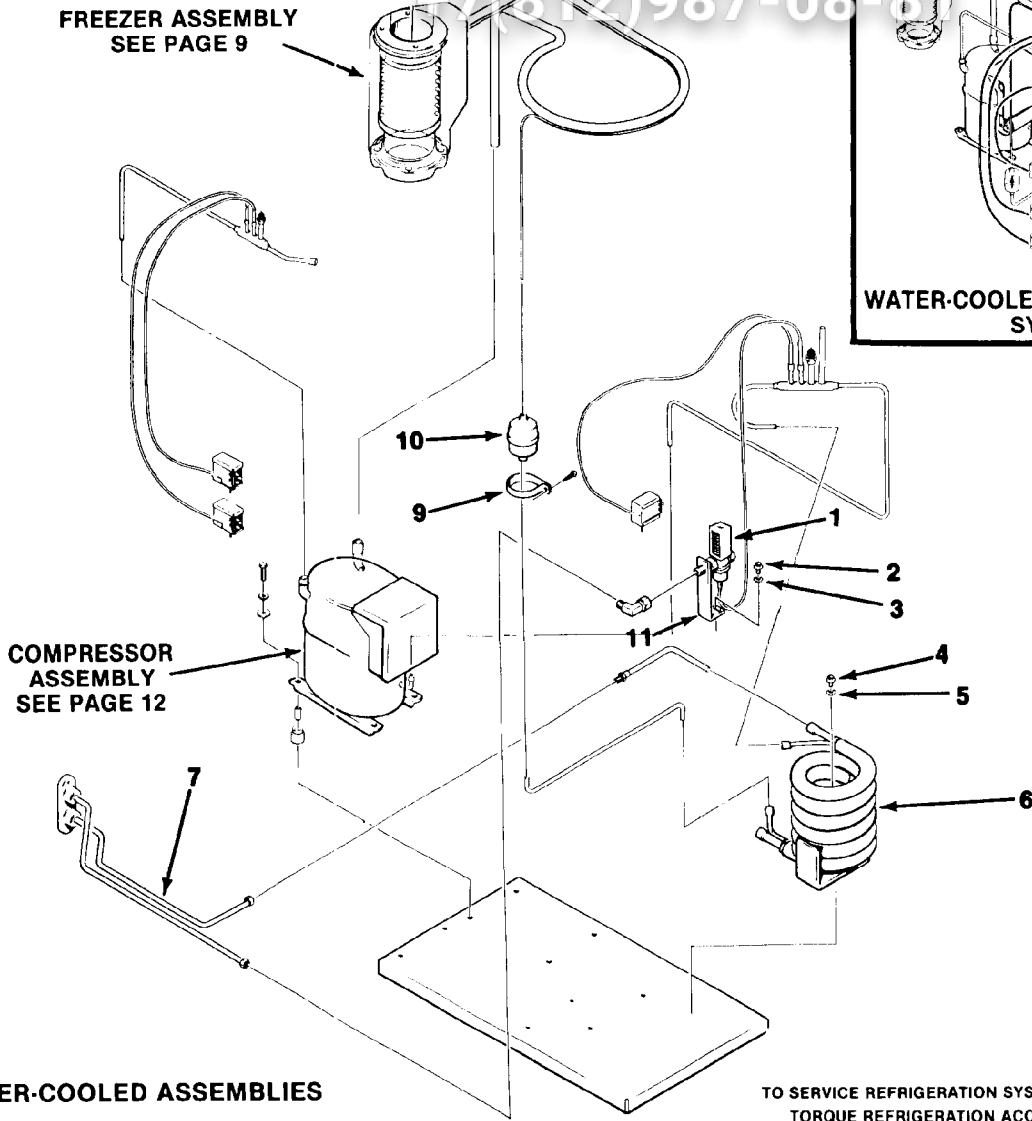
ALWAYS USE A BACK-UP WRENCH TO AVOID DAMAGE TO THE REFRIGERANT TUBING.

AN760 THE PARTS ILLUSTRATIONS AND PARTS LISTS

3ip Общепит

vsezip.ru

+7(812)987-08-81

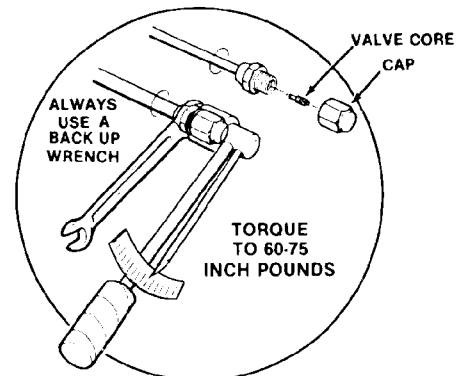


WATER-COOLED REFRIGERATION SYSTEM

WATER-COOLED ASSEMBLIES

ITEM NUMBER	PART NUMBER	DESCRIPTION
1	11-0198-02	Water Regulator Assembly
2	03-0571-00	Screw, 1/4 - 20 x 1/2
3	03-1417-09	Lockwasher, 1/4
4	03-0571-00	Screw, 1/4 - 20 x 1/2
5	03-1417-09	Lockwasher, 1/4
6	18-3305-02	Condenser
7	A32088-002	Drain Assembly, Water-Cooled
8	03-1531-01	Screw, #8 x 7/8
9	A09388-001	Brace
10	02-0544-01	Drier
11	A15924-000	Bracket

TO SERVICE REFRIGERATION SYSTEM:
TORQUE REFRIGERATION ACCESS VALVE
CAPS TO 60-75 INCH POUNDS.

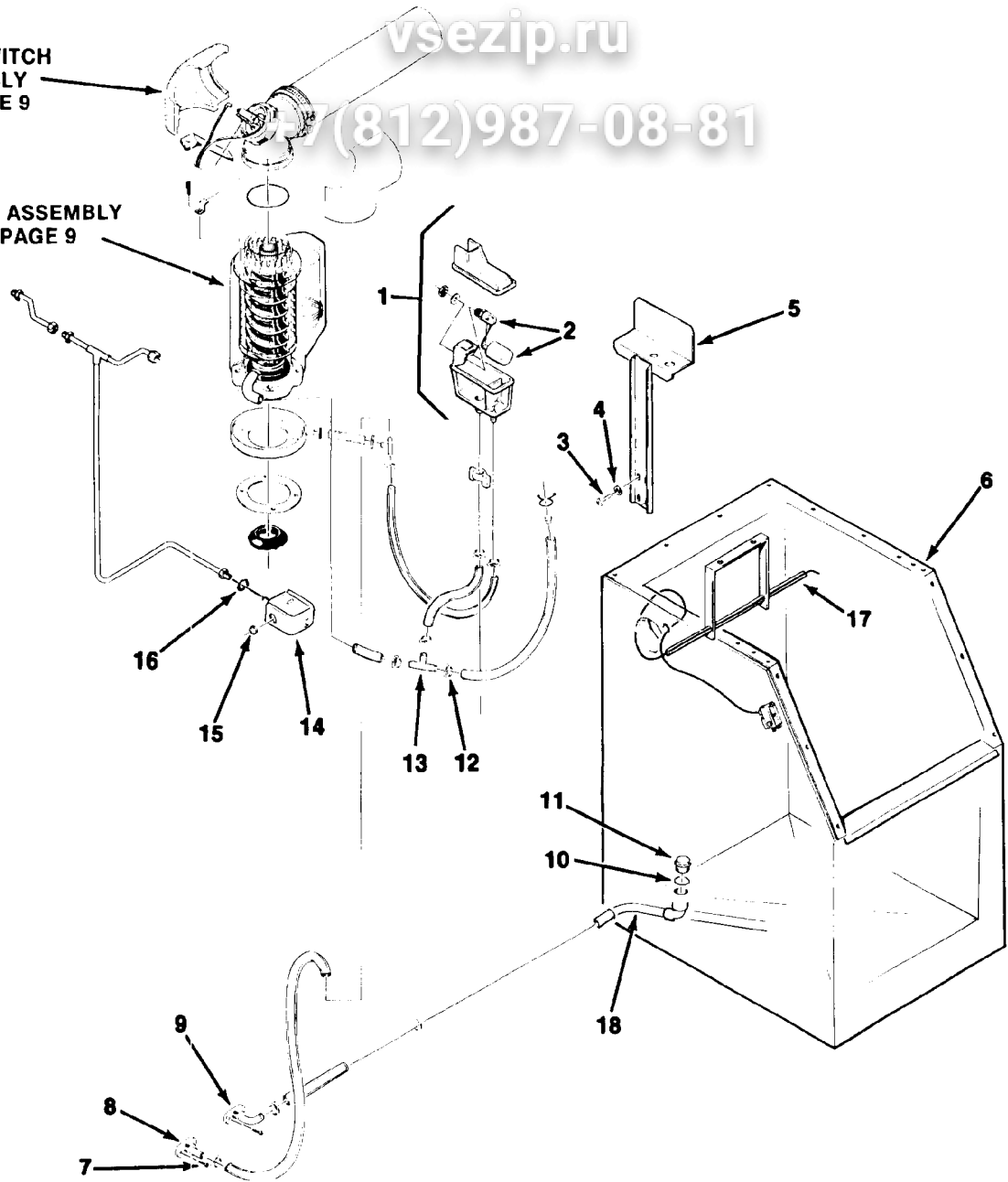


ALWAYS USE A BACK-UP
WRENCH TO AVOID DAMAGE
TO THE REFRIGERANT TUBING.

AN760 THE PARTS ILLUSTRATIONS AND PARTS LISTS

ELBOW SWITCH ASSEMBLY
SEE PAGE 9

FREEZER ASSEMBLY
SEE PAGE 9



WATER AND DRAINAGE SYSTEM

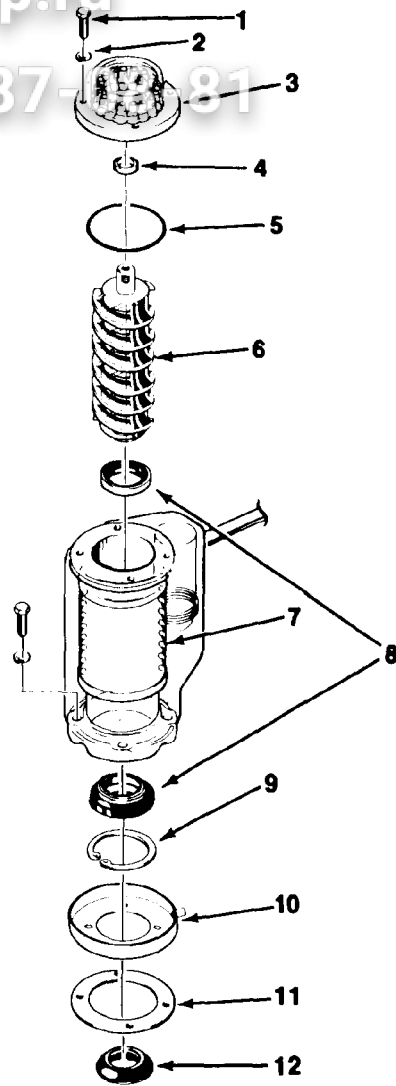
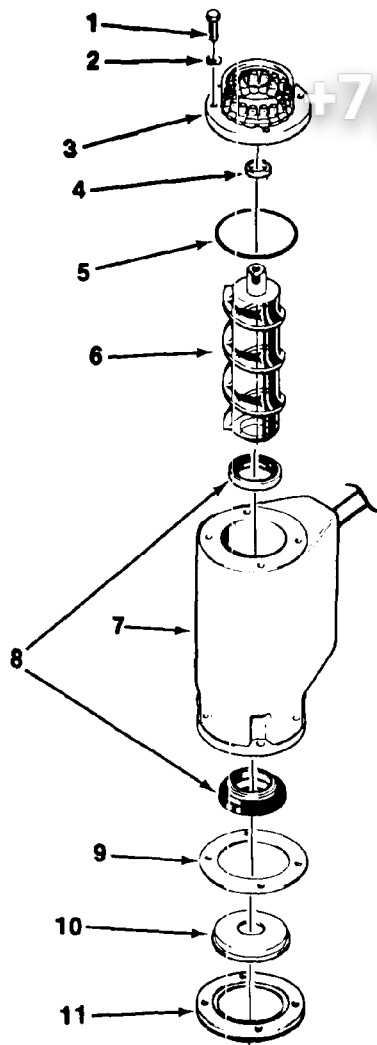
ITEM NUMBER	PART NUMER	DESCRIPTION			
1	02-2217-01	Reservoir	9	A32088-001	Drain Assembly
2	02-2217-02	Valve and Float	10	13-0617-11	O-ring
3	03-0571-00	Screw, 1/4 - 20 x 1/2	11	02-2809-01	Drain Top
4	03-1417-09	Lockwasher, 1/4	12	02-0534-00	Hose Clamp
5	A30538-001	Reservoir Bracket	13	16-0670-02	Tee
6	02-2774-02	Storage Bin	14	11-0296-00	Lo Water Pressure Control
7	03-1405-03	Screw, 1/4 - 20 x 1/2	15	12-1213-10	Snap Bushing
8	A32088-002	Drain Assembly (Water-Cooled only)	16	03-1409-21	Rubber Washer
			17	A30720-001	Bin Thermostat Bracket
			18	A27018-001	Drain

AN760 THE PARTS ILLUSTRATIONS AND PARTS LISTS

Зип Общепит

vsezip.ru

+7(812)987-1-81



FREEZER ASSEMBLY (A & B MODELS ONLY)

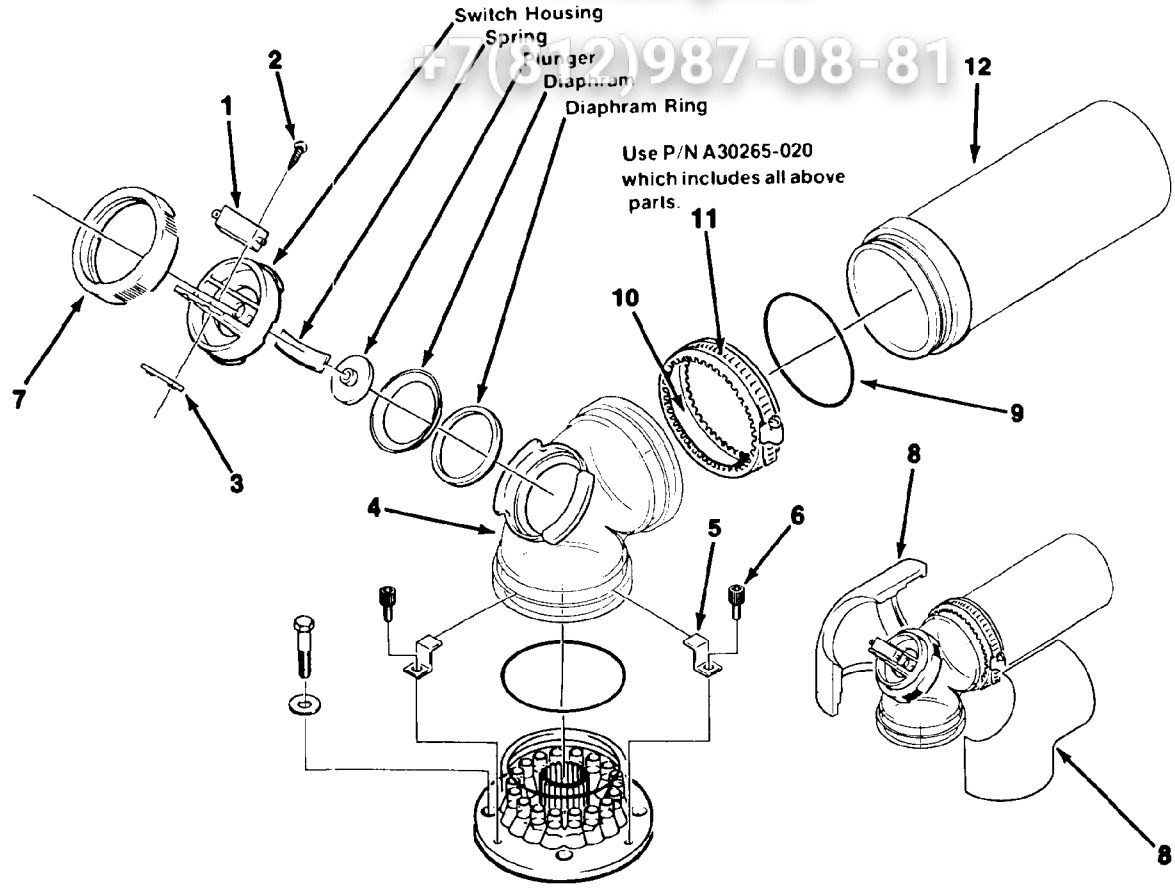
ITEM NUMBER	PART NUMBER	DESCRIPTION
1	03-1405-42	Screw, No. 5/16 - 18 x 7/8 Hex Cap
2	03-1417-13	Lockwasher, No. 5/16
3	A32571-020	Ice Breaker (Includes Helical Spring Bearing & Seal)
4	02-2853-01	Seal
5	13-0617-46	O-Ring
6	A31839-001	Auger
7	A32098-020	Freezer Assembly
8	02-0929-01	Seal, Water
9	13-0704-00	Gasket
10	A29463-001	Adapter Freezer
11	02-2577-01	Adapter Large

FREEZER ASSEMBLY (C MODEL ONLY)

ITEM NUMBER	PART NUMBER	DESCRIPTION
1	03-1405-42	Screw
2	03-1417-13	Lockwasher
3	A32571-020	Ice Breaker (Includes Bearing & Seal)
4	02-2853-01	Seal
5	13-0617-46	O-Ring
6	A31839-001	Auger
7	A32098-020	Freezer Assembly (Includes 10 & 11)
8	02-0929-01	Water Seal
9	03-1558-05	Snap Ring
10	A32050-001	Drip Pan
11	13-0704-00	Gasket
12	13-0709-02	Water Shed

AN760 THE PARTS ILLUSTRATIONS AND PARTS LISTS

NOTE: When replacing the following items



ELBOW AND SWITCH ASSEMBLY

ITEM NUMBER	PART NUMBER	DESCRIPTION
1	12-2202-01	Switch
2	03-1403-08	Screw, No. 6-32 x 7/8
3	03-0886-00	Speednut
4	02-2764-01	Elbow Assembly
5	02-2604-01	Bracket, Spout Retaining
6	03-1544-04	Screw, No. 10-24 x 3/8 S.S. Soc Hd Cap
7	02-2637-01	Retaining Ring
8	A31390-001	Insulation (Includes left & right sides)
9	13-0619-49	O-Ring
10	A30089-001	U-Channel
11	02-0179-03	Clamp
12	A30087-004	Ice Tube

AN760 THE PARTS ILLUSTRATIONS AND PARTS LISTS

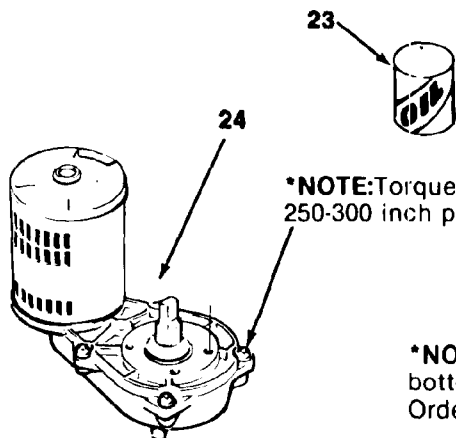
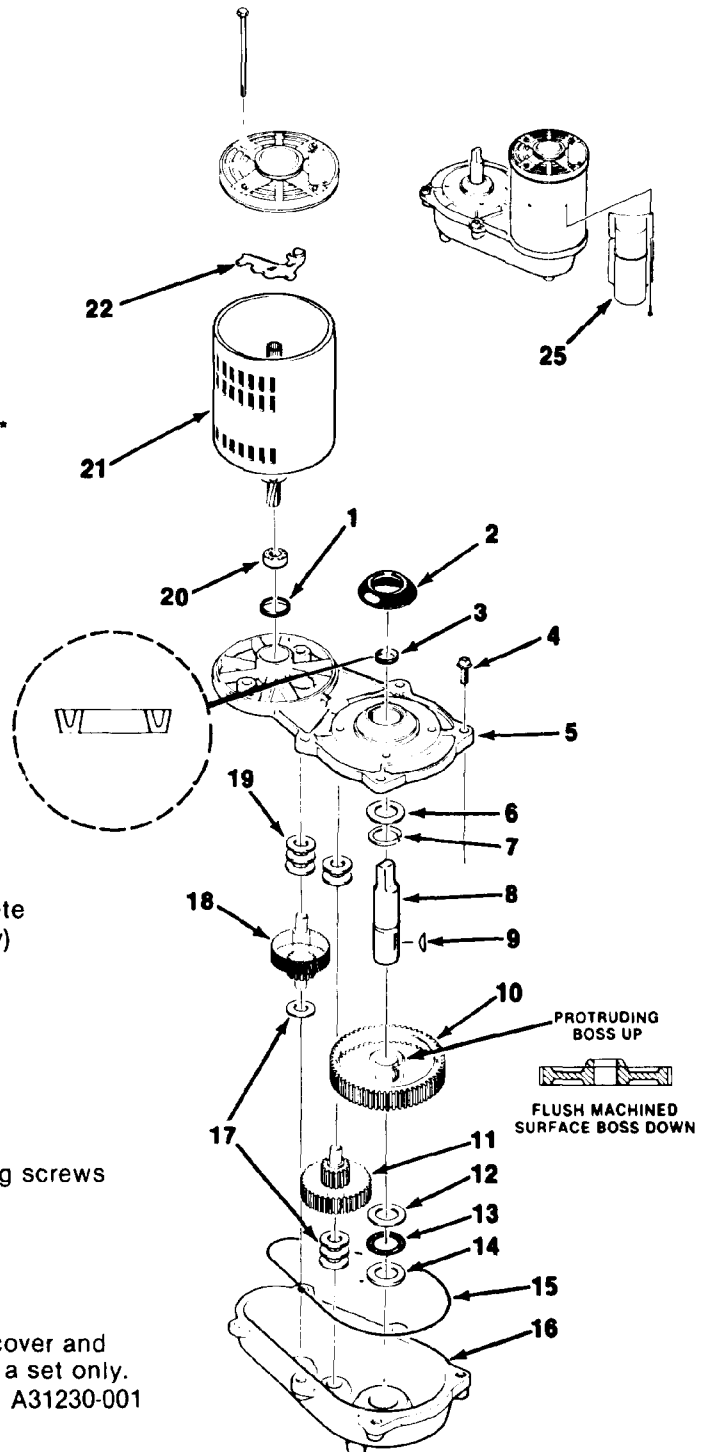
Зип Общепит

vsezip.ru

+7(812)987-08-81

DRIVE MOTOR ASSEMBLY

ITEM NUMBER	PART NUMBER	DESCRIPTION
1	02-1606-00	Oil Seal
2	13-0709-02	Water Shed C Model Only
3	02-2853-01	Oil Seal - Faces Up
4	03-1251-01	Screw*
5	A31230-001	Gear Case Cover Assembly*
6	02-1681-00	Thrust Race
7	03-1363-00	Retaining Ring
8	02-2541-01	Shaft, Output
9	03-1630-01	Key
10	02-2745-01	Gear, Output
11	02-1604-00	Third Pinion Assembly, Second Gear
12	02-1679-00	Thrust Race
13	A32368-020	Bearing (Includes Items 12, 13, & 14)
14	02-1679-00	Thrust Race
15	A26103-001	"O" Ring
16	A31230-001	Gear Case Assembly Bottom*
17	03-1408-24	Washer
18	02-1603-00	Second Pinion Assembly, First Gear
19	03-1408-24	Washer
20	12-1741-29	Bearing Shaft GE
	12-1741-20	Bearing Shaft Emerson
	12-2314-20	GE P.S.C.
21	A32425-001	Drive Motor
22	12-1741-28	Switch, Start (General Electric) #1
	12-1741-32	Start Switch (General Electric) #2
	12-2314-21	Centrifugal Switch P.S.C.
	12-1741-22	Switch, Start (Emerson)
23	A25835-001	Gearcase Oil (1) Pint
24	A32404-021	Gearmotor Assembly Complete
25	12-2314-22	Capacitor (For G.E. PSC Only)



*NOTE: Torque cover mounting screws 250-300 inch pounds.

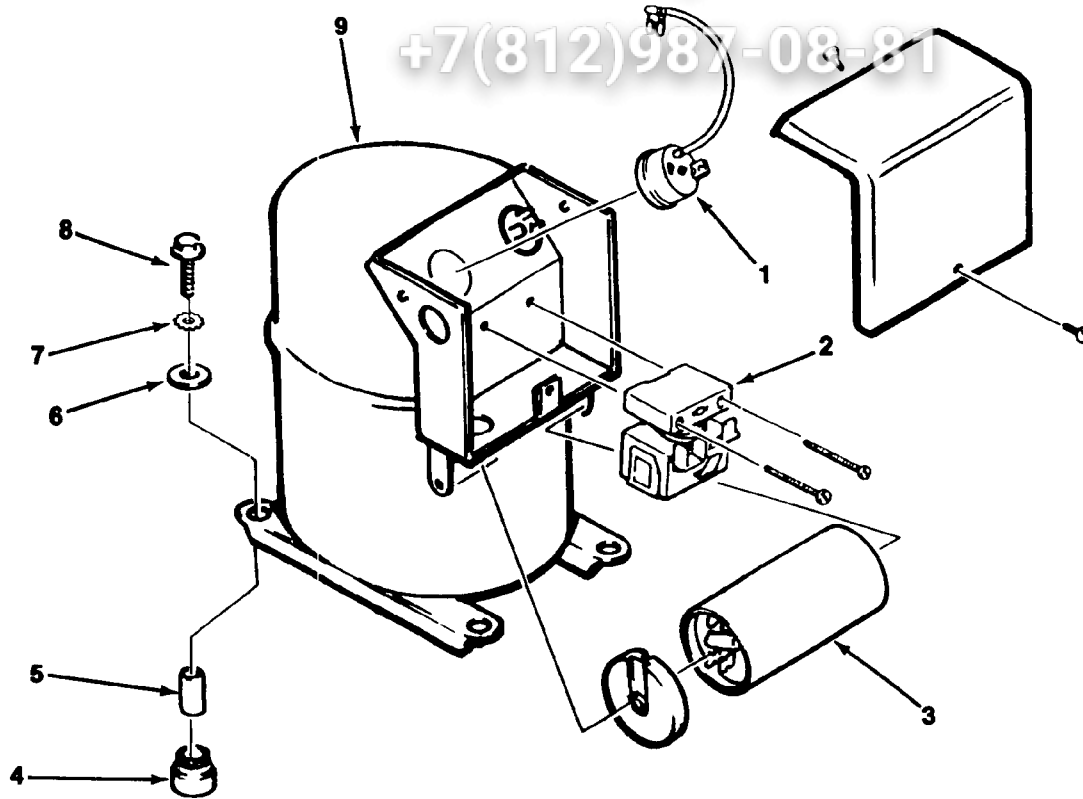
*NOTE: Gearcase cover and bottom are sold as a set only. Order Part Number A31230-001

AN760 THE PARTS ILLUSTRATIONS AND PARTS LISTS

Зип Общепит

vsezip.ru

+7(812)987-08-81



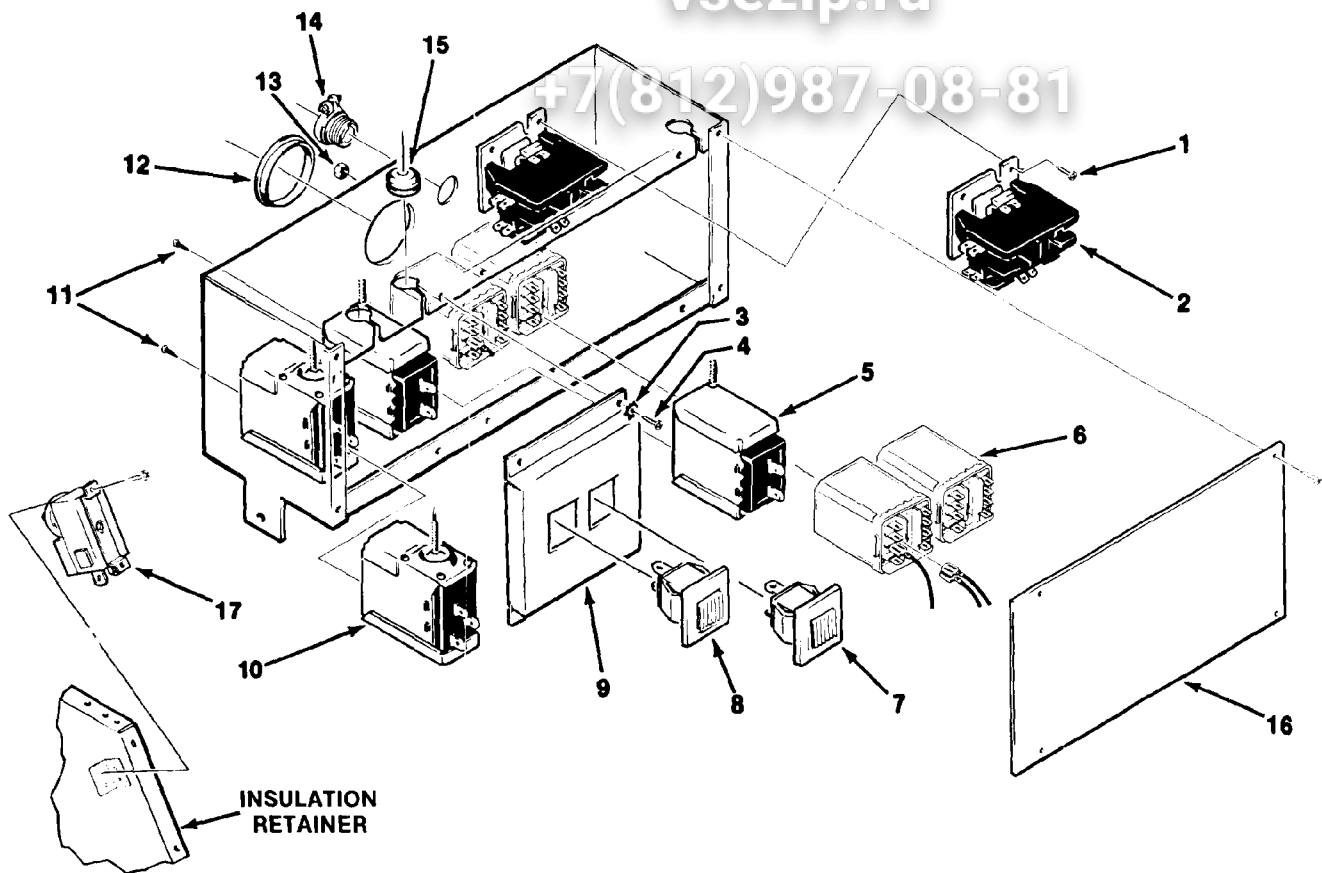
COMPRESSOR ASSEMBLY

ITEM NUMBER	PART NUMBER	DESCRIPTION
1	18-2400-25	Overload (115/60/1)
2	18-2410-00	Relay (115/60/1)
3	18-2420-00	Capacitor with cap, (115/60/1)
4	18-2200-28	Grommet
5	18-2200-27	Sleeve
6	03-1408-29	Washer
7	03-1417-12	Lockwasher
8	03-1405-40	Screw
9	18-3900-01	Compressor Assembly, (115/60/1)

AN760 THE PARTS ILLUSTRATIONS AND PARTS LISTS

vsezip.ru

+7(812)987-08-81



CONTROL BOX ASSEMBLY - AIR-COOLED

ITEM NUMBER	PART NUMBER	DESCRIPTION
1	03-1531-01	Screw, #8 x 3/8
2	12-2048-01	Contactora, (115/60/1)
3	03-1417-03	Lockwasher
4	03-1531-01	Screw, #8 x 3/8
5	11-0402-01	Lo Pressure Control (Auger Delay)
6	12-2090-01	Relay, (115/60/1)
7	12-2200-01	ON-OFF Switch, (115/60/1)
8	12-2199-01	Start-Reset Switch, (115/60/1)
9	A30543-001	Switch Housing
10	11-0420-01	Low Pressure Control
11	03-1403-02	Screw, #6 x 1/4
12	12-1213-12	Snap Bushing
13	03-1406-01	Nut
14	12-0256-00	Straight Connector
15	13-0557-00	Grommet
16	A31654-001	Control Box Cover
17	11-0354-00	Bin Thermostat (Located on Insulation Retainer)

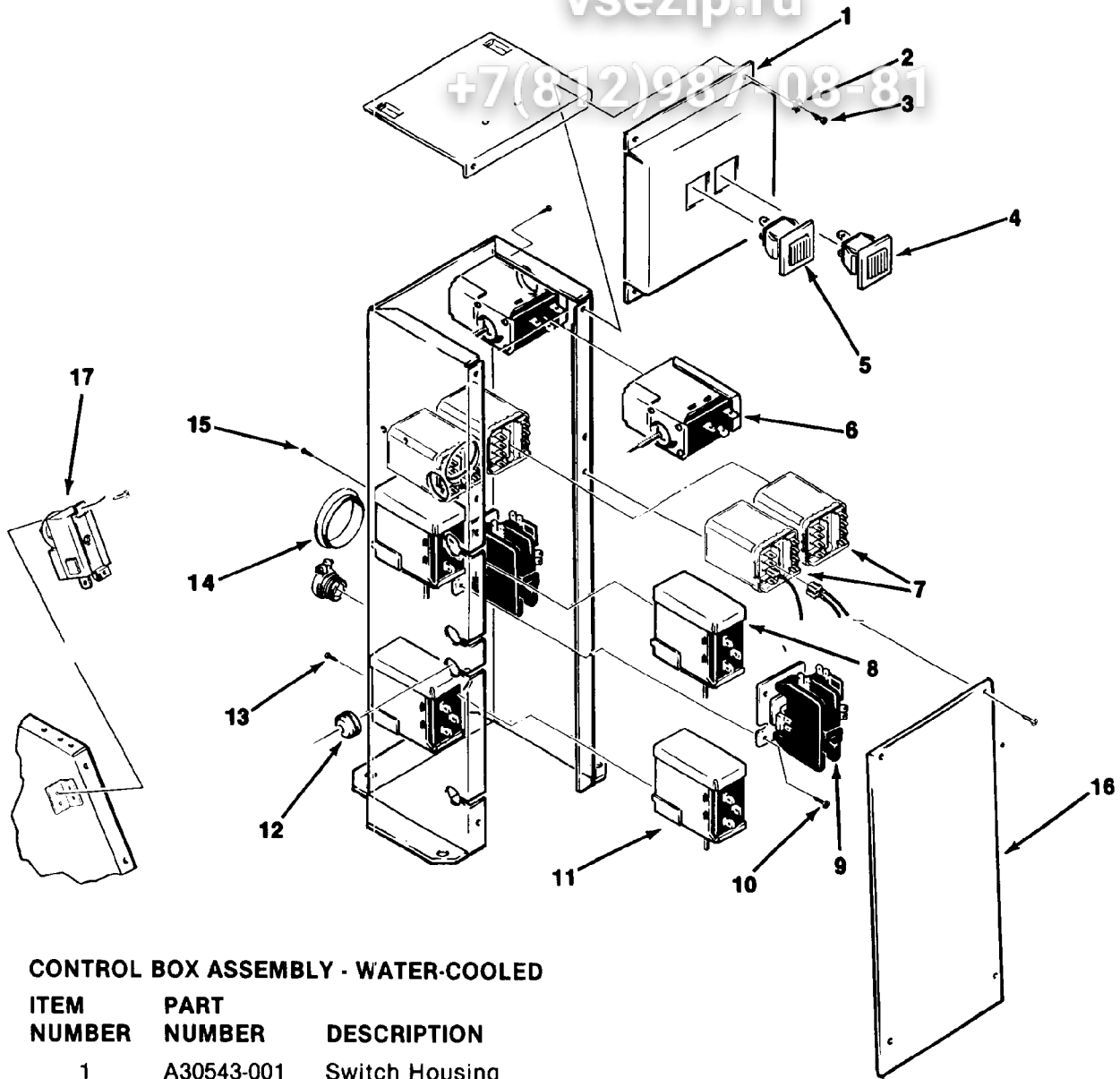
Relay B added after July 1984 production

AN760 THE PARTS ILLUSTRATIONS AND PARTS LISTS

Зип Общепит

vsezip.ru

+7(812)987-08-81



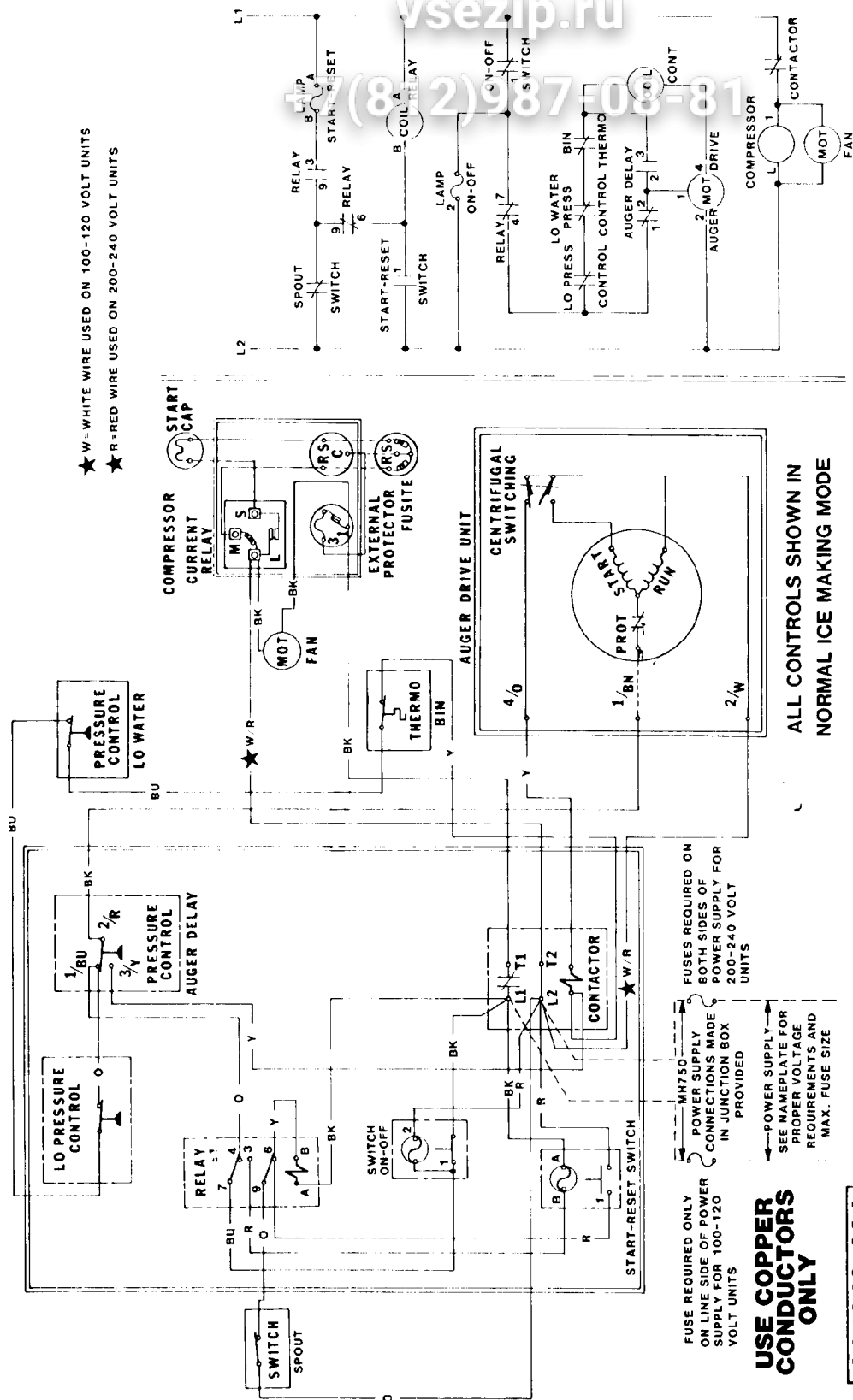
CONTROL BOX ASSEMBLY - WATER-COOLED

ITEM NUMBER	PART NUMBER	DESCRIPTION
1	A30543-001	Switch Housing
2	03-1417-03	Lockwasher
3	03-1531-01	Screw, #8 x 3/8
4	12-2200-01	ON-OFF Switch, (115/60/1)
5	12-2199-01	Start-Reset Switch, (115/60/1)
6	11-0388-02	Hi Pressure Control
7	12-2090-01	Relay, (115/60/1)
8	11-0402-01	Auger Delay - Control
9	12-2048-01	Contactor, (115/60/1)
10	03-1531-01	Screw, #8 x 3/8
11	11-0420-01	Low Pressure Control
12	13-0557-00	Grommet
13	03-1403-02	Screw, #6 x 1/4
14	12-1213-10	Snap Bushing
15	03-1413-02	Screw, #6 x 1/4
16	A30542-001	Control Box Cover
17	11-0354-00	Bin Thermostat (Located on Retainer)

Relay B added after July 1984 production

AN760 THE PARTS ILLUSTRATIONS AND PARTS LISTS

Relay B added after July 1984 production - See page 18



★ W - WHITE WIRE USED ON 100-120 VOLT UNITS
 ★ R - RED WIRE USED ON 200-240 VOLT UNITS

FUSE REQUIRED ONLY ON LINE SIDE OF POWER SUPPLY FOR 100-120 VOLT UNITS

FUSES REQUIRED ON BOTH SIDES OF POWER SUPPLY FOR 200-240 VOLT UNITS

POWER SUPPLY CONNECTIONS MADE IN JUNCTION BOX PROVIDED

POWER SUPPLY SEE NAMEPLATE FOR PROPER VOLTAGE REQUIREMENTS AND MAX. FUSE SIZE

USE COPPER CONDUCTORS ONLY

A31049-001

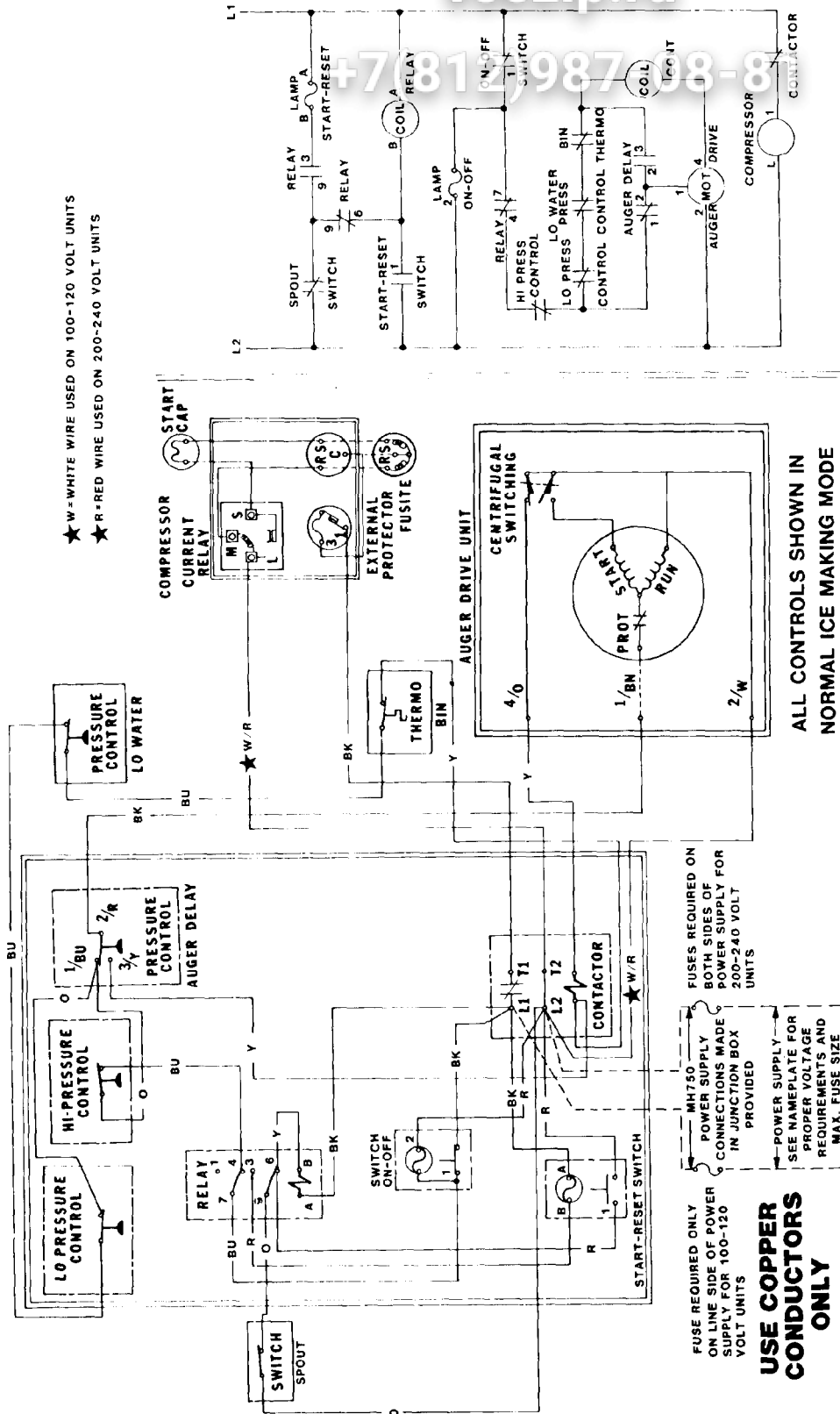
ALL CONTROLS SHOWN IN NORMAL ICE MAKING MODE

THIS UNIT MUST BE GROUNDED

AN760AE-1A (115/60/1) Air-Cooled Models

AN760 THE PARTS ILLUSTRATIONS AND PARTS LISTS

Relay B added after July 1984 production - See page 19



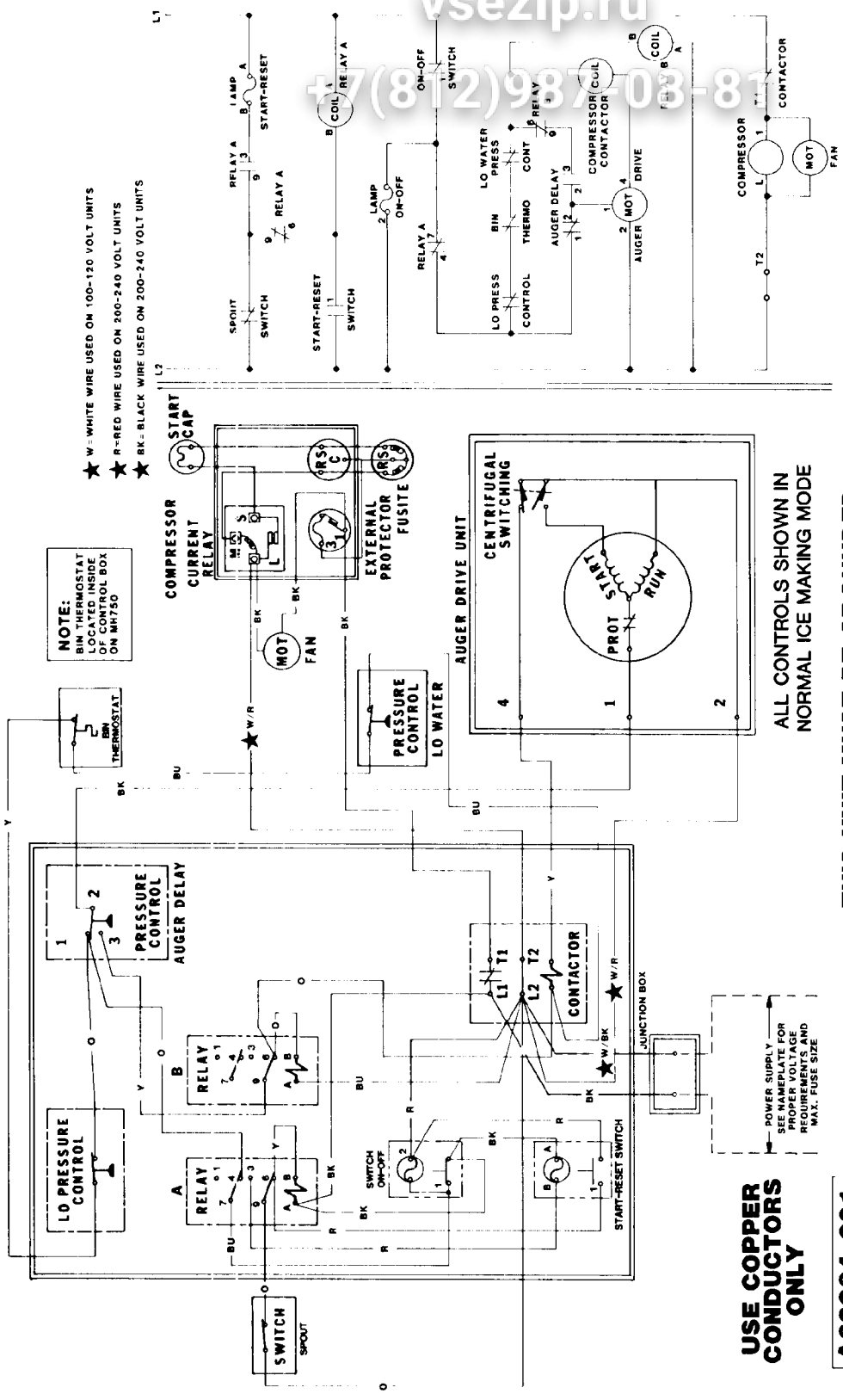
AN760WE-1A (115/60/1) Water-Cooled Models

AN760 THE PARTS ILLUSTRATIONS AND PARTS LISTS

Вип. Общедит

vsezip.ru

+7(812)987-08181



- ★ W - WHITE WIRE USED ON 100-120 VOLT UNITS
- ★ R - RED WIRE USED ON 200-240 VOLT UNITS
- ★ BK - BLACK WIRE USED ON 200-240 VOLT UNITS

NOTE:
BIN THERMOSTAT
LOCATED INSIDE
OF CONTROL BOX
ON MR750

ALL CONTROLS SHOWN IN
NORMAL ICE MAKING MODE

THIS UNIT MUST BE GROUNDED

**USE COPPER
CONDUCTORS
ONLY**

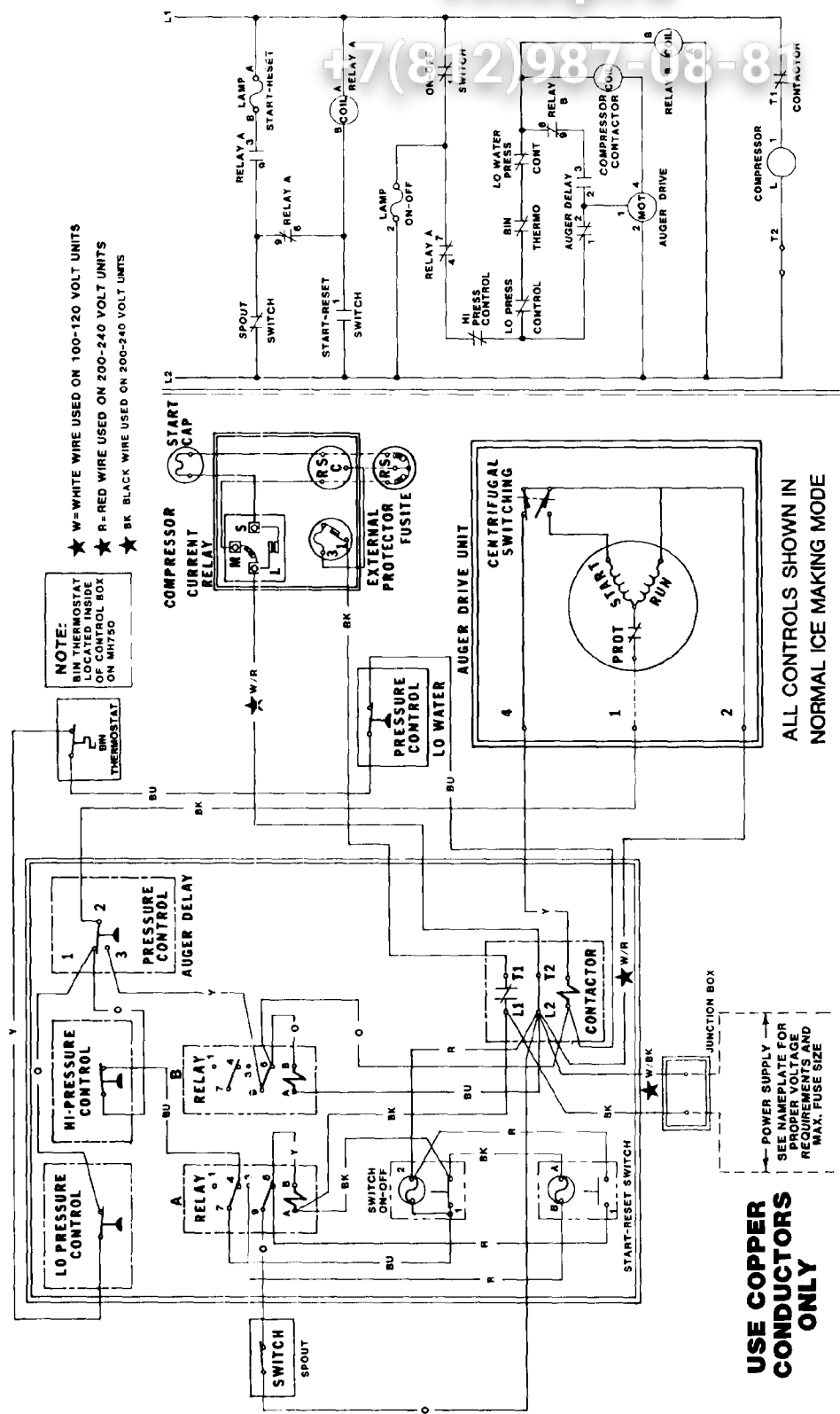
A32094-001

AN760AE-1C (115/60/1) Air-Cooled Models

AN760 THE PARTS ILLUSTRATIONS AND PARTS LISTS

Вип. Общедит
vsezip.ru

+7(812)987-08-8



AN760WE-1C (115/60/1) Water-Cooled Models