

**Зип Общепит**

**vsezip.ru**

**AF430 Parts List**

**+7(812)987-08-81**

**Table of Contents**

**Cabinet**

**Air Cooled Parts**

**Water Cooled Parts**

**Compressor**

**Spout**

**Freezer**

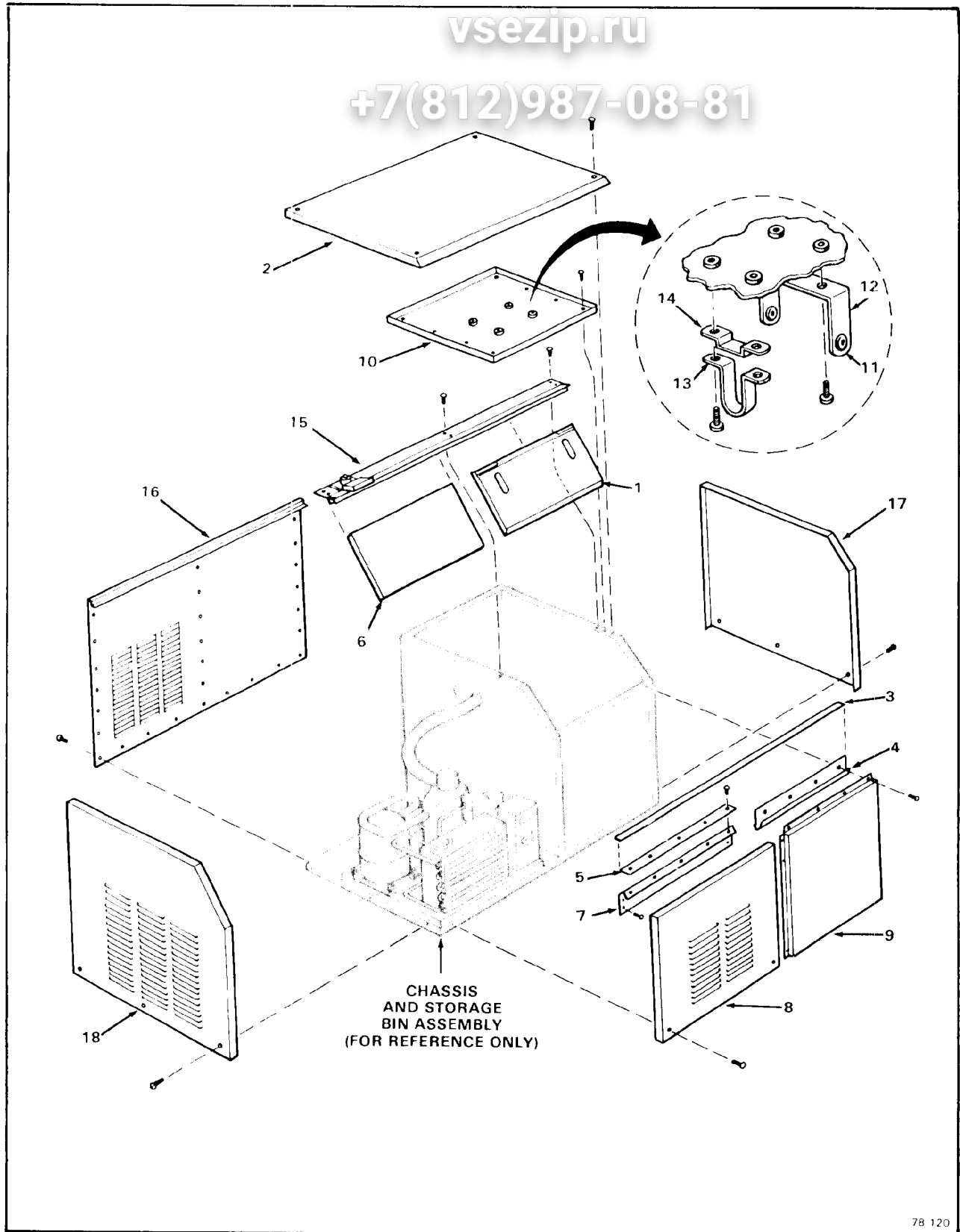
**Gearmotor**

**Control Box**

**Wiring Diagrams**

vsezip.ru

+7(812)987-08-81



78 120

Figure 8-1. AF-430 Cabinet.

Figure 8-1. AF-430 Cabinet

vsezip.ru

+7(812)987-08-81

| INDEX NO. | DESCRIPTION   | PART NUMBER                            | REQ'D NUMBER |
|-----------|---|--|--------------|
|           | AF-430 Cabinet<br>* * *   | No Number                              | 1            |
| 1         | Door, Ice Access (Orange w/C.R.S. Painted Cabinet)<br>Door, Ice Access (Gray w/Stainless Steel Cabinet)<br>* * *                      | 02-2130-01<br>02-2130-02               | 1<br>1       |
| 2         | Panel, Top (C.R.S.) Painted)<br>Panel, Top (Stainless Steel)<br>attaching parts, Index 2<br>Screw, No. 8 x 1-3/4 S/T Flat Hd<br>* * * | A24799-004<br>A24799-005<br>03-1419-19 | 1<br>1<br>4  |
| 3         | Insert, Plastic (43.44 in. lg.)<br>* * *  | 15-0324-00                             | 1            |
| 4         | Strip, Moulding — Right Side<br>attaching parts, Index 4 & 9<br>Screw, No. 8 x 3/8 S/T Flat Hd<br>* * *                               | 15-0620-01<br>03-1419-05               | 1<br>4       |
| 5         | Strip, Moulding — Left Side<br>attaching parts, Index 5 to 8<br>Screw, No. 8 x 3/8 S/T Flat Hd<br>* * *                               | 15-0578-01<br>03-1419-05               | 1<br>5       |
| 6         | Panel, Upper — Left Front (C.R.S. Painted)<br>Panel, Upper — Left Front (Stainless Steel)<br>* * *                                    | A24795-003<br>A24795-002               | 1<br>1       |
| 7         | Bracket, Left Front<br>attaching parts, Index 5 & 7<br>Screw, No. 8 x 1/2 T/F Tap<br>* * *  | A24787-001<br>03-1404-09               | 1<br>4       |
| 8         | Panel, Lower — Left Front (C.R.S. Painted)<br>Panel, Lower — Left Front (Stainless Steel)   | A24796-003<br>A24796-004               | 1<br>1       |

Figure 8-1. AF-430 Cabinet. (cont'd)

| INDEX NO. | DESCRIPTION  | PART NUMBER | REQ'D NUMBER |
|-----------|--|-------------|--------------|
|           | attaching parts, Index 8                                     |             |              |
|           | Screw, No. 8 x 1-1/2 S/T Flat Hd<br>* * *                    | 03-1419-16  | 2            |
| 9         | Panel, Right Front (C.R.S. Painted)                          | A24794-003  | 1            |
|           | Panel, Right Front (Stainless Steel)                         | A24794-002  | 1            |
|           | attaching parts, Index 4 & 9                                 |             |              |
|           | Screw, No. 8 x 3/8 S/T Flat Hd<br>* * *                      | 03-1419-05  | Ref.         |
| 10        | Cover, Storage Bin   | A27980-001  | 1            |
|           | attaching parts, Index 10                                    |             |              |
|           | Screw, No. 8 x 1/2 T/F Tap<br>* * *                          | 03-1404-09  | 10           |
| 11        | Grommet  | 13-0557-00  | 2            |
| 12        | Bracket, Bin Thermo  | A27924-001  | 1            |
| 13        | Holder, Tube   | A27922-001  | 1            |
| 14        | Retainer, Tube   | A27923-001  | 1            |
|           | attaching parts, Index 12, 13, 14 to 10                      |             |              |
|           | Screw, Thumb -- No. 10-24 x 1/2 Knurled Hd<br>* * *          | 03-0727-00  | 4            |
| 15        | Track Assembly, Door   | A28823-001  | 1            |
|           | attaching parts, Index 15                                    |             |              |
|           | Screw, No. 8 x 1/2 T/F Tap<br>* * *                          | 03-1404-09  | 6            |
| 16        | Panel, Back (Galvanized Steel)                               | A27033-003  | 1            |
|           | attaching parts, Index 16                                    |             |              |
|           | Lockwasher, No. 8 External Tooth -- Carbon Steel Zinc Plated | 03-1417-03  | 4            |
|           | Screw, No. 8 x 1/2 T/F Tap<br>* * *                          | 03-1404-09  | 27           |
| 17        | Panel, Right Side (C.R.S. Painted)                           | A24800-003  | 1            |
|           | Panel, Right Side (Stainless Steel)                          | A24800-002  | 1            |

# Зип Общепит

Figure 8-1. AF-430 Cabinet. (cont'd)

| INDEX NO. | DESCRIPTION  | PART NUMBER | REQ'D NUMBER |
|-----------|--|-------------|--------------|
| 18        | attaching parts, Index 17                                    |             |              |
|           | Screw, No. 8 x 1/2 T/F Tap (SS)                              | 03-1404-10  | 5            |
|           | ***  |             |              |
|           | Panel, Left Side (C.R.S. Painted)                            | A27034-003  | 1            |
|           | Panel, Left Side (Stainless Steel)                           | A27034-002  | 1            |
|           | attaching parts, Index 18                                    |             |              |
|           | Lockwasher, No. 8 External Tooth -- Carbon Steel Zinc Plated | 03-1417-03  | 2            |
|           | Screw, No. 8 x 1/2 T/F Tap (SS)                              | 03-1404-10  | 3            |

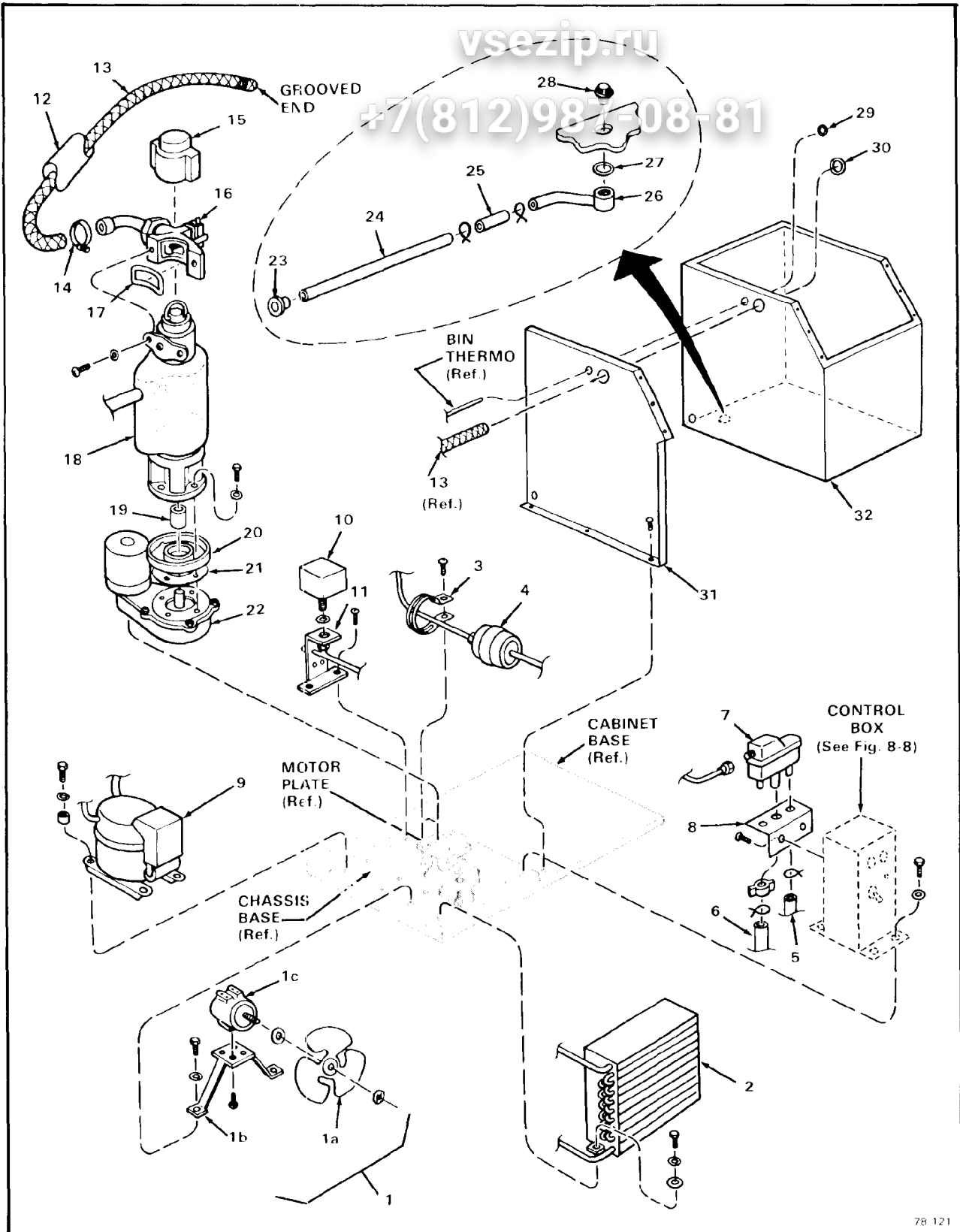


Figure 8-2. Major Assemblies - Air-Cooled Models.

# Зип Общепит

Figure 8-2. Major Assemblies — Air-Cooled Models

vsezip.ru

+7(812)987-08-81

| INDEX NO. | DESCRIPTION   | PART NUMBER | REQ'D NUMBER |
|-----------|---|-------------|--------------|
|           | Major Assemblies - Air-Cooled Models<br>* * *                 | No. Number  | Ref.         |
| 1         | Bracket Assembly, Fan Motor and Mounting                      | No Number   | 1            |
| 1a        | Blade, Fan  | 18-3309-01  | 1            |
|           | Pad, Vibration (p/o Fan Motor)                                | No Number   | 1            |
|           | Nut, Fan Mounting (p/o Fan Blade)                             | No Number   | 1            |
| 1b        | Bracket, Fan Mounting   | 18-0422-00  | 1            |
| 1c        | Motor, Fan  | 12-1576-01  | 1            |
|           | attaching parts, Index 1c to 1b                               |             |              |
|           | Screw (p/o Fan Motor)   | No Number   | 4            |
|           | attaching parts, Index 1 to Chassis base                      |             |              |
|           | Lockwasher, No. 1/4 External Tooth - Carbon Steel Zinc Plated | 03-1417-09  | 2            |
|           | Screw, No. 1/4-20 x 1/2 T/C Hex Hd                            | 03-0571-00  | 2            |
|           | * * *   |             |              |
| 2         | Condenser - Air-Cooled  | 18-3717-01  | 1            |
|           | attaching parts, Index 2                                      |             |              |
|           | Lockwasher, No. 1/4 External Tooth - Carbon Steel Zinc Plated | 03-1417-09  | 2            |
|           | Screw, No. 1/4-20 x 1/2 T/C Hex Hd                            | 03-0571-00  | 2            |
|           | * * *   |             |              |
| 3         | Brace, Drier  | A09386-000  | 1            |
| 4         | Drier   | 02-2426-01  | 1            |
|           | attaching parts, Index 3 and 4                                |             |              |
|           | Screw, No. 10-16 x 3/4 S/T                                    | 03-1360-01  | 1            |
|           | * * *   |             |              |
| 5         | Tube (Reservoir Overflow to Drip Pan)                         | 13-0079-03  | 1            |
| 6         | Tube (Reservoir to Freezer Inlet)                             | 13-0674-09  | 1            |
|           | attaching parts, Index 5 and 6                                |             |              |
|           | Clamp (Index 5)   | 02-0535-00  | 1            |
|           | Clamp (Index 6)   | 02-0694-00  | 2            |
|           | * * *   |             |              |

Figure 8-2. Major Assemblies — Air-Cooled Models (Cont'd)

| INDEX NO. | DESCRIPTION  | PART NUMBER | REQ'D NUMBER |
|-----------|--|-------------|--------------|
| 7         | Reservoir  | 02-2217-01  | 1            |
|           | Valve Assembly, Float (Not Shown)<br>attaching parts, Index 7  | 02-2217-02  | 1            |
|           | Wing Nut (p/o Reservoir)<br>* * *                              | No Number   | 1            |
| 8         | Bracket, Mounting<br>attaching parts, Index 8                  | A20959-000  | 1            |
|           | Screw, No. 8-18 x 1/2 Phil Pan Hd<br>* * *                     | 03-1572-01  | 2            |
|           |  |             |              |
| 9         | Compressor<br>(See Figure 8-4)<br>attaching parts, Index 9     | 18-4500-01  | 1            |
|           | Grommet  | 18-2200-28  | 4            |
|           | Sleeve, Mounting   | 18-2200-27  | 4            |
|           | Lockwasher, No. 5/16 External Tooth - Carbon Steel Zinc Plated | 03-1417-12  | 4            |
|           | Washer, Special  | 03-1408-24  | 4            |
|           | Screw, No. 5/16-18 x 1-3/4 Hex Cap<br>* * *                    | 03-1405-40  | 4            |
|           |  |             |              |
| 10        | Control, Pressure - H <sup>2</sup> O                           | 11-0296-00  | 1            |
| 11        | Bracket, Utility   | A27993 001  | 1            |
|           | O-Ring<br>attaching parts, Index 10 and 11                     | 13 0617 26  | 1            |
|           | Nut, Pal   | 03-1394-00  | 1            |
|           | Screw, No. 10-16 x 3/4 S/T<br>* * *                            | 03-1360-01  | 2            |
|           |  |             |              |
| 12        | Covering, Tube   | 13-0279-00  | 1            |
| 13        | Tube, Ice  | A28042-006  | 1            |
|           | attaching parts, Index 12 and 13                               |             |              |
| 14        | Clamp, Hose<br>* * *   | 02-0179-02  | 1            |



Figure 8-2. Major Assemblies — Air-Cooled Models (Cont'd)

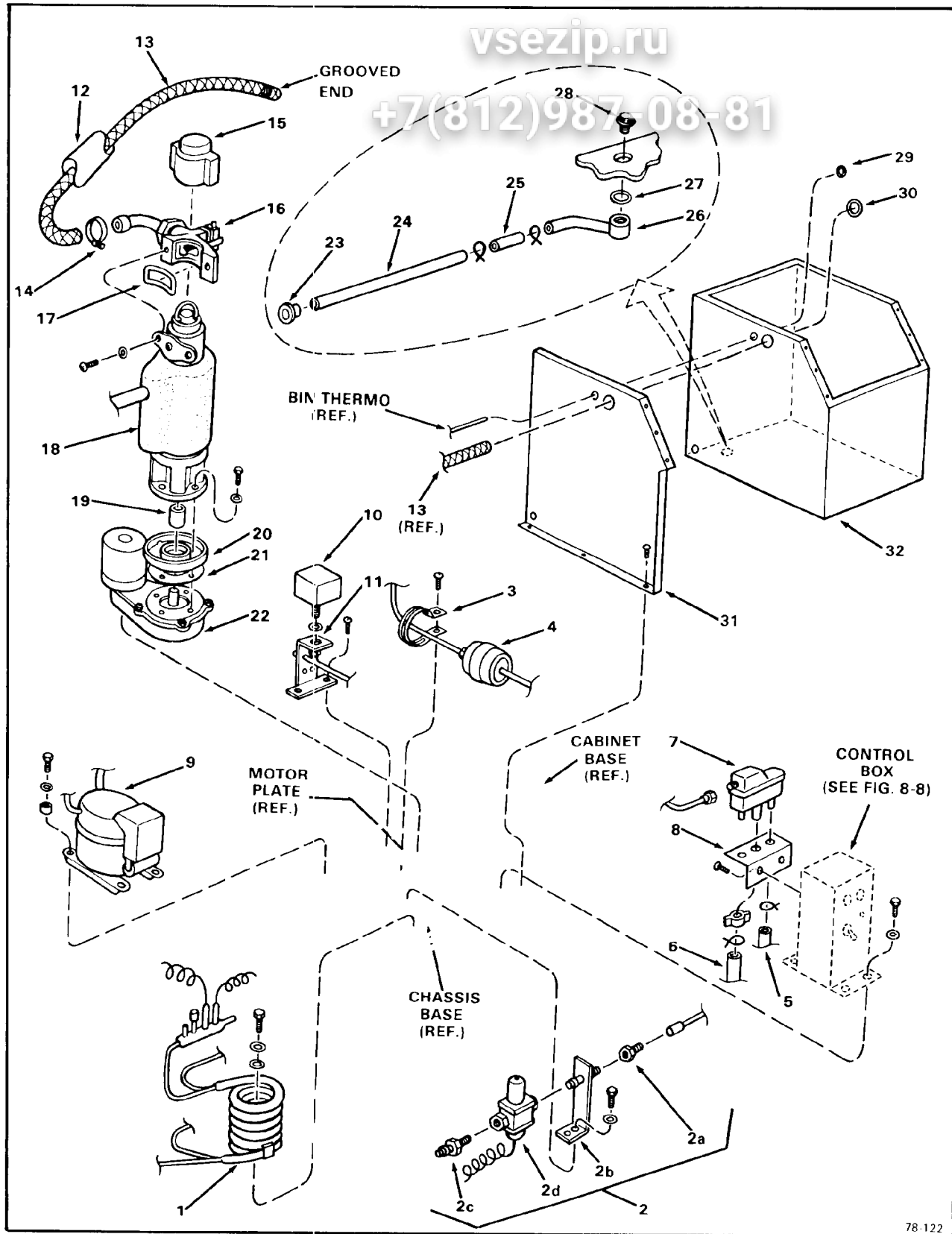
| INDEX NO. | DESCRIPTION   | PART NUMBER                            | REQ'D NUMBER |
|-----------|---|--|--------------|
| 15        | Cap, Freezer<br>* * *   | 13-0815-01                             | 1            |
| 16        | Spout Assembly<br>(See Figure 8-5)  | No Number                              | 1            |
| 17        | Gasket, Spout<br>attaching parts, Index 16 and 17<br>Washer, No. 1/4 Internal Tooth - Phosphor Bronze<br>Screw, No. 1/4-20 x 1 Soc-Hd Cap (SS)<br>* * *                           | 13-0679-00<br>03-1417-07<br>03-1544-03 | 1<br>2<br>2  |
| 18        | Freezer Assembly<br>(See Figure 8-6)<br>attaching parts, Index 18<br>Lockwasher, No. 5/16 External Tooth - Carbon Steel Zinc Plated<br>Screw, No. 5/16-18 x 3/4 Hex Cap<br>* * *  | No Number<br>03-1417-12<br>03-1420-04  | 1<br>3<br>3  |
| 19        | Coupling<br>* * *   | 15-0575-01                             | 1            |
| 20        | Pan, Drip<br>* * *  | A18153-000                             | 1            |
| 21        | Gasket<br>* * *   | 13-0628-00                             | 1            |
| 22        | Drivemotor Assembly<br>(See Figure 8-7)<br>attaching parts, Index 22<br>Lockwasher, No. 1/4 External Tooth - Carbon Steel Zinc Plated<br>Screw, No. 1/4-20 x 1/2 Hex Cap<br>* * * | A31977-021<br>03-1417-09<br>03-1405-03 | 1<br>4<br>4  |
| 23        | Bushing, Snap<br>* * *  | 12-1213-10                             | 1            |
| 24        | Tube, Bin Drain   | No Number                              | 1            |

Figure 8-2. Major Assemblies — Air-Cooled Models (Cont'd)

| INDEX NO.   | DESCRIPTION                                       | PART NUMBER | REQ'D NUMBER |
|---|---|-------------|--------------|
| 25  | Tube, Tygon<br>attaching parts, Index 24, 25, 26  | 13-0674-06  | 1            |
|   | Clamp, Hose<br>* * *                              | 02-1338-00  | 2            |
| 26  | Drain Bin   | A27018-001  | 1            |
| 27  | O-Ring<br>attaching parts, Index 26, 27, 28 to 32 | 13-0617-11  | 1            |
| 28  | Top, Drain (screws into Index 26)<br>* * *        | 02-1741-00  | 1            |
| 29  | Grommet<br>* * *                                  | 13-0557-01  | 1            |
| 30  | Pad, Sealing<br>* * *                             | 13-0806-01  | 1            |
| 31  | Retainer, Insulation<br>attaching parts, Index 31 | No Number   | 1            |
|   | Screw, No. 8 x 1/2 T/F Tap<br>* * *               | 03-1404-09  | 3            |
| 32  | Bin, Storage<br>* * *                             | 02-2762-02  | 1            |
| NOTE: See Figure 8-8 for replacement parts within the Control Box Assembly. |   |             |              |

vsezip.ru

+7(812)987-08-81



78.122

Figure 8-3. Major Assemblies - Water-Cooled

*Figure 8-3. Major Assemblies — Water-Cooled Models*

| INDEX NO. | DESCRIPTION  | PART NUMBER                                | REQ'D NUMBER    |
|-----------|--|--|-----------------|
|           | Major Assemblies - Water-Cooled Model<br>* * *   | No Number                                  | Ref.            |
| 1         | Condenser - Water-Cooled<br>attaching parts, Index 1<br>Lockwasher, No. 1/4 External Tooth - Carbon Steel Zinc Plated<br>Screw, No. 1/4-20 x 1/2 T/C Hex Hd<br>* * * | 18-3303-02<br><br>03-1417-09<br>03-0571-00 | 1<br><br>2<br>2 |
| 2         | Regulator Assembly, Water<br>attaching parts, Index 2<br>Lockwasher, No. 1/4 External Tooth - Carbon Steel Zinc Plated<br>Screw, No. 1/4-20 x 1/2 T/C Hex Hd         | No Number<br><br>03-1417-09<br>03-0571-00  | 1<br><br>2<br>2 |
| 2a        | Union, Half - No. 5/8-18 x 3/8 Flare   | 16-0677-01                                 | 1               |
| 2b        | Nipple Assembly, Pipe (w/Bracket)  | A15924-000                                 | 1               |
| 2c        | Coupling - 3/8 NPT x 3/8 Flare Brass   | 16-0355-00                                 | 1               |
| 2d        | Valve, Water Regulator<br>* * *  | 11-0198-02                                 | 1               |
| 3         | Brace, Drier   | A09386-000                                 | 1               |
| 4         | Drier<br>attaching parts, Index 3 and 4<br>Screw, No. 10-16 x 3/4 S/T<br>* * *   | 02-2426-01<br><br>03-1360-01               | 1<br><br>1      |
| 5         | Tube (Reservoir Overflow to Drip Pan)  | 13-0079-03                                 | 1               |
| 6         | Tube (Reservoir to Freezer Inlet)<br>attaching parts, Index 5 and 6<br>Clamp (Index 5)<br>Clamp (Index 6)<br>* * *   | 13-0674-09<br><br>02-0535-00<br>02-0694-00 | 1<br><br>1<br>2 |
| 7         | Reservoir<br>Valve Assembly, Float (Not shown)   | 02-2217-01<br>02-2217-02                   | 1<br>1          |

Figure 8-3. Major Assemblies - Water-Cooled Models (Cont'd)

| INDEX NO. | DESCRIPTION  | PART NUMBER | REQ'D NUMBER |
|-----------|--|-------------|--------------|
|           | attaching parts, Index 7                                       |             |              |
|           | Wing Nut (p/o Reservoir)                                       | No Number   | 1            |
|           | * * *  |             |              |
| 8         | Bracket, Mounting  | A20959-000  | 1            |
|           | attaching parts, Index 8                                       |             |              |
|           | Screw, No. 8-18 x 1/2 S/T Phil Pan Hd                          | 03-1572-01  | 2            |
|           | * * *  |             |              |
| 9         | Compressor<br>(See Figure 8-4)                                 | 18-4500-01  | 1            |
|           | attaching parts, Index 9                                       |             |              |
|           | Grommet  | 18-2200-28  | 4            |
|           | Sleeve, Mounting   | 18-2200-27  | 4            |
|           | Lockwasher, No. 5/16 External Tooth - Carbon Steel Zinc Plated | 03-1417-12  | 4            |
|           | Washer, Special  | 03-1408-24  | 4            |
|           | Screw, No. 5/16-18 x 1-3/4 Hex Cap                             | 03-1405-40  | 4            |
|           | * * *  |             |              |
| 10        | Control, Pressure - H <sup>2</sup> O                           | 11-0296-00  | 1            |
| 11        | Bracket, Utility   | A27993-001  | 1            |
|           | O Ring   | 13-0617-26  | 1            |
|           | Bushing, Snap  | 12-1213-06  | 2            |
|           | attaching parts, Index 10 and 11                               |             |              |
|           | Nut, Pal   | 03-1394-00  | 1            |
|           | Screw, No. 10-16 x 3/4 S/T                                     | 03-1360-01  | 2            |
|           | * * *  |             |              |
| 12        | Covering, Tube   | 13-0279-00  | 1            |
| 13        | Tube, Ice  | A28042-001  | 1            |
|           | attaching parts, Index 12 and 13                               |             |              |
| 14        | Clamp, Hose  | 02-0179-02  | 1            |
|           | * * *  |             |              |
| 15        | Cap, Freezer   | 13-0815-01  | 1            |
|           | * * *  |             |              |

Figure 8-3. Major Assemblies — Water-Cooled Models (Cont'd)

| INDEX NO. | DESCRIPTION  | PART NUMBER                            | REQ'D NUMBER |
|-----------|--|--|--------------|
| 16        | Spout Assembly<br>(See Figure 8-5)<br>attaching parts, Index 16 and 17   | No Number                              | 1            |
| 17        | Gasket, Spout<br>Washer, No. 1/4 Internal Tooth - Phosphor Bronze<br>Screw, No. 1/4-20 x 1 Soc-Hd Cap<br>* * *   | 13-0679-00<br>03-1417-07<br>03-1544-03 | 1<br>2<br>2  |
| 18        | Freezer Assembly<br>(See Figure 8-6)<br>attaching parts, Index 18<br>Lockwasher, No. 5/16 External Tooth - Carbon Steel Zinc Plated<br>Screw, No. 5/16-18 x 3/4 Hex Cap<br>* * * | No Number<br>03-1417-12<br>03-1420-04  | 1<br>3<br>3  |
| 19        | Coupling<br>* * *  | 15-0575-01                             | 1            |
| 20        | Pan, Drip<br>* * *   | A18153-000                             | 1            |
| 21        | Gasket<br>* * *  | 13-0628-00                             | 1            |
| 22        | Drivemotor Assembly<br>(See Figure 8-7)<br>attaching parts, Index 22<br>Lockwasher, No. 1/4 External Toth - Carbon Steel Zinc Plated<br>Screw, No. 1/4-20 x 1/2 Hex Cap<br>* * * | A31977-021<br>03-1417-09<br>03-1405-03 | 1<br>4<br>4  |
| 23        | Bushing, Snap<br>* * *   | 12-1213-10                             | 1            |
| 24        | Tube, Bin Drain<br>* * *   | No Number                              | 1            |

Figure 8-3. Major Assemblies — Water-Cooled Models (Cont'd)

| INDEX NO. | DESCRIPTION  | PART NUMBER              | REQ'D NUMBER |
|-----------|--|--------------------------|--------------|
| 25        | Tube, Tygon<br>attaching parts, Index 24, 25, 26<br>Clamp Hose<br>* * *                  | 13-0674-06<br>02-1338-00 | 1<br>2       |
| 26        | Drain, Bin   | A27018-001               | 1            |
| 27        | O-Ring<br>attaching parts, Index 26, 27, 28 to 32  | 13-0617-11               | 1            |
| 28        | Top, Drain (Screws into Index 26)<br>* * *   | 02-1741-00               | 1            |
| 29        | Grommet<br>* * *   | 13-0557-01               | 1            |
| 30        | Pad, Sealing<br>* * *  | 13-0806-01               | 1            |
| 31        | Retainer, Insulation<br>attaching parts, Index 31<br>Screw, No. 8 x 1/2 T/F Tap<br>* * * | No Number<br>03-1404-09  | 1<br>3       |
| 32        | Bin Storage<br>* * *   | 02-2762-02               | 1            |
|           | NOTE: See Figure 8-8 for replacement parts within the Control Box Assembly.              |                          |              |

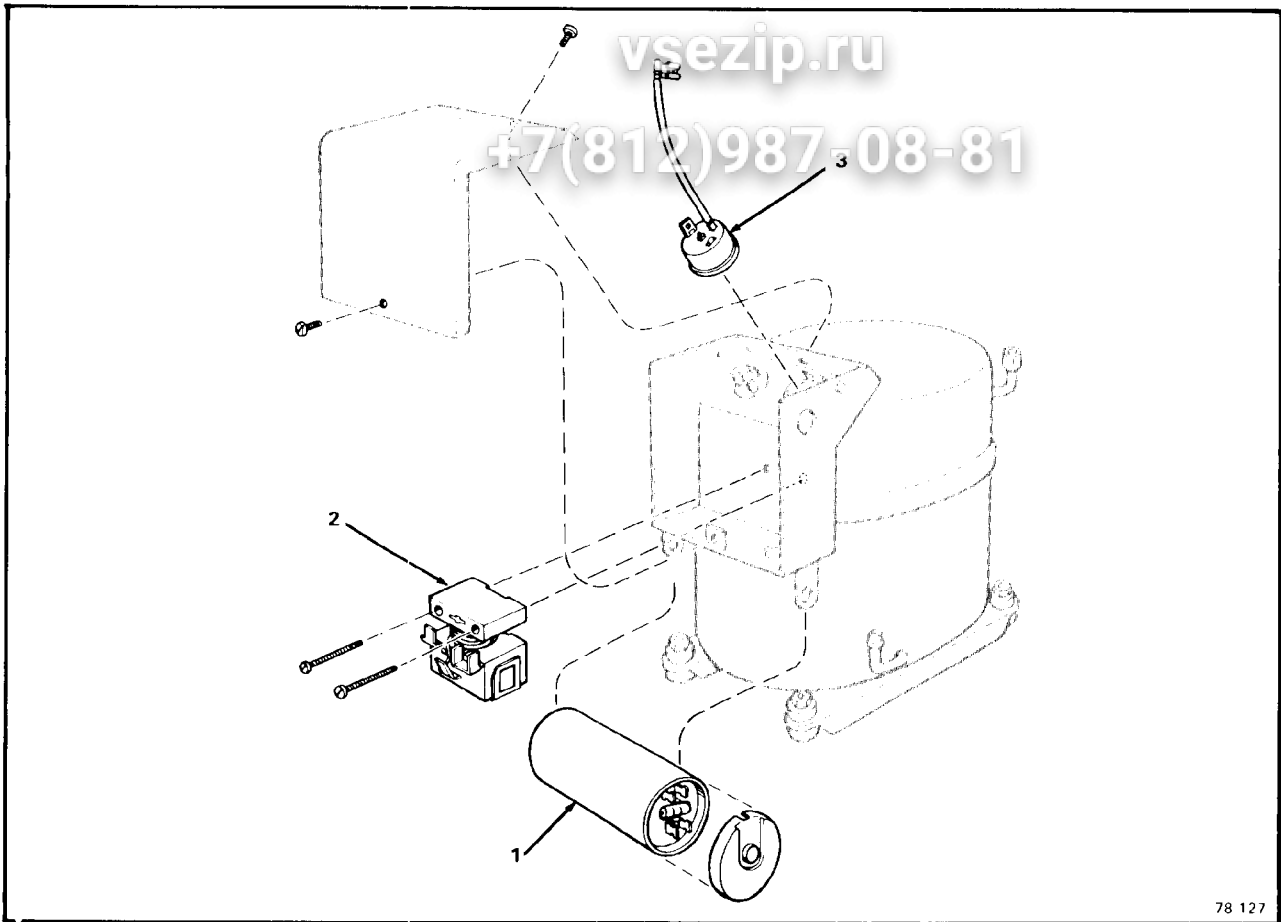


Figure 8-4. Compressor Assembly

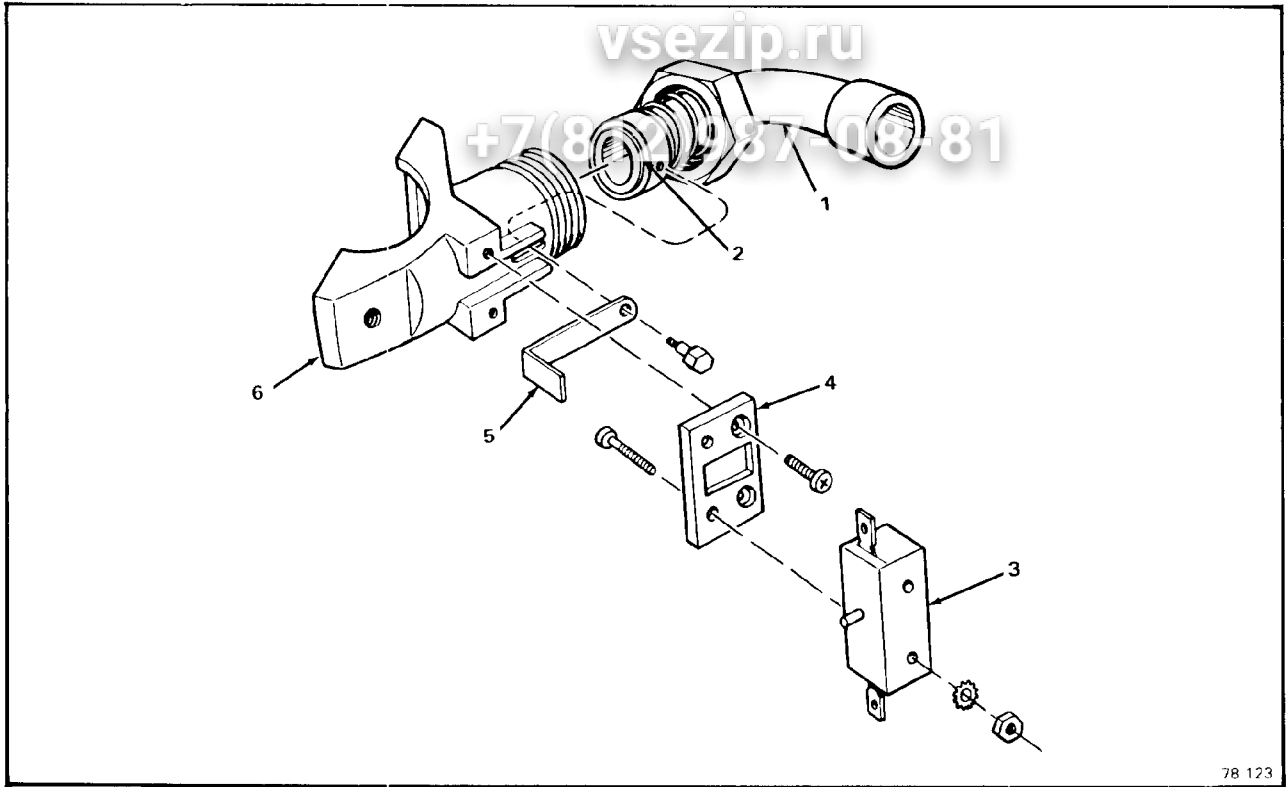
Figure 8-4. Compressor Assembly

| INDEX NO. | DESCRIPTION  | PART NUMBER | REQ'D NUMBER |
|-----------|--|-------------|--------------|
|           | Compressor Assembly<br>(See Figure/Index 8-2/9 and 8-3/9<br>for next higher Assembly)<br>* * * | 18-4500-01  | Ref.         |
| 1         | Capacitor - w/cap<br>* * *   | 18-1901-33  | 1            |
| 2         | Relay<br>* * *   | 18-2200-26  | 1            |
| 3         | Overload<br>* * *  | 18-2200-25  | 1            |



vsezip.ru

+7(800)237-08-81



78 123

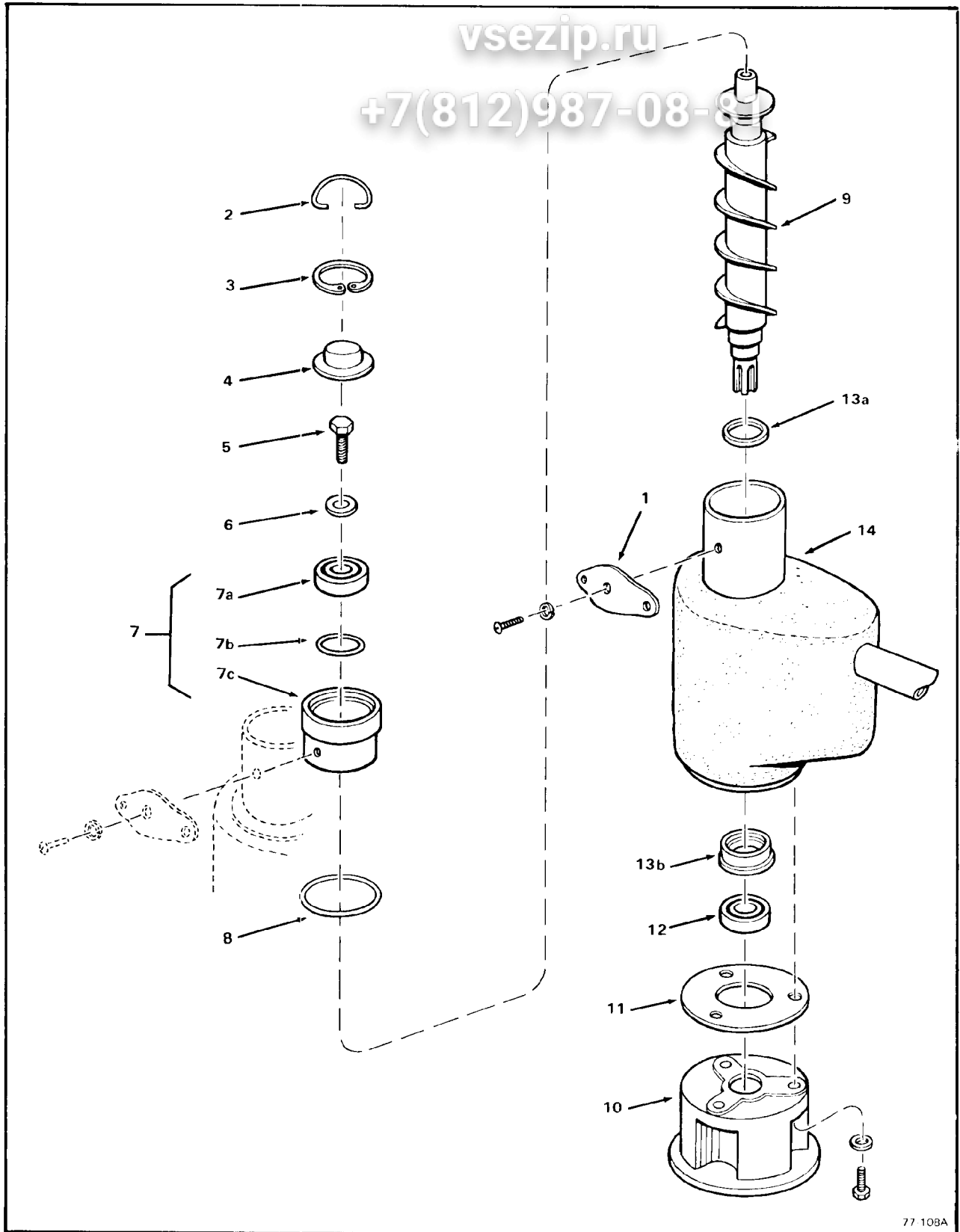
Figure 8-5. Spout Assembly.

Figure 8-5. Spout Assembly.

| INDEX NO. | DESCRIPTION   | PART NUMBER | REQ'D NUMBER |
|-----------|---|-------------|--------------|
|           | Spout Assembly<br>(See Figure/Index 8-2/16 and 8-3/16<br>for next higher Assembly)<br>* * * | No Number   | Ref.         |
| 1         | Tube, Ice Discharge<br>* * *  | A26542-001  | 1            |
| 2         | O-Ring<br>* * *   | 13-0617-41  | 1            |
| 3         | Switch<br>attaching parts, Index 3 to 4   | 12-1664-00  | 1            |
|           | Screw, No. 6-32 x 1 Flat Hd. Mach - Phil Recess   | 03-1418-38  | 2            |

Figure 8-5. Spout Assembly (Cont'd)

| INDEX NO. | DESCRIPTION                                       | PART NUMBER | REQ'D NUMBER |
|-----------|---|-------------|--------------|
|           | Lockwasher No. 6 External Tooth - Phosphor Bronze | 03-1417-01  | 2            |
|           | Nut, No. 6-32 Hex Mach Screw                      | 03-1406-01  | 2            |
|           | * * *   |             |              |
| 4         | Barrier, Thermal                                  | 02-2377-01  | 1            |
|           | attaching parts, Index 4 to 6                     |             |              |
|           | Screw, No. 6-32 x 3/8 Flat Hd Mach - Phil Recess  | 03-1418-01  | 2            |
|           | * * *   |             |              |
| 5         | Actuator, Switch                                  | A27511-001  | 1            |
|           | attaching parts, Index 5 to 6                     |             |              |
|           | Screw, Shoulder                                   | A25305-001  | 1            |
|           | * * *   |             |              |
| 6         | Spout   | A24934-001  | 1            |
|           | * * *   |             |              |



77 108A

Figure 8-6. Freezer Assembly — AF-430.

Figure 8-6. Freezer Assembly..

| INDEX NO. | DESCRIPTION   | PART NUMBER                                | REQ'D NUMBER    |
|-----------|---|--|-----------------|
|           | Freezer Assembly<br>(See Figure/Index 8-2/18 and 8-3/18<br>for next higher Assembly)<br>* * *   | No Number                                  | Ref.            |
| 1         | Plate, Spout<br>attaching parts, Index 1<br>Washer, No. 3 16 Non-Metallic<br>Screw, No. 10-24 x 3/8 Phil Recessed Hd Sealing<br>* * * | A18430-002<br><br>03-1409-14<br>03-1506-01 | 1<br><br>1<br>1 |
| 2         | Hook, Cap<br>* * *  | A08162-000                                 | 1               |
| 3         | Ring, Retaining<br>* * *  | 03-1558-03                                 | 1               |
| 4         | Cap<br>* * *  | A07701-000                                 | 1               |
| 5         | Screw, Cap  | 03-0758-00                                 | 1               |
| 6         | Washer<br>* * *   | A07699-000                                 | 1               |
| 7         | Bearing/Retainer - w/Bearing  | A26707-001                                 | 1               |
| 7a        | Bearing   | 02-0695-00                                 | 1               |
| 7b        | O-Ring  | 13-0617-16                                 | 1               |
| 7c        | Retainer, Bearing (Order P/N A26707-001)<br>* * *   | No Number                                  | Ref.            |
| 8         | O-Ring<br>* * *   | 13-0617-29                                 | 1               |
| 9         | Auger   | A29622-001                                 | 1               |
| 10        | Adaptor<br>attaching parts, Index 10  | 08-0595-01                                 | 1               |

# Зип Общепит

Figure 8-6. Freezer Assembly (Cont'd.)

vsezip.ru

+7(812)987-08-81

| INDEX NO. | DESCRIPTION                           | PART NUMBER | REQ'D NUMBER |
|-----------|---------------------------------------|-------------|--------------|
|           | Lockwasher, No. 5/16 Helical Spring   | 03-1410-04  | 3            |
|           | Screw, No. 5/16-18 x 7/8 Hex Cap      | 03-1405-42  | 3            |
|           | * * *                                 |             |              |
| 11        | Gasket                                | 03-1505-00  | 1            |
|           | * * *                                 |             |              |
| 12        | Bearing                               | 02-0417-00  | 1            |
|           | * * *                                 |             |              |
| 13        | Seal, Water                           | A18945-000  | 1            |
| 13a       | Seal, Upper (Fits on Index 9)         | No Number   | Ref.         |
| 13b       | Seal, Lower (Fits on top of Index 12) | No Number   | Ref.         |
|           | * * *                                 |             |              |
| 14        | Freezer - (Repair Assembly)           | A29344-020  | 1            |
|           | * * *                                 |             |              |

# Зип Общепит

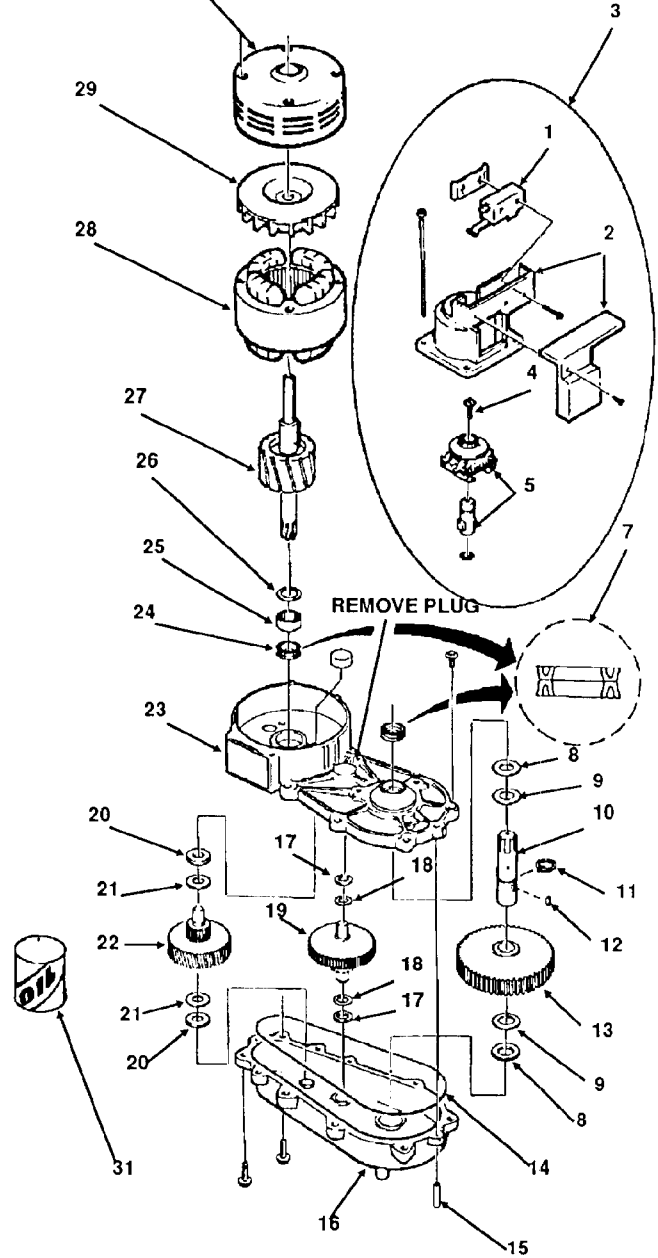
## AF430 SERVICE PARTS

### GEARMOTOR

vsezip.ru

+7(812)987-08-81

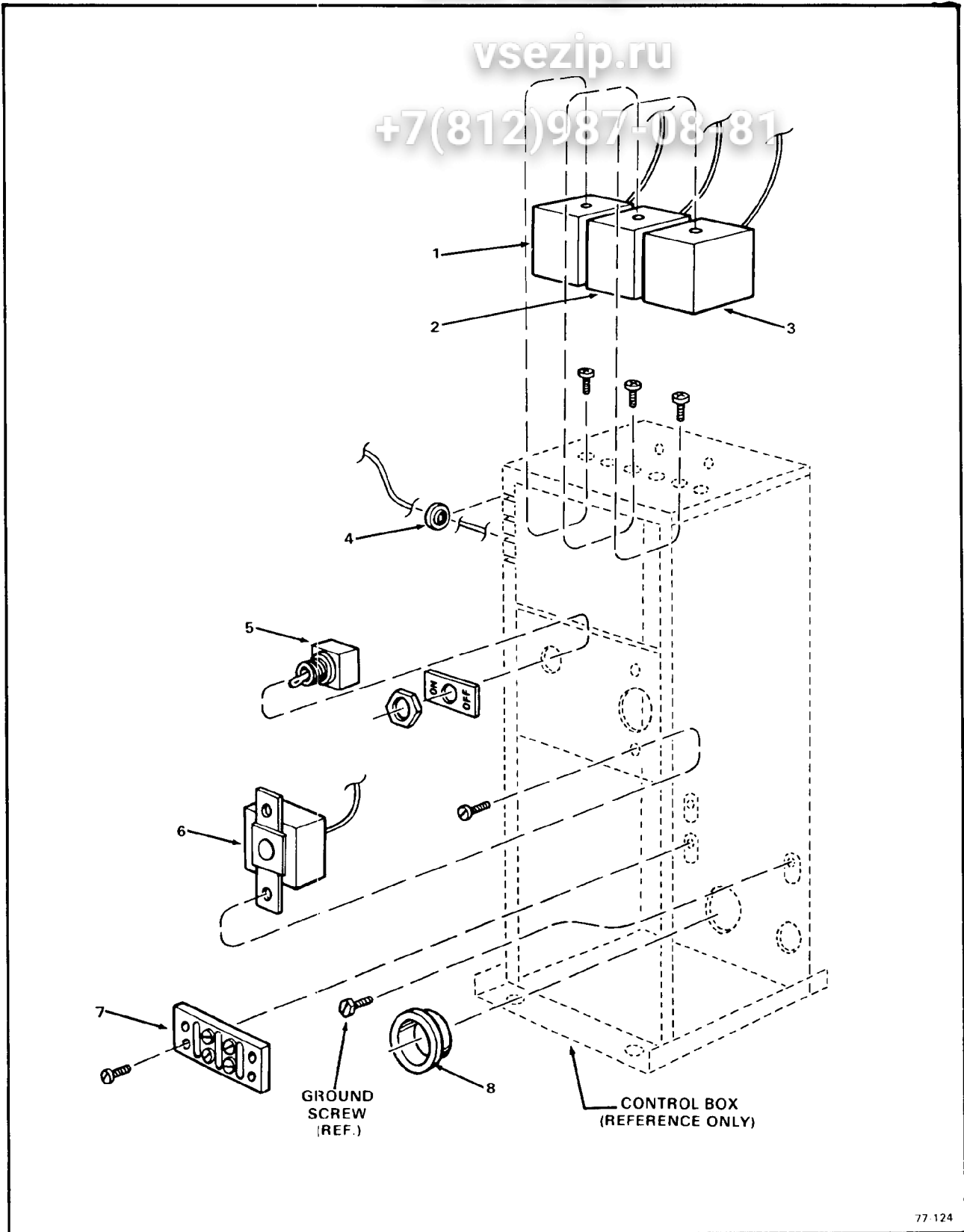
| ITEM NUMBER | PART NUMBER | DESCRIPTION                  |
|-------------|-------------|------------------------------|
| 1.          | 12-2059-01  | Switch                       |
| 2.          | A27895-001  | Housing                      |
| 3.          | A27494-001  | Centrifugal Sw. Kit          |
| 4.          | 03-1403-77  | Screw                        |
| 5.          | A30579-001  | Shaft and Actuator           |
| 6.          | 03-1408-36  | Washer                       |
| 7.          | 02-1503-00  | Grease seal                  |
| 8.          | 03-1408-21  | Washer                       |
| 9.          | 03-1408-04  | Washer                       |
| 10.         | 02-2445-01  | Output shaft                 |
| 11.         | 03-1515-03  | Retaining ring               |
| 12.         | 03-1602-01  | Woodruff Key                 |
| 13.         | 02-2444-01  | Output gear                  |
| 14.         | 02-1505-00  | O-ring                       |
| 15.         | 03-0774-11  | Roll pin                     |
| 16.         | A28166-001  | Gear Case                    |
| 17.         | 03-1408-39  | Washer                       |
| 18.         | 03-1408-40  | Washer shim                  |
| 19.         | 02-2439-01  | Second gear and third pinion |
| 20.         | 03-1408-41  | Washer                       |
| 21.         | 03-1408-38  | Washer                       |
| 22.         | 02-2438-01  | First gear and second pinion |
| 23.         | A28165-021  | Gear box cover               |
| 24.         | 02-1504-00  | Grease seal                  |
| 25.         | 02-1501-00  | Bearing                      |
| 26.         | 03-1408-08  | Washer                       |
| 27.         | A31978-001  | Rotor for A31977             |
| 28.         | A28160-001  | Rotor for A28151             |
| 29.         | 12-2302-01  | Stator for A31977            |
| 30.         | 12-1400-01  | Stator for A28151            |
| 31.         | A28168-001  | Fan                          |
| 32.         | A17047-002  | Motor Housing with bearing   |
| 33.         | A25835-001  | Oil                          |
| 34.         | A31977-021  | Complete Gear Mot Assembly   |



Зип Общепит

vsezip.ru

+7(812)987-08-81



77-124

Figure 8-8. Control Box Assembly.

Figure 8-8. Control Box Assembly - AF-430.

| INDEX NO. | DESCRIPTION  | PART NUMBER | REQ'D NUMBER |
|-----------|--|-------------|--------------|
|           | Control Box Assembly - AF-430<br>(See Figure 8-2/8-3<br>for next higher Assembly)<br>* * *                     | No Number   | Ref.         |
| 1         | Control, Low-Pressure<br>attaching parts, Index 1<br>Screw, No. 6-32 x 1/4 Pan Hd<br>* * *                     | 11-0420-01  | 1            |
|           |  | 03-1403-02  | 2            |
| 2         | Control, Hi-Pressure (Water-Cooled Model)<br>attaching parts, Index 2<br>Screw, No. 6-32 x 1/4 Pan Hd<br>* * * | 11-0388-02  | 1            |
|           |  | 03-1403-02  | 2            |
| 3         | Control, Auger Delay<br>attaching parts, Index 3<br>Screw, No. 6-32 x 1/4 Pan Hd<br>* * *                      | 11-0402-01  | 1            |
|           |  | 03-1403-02  | 2            |
| 4         | Grommet<br>* * *   | 13-0557-00  | 4            |
| 5         | Switch, Toggle<br>* * *  | 12-0426-01  | 1            |
| 6         | Thermostat, Bin<br>attaching parts, Index 6<br>Screw, No. 8-32 x 3/8 Phil Recess Pan Hd<br>* * *               | 11-0354-00  | 1            |
|           |  | 03-1403-17  | 2            |
| 7         | Board, Terminal<br>attaching parts, Index 7<br>Screw, No. 8-32 x 3/4 Phil Recess Pan Hd<br>* * *               | 12-0813-04  | 1            |
|           |  | 03-1403-21  | 2            |
| 8         | Bushing, Snap<br>* * *   | 12-1213-12  | 1            |





vsezip.ru

+7(812)987-08-81

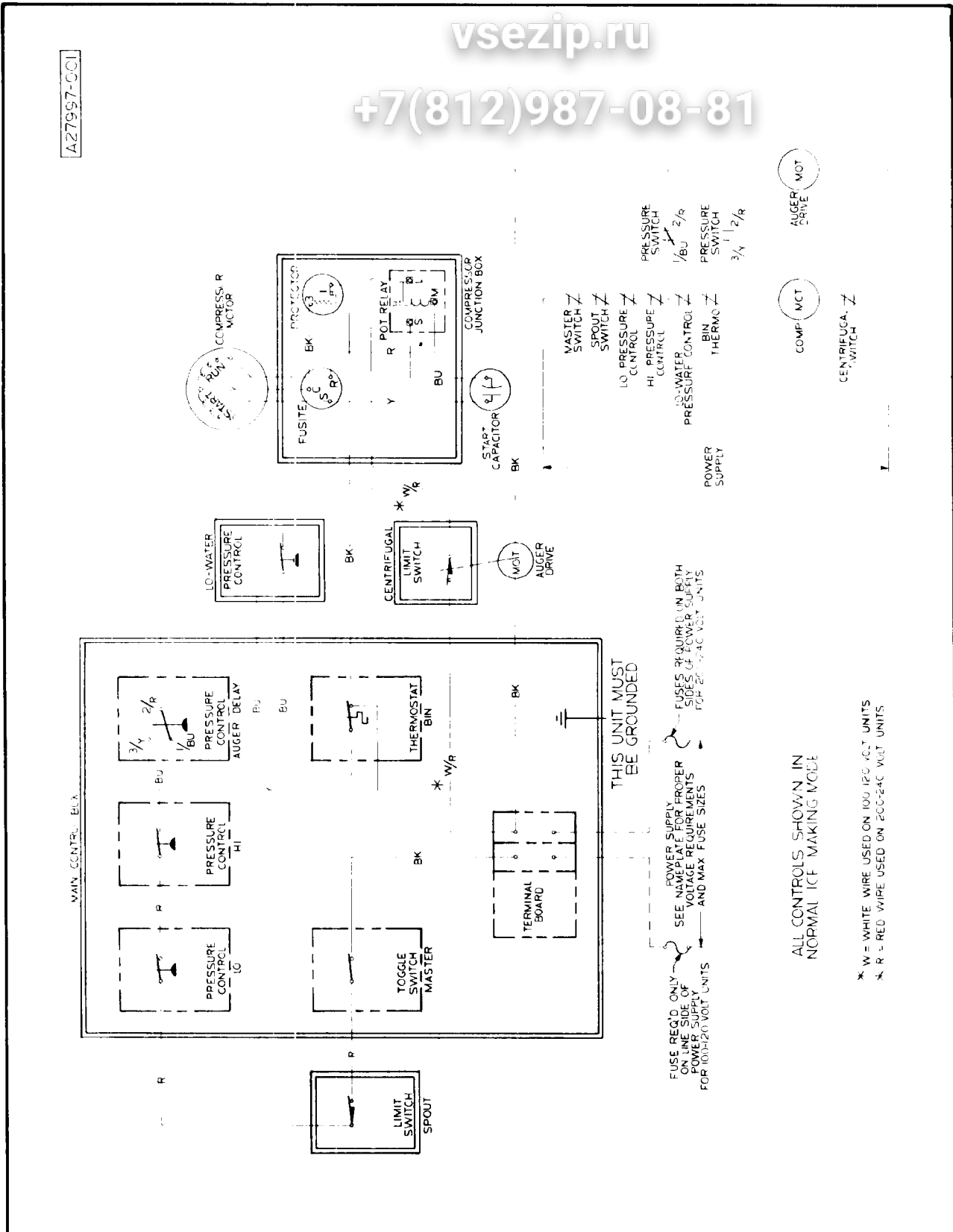


Figure 7-2. Wiring Diagram AF-430 - Water-Cooled.