

Зип Общепит

vsezip.ru

AF1D Parts List

+7(812)987-08-81

Table of Contents

Cabinet

Refrigeration

Water and Drainage

Freezer

Gear Motor

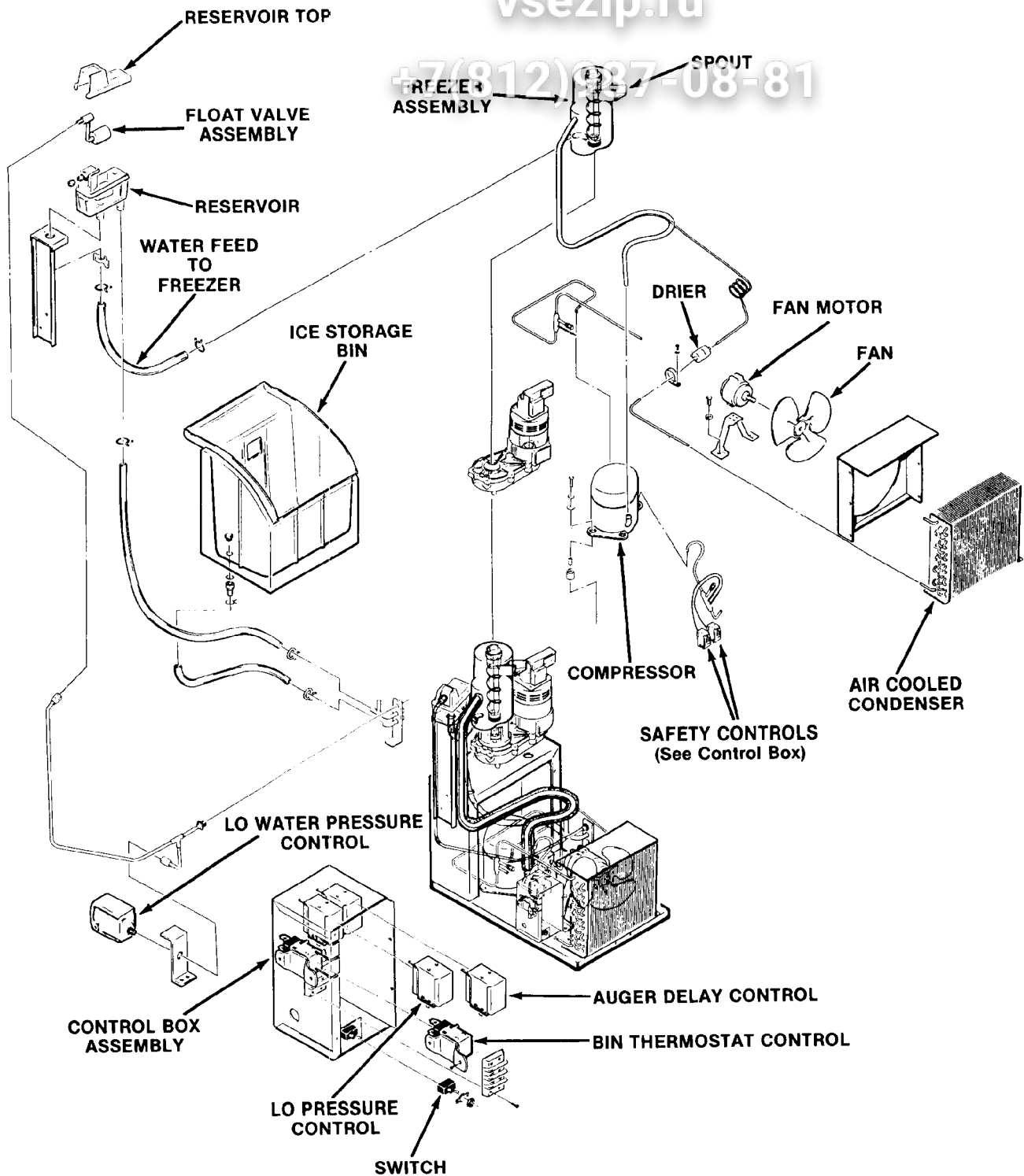
Control Box

Wiring Diagrams

AF1 THE PARTS ILLUSTRATIONS AND PARTS LISTS

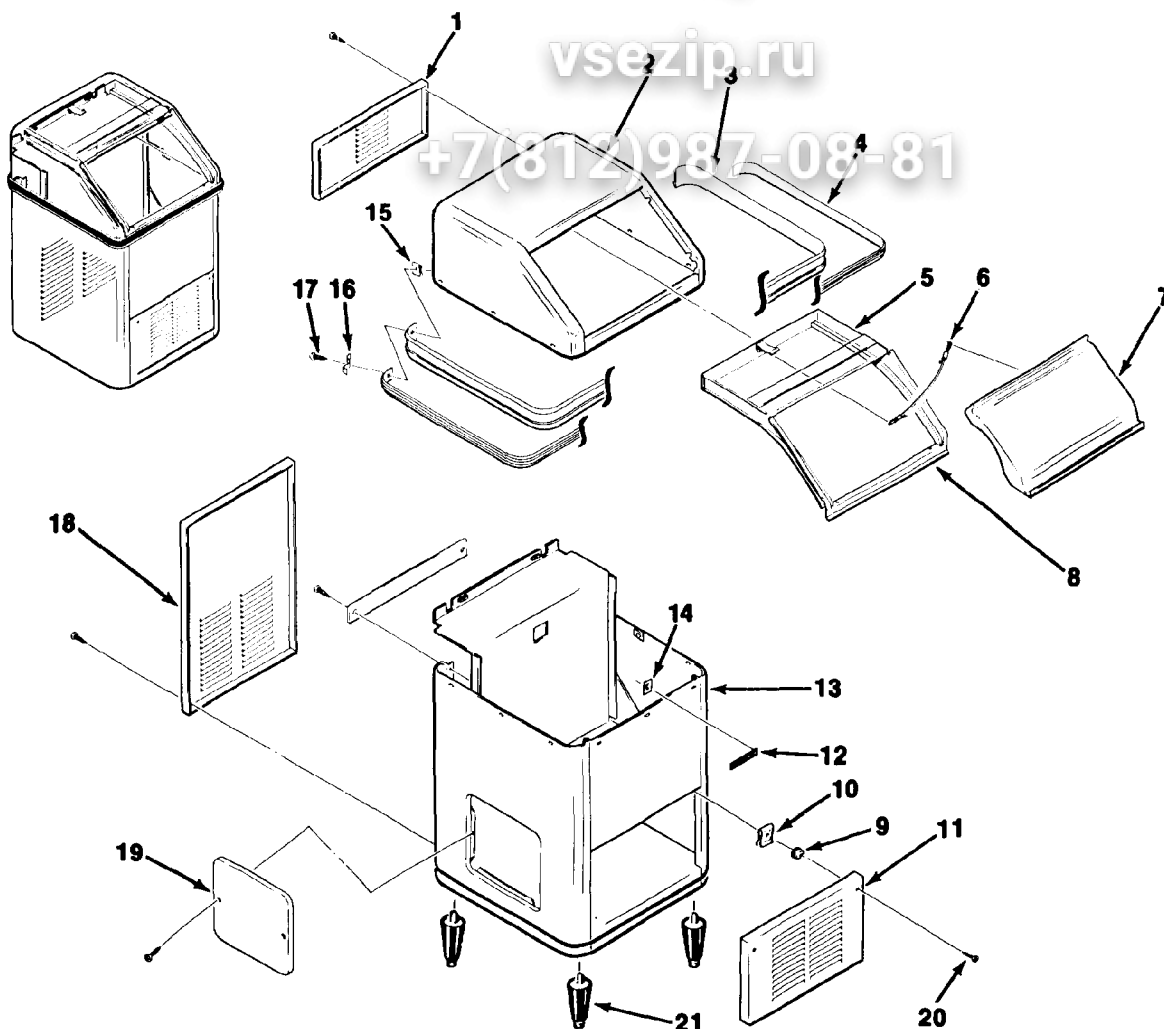
vsezip.ru

+7(812)937-08-81



AF1 Flaked Icemaker
Component Location

AF1 THE PARTS ILLUSTRATIONS AND PARTS LISTS



CABINET ASSEMBLY

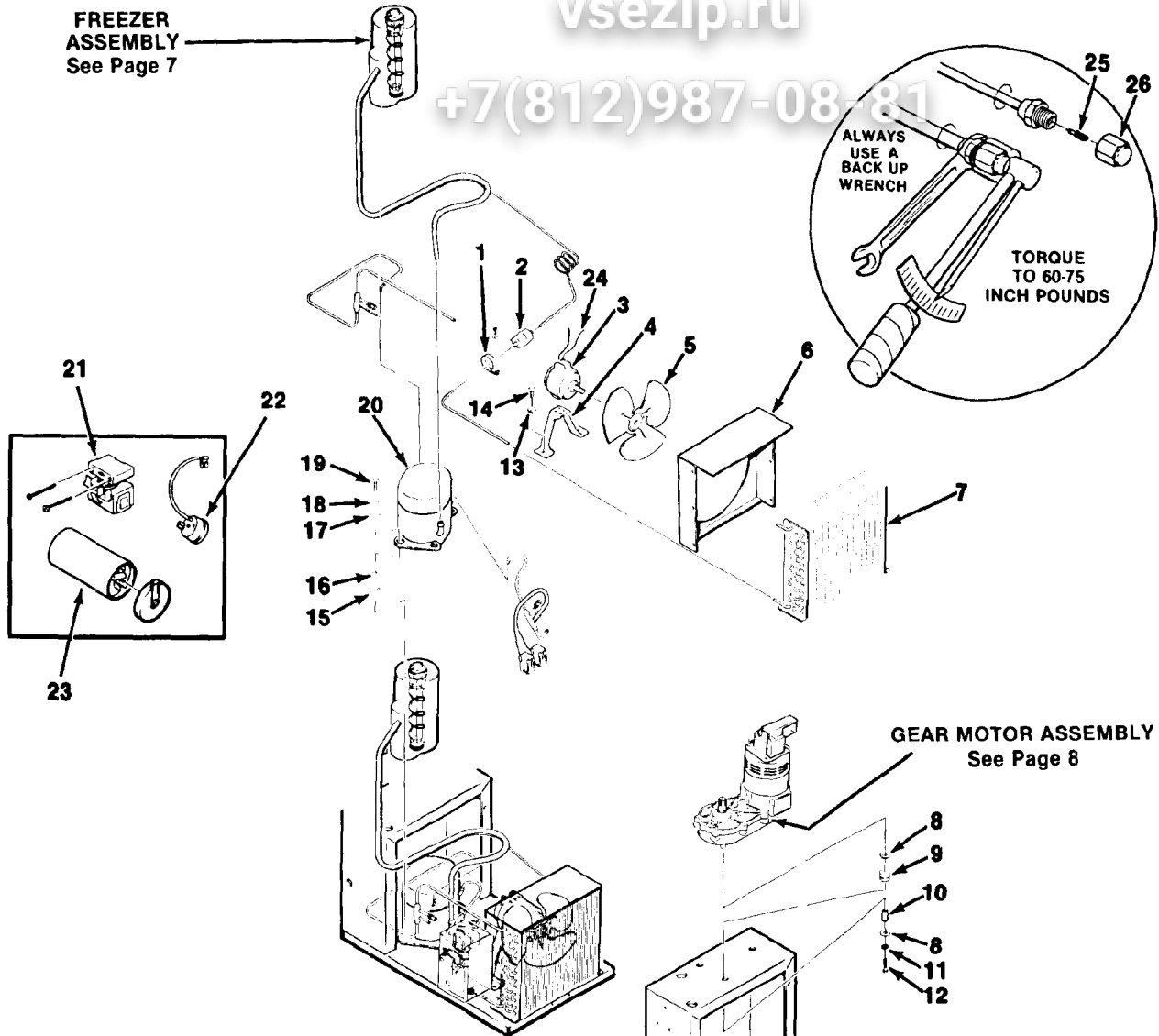
ITEM NUMBER	PART NUMBER	DESCRIPTION			
1	A25325-003	Hood Panel, Rear (Enamel)	11	A24427-003	Front Door Assembly (Enamel)
	A25325-002	Hood Panel, Rear (Stainless Steel)	12	A24427-002	Front Door Assembly (Stainless Steel)
2	A24429-003	Hood Assembly (Enamel)	13	A25847-003	Case Assembly (Enamel)
	A24429-002	Hood Assembly (Stainless Steel)		A25847-002	Case Assembly (Stainless Steel)
3	A25342-001	Moulding Strip (Enamel)	14	03-0271-00	Push Nut (2)
4	15-0324-00	Plastic Insert, per foot (7)	15	03-1507-00	Speed Nut
5	A16208-000	Door Track	16	S08983-000	Clip (2)
6	02-1736-00	Door Lanyard	17	03-1419-07	Screw
7	02-1735-01	Door Access (Enamel)	18	A25326-003	Case Panel, Rear (Enamel)
	02-1735-02	Door Access (Stainless Steel)		A25326-002	Case Panel, Rear (Stainless Steel)
8	03-1195-00	Hood Guide (3)	19	A07676-006	Service Door (Enamel)
9	13-0113-00	Door Grommet (2)		A07676-00S	Service Door (Stainless Steel)
10	03-1423-06	Speed Nut (2)	20	03-1419-09	Screw
			21	KLP2E	Enamel
				KLP2S	Stainless Steel

AF1 THE PARTS ILLUSTRATIONS AND PARTS LISTS

Зип Общепит

vsezip.ru

+7(812)987-08 81



REFRIGERATION ASSEMBLY

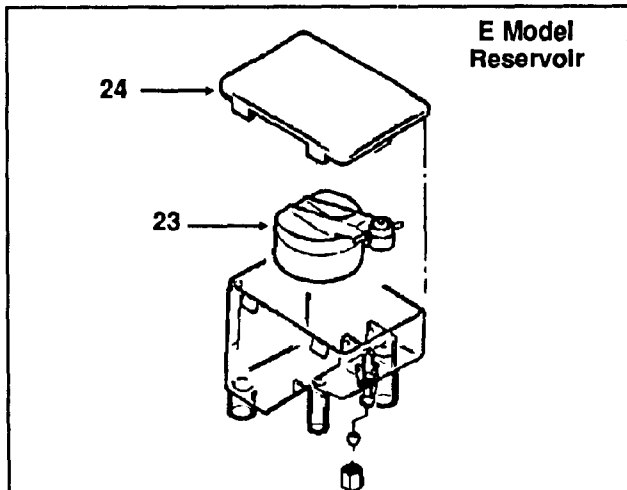
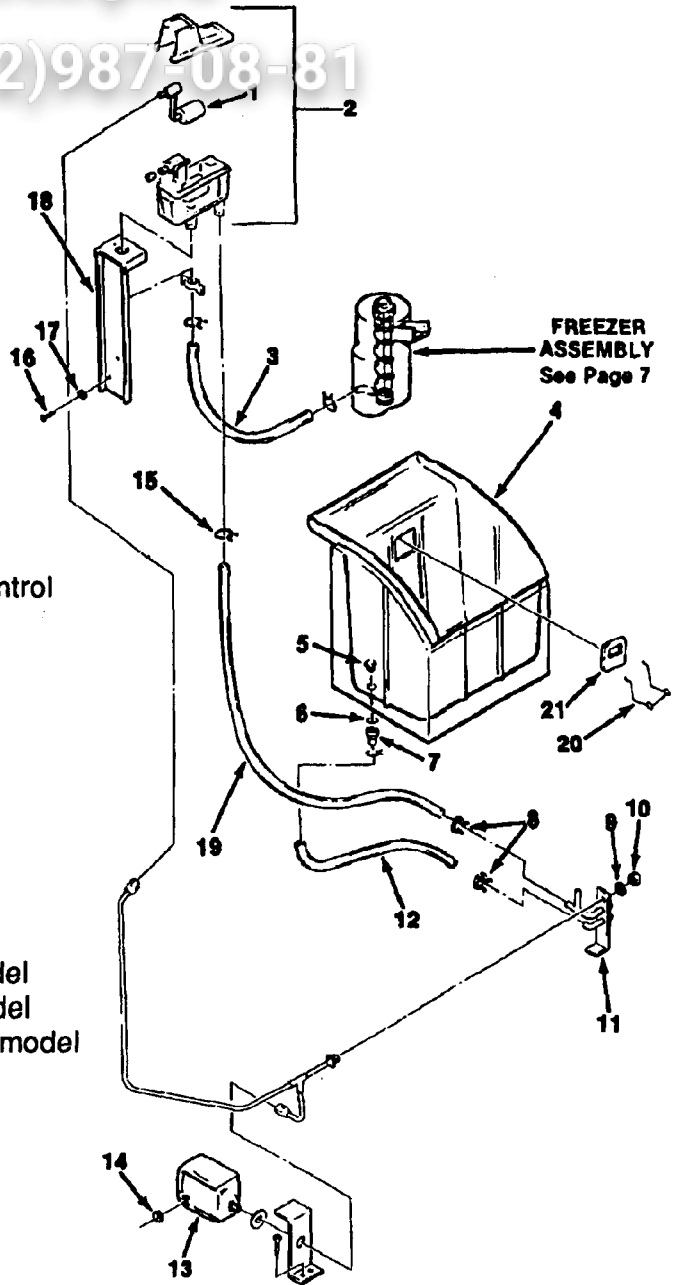
ITEM NUMBER	PART NUMBER	DESCRIPTION
1	A09386-000	Drier Brace
2	02-2426-01	Drier
3	12-1575-01	Fan Motor
4	18-0422-00	Fan Motor Mount
5	18-0231-00	Fan Blade
6	02-2563-01	Shroud
7	18-0140-00	Condenser
8	03-1403-02	Washer
9	13-0639-00	Grommet
10	A24925-001	Spacer
11	03-1410-03	Washer
12	03-1405-45	Screw
13	03-1417-09	Lockwasher
14	03-0574-00	Screw
15	18-4700-28	Mounting Grommet
16	18-0108-41	Mounting Sleeve
17	03-1408-29	Washer
18	03-1410-04	Lockwasher
19	03-1405-20	Screw
20	18-4700-51	Compressor
21	18-4700-53	Compressor Relay
22	18-4700-52	Compressor Overload
23	18-4700-54	Compressor Start Capacitor
24	12-1573-07	Fan Motor Wire
25	16-0560-00	Valve Core
26	16-0563-00	Valve Cap

AF1 SERVICE PARTS

WATER AND DRAIN SYSTEM

+7(812)987-08-81

Item Number	Part Number	Description
1	02-2217-02	A-D model float
2	02-2217-01	A-D model Reservoir
3	13-0674-09	Water Tube 8"
4	02-2763-02	Storage Bin
5	02-1751-00	Drain Fitting
6	13-0617-36	O-Ring
7	02-1957-01	Drain Tube
8	02-1338-00	Clamp
9	03-1409-04	Washer
10	03-1394-00	Nut
11	no number	Water Ser. Bracket
12	13-0079-01	Tube 6"
13	11-0296-00	Lo water pressure control
14	12-1213-10	Snap Bushing
15	02-0534-00	Clamp
16	03-0571-00	Screw
17	03-1417-09	Lockwasher
18	no number	Mounting Bracket
19	13-0079-03	Hose, 30"
20	03-1415-00	Bulb holder
21	13-0779-00	Spout Grommet
22	A24180-001	Bin stat insul. (not illustrated)
23	A32922-020	Float Assy. for E model
24	02-2936-01	Res. Cover for E model
25	A32929-020	Res. Assembly for E model

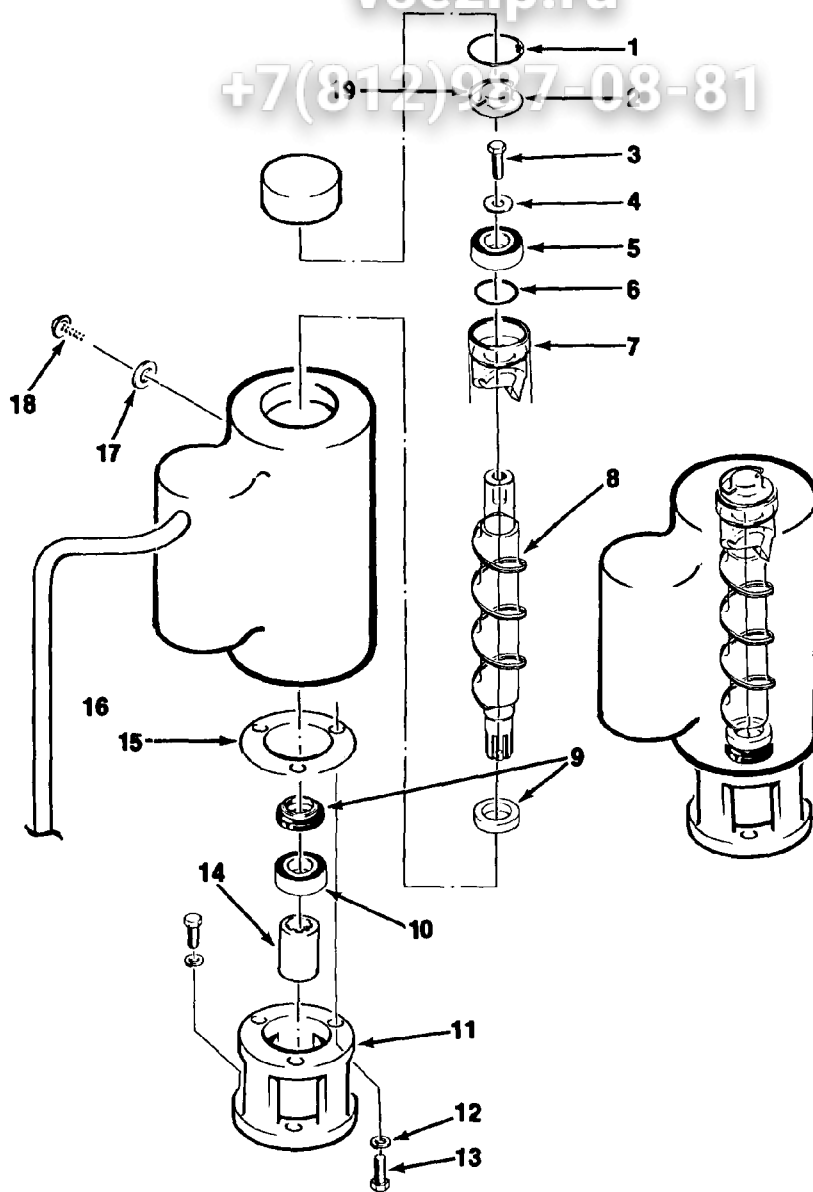


AF1 THE PARTS ILLUSTRATIONS AND PARTS LISTS

Зип Общепит

vsezip.ru

+7(812)937-08-81



FREEZER ASSEMBLY

ITEM NUMBER	PART NUMBER	DESCRIPTION			
1	03-1558-03	Retaining Ring	9	02-1300-01	Water Seal
2	A07701-000	Freezer Cap	10	02-0417-00	Bearing
3	03-0758-00	Screw	11	08-0595-01	Adapter
4	A07699-000	Washer	12	03-1410-04	Washer
5	02-0547-00	Bearing	13	03-1420-01	Hex Cap Screw
6	13-0617-16	O-ring	14	A29915-002	Spline Coupling
7	A26706-001	Ice Breaker Assembly, Includes Items 5-6-7	15	13-0628-00	Gasket
8	A29480-001	Auger	16	A29359-020	Evaporator Shell Includes Suction Line Assembly
			17	03-1417-07	Washer
			18	03-1403-46	Pan Head Machine Screw, Phillips Recess
			19	A08162-000	Cap Hook

AF1 THE PARTS ILLUSTRATIONS AND PARTS LISTS

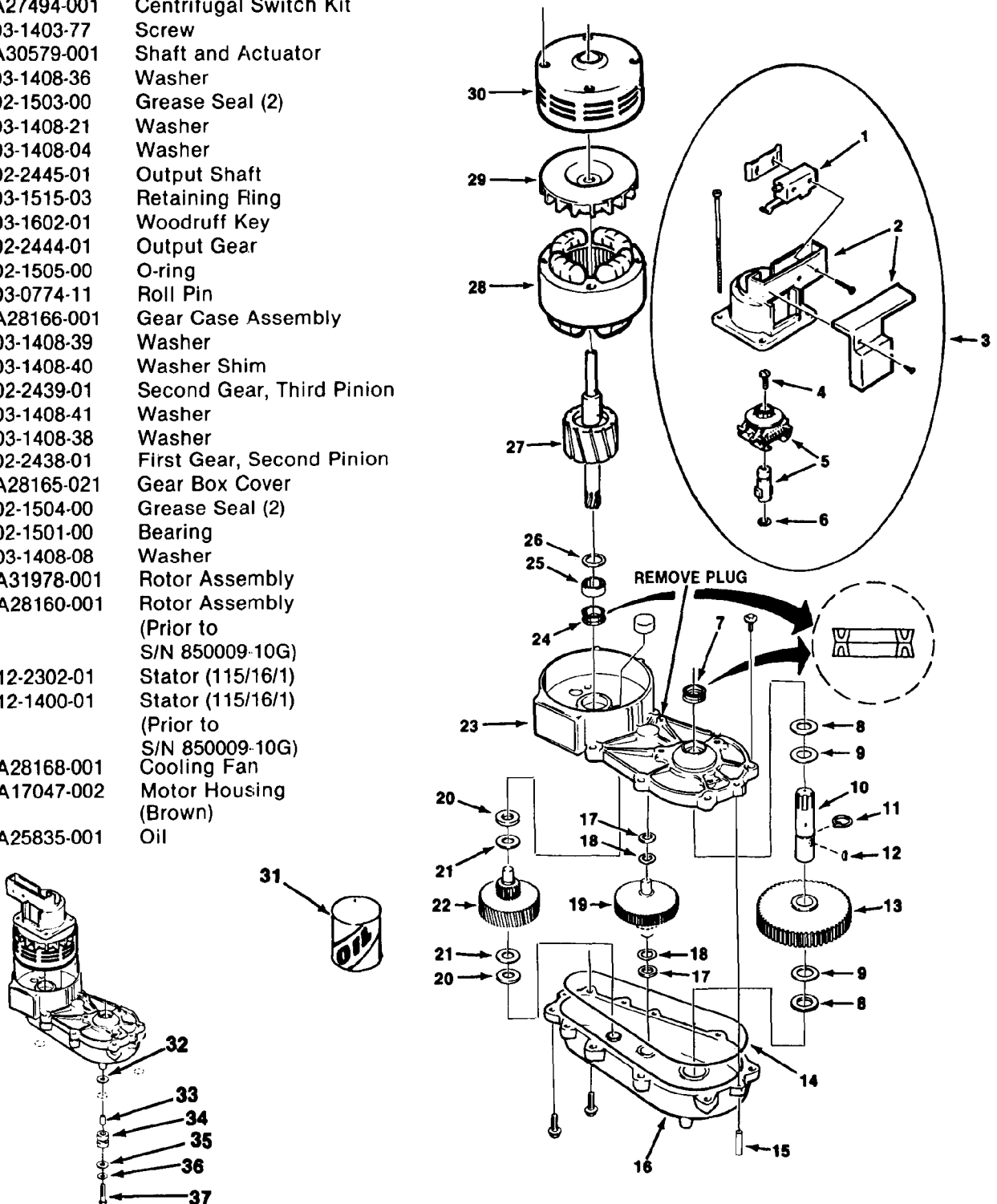
GEAR MOTOR ASSEMBLY

A31977-021

Use after SN 850009-10G

ITEM NUMBER	PART NUMBER	DESCRIPTION
1	12-2059-01	Switch
2	A27895-001	Housing
3	A27494-001	Centrifugal Switch Kit
4	03-1403-77	Screw
5	A30579-001	Shaft and Actuator
6	03-1408-36	Washer
7	02-1503-00	Grease Seal (2)
8	03-1408-21	Washer
9	03-1408-04	Washer
10	02-2445-01	Output Shaft
11	03-1515-03	Retaining Ring
12	03-1602-01	Woodruff Key
13	02-2444-01	Output Gear
14	02-1505-00	O-ring
15	03-0774-11	Roll Pin
16	A28166-001	Gear Case Assembly
17	03-1408-39	Washer
18	03-1408-40	Washer Shim
19	02-2439-01	Second Gear, Third Pinion
20	03-1408-41	Washer
21	03-1408-38	Washer
22	02-2438-01	First Gear, Second Pinion
23	A28165-021	Gear Box Cover
24	02-1504-00	Grease Seal (2)
25	02-1501-00	Bearing
26	03-1408-08	Washer
27	A31978-001	Rotor Assembly
	A28160-001	Rotor Assembly (Prior to S/N 850009-10G)
28	12-2302-01	Stator (115/16/1)
	12-1400-01	Stator (115/16/1) (Prior to S/N 850009-10G)
29	A28168-001	Cooling Fan
30	A17047-002	Motor Housing (Brown)
31	A25835-001	Oil

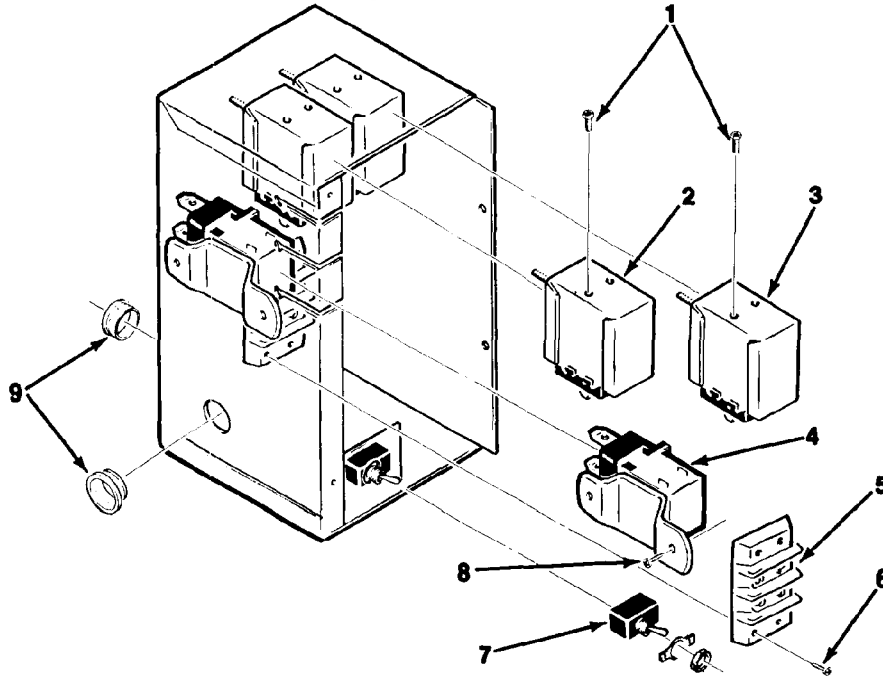
32	03-1408-02	Washer
33	A24925-001	Spacer
34	13-0029-00	Grommet
35	03-1403-02	Washer
36	03-1410-03	Washer
37	03-1405-45	Screw



AF1 THE PARTS ILLUSTRATIONS AND PARTS LISTS

vsezip.ru

+7(812)987-08-81



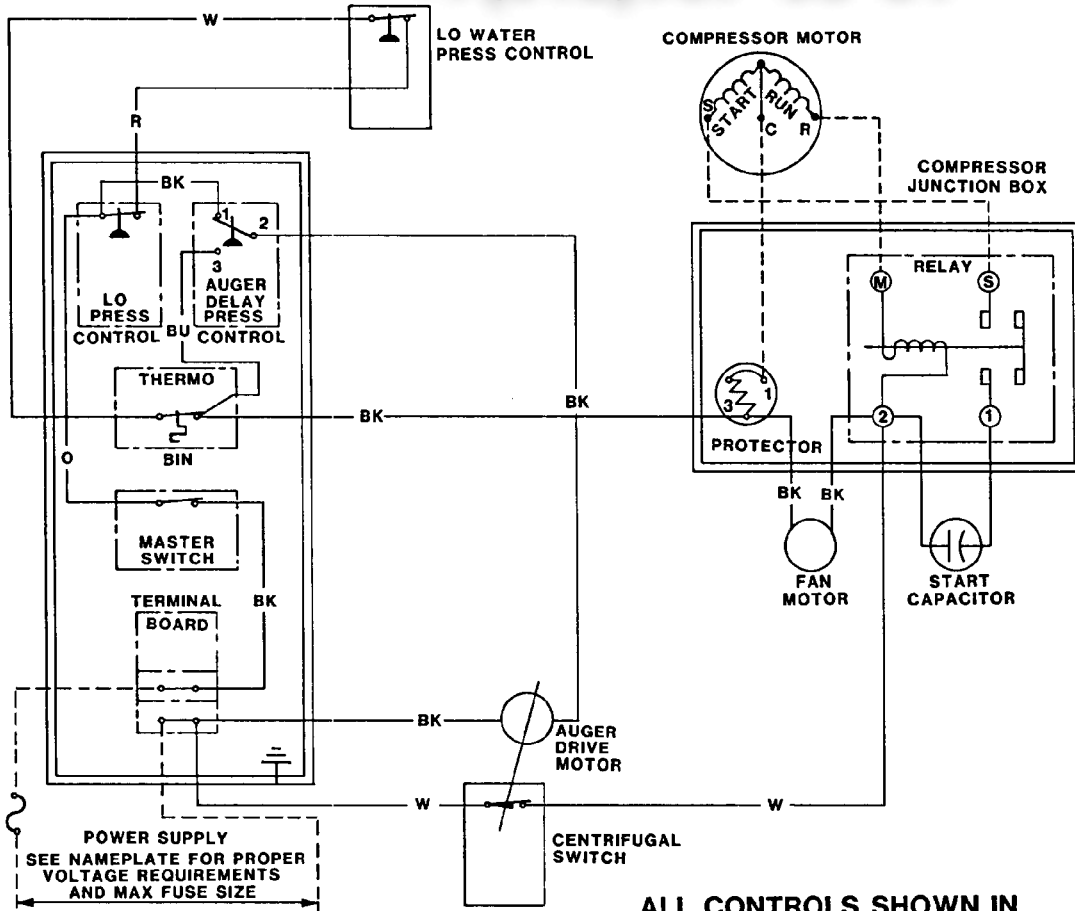
CONTROL BOX ASSEMBLY

ITEM NUMBER	PART NUMBER	DESCRIPTION
1	03-1403-02	Pan Head Machine Screw, Phillips Recess
2	11-0420-01	Automatic Low Pressure Control
3	11-0402-01	Auger Delay Control
4	11-0354-00	Bin Thermostat
5	12-0813-04	Terminal Board
6	03-1403-31	Pan Head Machine Screw, Phillips Recess
7	12-0426-01	Master Switch
8	03-1403-17	Pan Head Machine Screw, Phillips Recess
9	12-1213-10	Snap Bushing

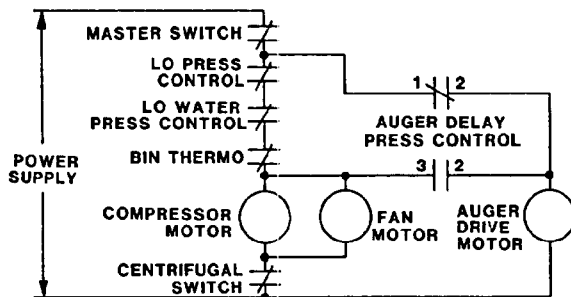
AF1 THE PARTS ILLUSTRATIONS AND PARTS LISTS

vsezip.ru

+7(812)987-08-81



ALL CONTROLS SHOWN IN NORMAL ICE MAKING MODE



A30988-001

**USE COPPER
CONDUCTORS ONLY
THIS UNIT MUST
BE GROUNDED**

Wiring Diagram — AF1A-D (115/60/1) Air-Cooled