

Зип Общепит

vsezip.ru
SCOTSMAN
+7(812)987-08-81
®

**ELECTRONIC
FLAKERS**

AF 10 - 20 - 30

R 134 A - R 404 A VERSIONS

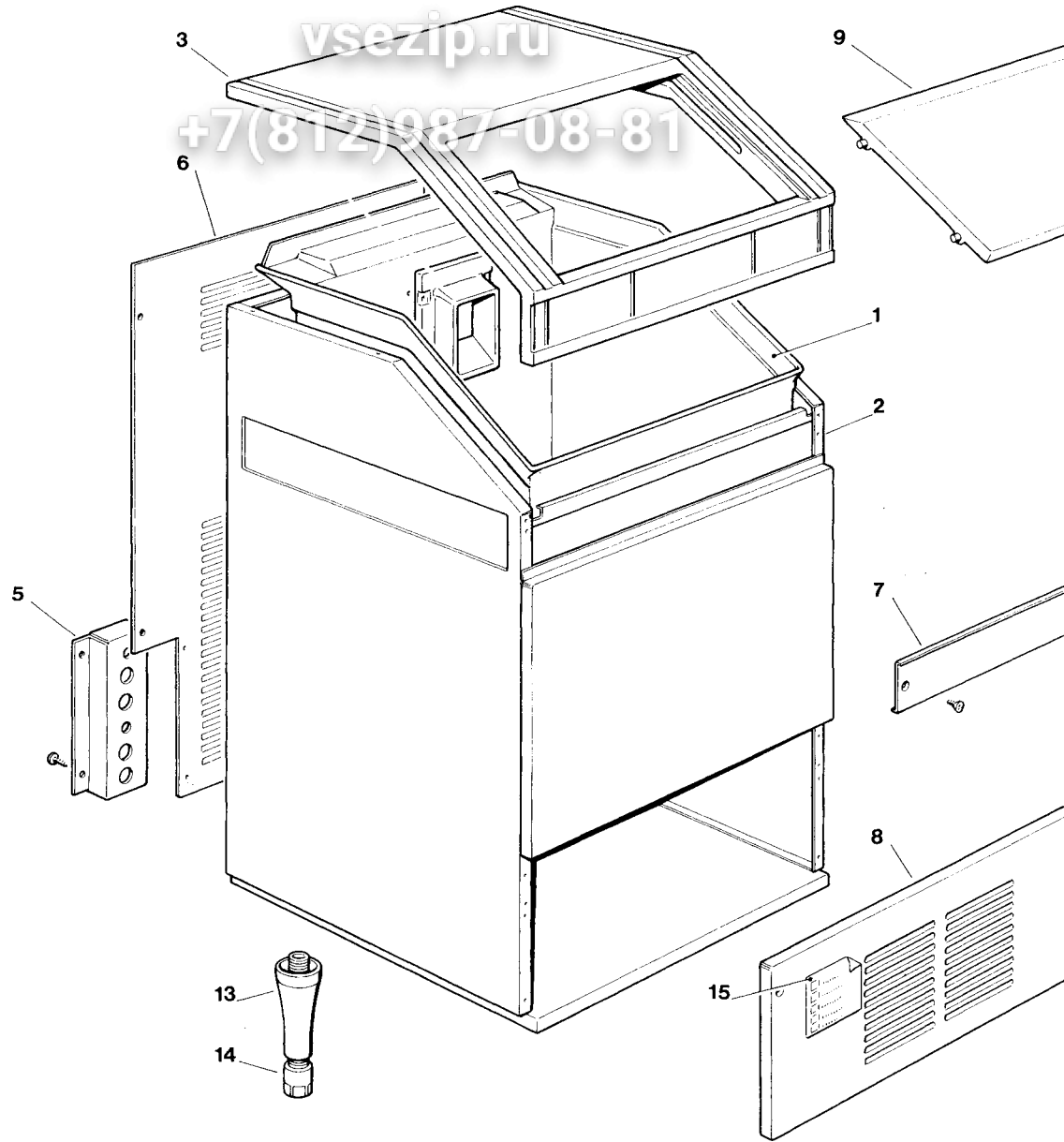
**SPARE PARTS LIST
CATALOGO RICAMBI
CATALOGUE PIÈCES DÉTACHÉES
ERSATZTEILENKATALOG**

PAGE PAGINA PAGE SEITE	TABLE OF CONTENTS	INDICE	TABLE DES MATIÈRES
1	TABLE OF CONTENTS	INDICE	TABLE DES MATIÈRES
2-3	AF 10 - UNIT PANELS	AF 10 - ASSIEME MOBILE	AF 10 - ENS. CARROSSERIE
4-5	AF 20 - AF 30 - UNIT PANELS	AF 20 - AF 30 - ASSIEME MOBILE	AF 20 - AF 30 - ENS. CARROSSERIE
6-7	REFRIGERANT SYSTEM AIR COOLED	SISTEMA REFRIGERANTE RAFFR. AD ARIA	CIRCUIT FRIGORIFIQUE REFROID. A AIR
8-9	REFRIGERANT SYSTEM WATER COOLED	SISTEMA REFRIGERANTE RAFFR. AD ACQUA	CIRCUIT FRIGORIFIQUE REFROID. A EAU
10-11	WATER SYSTEM AND INSULATIONS	CIRCUITO IDRAULICO ED ISOLAMENTI	CIRCUIT HYDRAULIQUE ET INSULATIONS
12-13	FREEZER AND GEAR REDUCER ASSY	ASSIEME FREEZER E RIDUTTORE	ENS. FREEZER ET MOTOREDUCTEUR
14-15	P.C. BOARD AND SENSORS ASSY	SCHEDE ELETTRONICA E SENSORI	ENS. CARTE ELECTRONIQUE ET DETECTEURS
16	COMPRESSOR AND ELECTRIC COMPONENT CHARTS	TABELLA COMPRESSORI E COMPONENTI ELETTRICI	LISTE DES COMPRESSEURS ET COMPOSANTS ELECTRIQUE

Зип-Общепит

vsezip.ru

+7(812)987-08-81

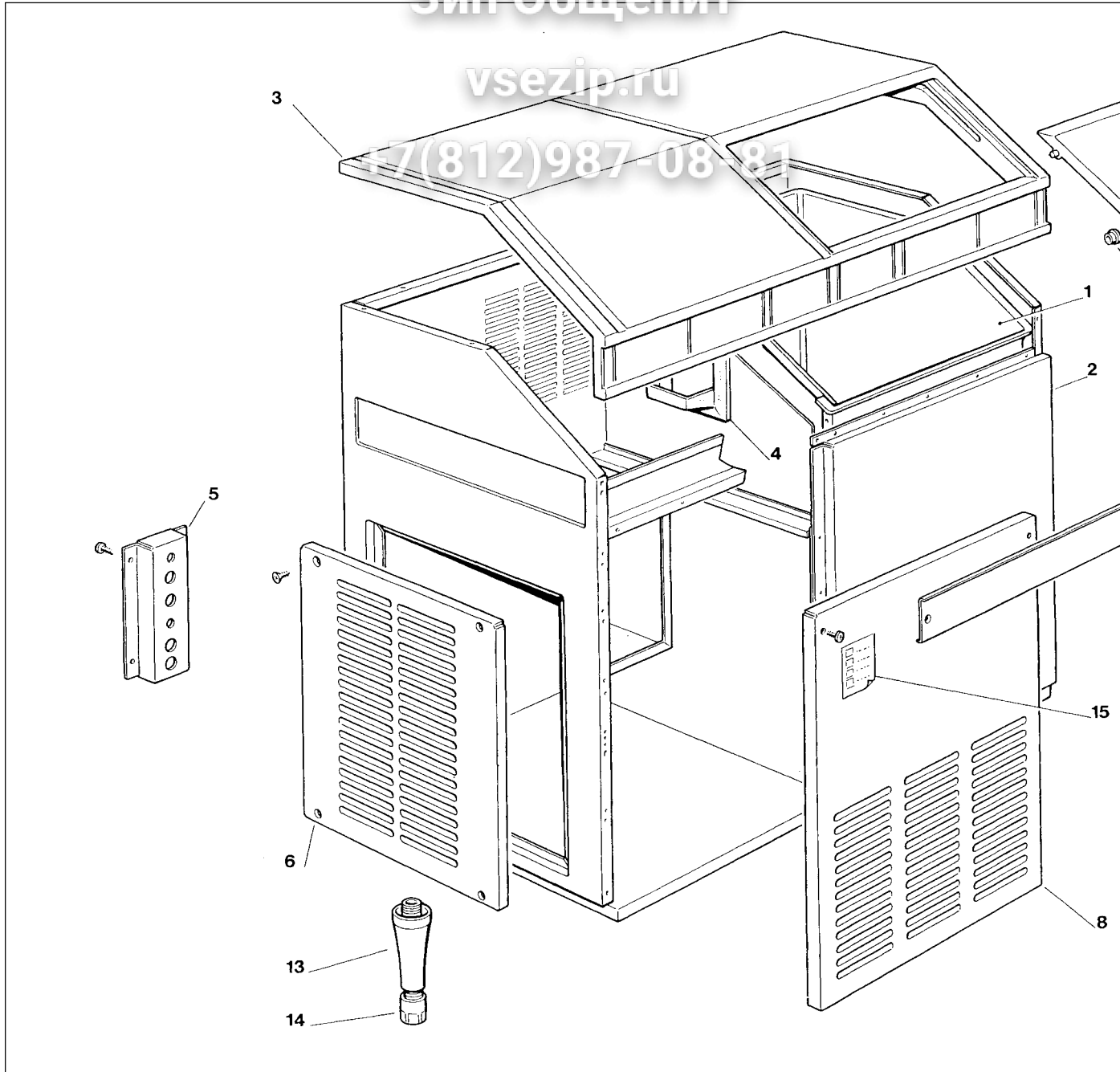


ITEM NO POS NO REP. NO REF. NO	PART NO CODICE REFERENCE STUECK NR	DESCRIPTION	DESCRIZIONE	DESIGNATION
1	660649 00	STORAGE BIN	CONTENITORE GHACCIO	CABINE STOCKAGE
2	785087 01 R 701804 03	UNIT FRAME FRONT CENTER PANEL	ASSIEME TELAIO PANNELLO FRONTALE CENTRALE	ENSAMBLE CHASSIS PANNEAU AVANT CENTRAL
3	660490 06	PLASTIC TOP PANEL	PANNELLO SUPERIORE IN PLASTICA	PANNEAU SUPERIEUR EN P
5	701794 01	METAL BRACKET FOR FITTINGS	SUPPORTO ATTACCHI	SUPPORT DE RACCORDS
6	701813 02	REAR PANEL	PANNELLO POSTERIORE	PANNEAU ARRIERE
7	721437 02	S.S. FRONT STRIPE	BANDA FRONTALE ACC.INOX	BANDE ENTRETOISE ACIER
8	721704 00	FRONT PANEL	PANNELLO FRONTALE	PANNEAU AVANT
9	792011 02 R	BIN DOOR ASSY	ASSIEME SPORTELLO	ENSAMBLE PORTE CABINE
10	660286 00	DOOR RUNNER - BUSHING	BUSSOLA DI SCORRIMENTO	BAGUE DE COULISSAGE PC
13-14	650670 00	LEG + LEG LEVELLER KIT	KIT PIEDINO + VITE DI REGOLAZIONE	KIT PIED + VIS DE REGLAGE D
15	650624 04	LABEL	ADESIVO SEGNALETICO	ETIQUETTE

Зип-Общепит

vsezip.ru

47(812)987-08-81



Зип Общепит

AF 20 - AF 30 - UNIT PANELS - ASSIEME MOBILE - ENS. CARROSSERIE - MACHIN

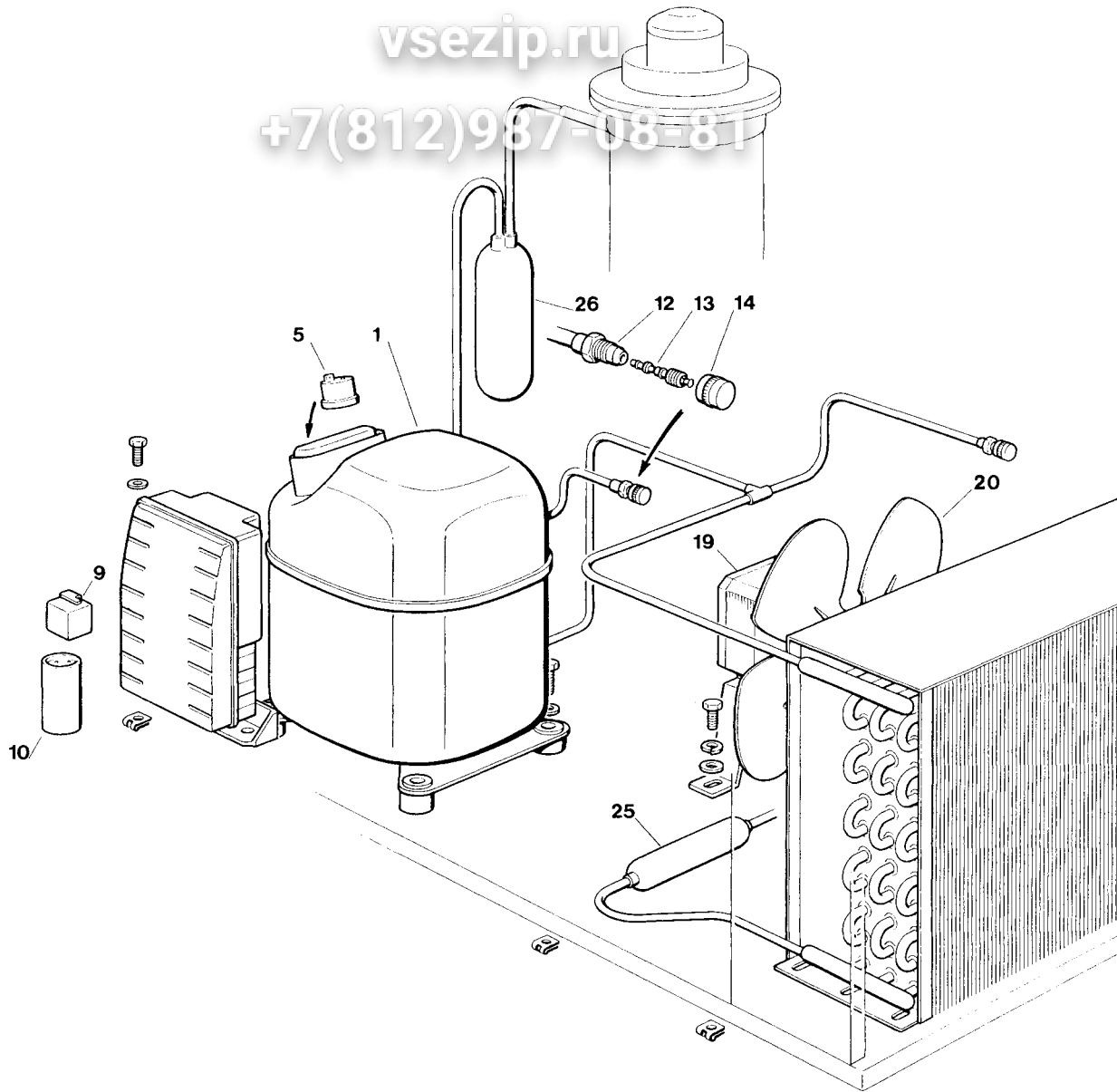
vsezip.ru

ITEM NO POS NO REP. NO REF. NO	PART NO - CODICE REFERENCE - STUECK NR		DESCRIPTION	DESCRIZIONE	DESIGNATION
	AF 20	AF 30			
1	742045 00	742045 00	STORAGE BIN	CONTENITORE GLACCIO	CABINE STOCKAGE
2	781411 00 R 701803 01 R	781411 00 R 701803 01 R	UNIT FRAME RIGHT FRONT PANEL	ASSIEME TELAIO PANNELLO FRONTALE DX	ENSAMBLE CHASSIS PANNEAU AVANT DROITE
3	660490 07	660490 07	PLASTIC TOP PANEL	PANNELLO SUPERIORE IN PLASTICA	PANNEAU SUPERIEUR EN P
4	660486 00	660486 00	PLASTIC SPOUT	BOCCHETTA IN PLASTICA	CARTER GOULOTTE SORTIE
5	701794 01	701794 01	METAL BRACKET FOR FITTINGS	SUPPORTO ATTACCHI	SUPPORT DE RACCORDS
6	701808 01	701808 01	LEFT SIDE PANEL	PANNELLO LATERALE SX	PANNEAU GAUCHE
7	721437 03	721437 04	S.S. FRONT STRIPE	BANDA FRONTALE ACC.INOX	BANDE ENTRETOISE ACIER
8	781309 14	781309 14	LEFT FRONT PANEL	PANNELLO FRONTALE SX	PANNEAU AVANT GAUCHE
9	792011 02 R	792011 02 R	BIN DOOR ASSY	ASSIEME SPORTELLO	ENSAMBLE PORTE CABINE
10	660286 00	660286 00	DOOR RUNNER - BUSHING	BUSSOLA DI SCORRIMENTO	BAGUE DE COULISSAGE PO
13-14	650670 00	650670 00	LEG + LEG LEVELLER KIT	KIT PIEDINO + VITE DI REGOLAZIONE	KIT PIED + VIS DE REGLAGE D
15	650624 01	650624 01	LABEL	ADESIVO SEGNALETICO	ETIQUETTE

Зип-Общепит

vsezip.ru

+7(812)987-08-81



AF 10 - AF 20 - AF 30 - REFRIGERANT SYSTEM AIR COOLED - SISTEMA REFRIGERANTE

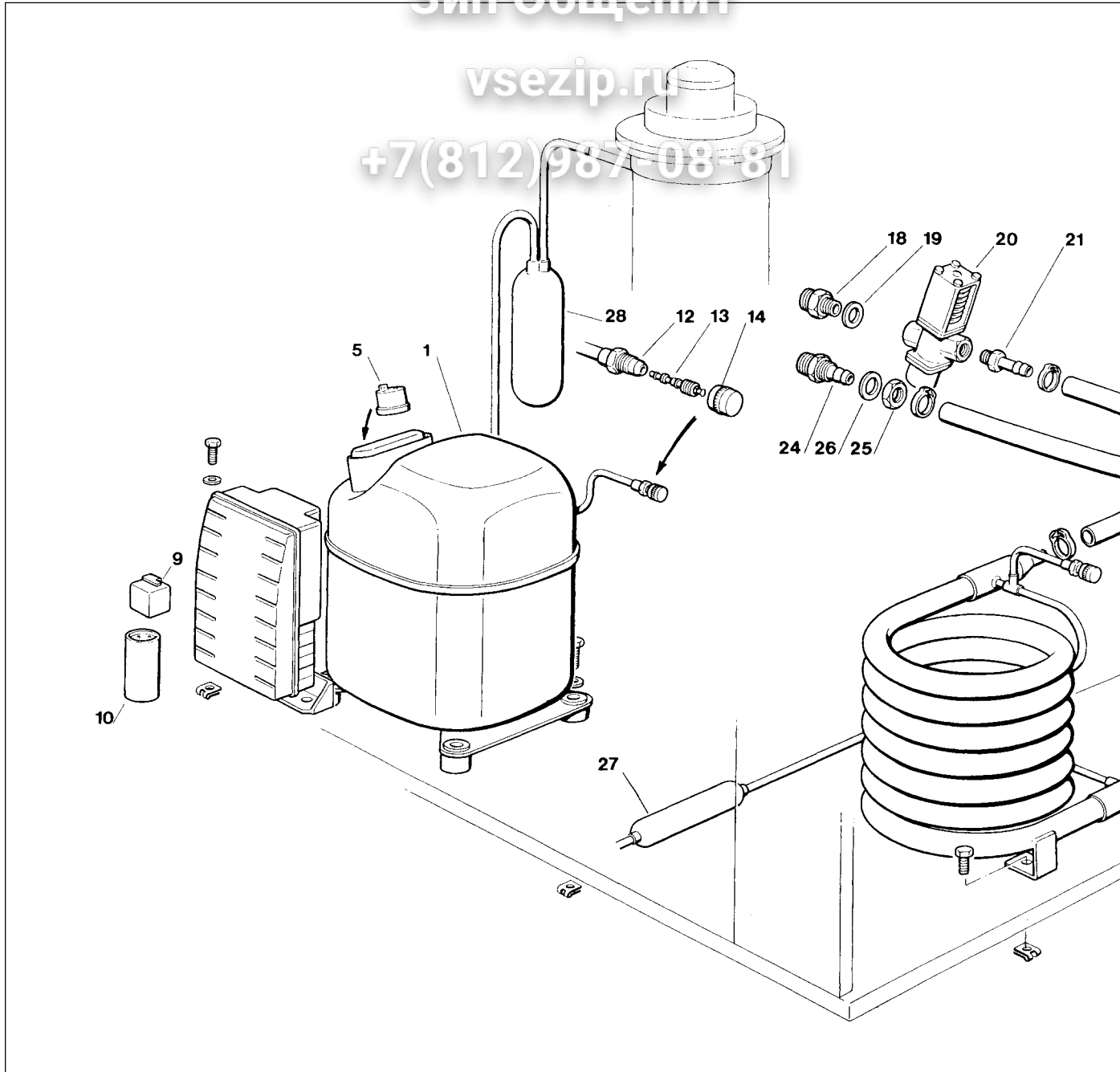
CIRCUIT FRIGORIFIQUE REFRROID. PAR AIR - LUFTGEKÜHLTE GEFRIERSYSTEM

ITEM NO POS NO REP. NO REF. NO	PART NO - CODICE REFERENCE - STUECK NR			DESCRIPTION	DESCRIZIONE	DESIGNATION
	AF 10	AF 20	AF 30			
1	670100 00 *****	670101 00 *****	670099 02 670101 03	COMPRESSOR ASSY - R 134 A COMPRESSOR ASSY - R 404 A	ASSIEME COMPRESSORE - R 134 A ASSIEME COMPRESSORE - R 404 A	ENSAMBLE COMPRESSOR ENSAMBLE COMPRESSOR
5	620058 69 *****	620058 77 *****	620058 39 620058 51	PROTECTOR - R 134 A PROTECTOR - R 404 A	PROTETTORE - R 134 A PROTETTORE - R 404 A	PROTECTEUR - R 134 A PROTECTEUR - R 404 A
9	620057 31 *****	620057 42 *****	620057 44 620168 22	START RELAY - R 134 A START RELAY - R 404 A	RELE DI AVVIAMENTO - R 134 A RELE DI AVVIAMENTO - R 404 A	RELAIS DE DEMARRAGE RELAIS DE DEMARRAGE
10	620167 29	620167 01	620167 01	START CAPACITOR	CAPACITA D'AVVIAMENTO	CAPACITÉ DE DEMARRAGE
12	650109 00	650109 00	650109 00	VALVE BODY	CORPO VALVOLA	CORPS DE VANNE
13	670012 00	670012 00	670012 00	VALVE PISTON	PISTONCINO VALVOLA	PISTON
14	650106 00	650106 00	650106 00	VALVE CAP	CAPPUCCIO VALVOLA	CAPUCHON DE VANNE
15	620276 02	620439 00	620405 00	AIR COOLED CONDENSER	CONDENSATORE AD ARIA	CONDENSEUR A AIR
19	620419 02	620419 02	620419 02	FAN MOTOR	MOTORE VENTILATORE	MOTEUR VENTILATEUR
20	620419 32	620419 33	620419 33	FAN BLADE	VENTOLA	HELICE
25	630003 05	630003 05	630003 06	DRIER	FILTRO DEUMIDIFICATORE	FILTRE DESHYDRATEUR
26	784469 01	784469 03	784469 05	SUCTION LINE/ACCUMULATOR	ACCUMUL. E LINEA ASPIRAZIONE	ENS. ASPIRATION/ACCUMUL.

Зип-Общепит

vsezip.ru

+7(812)987-08-81



AF 20 - AF 30 - REFRIGERANT SYSTEM WATER COOLED - SISTEMA REFRIGERANTE

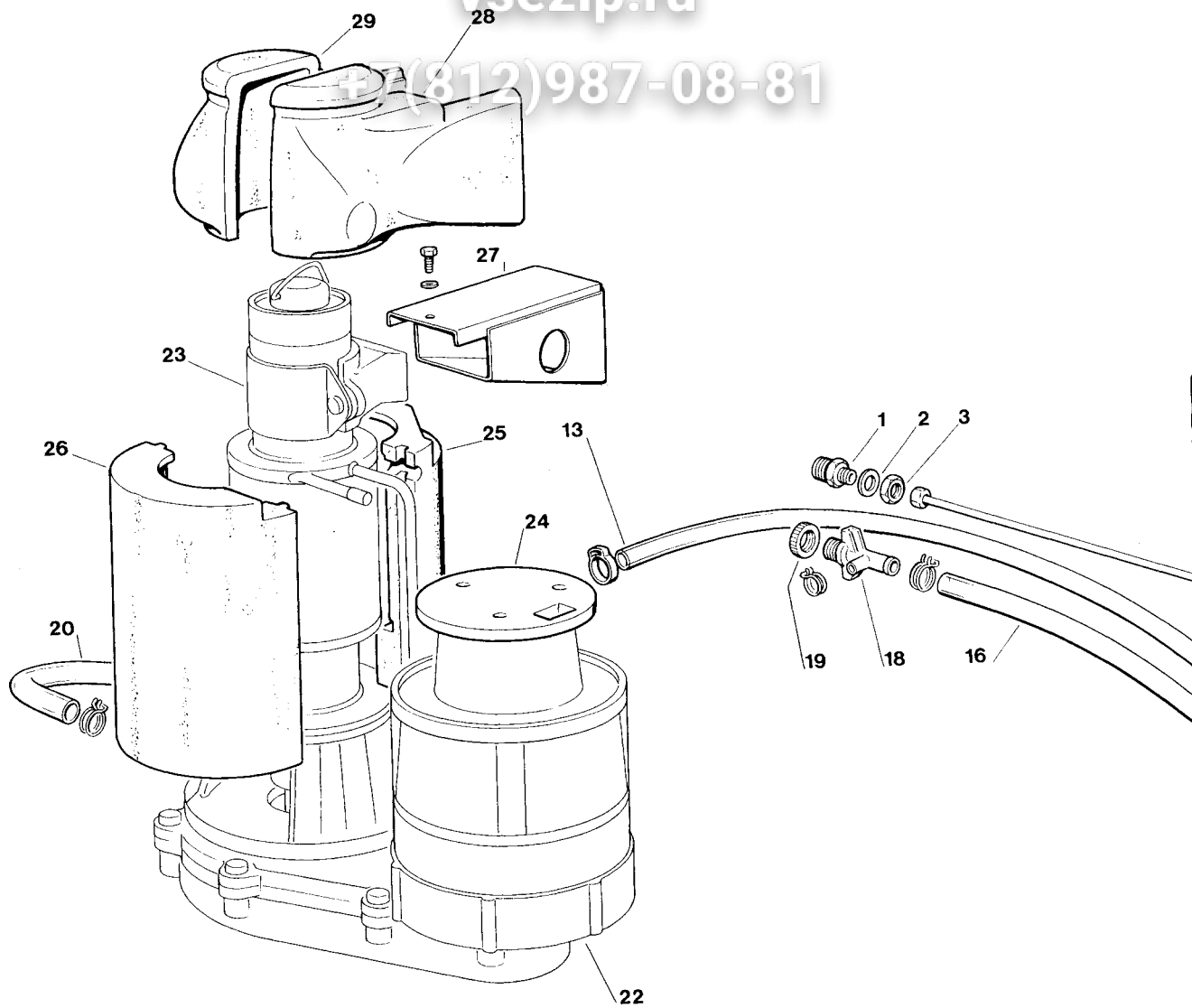
CIRCUIT FRIGORIFIQUE REFRROID. PAR EAU - WASSERGEKÜHLTE GEFRIERSY

ITEM NO POS NO REP. NO REF. NO	PART NO - CODICE REFERENCE - STUECK NR		DESCRIPTION	DESCRIZIONE	DESIGNATION
	AF 20	AF 30			
1	670101 00 *****	670099 02 670101 03	COMPRESSOR ASSY - R 134 A COMPRESSOR ASSY - R 404 A	ASSIEME COMPRESSORE - R 134 A ASSIEME COMPRESSORE - R 404 A	ENSAMBLE COMPRESSEUR - R 134 A ENSAMBLE COMPRESSEUR - R 404 A
5	620058 77 *****	620058 39 620058 51	PROTECTOR - R 134 A PROTECTOR - R 404 A	PROTETTORE - R 134 A PROTETTORE - R 404 A	PROTECTEUR - R 134 A PROTECTEUR - R 404 A
9	620057 42 *****	620057 44 620168 22	START RELAY - R 134 A START RELAY - R 404 A	RELE DI AVVIAMENTO - R 134 A RELE DI AVVIAMENTO - R 404 A	RELAIS DE DEMARRAGE - R 134 A RELAIS DE DEMARRAGE - R 404 A
10	620167 01	620167 01	START CAPACITOR	CAPACITA D'AVVIAMENTO	CAPACITÉ DE DEMARRAGE
12	650109 00	650109 00	VALVE BODY	CORPO VALVOLA	CORPS DE VANNE
13	670012 00	670012 00	VALVE PISTON	PISTONCINO VALVOLA	PISTON
14	650106 00	650106 00	VALVE CAP	CAPPUCCIO VALVOLA	CAPUCHON DE VANNE
15	620389 00	620389 00	WATER COOLED CONDENSER	CONDENSATORE AD ACQUA	CONDENSEUR A EAU
18	733204 00	733204 00	WATER INLET FITTING	RACCORDO INGRESSO ACQUA	RACCORD ARRIVÉE D'EAU
19	400031 01	400031 01	FIBER WASHER	RONDELLA IN FIBRA	RONDELLE EN FIBRE
20	620111 00	620111 00	WATER REGULATING VALVE	VALVOLA PRESSOSTATICA	VANNE A EAU PRESSOSTATICA
21	733173 00	733173 00	OUTLET VALVE FITTING	RACCORDO USCITA VALVOLA PRESS.	RACCORD SORTIE VALVE PRESS.
22	281900 03	281900 03	PLASTIC TUBE-PER METER	TUBO IN PLASTICA-PER METRO	TUYAU EN PLASTIQUE-PER METRE
24	733174 00	733174 00	WATER DRAIN FITTING	RACCORDO SCARICO ACQUA	RACCORD ÉVACUATION EAU
25	400076 00	400076 00	NUT	DADO	ECROU
26	400031 00	400031 00	FIBER WASHER	RONDELLA IN FIBRA	RONDELLE EN FIBRE
27	630003 05	630003 06	DRIER	FILTRO DEUMIDIFICATORE	FILTRE DESHYDRATEUR
28	784469 03	784469 05	SUCTION LINE/ACCUMULATOR	ACCUMUL. E LINEA ASPIRAZIONE	ENS. ASPIRATION/ACCUMUL.

Зип Ощепит

vsezip.ru

+7(812)987-08-81



AF 10 - AF 20 - AF 30 - WATER SYSTEM AND INSULATIONS - CIRCUITO IDRAULICO

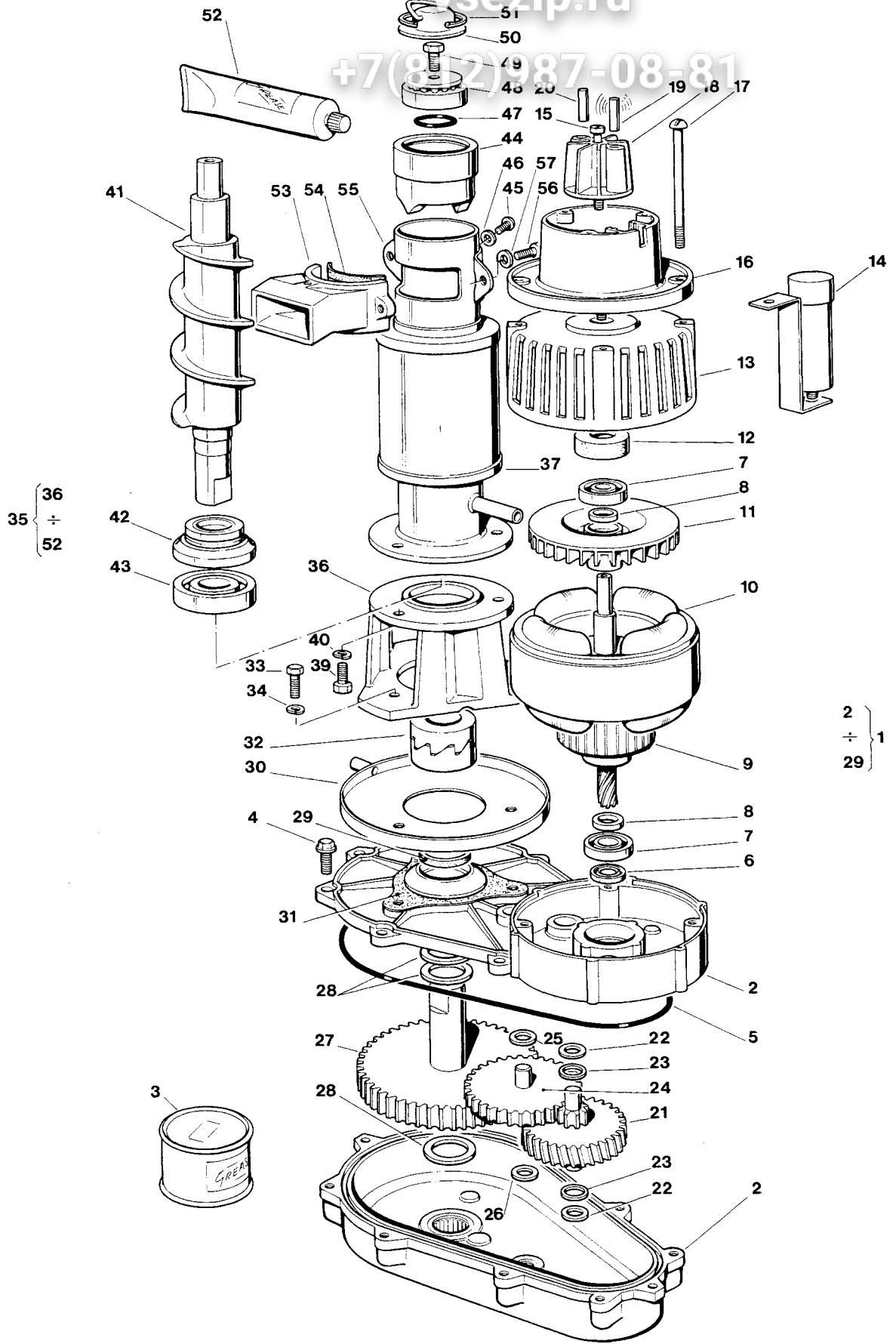
CIRCUIT HYDRAULIQUE ET ISOLATIONS - WASSERKREISLAUF UND ISOLIERUNG

ITEM NO POS NO REP. NO REF. NO	PART NO - CODICE REFERENCE - STUECK NR			DESCRIPTION	DESCRIZIONE	DESIGNATION
	AF 10	AF 20	AF 30			
1	733205 00	733205 00	733205 00	WATER INLET FITTING	RACCORDO INGRESSO ACQUA	RACCORD ARRIVEE D'
2	400031 00	400031 00	400031 00	FIBER WASHER	RONDELLA IN FIBRA	RONDELLE EN FIBRE
3	400030 01	400030 01	400030 01	NUT	DADO	ECROU
6	660363 00	660363 00	660363 00	WATER RESERVOIR COVER	COPERCHIO VACHETTA	COUVERCLE
7	724215 06	724215 06	724215 06	WATER LEVEL METAL PIN	PERNO SENSORE LIVELLO ACQUA	DETECTEUR NIVEAU E
8	783153 00	783153 00	783153 00	NOZZLE	UGELLO	GICLEUR
9	660585 00	660585 00	660585 00	FLOAT VALVE ASSY	ASS. GALLEGGIANTE	ENS. VANNE A FLOTTE
10	460038 02	460038 02	460038 02	CLIP RING	ANELLO SEEGER	CIRCLIP
11	640100 00	640100 00	640100 00	O RING	GUARNIZIONE OR	JOINT TORIQUE
12	793126 01	793126 01	793126 01	WATER RESERVOIR ASSY	ASS. VASCHETTA GALLEGGIANTE	ENS. RÉSERVOIR
13	281222 00	281222 00	281222 00	PLASTIC TUBE - PER MTR	TUBO IN PLASTICA - PER METRO	TUYAU EN PLASTIQUE -
16	281832 00	281832 00	281832 00	PLASTIC TUBE - PER MTR	TUBO IN PLASTICA - PER METRO	TUYAU EN PLASTIQUE -
18	660224 00	660224 00	660224 00	WATER DRAIN FITTING	RACCORDO SCARICO ACQUA	RACCORD EVACUATIO
19	660535 00	660535 00	660535 00	PLASTIC RING NUT	GHIERA IN PLASTICA	COLLIER DE SERRAGE E
20	610163 02	610163 02	610163 02	PLASTIC TUBE	TUBO IN PLASTICA	TUYAU EN PLASTIQUE
22	794225 13 R	794225 13 R	794225 13 R	GEAR REDUCER ASSY	ASS. MOTORIDUTTORE	ENS .MOTOREDUCTEU
23	794236 05 R	794236 02 R	794237 01 R	FREEZER ASSY	ASS. FREEZER	ENS. FREEZER
24	660515 02	660515 02	660515 02	GEAR MOTOR PLASTIC COVER	PROTEZIONE MOTORE	PROTECTION MOTEUR
25	660375 00	660375 00	660376 00	INSULATION LEFT	ISOLAMENTO SINISTRO	ISOLATION GAUCHE
26	660375 01	660375 01	660376 01	INSULATION RIGHT	ISOLAMENTO DESTRO	ISOLATION DROITE
27	724339 03 R	724339 03 R	724339 03 R	S.S. ICE SPOUT	BOCCHETTA SCARICO GHIACCIO	BEC VERSEUR
28	660133 00	660133 00	660133 00	SPOUT INSULATION LEFT	ISOLAMENTO BOCC. SINISTRO	ISOLATION GAUCHE B
29	660132 00	660132 00	660132 00	SPOUT INSULATION RIGHT	ISOLAMENTO BOCC. DESTRO	ISOLATION DROITE BE

Зип Общепит

ysezip.ru

+7(812)987-08-81



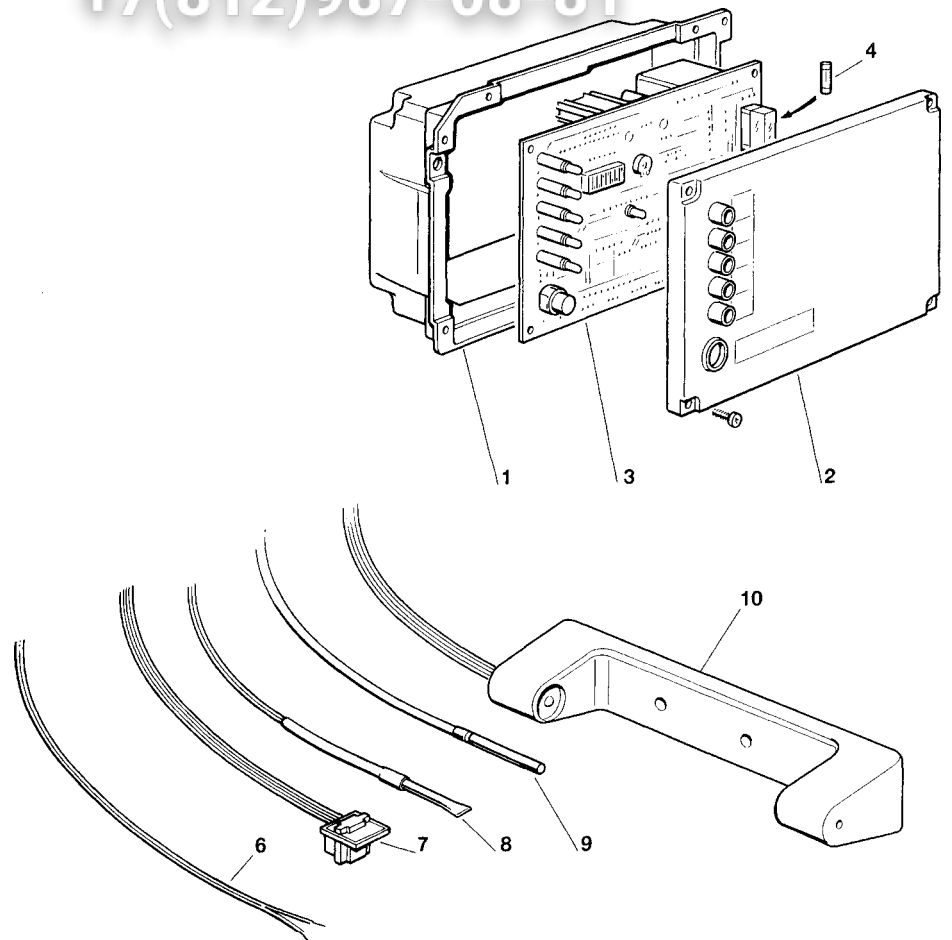
**AF 10 - AF 20 - AF 30 - FREEZER AND GEAR REDUCER ASSY - ASSIEME FREEZER E RIDUTTORE
ENS. FREEZER ET MOTOREDUCTEUR - GEFRIERZYLINDER UND GETRIEBEEINHEIT**

ITEM NO POS NO REP. NO REF. NO	PART NO - CODICE REFERENCE - STUECK NR			DESCRIPTION	DESCRIZIONE	DESIGNATION	BESCHREIBUNG
	AF 10	AF 20	AF 30				
1	794225 13 R	794225 13 R	794225 13 R	GEAR REDUCER ASSY	ASS. RIDUTTORF	ENS. MOTOREDUCTEUR	GETRIEBEMOTOR CPL
2	001015 01	001015 01	001015 01	GEAR CASE ASSY	ASS. SCATOLA INGRANAGGI	ENS. CARTER RÉDUCTEUR	GETRIEBEGEHAUSE CPL
3	060294 01	060294 01	060294 01	GREASE (1 KG)	GRASSO (1 KG)	GRAISSE (1 KG)	FETT (1 KG)
4	03 1251 01	03 1251 01	03 1251 01	SCREW	VITE	VIS	SCHRAUBE
5	640084 00	640084 00	640084 00	O RING	GUARNIZIONE OR	JOINT TORIQUE	O RING
6	640083 00	640083 00	640083 00	GEASE SEAL	PARAOLIO	PARAHUILE	SCHMIERDICHTUNG
7	651056 00	651056 00	651056 00	BEARING	CUSCINETTO	ROULEMENT	LAGER
8	441800 09	441800 09	441800 09	TRUST WASHER	RONDELLA DI RASAMENTO	RONDELLE	UNTERLEG SCHEIBE
9	794123 03 R	794123 03 R	794123 03 R	ROTOR ASSY	ASS. ROTORE	ENS. ROTOR	ROTOR EINHEIT
10	620394 00	620394 00	620394 00	STATOR ASSY	ASS. STATORE	ENS. STATOR	STATOREINHEIT
11	764001 00	764001 00	764001 00	FAN BLADE	VENTOLA	HELICE	FLÜGEL/RAD
12	640095 00	640095 00	640095 00	RUBBER INSERT	INSERTO IN GOMMA	BAGUE CAOUTCHOUC	GUMMI LAGER GEHAUSE
13	794226 01	794226 01	794226 01	DRIVE MOTOR COVER	COPERCHIO MOTORE	COUVERCLE MOTEUR	MOTOR DEKEL
14	620292 04	620292 04	620292 04	CAPACITOR	CONDENSATORE	CONDENSATEUR	KONDENSATOR
15	03 1403 77	03 1403 77	03 1403 77	SCREW	VITE	VIS	SCHAUBE
16	650515 01	650515 01	650515 01	PLASTIC HOUSING	ALLOGGIAMENTO IN PLASTICA	Bôte DETECTEUR EFF. HALL	KUNSTSTOFFGEHAUSE
17	423872 01	400078 00	400078 00	SCREW	VITE	VIS	SCHRAUBE
18-19-20	784476 00	784476 00	784476 00	MAGNETO HOLDER ASSY	ASS. SUPPORTO MAGNETE	ENS. SUPPORT DU MAGNETO	MAGNETHALTER CPL
21	651160 00	651160 00	651160 00	1SR GEAR & PINION	INGRANAGGIO IN FIBRA	ENGRANAGE EN CELERON	1 GETRIEBERAND & RITZEL
22	441800 06	441800 06	441800 06	TRUST WASHER	RONDELLA DI RASAMENTO	RONDELLE	UNTERLEG SCHEIBE
23	441800 05	441800 05	441800 05	TRUST WASHER	RONDELLA DI RASAMENTO	RONDELLE	UNTERLEG SCHEIBE
24	651161 00	651161 00	651161 00	2ND GEAR & PINION	INGRANAGGIO INTERMEDIO	2eme ENGRANAGE ET PIGNON	2 GETRIEBERAND & RITZEL
25	441800 08	441800 08	441800 08	TRUST WASHER	RONDELLA DI RASAMENTO	RONDELLE	UNTERLEG SCHEIBE
26	441800 07	441800 07	441800 07	TRUST WASHER	RONDELLA DI RASAMENTO	RONDELLE	UNTERLEG SCHEIBE
27	651162 01	651162 01	651162 01	OUTPUT GEAR & SHAFT	INGRANAGGIO FINALE	PIGNON-ENGR. D'ENTRAINEMENT	GETRIEBERAD & AUSGANGSTIFT
28	441808 00	441808 00	441808 00	TRUST WASHER	RONDELLA DI RASAMENTO	RONDELLE	SCHEIBE
29	640019 01	640019 01	640019 01	GREASE SEAL	PARAOLIO	PARAHUILE	SCHMIERDICHTUNG
30	784062 00	784062 00	784062 00	DRIP TRAY	RACCOGLIGOCCE	GOUELLE EAU	TROPFPFANNE
31	640060 00	640060 00	640060 00	GASKET	GUARNIZIONE	JOINT	DICHTUNG
32	060359 00	060359 00	060359 00	COUPLING	GIUNTO	BAGUE D'ACCOUPEMENT CPL	KUPPLUNG
33	421052 00	421052 00	421052 00	SCREW	VITE	VIS	SCHAUBE
34	440015 04	440015 04	440015 04	WASHER	RONDELLA	RONDELLE	SCHEIBE
35	794236 05 R	794236 02 R	794237 01 R	FREEZER ASSY	ASS. FREEZER	ENS. FREEZER	GEFRIERZYLINDEREINHEIT
36	764010 00	764010 00	764010 00	ALUMINIUM ADAPTER	SUPPORTO DI ALLUMINIO	SUPPORT	PASSTUECK
37	784260 06	784260 04	784261 03	WORM TUBE ONLY	TUBO EVAPORATORE	CYLINDRE EVAPORATEUR	GEFRIERZYLINDER
39	421591 00	421591 00	421591 00	SCREW	VITE	VIS	SCHRAUBE
40	440015 04	440015 04	440015 04	WASHER	RONDELLA	RONDELLE	SCHEIBE
41	724052 07	724052 07	724052 06	AUGER	COCLEA	VIS SANS FIN	SCHNECKE
42	640040 00	640040 00	640040 00	WATER SEAL	ASSIEME PREMISTOPPA	GARNITURE D'ETANCHEITE	WASSERDICHTUNGEINHEIT
43	670011 01	670011 01	670011 01	LO BEARING	CUSCINETTO INFERIORE	PALIER INFERIEUR	UNTERESLAGER
44	754001 02	754001 02	754001 02	ICE BREAKER ONLY	ROMPIGHIACCIO	BROYEUR	EISBRECHER
45	420000 26	420000 26	420000 26	SCREW	VITE	VIS	SCHRAUBE
46	440015 05	440015 05	440015 05	WASHER	RONDELLA	RONDELLE	SCHEIBE
47	640041 01	640041 01	640041 01	O RING	GUARNIZIONE OR	JOINT TORIQUE	O RING
48	670041 00	670041 00	670041 00	TOP BEARING	CUSCINETTO SUPERIORE	PALIER SUPERIEUR	OBERESLAGER
49	420030 00	420030 00	420030 00	SCREW	VITE	VIS	SCHAUBE
50	734105 00	734105 00	734105 00	CAP	CALOTTA	CALOTTE	KUGELHAUBE
51	650297 00	650297 00	650297 00	CLIP RING	ANELLO SEEGER	CIRCLIP	RING
52	263612 00	263612 00	263612 00	WATER PROOF GREASE	GRASSO IDROREPELL.	GRAISSE	FETT
53	754004 00	754004 00	754004 00	SPOUT CASTING	BOCCHETTA IN OTTONE	GOULOTTE EN LAITON	MESSINGEISWURFSCHUTE
54	640072 00	640072 00	640072 00	GASKET	GUARNIZIONE	JOINT	DICHTUNG
55	724087 00	724087 00	724087 00	SPOUT PLATE	PIASTRINA BOCCHETTA	BRIDE DE GOULOTTE	EISWURFSCHUTE PLATTE
56	420002 05	420002 05	420002 05	SCREW	VITE	VIS	SCHAUBE
57	440015 05	440015 05	440015 05	WASHER	RONDELLA	RONDELLE	SCHEIBE

Зип-Общепит

vsezip.ru

+7(812)987-08-81



Зип-Общепит

AF 10 - AF 20 - AF 30 - P.C. BOARD AND SENSOR ASSY - SCHEDA ELETTRONICA
 ENS. CARTE ELECTRIQUE ET DETECTEURS - ELEKTRONISCHE KARTE UND TEMPERATUR

vsezip.ru

+7(812)987-08-81

ITEM NO POS NO REP. NO REF. NO	PART NO CODICE REFERENCE STUECK NR	DESCRIPTION	DESCRIZIONE	DESIGNATION
1	660546 00	CONTROL BOX	SCATOLA ELETTRICA	BOITE ELECTRIQUE
2	660547 02	CONTROL BOX COVER	COPERCHIO SCATOLA ELETTRICA	COUVERCLE BOITE DE CO
3	620403 03 620403 09	P.C. BOARD ASSY RECYCLED PCB	ASSIEME SCHEDA ELETTRONICA SCHEDA ELETTRONICA RIC.	ENSAMBLE CARTE ELECTR CARTE ELECTRONIQUE RIC
4	630015 09 630015 10	FUSE (100 mA) FUSE (16 A)	FUSIBILE (100 mA) FUSIBILE (16 A)	FUSIBLE (100 mA) FUSIBLE (16 A)
6	620404 04	WATER LEVEL SENSOR	SENSORE LIVELLO ACQUA	CAPTEUR NIVEAU EAU
7	620404 03	HALL EFFECT SENSOR	SENSORE EFFETTO HALL	CAPTEUR EFFECT HALL
8	620404 01	CONDENSER TEMP. SENSOR	SENSORE TEMP. CONDENSATORE	CAPTEUR TEMP. CONDENS
9	620404 10	EVAPORATOR TEMP. SENSOR	SENSORE TEMP. EVAPORATORE	CAPTEUR TEMP. ÉVAPORA
10	650674 02	ICE LEVEL CONTROL ASSY	ASS. CONTR. LIVELLO GHIACCIO	ENS. DETECTEUR NIVEAU

COMPRESSOR CHART - TABELLA COMPRESSORI - TABLEAU COMPRESSEUR - KOMPRESSOR

vsezip.ru

MODEL MODELLO MODELE MODELL	VOLTS TENSIONE TENSION SPANNUNG	COMPRESSOR MODEL MOD. COMPRESSORE TYPE COMPRESSEUR KOMPRESSOR TYP	COMPRESSOR COMPRESSORE COMPRESSEUR KOMPRESSOR	RELAY RELÉ RELAIS RELAIS	PROTECTOR PROTETTORE PROTECTEUR SCHUTZGERAT	STAR CAP CAPACITÉ START
AF 10 AF 20 AF 30	115/60/1 115/60/1 115/60/1	U.H. AEZ 4430 Y U.H. CAE 4448 Y	670101 05 670101 06	620057 58 620057 59	620058 43 620058 63	62 62
AF 10 AF 20 AF 30	230/60/1 230/60/1 230/60/1	U.H. AEZ 4430 Y U.H. CAE 4448 Y U.H. CAE 9470 Z	670101 01 670101 02 670101 04	620057 42 620057 49 620057 25	620058 77 620058 80 620058 04	62 62 62
AF 10 AF 20 AF 30 - R 134 A AF 30 - R 404 A	230/50/1 230/50/1 230/50/1 230/50/1	ELECTROLUX GL 90 TB U.H. CAE 4448 Y U.H. CAJ 4461 Y U.H. CAE 9470 Z	670100 00 670101 00 670099 02 670101 03	620057 31 620057 31 620057 44 620168 22	620058 69 620058 69 620058 39 620058 51	62 62 62 62

ELECTRIC COMPONENTS CHART - TABELLA COMPONENTI ELETTRICI - TABLEAU COMPOSANTS ELECTRIQUES

MODEL MODELLO MODELE MODELL	VOLTS TENSIONE TENSION SPANNUNG	GEAR MOTOR ASSY ASS. MOTORIDUTTORE ENS. MOTOREDUCTEUR GETRIEBEMOTOREINHEIT	FAN MOTOR ONLY MOTORE VENTILATORE MOTEUR VENTILATEUR LUFTER MOTOR	DRIVE MOTOR CAPACITOR CAPACITA' MOTORE RIDUTT. CONDENSATEUR MOTEUR REDUCT. KONDENSATOR	SCH CAR ELEK
AF 10 AF 20 AF 30	115/60/1	794225 14 R	620419 03 620419 03 620419 03	620292 00	
AF 10 AF 20 AF 30	230/60/1	794225 13 R	620419 02 620419 02 620419 02	620292 04	
AF 10 AF 20 AF 30	230/50/1	794225 13 R	620419 02 620419 02 620419 02	620292 04	