

ACM 55

Зип Общепит

vsezip.ru

Electronic cuber with storage

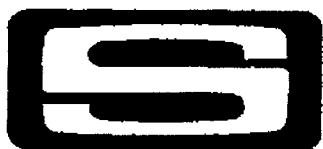
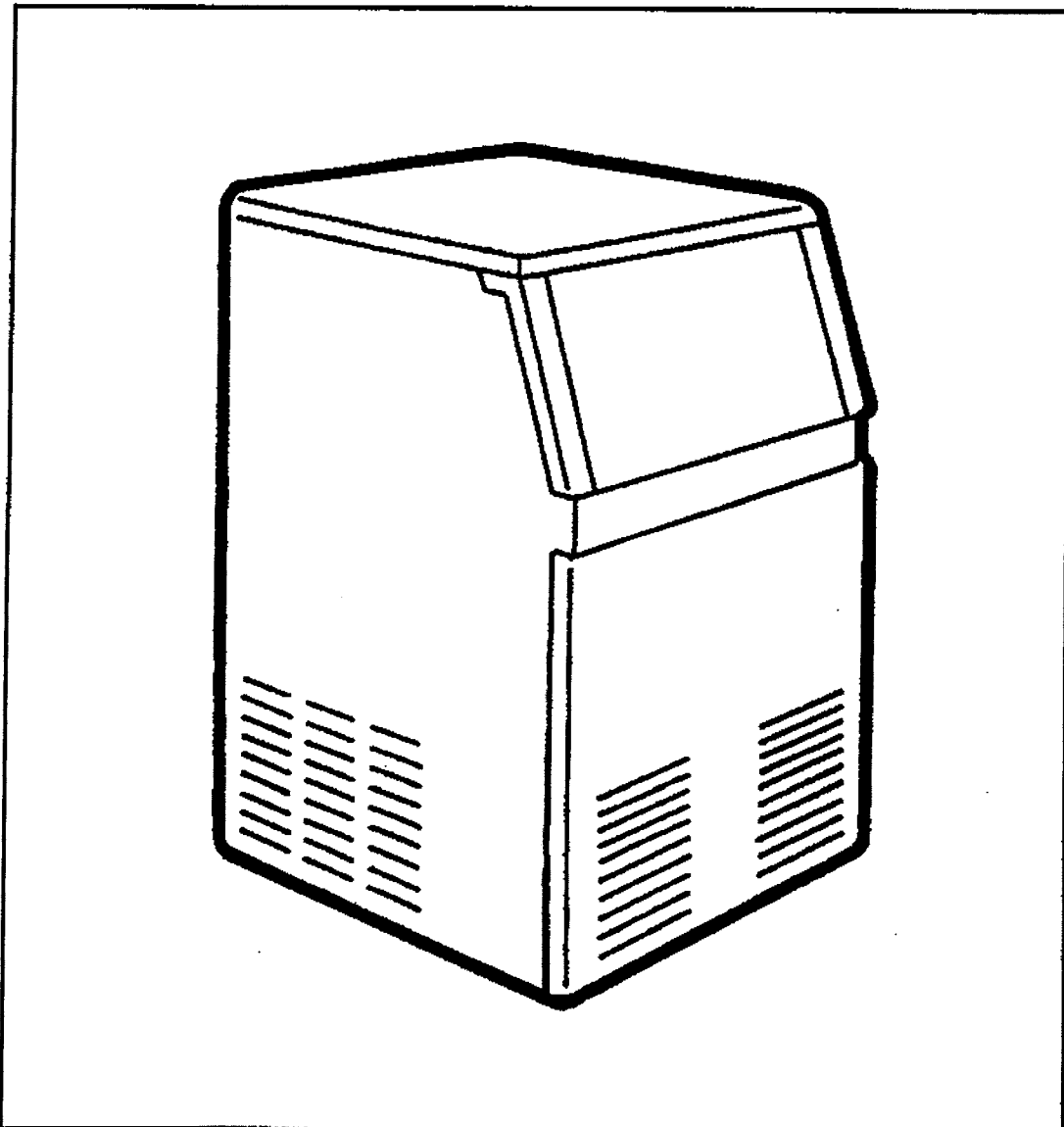
+7(812)987-08-81

Spare parts list

Catalogo ricambi

Catalogues pièces détachées

Ersatzteilkatalog



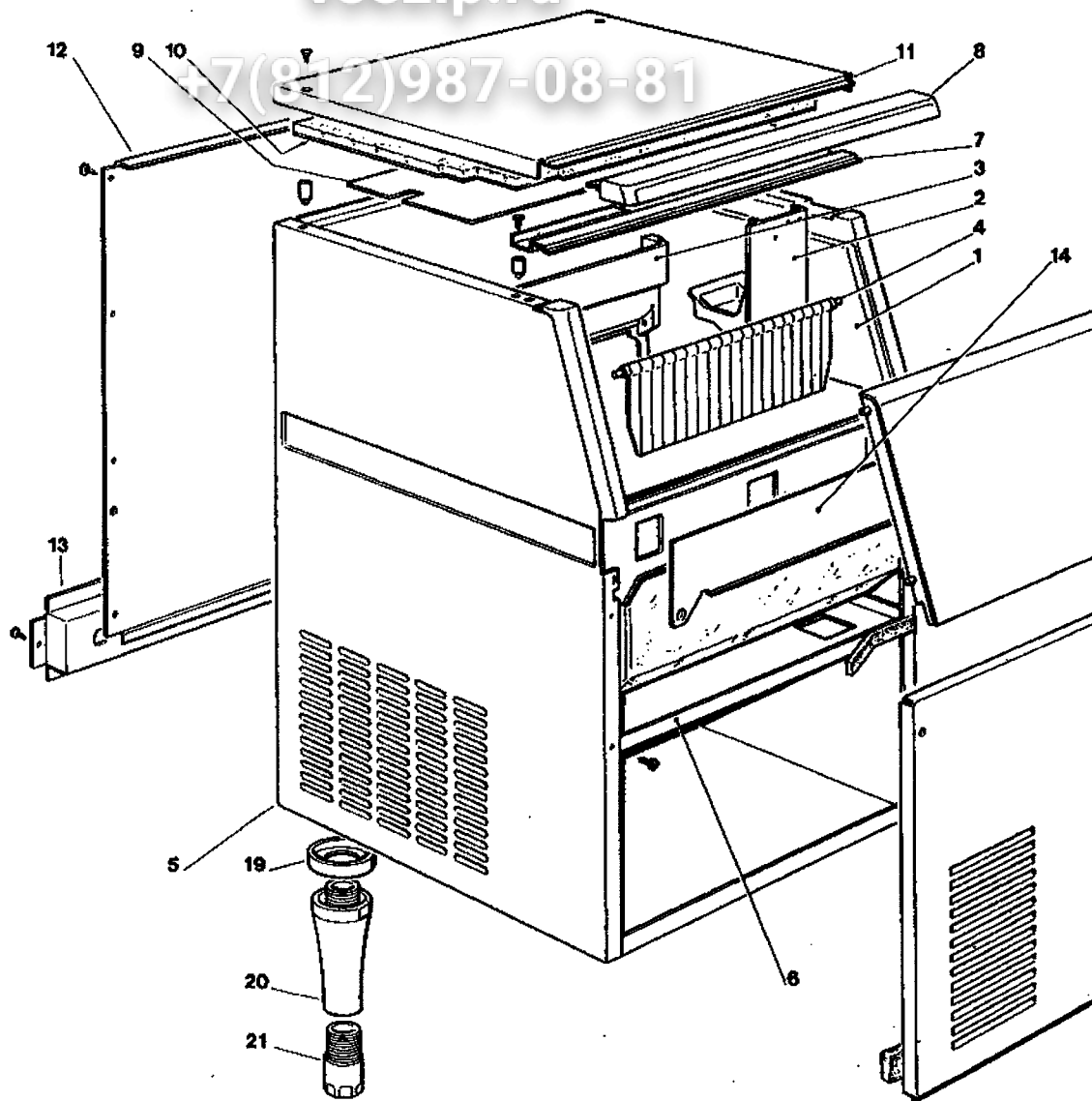
SCOTSMAN®

ICE SYSTEMS

Зип Общепит

vsezip.ru

+7(812)987-08-81



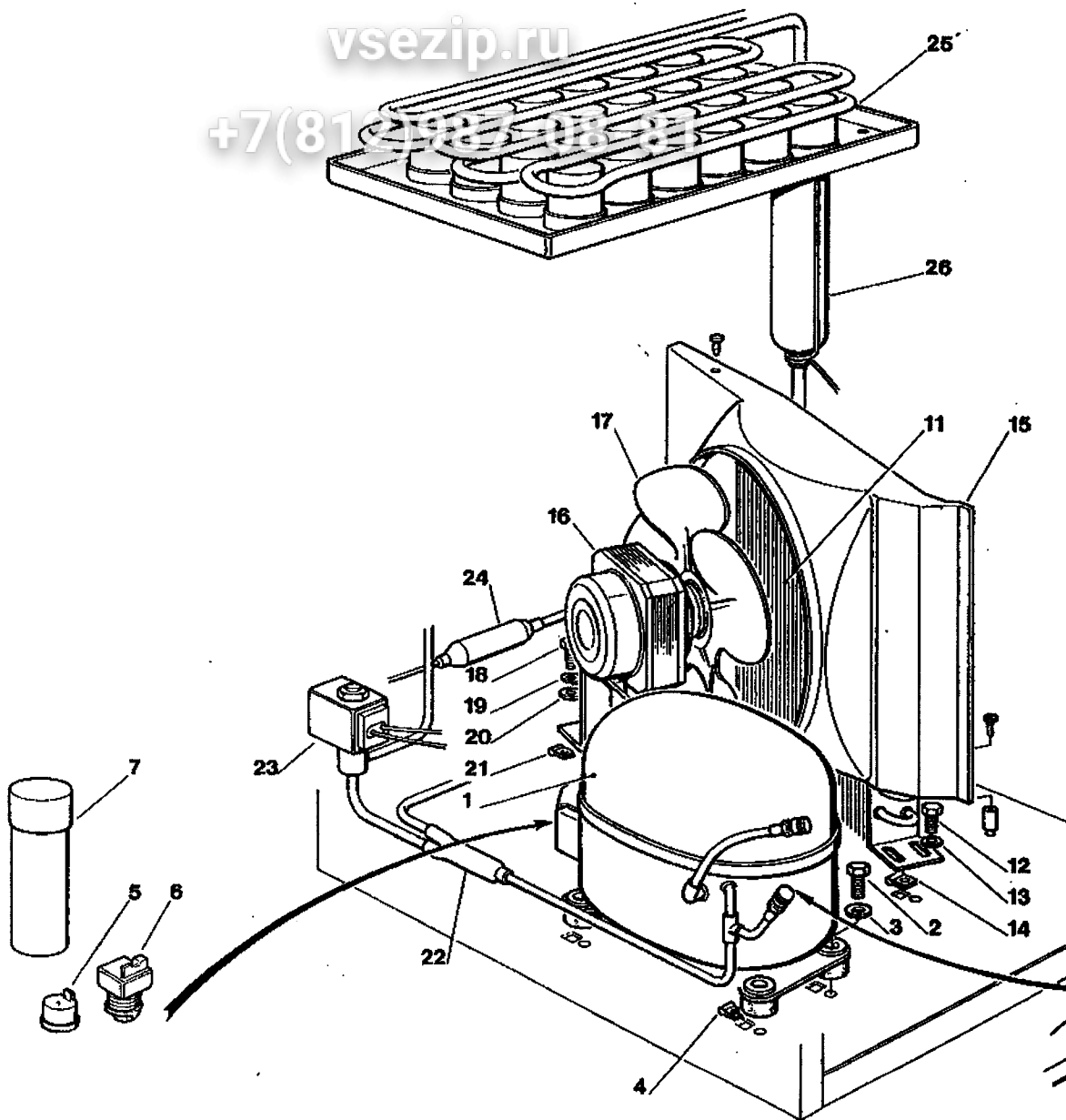
ACM 55 - UNIT PANELS - ASSIEME MOBILE - ENS. CARROSSERIE - MACHINE

ITEM NO POS NO REP. NO REF. NO	PART NO CODICE REFERENCE STUECK NR	DESCRIPTION	DESCRIZIONE	DESIGNATION
1	782070 02	INSULATED STORAGE BIN	GELATO	CABINE STOCKAGE ISOLE
2	742101 00	PUMP BRACKET	SUPPORTO POMPA	SUPPORT POMPE
3	660469 00	CURTAIN BRACKET	SUPPORTO TENDINA	SUPPORT RIDEAU
4	784169 09	CURTAIN ASSY	ASSIEME TENDINA	ENSAMBLE RIDEAU
5	781306 11	UNIT FRAME S.S.	ASSIEME TELAIO INOX	ENSAMBLE CHASSIS ACIER
6	701940 02	METAL DIVIDER	SEPARATORE IN METALLO	SEPARATEUR METALLIQUE
7	721455 00	FRONT LINER METAL BRACKET	RINFORZO FRONTALE IN METALLO	SUPPORT FRONTAL METAL
8	660468 00	PLASTIC FRONT LINER	FRONTALINO IN PLASTICA	FRONTAL EN PLASTIQUE
9	742033 00	EVAPORATOR COVER	COPERCHIO EVAPORATORE	COUVERCLE EVAPORATEUR
10	784378 00	UPPER INSULATION	ISOLAMENTO SUPERIORE	ISOLATION SUPERIEUR
11	701939 01	TOP PANEL S.S.	PANNELLO SUPERIORE ACC. INOX	PANNEAU SUPERIEURE AC
12	701938 01	REAR PANEL S.S.	PANNELLO POSTERIORE ACC. INOX	PANNEAU ARRIERE ACIER
13	701945 01	METAL BRACKET FOR FITTINGS S.S.	SUPPORTO ATTACCHI ACC. INOX	SUPPORT DE RACCORDS
14	721451 01	S.S. FRONT PLATE	PANNELLINO FRONTALE ACC. INOX	BANDE ENTRETOISE ACIER
15	701937 01	FRONT PANEL S.S.	PANNELLO FRONTALE ACC. INOX	PANNEAU AVANT ACIER IN
16	792009 05	BIN DOOR ASSY	ASSIEME SPORTELLO	ENSAMBLE PORTE CABINE
17	660286 00	DOOR RUNNER - BUSHING	BUSSOLA DI SCORRIMENTO	BAGUE DE COULISSAGE PO
18	660351 01	BIN DOOR PIN	PERNO SPORTELLO	PIVOT PORTE CABINE
19	660516 00	LEG SOCKET COLLAR	COPRIGHIERA PIEDINI	COLLIER DE SOCLE PIEDS
20	660466 00	LEG	PIEDINO	PIED
21	660258 00	LEG LEVELLER	VITE DI REGOLAZIONE	VIS DE REGLAGE DES PIED
22*	732017 15	BULB HOLDER	PORTA BULBO	PORTEBULBE
		* NOT SHOWN	* NON MOSTRATO	* PAS MONTRÉ

Зип-Общепит

vsezip.ru

+7(812)987-08-81



3ip Общепит
vsezip.ru
7(812)987-08-81

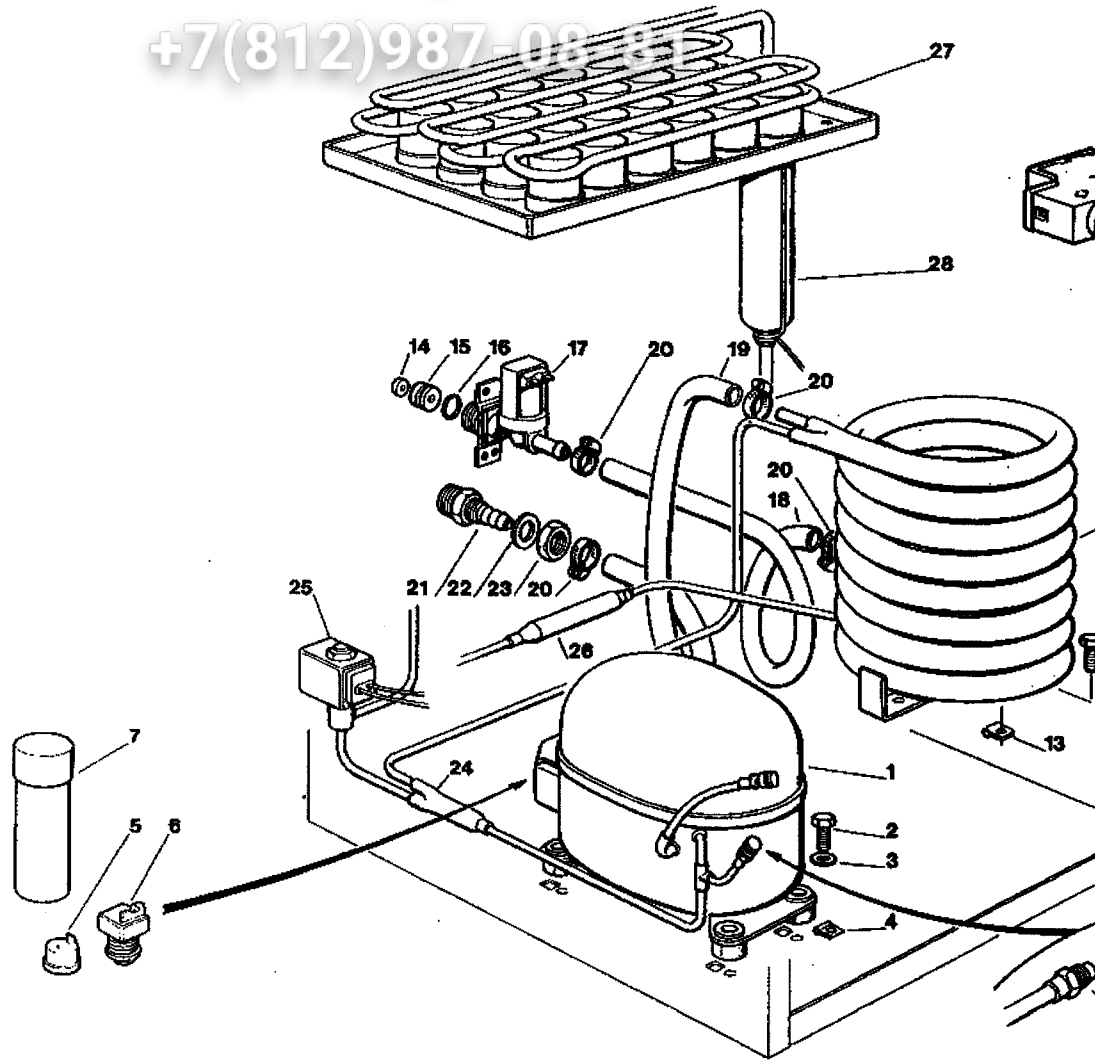
ACM 55 - REFRIGERANT SYSTEM AIR COOLED - SISTEMA REFRIGERANTE RAFFREDDAMENTO A CIRCUITO FRIGORIFICO REFRIGERANTE PER ARIA - LUFTGEKÜHLT GEFRIERSYSTEM

ITEM NO POS NO REP. NO REF. NO	PART NO CODICE REFERENCE STUECK NR	DESCRIPTION	DESCRIZIONE	DESIGNATION
1	670097 02	COMPRESSOR ASSY	ASSIEME COMPRESSORE	ENSAMBLE COMPRESSEUR
2	420002 07	SCREW	VITE	VIS
3	440084 00	WASHER	RONDELLA	RONDELLE
4	650029 03	METAL CLIP	DADO IN GABBIA	ECROU
5	620058 55	PROTECTOR	PROTETTORE	PROTECTEUR
6	620057 33	RELAY	RELE	RELAIS
7	620187 23	START CAPACITOR	CONDENSATORE D'AVVIAMENTO	CAPACITE DE DEMARRAGE
8	650109 00	VALVE BODY	CORPO VALVOLA	CORPS DE VANNE
9	670012 00	VALVE PISTON	PISTONCINO VALVOLA	PISTON
10	650106 00	VALVE CAP	CAPPUCCIO VALVOLA	CAPUCHON DE VANNE
11	620278 02	AIR COOLED CONDENSER	CONDENSATORE AD ARIA	CONDENSEUR A AIR
12	420000 23	SCREW	VITE	VIS
13	440084 00	WASHER	RONDELLA	RONDELLE
14	650029 03	METAL CLIP	MADREVITE	ECROU
15	660484 00	CONDENSER SHROUD	CONVOGLIATORE CONDENSATORE	COQUE DU CONDENSEUR
16	620003 10	FAN MOTOR	MOTORE VENTILATORE	MOTEUR DU VENTILATEUR
17	620007 03	FAN BLADE	VENTOLA	HELICE
18	420000 22	SCREW	VITE	VIS
19	440084 00	WASHER	RONDELLA	RONDELLE
20	440026 00	LOCK WASHER	RONDELLA DENTATA	RONDELLE
21	650029 03	METAL CLIP	MADREVITE	ECROU
22	630020 01	MECHANICAL FILTER	FILTRO MECCANICO	FILTRE MECANIQUE
23	620306 21 620306 28	HOT GAS VALVE ASSY HOT GAS VALVE COIL	ASSIEME VALVOLA GAS CALDO BOBINA VALVOLA GAS CALDO	ENSAMBLE VANNE GAZ CHAUD BOBINE VANNE GAZ CHAUD
24	630003 04	DRIER	FILTRO DEUMIDIFICATORE	FILTRE DESHYDRATEUR
25	784297 00	EVAPORATOR ASSY	ASSIEME EVAPORATORE	ENSAMBLE EVAPORATEUR
26	784278 11	SUCTION LINE/ACCUMULATOR	ACCUMUL. E LINEA ASPIRAZIONE	ENS. ASPIRATION/ACCUMUL.

Зип Общепит

vsezip.ru

+7(812)987-08-81



ACM 55 - REFRIGERANT SYSTEM WATER COOLED - SISTEMA REFRIGERANTE RA
CIRCUIT FRIGORIFIQUE REFROID. PAR EAU - WASSERGEKÜHLT GEFRIERS

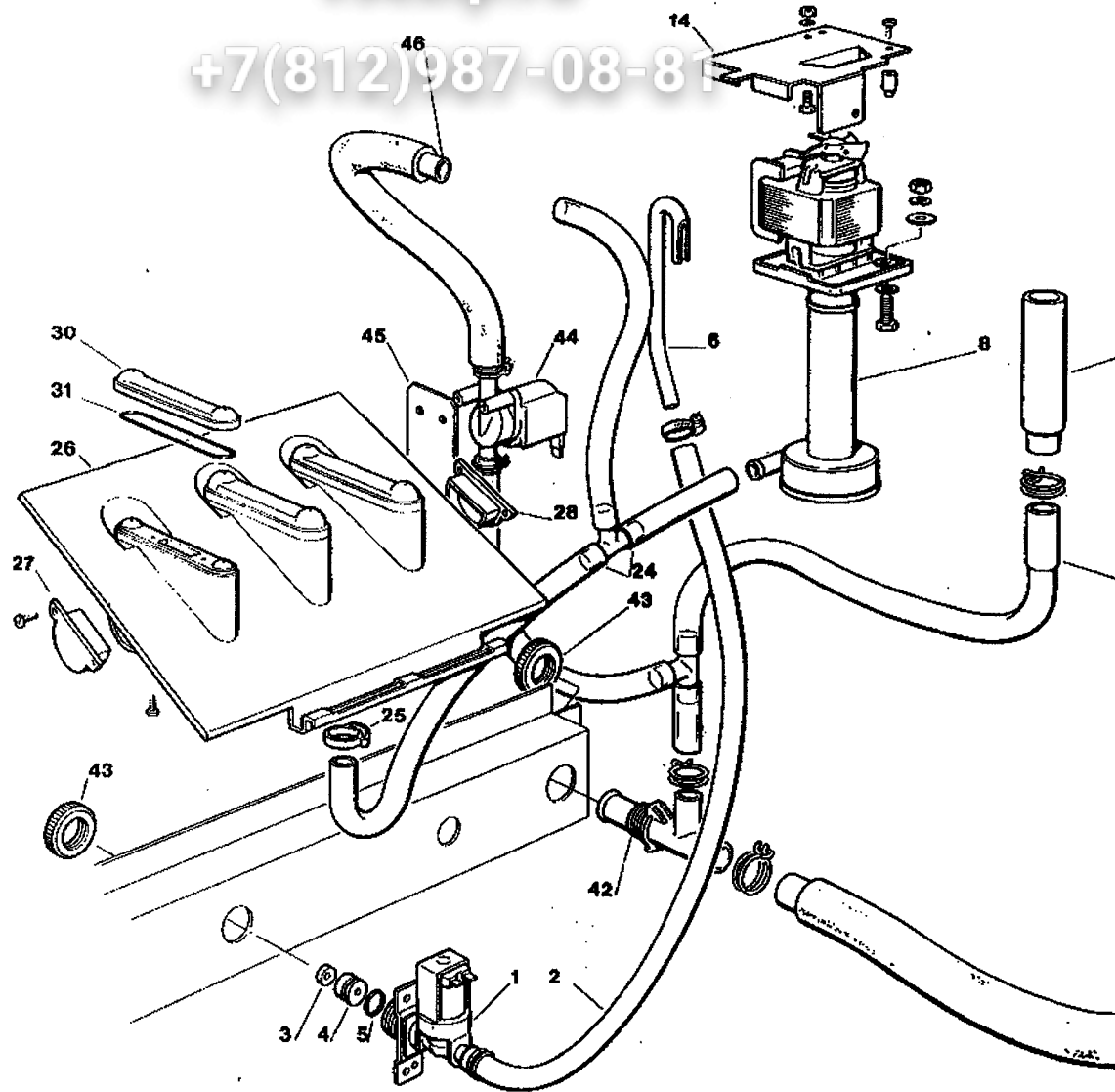
vsezip.ru

ITEM NO POS NO REP. NO REF. NO	PART NO CODICE REFERENCE STUECK NR	DESCRIPTION	DESCRIZIONE	DESIGNATION
1	670087 02	COMPRESSOR ASSY	ASSIEME COMPRESSORE	ENSAMBLE COMPRESSEUR
2	420002 07	SCREW	VITE	VIS
3	440084 00	WASHER	RONDELLA	RONDELLE
4	650029 03	METAL CLIP	DADO IN GABBIA	ECROU
5	620058 55	PROTECTOR	PROTETTORE	PROTECTEUR
6	620057 33	RELAY	RELE	RELAIS
7	620167 23	START CAPACITOR	CONDENSATORE D'AVVIAMENTO	CAPACITE DE DEMARRAGE
8	650109 00	VALVE BODY	CORPO VALVOLA	CORPS DE VANNE
9	670012 00	VALVE PISTON	PISTONCINO VALVOLA	PISTON
10	650106 00	VALVE CAP	CAPPUCCIO VALVOLA	CAPUCHON DE VANNE
11	620389 00	WATER COOLED CONDENSER	CONDENSATORE AD ACQUA	CONDENSEUR A EAU
12	420000 23	SCREW	VITE	VIS
13	650029 03	METAL CLIP	MADREVITE	ECROU
14	640022 01	FLOW CONTROL	CONTROLLO DI FLUSSO	CONTROLE DE DEBIT
15	733185 00	FLOW CONTROL BODY	CORPO CONTROLLO DI FLUSSO	CORPS CONTROLE DE DEB
16	640110 00	O RING	GUARNIZIONE O R	JOINT TORIQUE
17	650105 00	WATER INLET VALVE	VALVOLA INGRESSO ACQUA	VANNE ARRIVEE EAU
18	281900 01	PLASTIC TUBE-PER METER	TUBO IN PLASTICA-PER METRO	TUYAU EN PLASTIQUE-POU
19	281900 01	PLASTIC TUBE-PER METER	TUBO IN PLASTICA-PER METRO	TUYAU EN PLASTIQUE-POU
20	460017 00	CLAMP	FASCETTA	COLLIER
21	660291 00	3/4 GAS WATER DRAIN FITTING	SCARICO ACQUA DA 3/4 GAS	RACCORD EVACUATION 3/4
22	400031 00	FIBER WASHER	RONDELLA IN FIBRA	RONDELLE EN FIBRE
23	400030 01	NUT	DADO	ECROU
24	630020 01	MECHANICAL FILTER	FILTRO MECCANICO	FILTRE MECANIQUE
25	620306 21 620306 28	HOT GAS VALVE ASSY HOT GAS VALVE COIL	ASSIEME VALVOLA GAS CALDO BOBINA VALVOLA GAS CALDO	ENSAMBLE VANNE GAZ CHA BOBINE VANNE GAZ CHAUD
26	630003 04	DRIER	FILTRO DEUMIDIFICATORE	FILTRE DESHYDRATEUR
27	784297 00	EVAPORATOR ASSY	ASSIEME EVAPORATORE	ENSAMBLE EVAPORATEUR
28	784278 11	SUCTION LINE/ACCUMULATOR	ACCUMUL. E LINEA ASPIRAZIONE	ENS. ASPIRATION/ACCUMUL
29*	620075 02	PRESSURE CONTROL	PRESSOSTATO	PRESSOSTAT
		* NOT SHOWN	* NON MOSTRATO	* PAS MONTRÉ

Зип-Общепит

vsezip.ru

+7(812)987-08-81



ACM 55 - WATER SYSTEM - CIRCUITO IDRAULICO - CIRCUIT HYDRAULIQUE - WA

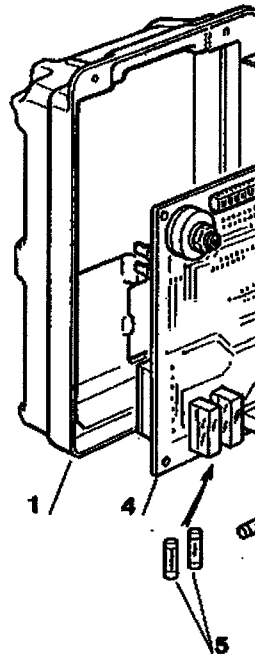
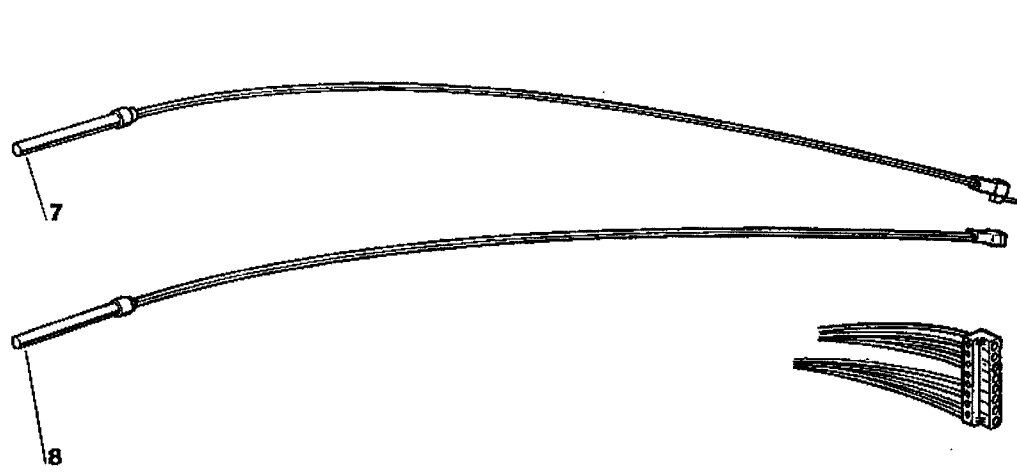
vsezip.ru

ITEM NO POS NO REP. NO REF. NO	PART NO CODICE REFERENCE STUECK NR	DESCRIPTION	DESCRIZIONE	DESIGNATION
1	650105 00	WATER INLET VALVE	VALVOLA INGRESSO ACQUA	VANNE ARRIVEE EAU
2	281900 01	WATER INLET TUBE-PER METER	TUBO INGRESSO ACQUA-PER METRO	TUYAU ARRIVEE EAU-POU
3	640022 01	FLOW CONTROL	CONTROLLO DI FLUSSO	CONTROLE DE DEBIT
4	733185 00	FLOW CONTROL BODY	CORPO CONTROLLO DI FLUSSO	CORPS CONTROLE DE DEE
5	640110 00	O RING	GUARNIZIONE O R	JOINT TORIQUE
6	734481 06	WATER INLET COPPER PIPE	TUBO DI RAME INGRESSO ACQUA	TUYAU ENTREE EAU CUIV
8	793113 27	WATER PUMP ASSY	ASSIEME POMPA	ENSAMBLE POMPE A EAU
14	723072 00	METAL BRACKET	SUPPORTO IN METALLO	SUPPORT METALLIQUE
24	610177 00	WATER TUBE - PUMP TO SPRAY SYSTEM	TUBO MANDATA POMPA	TUYAU POMPE PLAQUE D'A
25	650499 01	PLASTIC CLAMP	FASCETTA IN PLASTICA	COLLIER EN PLASTIQUE
26	793129 00	SPRAY PLATEN ASSY	ASSIEME SPRUZZATORE	ENS. PLAQUE PULVERISATI
27	660520 01	PLASTIC PLUG	TAPPO IN PLASTICA	BOUCHON EN PLASTIQUE
28	660520 00	PLASTIC PLUG	TAPPO IN PLASTICA	BOUCHON EN PLASTIQUE
30	660519 00	PLASTIC COVER	COPERCHIO IN PLASTICA	COUVERCLE EN PLASTIQUE
31	640041 20	O RING	GUARNIZIONE O R	JOINT TORIQUE
34	660211 01	DRAIN FILTER	FILTRO SCRICO ACQUA	FILTRE EVACUATION EAU
35	640134 00	O RING	GUARNIZIONE O R	JOINT TORIQUE
36	660219 01	DRAIN FITTING	RACCORDO DI SCARICO	RACCORD EVACUATION
37	610148 01	DRAIN TUBE	TUBO SCARICO	TUYAU EVACUATION
38	660387 01	OVERFLOW STAND PIPE	TUBO TROPPO PIENO	TROP PLEIN
39	610180 00	OVERFLOW DRAIN TUBE	TUBO SCARICO TROPPO PIENO	TUYAU EVACUATION TROP
42	660224 00	DRAIN T FITTING	RACCORDO DI SCARICO	RACCORD T D'EVACUATION
43	660535 00	PLASTIC RING NUT	GHIERA IN PLASTICA	COLLIER DE SERRAGE EN PL
44	620406 00	WATER DRAIN VALVE	VALVOLA SCARICO ACQUA	VANNE VIDANGE EAU
45	721537 00	BRACKET	SUPPORTO	SUPPORT
46	610173 00	TUBE	TUBO	TUYAU

Зип Общепит

vsezip.ru

+7(812)987-08-81



ACM 55 - P.C. BOARD AND SENSOR ASSY - SCHEDA ELETTRONICA E SEN

ENS. CARTE ELECTRONIQUE ET DETECTEURS - ELEKTRONISCHE KARTE UND TEMPERAT

ITEM NO POS NO REP. NO REF. NO	PART NO CODICE REFERENCE STUECK NR	DESCRIPTION	DESCRIZIONE	DESIGNATION
1	660546 00	PLASTIC CONTROL BOX	SCATOLA ELETTRICA	BOITE ELECTRIQUE
2	660547 00	CONTROL BOX COVER	COPERCHIO SCATOLA ELETTRICA	COUVERCLE BOITE DE COM
4	620403 16 620403 17	P. C. BOARD ASSY RECYCLED PC BOARD	ASSIEME SCHEDA ELETTRONICA SCHEDA EL. RICICLATA	ENSAMBLE CARTE ELECTRO CARTE ELECTR. RECYCLÉ
5	630015 10	FUSE (16 A)	FUSIBILE (16 A)	FUSIBLE (16 A)
6	630015 11	FUSE (50 mA)	FUSIBILE (50 mA)	FUSIBLE (50 mA)
7	620404 10	EVAPORATOR TEMP. SENSOR	SENSORE TEMP. EVAPORATORE	CAPTEUR TEMP. EVAPORAT
8	620404 06	ICE LEVEL CONTROL SENSOR	SENSORE CONTR. LIVELLO GHIACCIO	DETECTEUR NIVEAU GLACE
10	725023 01	METAL BRACKET	SUPPORTO IN METALLO	SUPPORT METALLIQUE

ACM 55 - COMPRESSOR CHART - TABELLA COMPRESSORI - TABLEAU COMPRESSEUR - P

+7(812)987-08-81

MODEL MODELLO MODELE MODELL	VOLTS TENSIONE TENSION SPANNUNG	COMPRESSOR MODEL MOD. COMPRESSORE TYPE COMPRESSEUR KOMPRESSOR TYP	COMPRESSOR COMPRESSORE COMPRESSEUR KOMPRESSOR	RELAY RELE' RELAIS RELAIS	P P P SC
ACM 55	115/60/1				
ACM 55	230/60/1	U.H. L 57 TN	670097 07	620057 34	62
ACM 55	220/50/1	U.H. L 57 TN	670097 02	620057 33	62

ACM 55 - ELECTRIC COMPONENTS CHART - TABELLA COMPONENTI ELETTRICI TABLEAU COMPOSANTS ELECTRIQUE - ELEKTRISCHEKARTE

MODEL MODELLO MODELE MODELL	VOLTS TENSIONE TENSION SPANNUNG	WATER PUMP POMPA POMPE A EAU WASSER PUMPE	FAN MOTOR ONLY MOTORE VENTILATORE MOTEUR VENTILATEUR LUFTER MOTOR	WATER INLET VALVE VALV. INGR. ACQUA V.E.M. ARRIVEE EAU WASSEREIN.VENTIL	HOT VALVOI V.E.M. HEISS
ACM 55	115/60/1	793113 01	620003 11	650105 01	62
ACM 55	230/60/1	793113 02	620003 10	650105 00	62
ACM 55	220/50/1	793113 27	620003 10	650105 00	62