

ACM 35

Cuber with storage

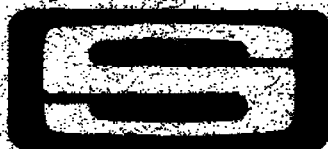
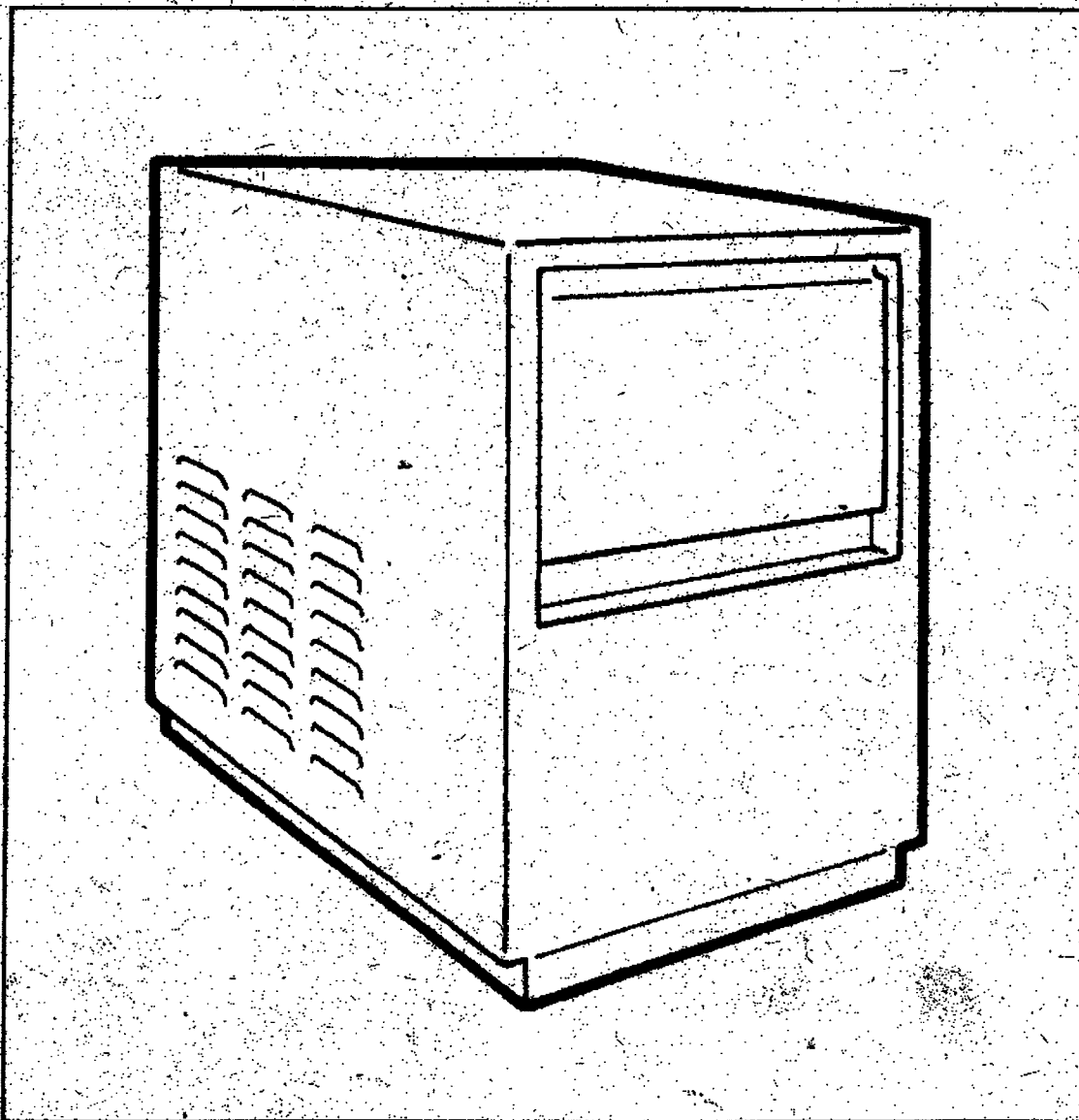
+7(812)987-08-81

Spare parts list

Catalogo ricambi

Catalogues pièces détachées

Ersatzteilkatalog



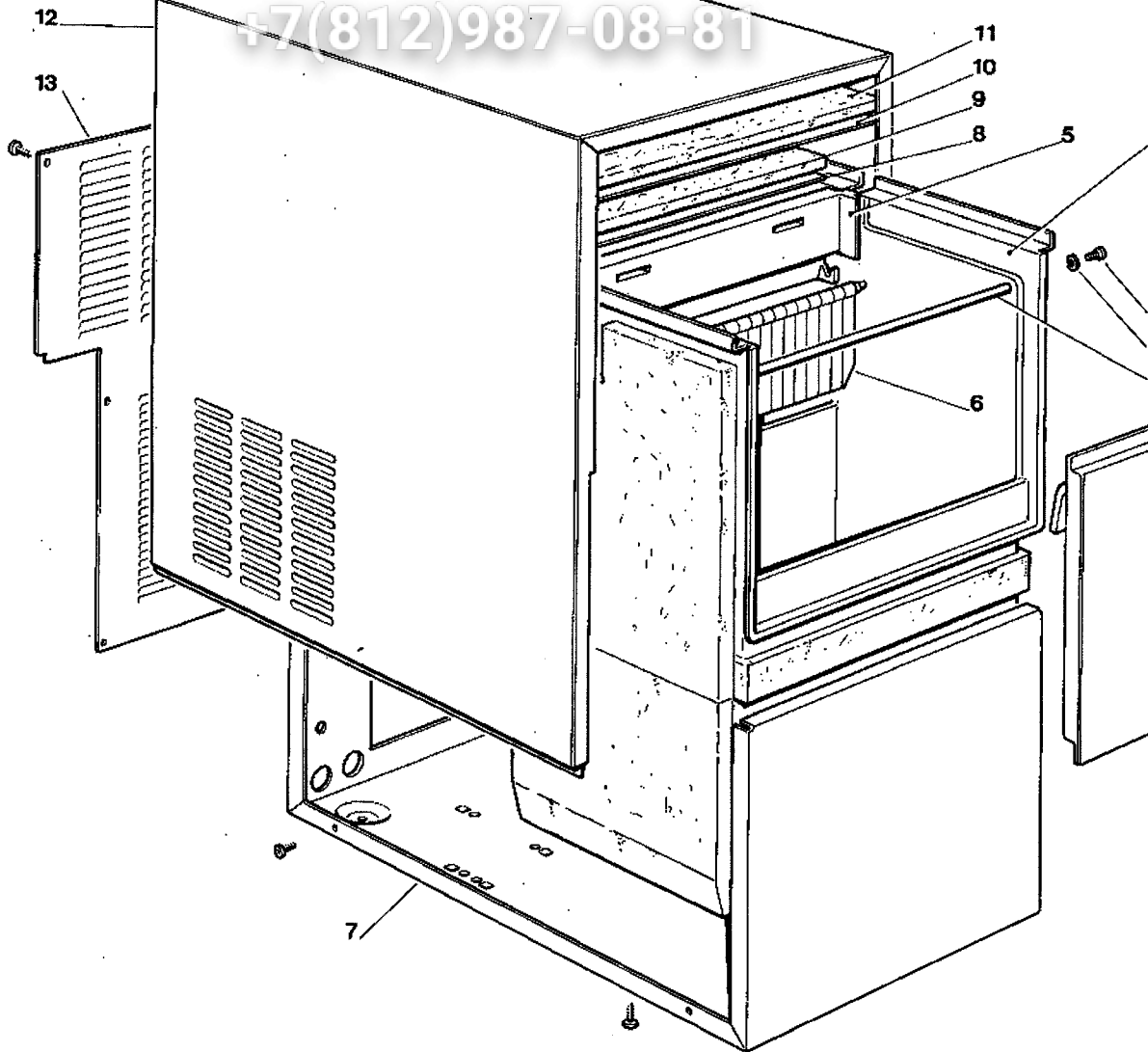
SCOTSMAN®

ICE SYSTEMS

Зип-Общепит

vsezip.ru

+7(812)987-08-81



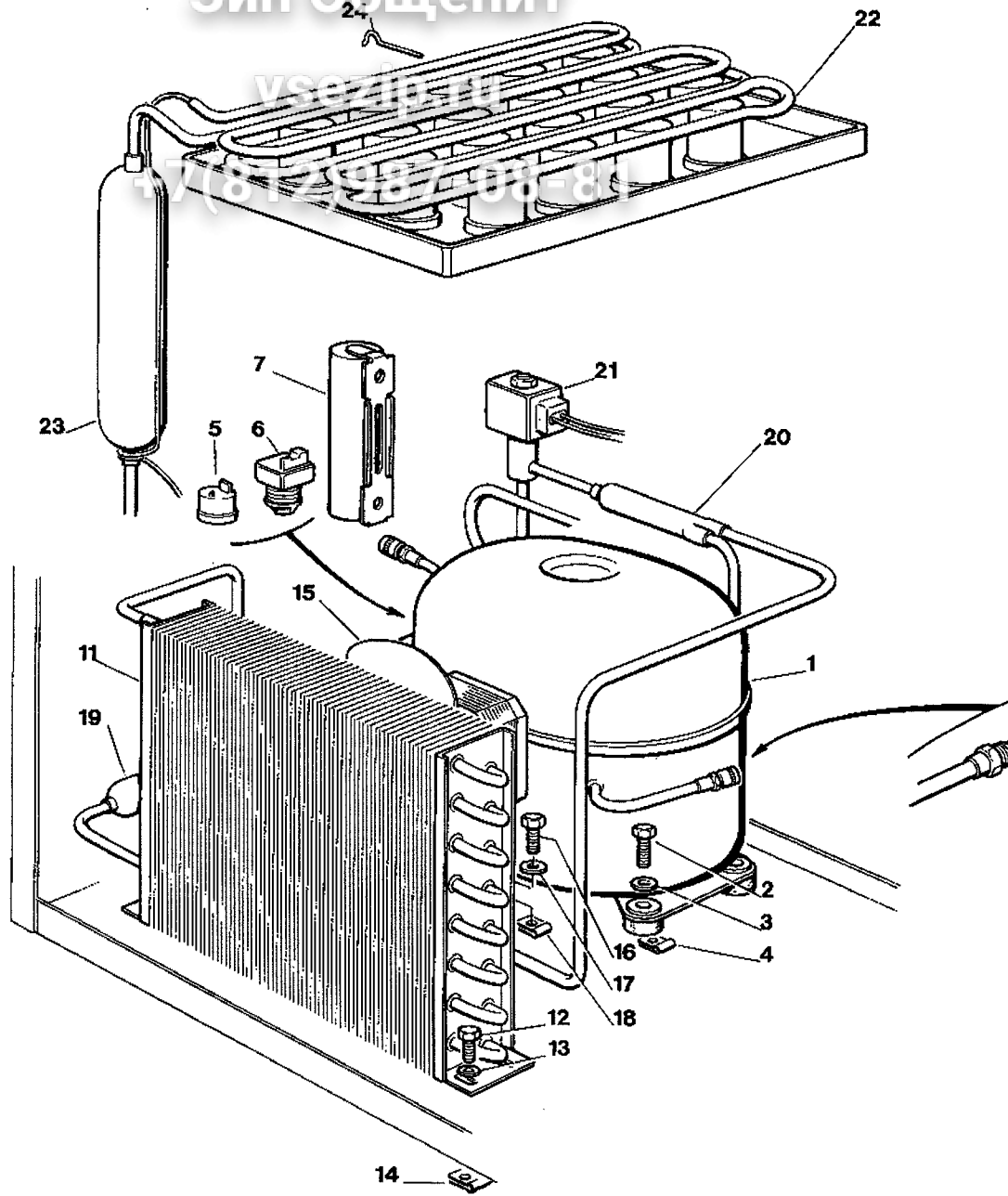
ACM 35 - UNIT PANELS - ASSIEME MOBILE - ENS. CARROSSERIE - MACHINE

ITEM NO POS NO REP. NO REF. NO	PART NO CODICE REFERENCE STUECK NR	DESCRIPTION	DESCRIZIONE	DESIGNATION
1	782056 06	INSULATED STORAGE BIN	CELLA ISOLATA	CABINE STOCKAGE ISOL
2	732010 02	BIN DOOR BRACKET	PERNO SUPPORTO SPORTELLO	SUPPORT PORTE CABINE
3	422074 00	SCREW	VITE	VIS
4	440015 05	WASHER	RONDELLA	RONDELLE
5	660230 01	CURTAIN BRACKET	SUPPORTO TENDINA	SUPPORT RIDEAU
6	784169 01	CURTAIN ASSY	ASS. TENDINA	ENSEMBLE RIDEAU
7	781299 03	UNIT BASE	ASS. BASAMENTO	ENSEMBLE CHASSIS
8	742033 00	EVAPORATOR COVER	COPERCHIO EVAPORATORE	COUVERCLE EVAPORATE
9	650361 02	INSULATION	ISOLAMENTO	ISOLATION
10	741049 03	PLASTIC COVER	COPERCHIO IN PLASTICA	COUVERCLE EN PLASTIQ
11	650236 01	INSULATION	ISOLAMENTO	INSULATION
12	701765 00	TOP PANEL	PANNELLO SUPERIORE	PANNEAU SUPERIEUR
13	701762 00	REAR PANEL	PANNELLO POSTERIORE	PANNEAU ARRIERE
14	782055 00	BIN DOOR	SPORTELLO	ENSAMBLE PORTE CABINE

Зип Общепит

vsezip.ru

7(812)987-08-81



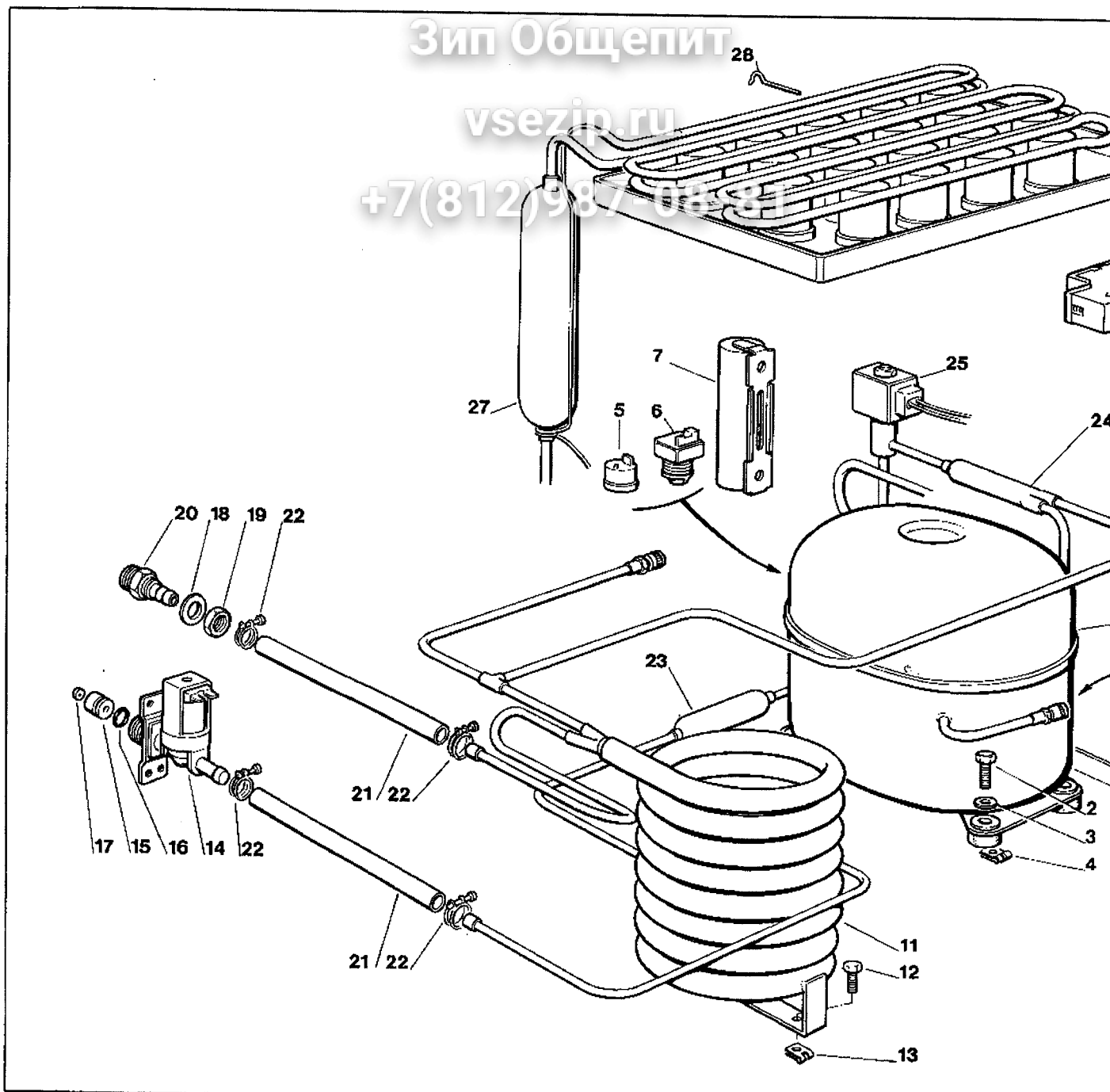
ACM 35 - REFRIGERANT SYSTEM AIR COOLED - SISTEMA REFRIGERANTE
 CIRCUIT FRIGORIFIQUE REFROID. PAR AIR - LUFTGEKÜHLT GEFRIERS

ITEM NO POS NO REP. NO REF. NO	PART NO CODICE REFERENCE STUECK NR	DESCRIPTION	DESCRIZIONE	DESIGNATION
1	670097 01	COMPRESSOR ASSY	ASS. COMPRESSORE	ENS. COMPRESSEUR
2	420018 00	SCREW	VITE	VIS
3	440084 00	WASHER	RONDELLA	RONDELLE
4	650029 03	METAL CLIP	DADO IN GABBIA	ECROU
5	620058 54	PROTECTOR	PROTETTORE	PROTECTEUR
6	620057 32	RELAY	RELE	RELAIS
7	620167 23	START CAPACITOR	CAPACITA' D'AVVIAMENTO	CAPACITÉ DE DEMARRA
8	650109 00	VALVE BODY	CORPO VALVOLA	CORPS DE VANNE
9	670012 00	VALVE PISTON	PISTONCINO VALVOLA	PISTON
10	650106 00	VALVE CAP	CAPPUCCIO VALVOLA	CAPUCHON DE VANNE
11	620276 02	AIR COOLED CONDENSER	CONDENSATORE AD ARIA	CONDENSEUR A AIR
12	420000 23	SCREW	VITE	VIS
13	440084 00	WASHER	RONDELLA	RONDELLE
14	650029 03	METAL CLIP	MADREVITE	ECROU
15	620003 13 620007 05	FAN MOTOR FAN BLADE	MOTORE VENTILATORE VENTOLA	MOTEUR DU VENTILATEUR HELICE
16	420000 22	SCREW	VITE	VIS
17	440084 00	WASHER	RONDELLA	RONDELLE
18	650029 03	METAL CLIP	MADREVITE	ECROU
19	630003 04	DRIER	FILTRO DEUMIDIFICATORE	FILTRE DESHYDRATEUR
20	630007 01	MECHANICAL FILTER	FILTRO MECCANICO	FILTRE MECANIQUE
21	620306 13 620306 28	HOT GAS VALVE ASSY HOT GAS VALVE COIL	ASSIEME VALVOLA GAS CALDO BOBINA VALVOLA GAS CALDO	ENSAMBLE VANNE GAZ BOBINE VANNE GAZ CHA
22	784195 02	EVAPORATOR ASSY	ASSIEME EVAPORATORE	ENSAMBLE EVAPORATEUR
23	784252 00	SUCTION LINE/ACCUMULATOR	ACCUMUL. E LINEA ASPIRAZIONE	ENS. ASPIRATION/ACCUM
24	650475 02	METAL CLIP	MOLLETTA METALLICA	CLIP METALLIQUE

Зип Ощепит

vsezip.ru

+7(812)987-08-81



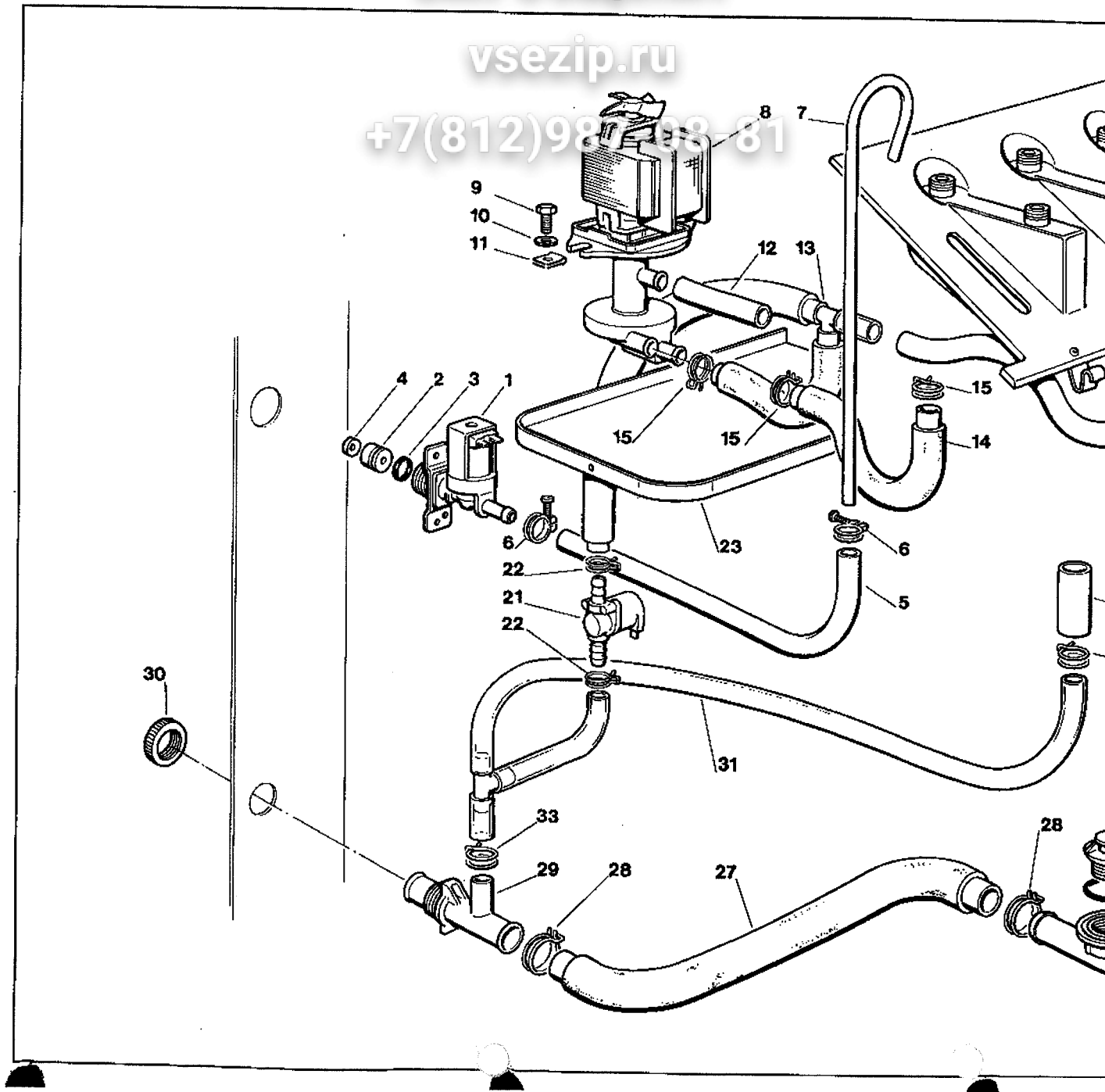
**ACM 35 - REFRIGERATION SYSTEM WATER COOLED - SISTEMA REFRIGERANTE RA
CIRCUIT FRIGORIFICO REFRIG. PAR EAU - WASSERGEKÜHLT GEFRIERSY**

ITEM NO POS NO REP. NO REF. NO	PART NO CODICE REFERENCE STUECK NR	DESCRIPTION	DESCRIZIONE	DESIGNATION
1	670097 01	COMPRESSOR ASSY	ASSIEME COMPRESSORE	ENSAMBLE COMPRESSEUR
2	420018 00	SCREW	VITE	VIS
3	440084 00	WASHER	RONDELLA	RONDELLE
4	650029 03	METAL CLIP	DADO IN GABBIA	ECROU
5	620058 54	PROTECTOR	PROTETTORE	PROTECTEUR
6	620057 32	RELAY	RELE	RELAIS
7	620167 23	START CAPACITOR	CONDENSATORE D'AVVIAMENTO	CAPACITE DE DEMARRAGE
8	650109 00	VALVE BODY	CORPO VALVOLA	CORPS DE VANNE
9	670012 00	VALVE PISTON	PISTONCINO VALVOLA	PISTON
10	650106 00	VALVE CAP	CAPPUCCIO VALVOLA	CAPUCHON DE VANNE
11	620389 00	WATER COOLED CONDENSER	CONDENSATORE AD ACQUA	CONDENSEUR A EAU
12	420000 22	SCREW	VITE	VIS
13	650029 03	METAL CLIP	MADREVITE	ECROU
14	650105 00	WATER INLET VALVE	VALVOLA INGRESSO ACQUA	VANNE ARRIVEE EAU
15	733185 00	FLOW CONTROL BODY	CORPO CONTROLLO DI FLUSSO	CORPS CONTROLE DE DEBIT
16	640110 00	O RING	GUARNIZIONE O R	JOINT TORIQUE
17	640022 03	FLOW CONTROL	CONTROLLO DI FLUSSO	CONTROLE DE DEBIT
18	400031 00	FIBER WASHER	RONDELLA IN FIBRA	RONDELLE EN FIBRE
19	400030 01	NUT	DADO	ECROU
20	660291 00	3/4 GAS WATER DRAIN FITTING	SCARICO ACQUA DA 3/4 GAS	RACCORD EVACUATION 3/4"
21	281900 01	PLASTIC TUBE-PER METER	TUBO IN PLASTICA-PER METRO	TUYAU EN PLASTIQUE-PER METRE
22	480017 00	CLAMP	FASCETTA	COLLIER
23	630003 04	DRIER	FILTRO DEUMIDIFICATORE	FILTRE DESHYDRATEUR
24	630007 01	MECHANICAL FILTER	FILTRO MECCANICO	FILTRE MECANIQUE
25	620306 13 620306 28	HOT GAS VALVE ASSY HOT GAS VALVE COIL	ASSIEME VALVOLA GAS CALDO BOBINA VALVOLA GAS CALDO	ENSAMBLE VANNE GAZ CHAUDE BOBINE VANNE GAZ CHAUDE
26	784195 02	EVAPORATOR ASSY	ASSIEME EVAPORATORE	ENSAMBLE EVAPORATEUR
27	784252 00	SUCTION LINE/ACCUMULATOR	ACCUMUL. E LINEA ASPIRAZIONE	ENS. ASPIRATION/ACCUMULATEUR
28	650475 02	METAL CLIP	MOLLETTA IN METALLO	CLIP METALLIQUE
29	620075 02	PRESSURE CONTROL	PRESSOSTATO	PRESSOSTAT

Зип Общепит

vsezip.ru

+7(812)987-98-81



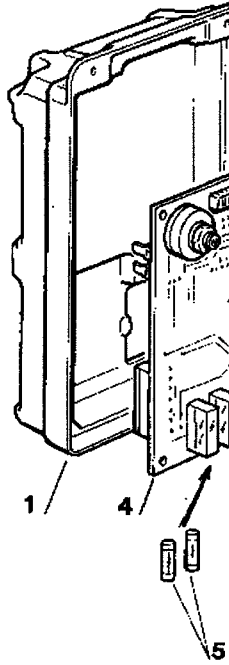
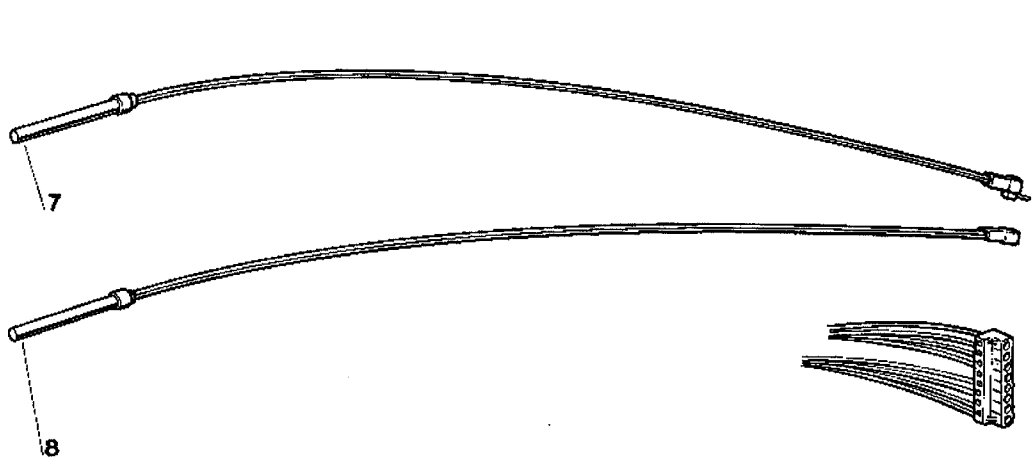
ACM 35 - WATER SYSTEM - CIRCUITO IDRAULICO - CIRCUIT HYDRAULIQUE - W

ITEM NO POS NO REP. NO REF. NO	PART NO CODICE REFERENCE STUECK NR	DESCRIPTION	DESCRIZIONE	DESIGNATION
1	650105 00	WATER INLET VALVE	VALVOLA INGRESSO ACQUA	VANNE ARRIVEE EAU
2	733185 00	FLOW CONTROL BODY	CORPO CONTROLLO DI FLUSSO	CORPS CONTROLE DE D
3	640110 00	O RING	GUARNIZIONE O R	JOINT TORIQUE
4	640022 01	FLOW CONTROL	CONTROLLO DI FLUSSO	CONTROLE DE DEBIT
5	281900 01	WATER INLET TUBE-PER METER	TUBO INGRESSO ACQUA-PER METRO	TUYAU ARRIVEE EAU-PO
6	460017 00	CLAMP	FASCETTA	COLLIER
7	733164 02	WATER INLET COPPER PIPE	TUBO DI RAME INGRESSO ACQUA	TUYAU ENTREE EAU CU
8	670036 06	WATER PUMP ASSY	ASSIEME POMPA	ENSAMBLE POMPE A EA
9	420010 00	SCREW	VITE	VIS
10	440050 02	WASHER	RONDELLA	RONDELLE
11	650029 03	NUT	DADO	ECROU
12	281830 04	TUBE - PUMP/OVERFLOW - PER MTR	TUBO - POMPA/TROPPO PIENO - PER MTR	TUYAU - POMPE/TROP PLEI
13	610174 00	WATER TUBE - PUMP/HOSE BARB	TUBO - MANDATA	TUYAU - REFOULEMENT
14	610163 00	WATER TUBE - SUCTION	TUBO - ASPIRAZIONE	TUYAU - ASPIRATION
15	460025 00	CLAMP	FASCETTA	COLLIER
16	610165 00	WATER TUBE - HOSE BARB/SPRAY SYSTEM	TUBO - RACCORDO/SPRUZZATORE	TUYAU - RACCORD/PLAT
17	650499 01	PLASTIC CLAMP	FASCETTA IN PLASTICA	COLLIER EN PLASTIQUE
18	793089 01	SPRAY PLATEN ASSY	ASSIEME SPRUZZATORE	ENS. PLAQUE PULVERISA
19	660296 02	SPINNER JET	RONDELLA SPRUZZANTE	BUSE DE GICLEUR
20	660155 03	JET CUP	CAPPUCCIO SPRUZZATORE	CAPUCHON DE GICLEUR
21	620406 00	WATER DRAIN VALVE	VALVOLA SCARICO ACQUA	VANNE DE VIDANGE D'EA
22	460001 03	CLAMP	FASCETTA	COLLIER
23	660277 00	DRIP TRAY	RACCOGLI GOCCIE	BAC RECUPERATION EAU
24	660211 01	DRAIN FILTER	FILTRO SCRICO ACQUA	FILTRE EVACUATION EAU
25	640134 00	O RING	GUARNIZIONE O R	JOINT TORIQUE
26	660213 01	DRAIN FITTING	RACCORDO DI SCARICO	RACCORD EVACUATION
27	281830 00	DRAIN TUBE - PER MTR	TUBO SCARICO - PER MTR	TUYAU EVACUATION - PO
28	460036 00	CLAMP	FASCETTA	COLLIER
29	660224 00	DRAIN T FITTING	RACCORDO DI SCARICO	RACCORD T D'EVACUATI
30	660535 00	PLASTIC RING NUT	GHIERA IN PLASTICA	COLLIER DE SERRAGE EN
31	610174 01	OVERFLOW DRAIN TUBE ASSY	ASS. TUBO SCARICO TROPPO PIENO	ENS. TUYAU EVACUATION
32	281720 03	OVERFLOW STAND PIPE	TUBO TROPPO PIENO	TROP PLEIN
33	460030 00	CLAMP	FASCETTA	COLLIER

Зип-Общепит

vsezip.ru

+7(812)987-08-81



ACM 35 - P.C. BOARD AND SENSOR ASSY - SCHEDA ELETTRONICA E SENSORI - ENS. CARTE EL
 ELEKTRONISCHE KARTE UND TEMPERATURFUEHLERENHEIT

ITEM NO POS NO REP. NO REF. NO	PART NO CODICE REFERENCE STUECK NR	DESCRIPTION	DESCRIZIONE	DESIGNATION
1	680546 00	PLASTIC CONTROL BOX	SCATOLA ELETTRICA	BOITE ELECTRIQUE
2	660547 00	CONTROL BOX COVER	COPRIFoglio SCATOLA ELETTRICA	COUVERCLE BOITE DE C
3	470100 00	SCREW	VITE	VIS
4	620403 05	P. C. BOARD ASSY	ASSIEME SCHEDA ELETTRONICA	ENSAMBLE CARTE ELEC
5	630015 10	FUSE	FUSIBILE	FUSIBLE
6	630015 11	FUSE	FUSIBILE	FUSIBLE
7	620404 10	EVAPORATOR TEMP. SENSOR	SENSORE TEMP. EVAPORATORE	CAPTEUR TEMP. EVAPO
8	620404 06	ICE LEVEL CONTROL SENSOR	SENSORE CONTR. LIVELLO GHIACCIO	DETECTEUR NIVEAU GL
9	470079 00	SCREW	VITE	VIS
10	705188 00	METAL BRACKET	SUPPORTO IN METALLO	SUPPORT METALLIQUE

Зип Общепит

vsezip.ru

COMPRESSOR CHART - TABELLA COMPRESSORI - TABLEAU COMPRESSEUR - KOM

+7(812)987-08-81

MODEL MODELLO MODELE MODELL	VOLTS TENSIONE TENSION SPANNUNG	COMPRESSOR MODEL MOD. COMPRESSORE TYPE COMPRESSEUR KOMPRESSOR TYP	COMPRESSOR COMPRESSORE COMPRESSEUR KOMPRESSOR	RELAY RELE' RELAIS RELAIS	P PI PI SC
ACM 35	115/60/1				
ACM 35	230/60/1	U.H. L 45TN	67009706	620057.33	62
ACM 35	220/50/1	U.H. L 45 TN	670097 01	620057 32	6

ELECTRIC COMPONENTS CHART - TABELLA COMPONENTI ELETTRICI - TABLEAU COMPOSANTS ELE

MODEL MODELLO MODELE MODELL	VOLTS TENSIONE TENSION SPANNUNG	WATER PUMP POMPA POMPE A EAU WASSER PUMPE	FAN MOTOR ONLY MOTORE VENTILATORE MOTEUR VENTILATEUR LUFTER MOTOR	WATER INLET VALVE VALV. INGR. ACQUA V.E.M. ARRIVÉE EAU WASSEREIN.VENTIL	WATER DRAIN VALVE VALV. SCARICO ACQUA V.E.M. EVACUATION EAU WASSERABFL.VENTIL	HC BOBIN BOBIN HEIS
ACM 35	115/60/1					
ACM 35	230/60/1					
ACM 35	220/50/1	670036 06	620003 13	650105 00	620406 00	