

Зип Общепит

**SCOTSMAN**

vsezip.ru

+7(812)987-08-81

®

# **ELECTRONIC CUBER WITH STORAGE**

## **AC 225**

### **R 404 A VERSION**

**SPARE PARTS LIST  
CATALOGO RICAMBI  
CATALOGUE PIÈCES DÉTACHÉES  
ERSATZTEILENKATALOG**

Зип Общепит

vsezip.ru

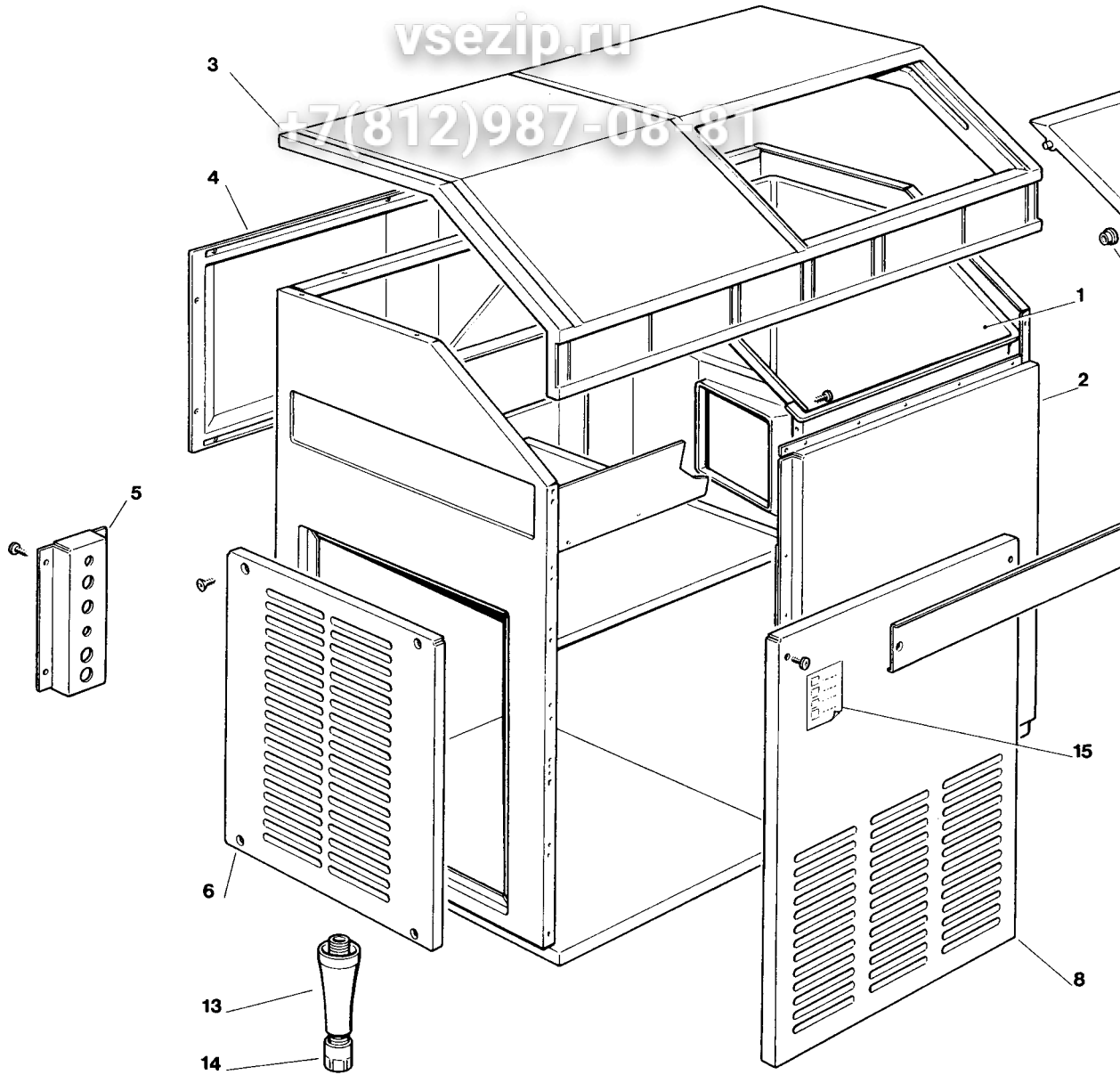
+7(812)987-08-81

| PAGE<br>PAGINA<br>PAGE<br>SEITE | TABLE OF CONTENTS                           | INDICE  | TABLE DES MATIERES                                 |
|---------------------------------|---|---|--|
| 1                               | TABLE OF CONTENTS                           | INDICE  | TABLE DES MATIÈRES                                 |
| 2-3                             | UNIT PANELS                                 | ASSIEME MOBILE                                | ENS. CARROSSERIE                                   |
| 4-5                             | REFRIGERANT SYSTEM<br>AIR COOLED            | SISTEMA REFRIGERANTE<br>RAFFR. AD ARIA        | CIRCUIT FRIGORIFIQUE<br>REFROID. A AIR             |
| 6-7                             | REFRIGERANT SYSTEM<br>WATER COOLED          | SISTEMA REFRIGERANTE<br>RAFFR. AD ACQUA       | CIRCUIT FRIGORIFIQUE<br>REFROID. A EAU             |
| 8-9                             | WATER SYSTEM                                | CIRCUITO IDRAULICO                            | CIRCUIT HYDRAULIQUE                                |
| 10-11                           | P.C. BOARD AND<br>SENSOR ASSY               | SCHEDA ELETTRONICA E<br>SENSORI               | ENS. CARTE ELECTRONIQUE<br>ET DETECTEURS           |
| 12                              | COMPRESSOR AND ELECTRIC<br>COMPONENT CHARTS | TABELLA COMPRESSORI E<br>COMPONENTI ELETTRICI | LISTE DES COMPRESSEURS<br>ET COMPOSANTS ELECTRIQUE |

Зип-Общепит

vsezip.ru

+7(812)987-08 81



Зип-Общепит

AC 225 - UNIT PANELS - ASSIEME MOBILE - ENS. CARROSSERIE - MACHINE G

vsezip.ru

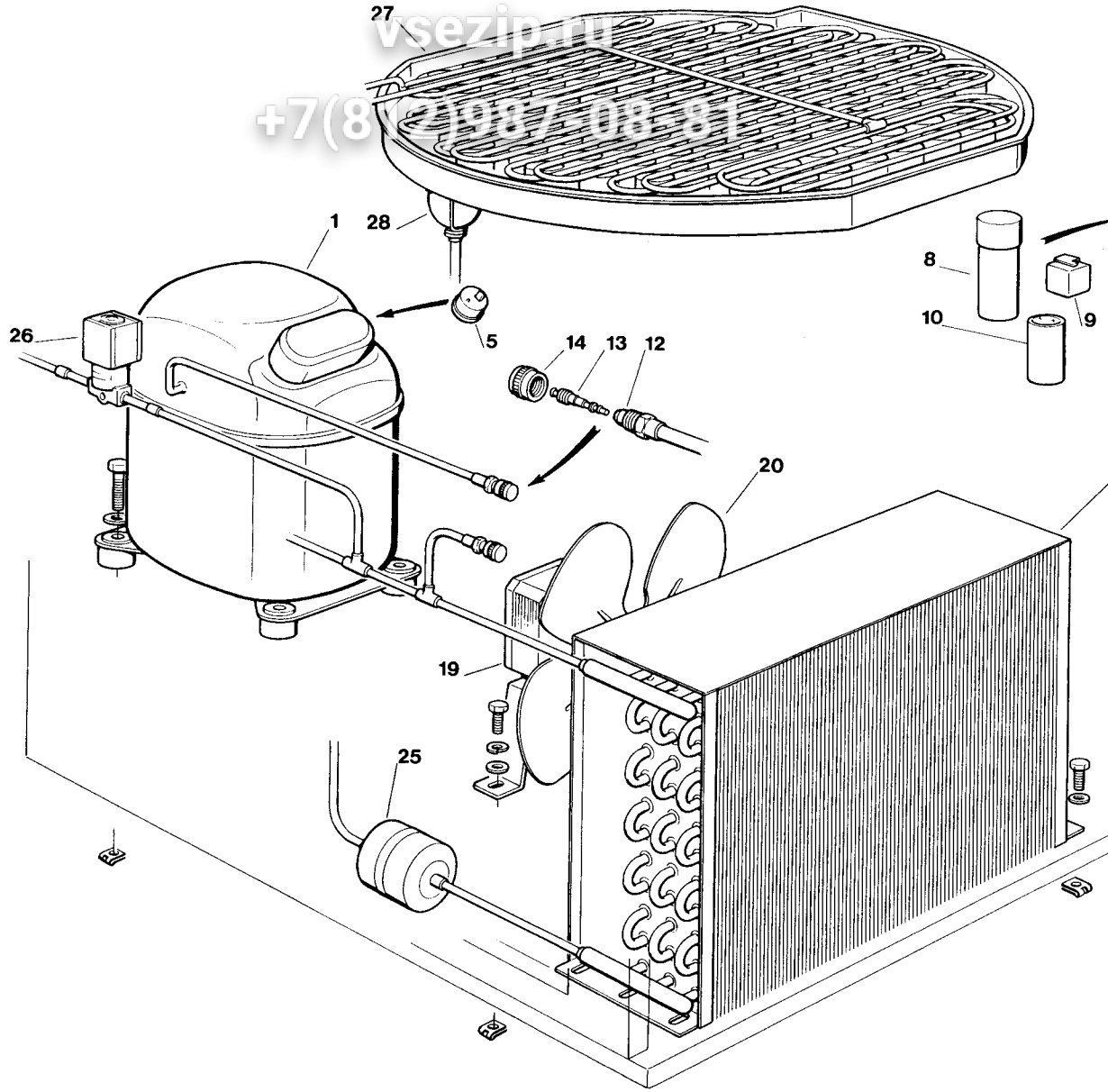
| ITEM NO<br>POS NO<br>REP. NO<br>REF. NO | PART NO<br>CODICE<br>REFERENCE<br>STUECK NR | DESCRIPTION                            | DESCRIZIONE  | DESIGNATION  |
|---|---|--|--|--|
| 1                                       | 660502 00                                   | STORAGE BIN                            | CONTENITORE CHIAVIO  | CABINE STOCKAGE                                    |
| 2                                       | 781407 00                                   | UNIT FRAME S.S.                        | ASSIEME TELAIO INOX  | ENSAMBLE CHASSIS ACIER                             |
| 3                                       | 660490 08                                   | PLASTIC TOP PANEL                      | PANNELLO SUPERIORE IN PLASTICA                                   | PANNEAU SUPERIEUR EN PL                            |
| 4                                       | 660503 00<br>702232 00                      | PLASTIC REAR PANEL<br>LOWER REAR PANEL | PANNELLO POSTERIORE IN PLASTICA<br>PANNELLO POSTERIORE INFERIORE | PANNEAU ARRIERE EN PLAS<br>PANNEAU ARRIERE INFERIE |
| 5                                       | 701993 03                                   | METAL BRACKET FOR FITTINGS S.S.        | SUPPORTO ATTACCHI ACC. INOX                                      | SUPPORT DE RACCORDS S                              |
| 6                                       | 701808 01                                   | LEFT SIDE PANEL S.S.                   | PANNELLO LATERALE SX ACC. INOX                                   | PANNEAU GAUCHE INOX                                |
| 7                                       | 721437 06 R                                 | S.S. FRONT STRIPE                      | BANDA FRONTALE ACC. INOX   | BANDE ENTRETOISE ACIER                             |
| 8                                       | 781309 13                                   | FRONT PANEL S.S.                       | PANNELLO FRONTALE ACC. INOX                                      | PANNEAU AVANT ACIER INO                            |
| 9                                       | 792011 02 R                                 | BIN DOOR ASSY                          | ASSIEME SPORTELLO  | ENSAMBLE PORTE CABINE                              |
| 10                                      | 660286 00                                   | DOOR RUNNER - BUSHING                  | BUSSOLA DI SCORRIMENTO   | BAGUE DE COULISSAGE PO                             |
| 13-14                                   | 650670 00                                   | LEG + LEG LEVELLER KIT (4 PCS)         | KIT PIEDINO + VITE DI REGOLAZIONE                                | KIT PIED + VIS DE REGLAGE DI                       |
| 15                                      | 650624 01                                   | LABEL                                  | ADESIVO SEGNALETICO  | ETIQUETTE  |
|   |   |  |  |  |

Зип Общежит

27

vsezip.ru

+7(812)987-08-81



AC 225 - REFRIGERANT SYSTEM AIR COOLED - SISTEMA REFRIGERANTE RA

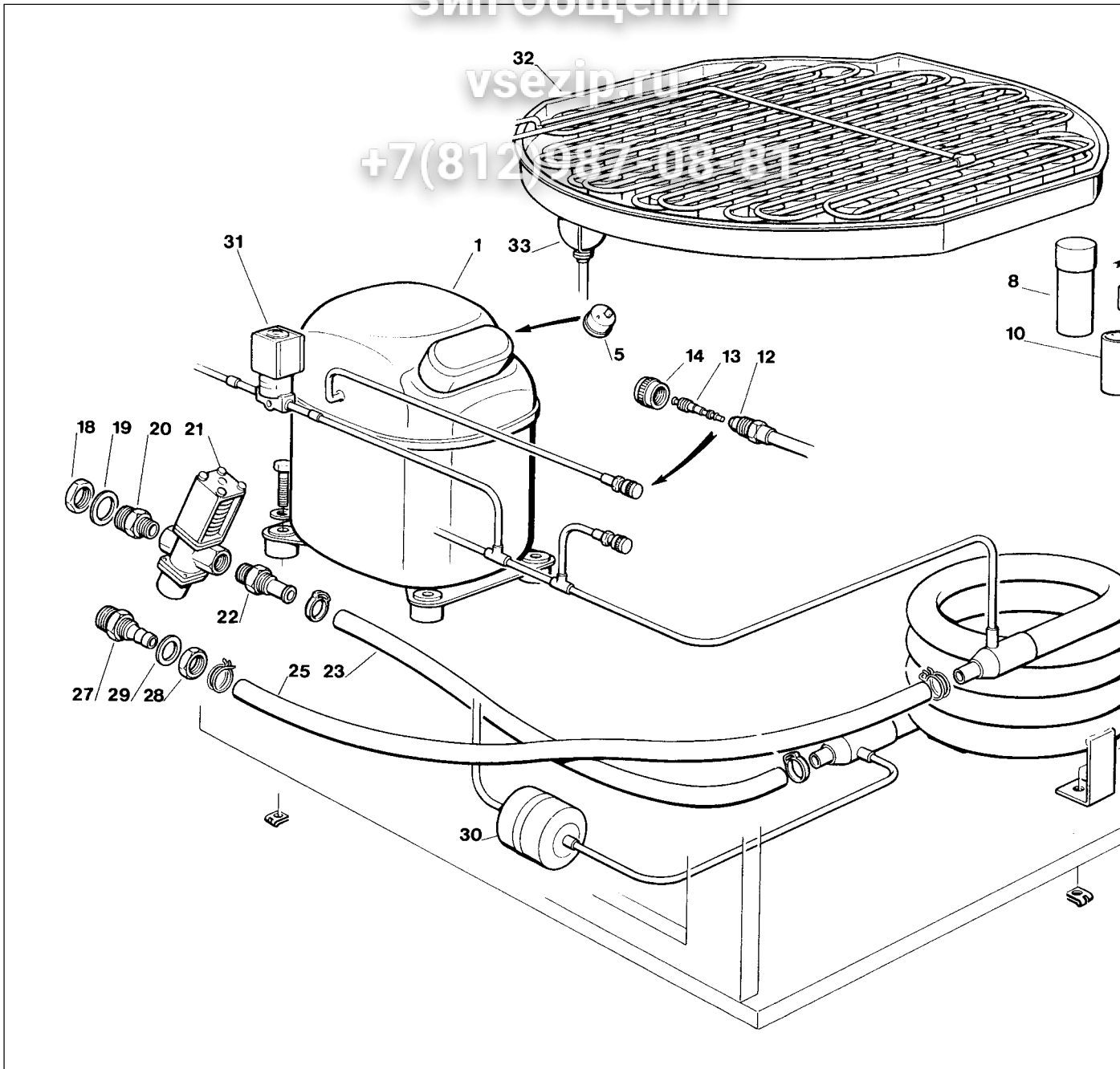
CIRCUIT FRIGORIFIQUE REFROID. PAR AIR - LUFTGEKÜHLT GEFRIERSY

| ITEM NO<br>POS NO<br>REP. NO<br>REF. NO | PART NO<br>CODICE<br>REFERENCE<br>STUECK NR | DESCRIPTION   | DESCRIZIONE   | DESIGNATION   |
|---|---|---|---|---|
| 1                                       | 670099 04                                   | COMPRESSOR ASSY   | ASSIEME COMPRESSORE   | ENSAMBLE COMPRESSEUR  |
| 5                                       | 620058 78                                   | PROTECTOR   | PROTETTORE  | PROTECTEUR  |
| 8                                       | 620167 21                                   | RUN CAPACITOR   | CONDENSATORE DI MARCIA  | CAPACITÉ PERMANENCE   |
| 9                                       | 620057 46                                   | RELAY   | RELE D'AVVIAMENTO   | RELAIS  |
| 10                                      | 620167 01                                   | START CAPACITOR   | CONDENSATORE D'AVVIAMENTO   | CAPACITÉ DE DEMARRAGE   |
| 12                                      | 650109 00                                   | VALVE BODY  | CORPO VALVOLA   | CORPS DE VANNE  |
| 13                                      | 670012 00                                   | VALVE PISTON  | PISTONCINO VALVOLA  | PISTON  |
| 14                                      | 650106 00                                   | VALVE CAP   | CAPPUCCIO VALVOLA   | CAPUCHON DE VANNE   |
| 15                                      | 620436 00                                   | AIR COOLED CONDENSER  | CONDENSATORE AD ARIA  | CONDENSEUR A AIR  |
| 19                                      | 620419 04                                   | FAN MOTOR   | MOTORE VENTILATORE  | MOTEUR DU VENTILATEUR   |
| 20                                      | 620419 34                                   | FAN BLADE   | VENTOLA   | HELICE  |
| 25                                      | 670006 01                                   | DRIER   | FILTRO DEUMIDIFICATORE  | FILTRE DESHYDRATEUR   |
| 26                                      | 620306 46<br>620306 48                      | HOT GAS VALVE ASSY<br>HOT GAS VALVE COIL                          | ASSIEME VALVOLA GAS CALDO<br>BOBINA VALVOLA GAS CALDO                         | ENSAMBLE VANNE GAZ CHA<br>BOBINE VANNE GAZ CHAUD                        |
| 27                                      | 784434 00<br>784435 00<br>784436 00         | EVAPORATOR ASSY-ACL<br>EVAPORATOR ASSY-ACM<br>EVAPORATOR ASSY-ACS | ASSIEME EVAPORATORE-ACL<br>ASSIEME EVAPORATORE-ACM<br>ASSIEME EVAPORATORE-ACS | ENSAMBLE ÉVAPORATEUR-<br>ENSAMBLE ÉVAPORATEUR-<br>ENSAMBLE ÉVAPORATEUR- |
| 28                                      | 784452 01                                   | SUCTION LINE/ACCUMULATOR  | ACCUMUL. E LINEA ASPIRAZIONE  | ENS. ASPIRATION/ACCUMUL   |
|   |   |   |   |   |

Зип-Общепит

vsezip.ru

+7(812)987-08-81



3ip Общепит  
vsezip.ru  
87(812)98741887

**AC 225 - REFRIGERANT SYSTEM WATER COOLED - SISTEMA REFRIGERANTE RAFFREDDAMENTO A CIRCUI  
CIRCUIT FRIGORIFIQUE REFROID. PAR EAU - WASSERGEKÜHLT GEFRIERSYSTEM**

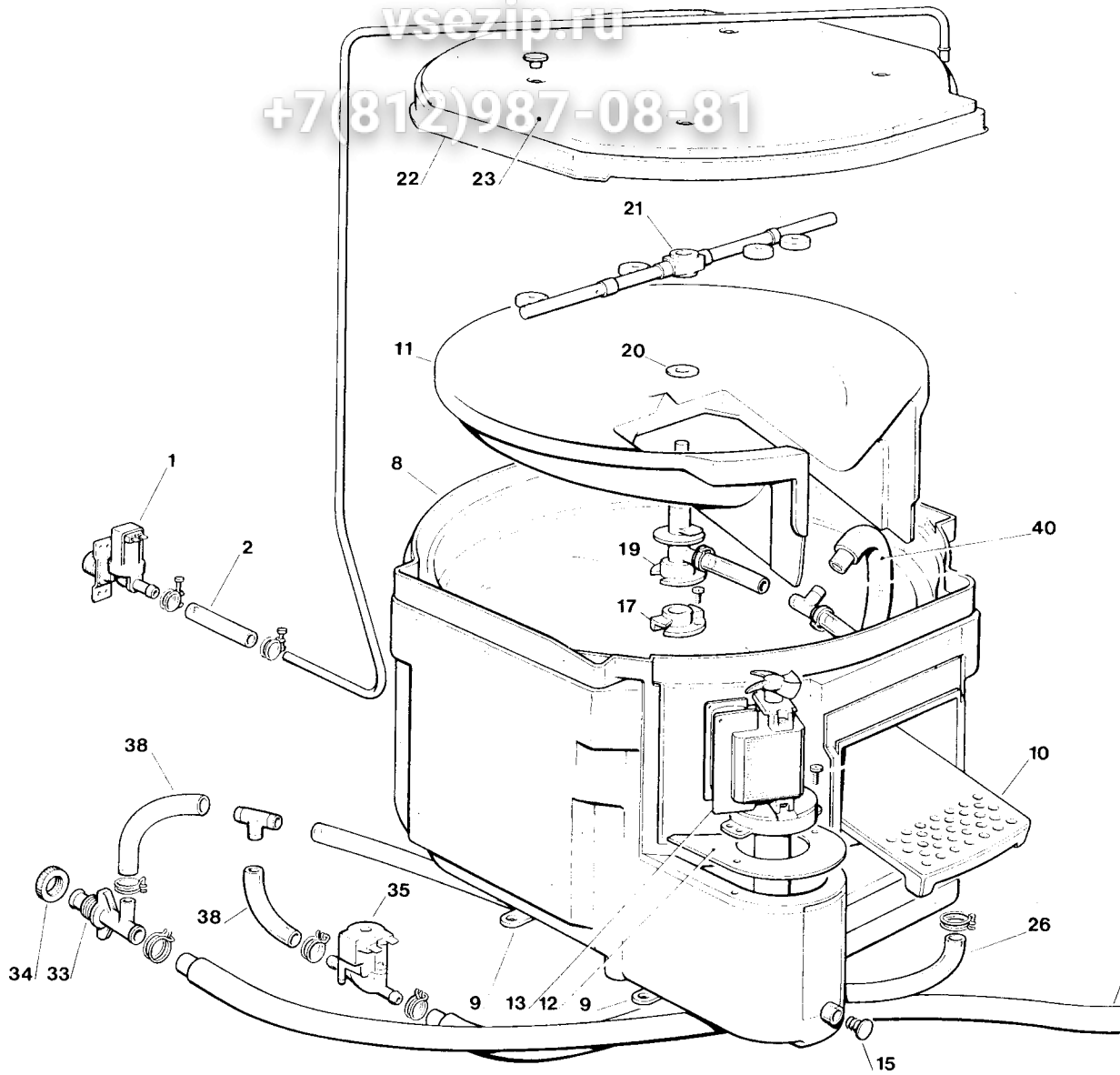
| ITEM NO<br>POS NO<br>REP. NO<br>REF. NO | PART NO<br>CODICE<br>REFERENCE<br>STUECK NR | DESCRIPTION   | DESCRIZIONE   | DESIGNATION   |
|---|---|---|---|---|
| 1                                       | 670099 04                                   | COMPRESSOR ASSY   | ASSIEME COMPRESSORE   | ENSAMBLE COMPRESSEUR  |
| 5                                       | 620058 78                                   | PROTECTOR   | PROTETTORE  | PROTECTEUR  |
| 8                                       | 620167 21                                   | RUN CAPACITOR   | CONDENSATORE DI MARCIA  | CAPACITÉ PERMANENCE   |
| 9                                       | 620057 46                                   | RELAY   | RELE D'AVVIAMENTO   | RELAIS  |
| 10                                      | 620167 01                                   | START CAPACITOR   | CONDENSATORE D'AVVIAMENTO   | CAPACITÉ DE DEMARRAGE   |
| 12                                      | 650109 00                                   | VALVE BODY  | CORPO VALVOLA   | CORPS DE VANNE  |
| 13                                      | 670012 00                                   | VALVE PISTON  | PISTONCINO VALVOLA  | PISTON  |
| 14                                      | 650106 00                                   | VALVE CAP   | CAPPUCCIO VALVOLA   | CAPUCHON DE VANNE   |
| 15                                      | 620331 00                                   | WATER COOLED CONDENSER  | CONDENSATORE AD ACQUA   | CONDENSEUR A EAU  |
| 18                                      | 400053 00                                   | NUT   | DADO  | ECROU   |
| 19                                      | 400031 01                                   | FIBER WASHER  | RONDELLA IN FIBRA   | RONDELLE EN FIBRE   |
| 20                                      | 733204 00                                   | WATER INLET FITTING   | RACCORDO INGRESSO ACQUA   | RACCORD ARRIVÉE EAU   |
| 21                                      | 620111 00                                   | WATER REGULATING VALVE  | VALVOLA PRESSOSTATICA   | VANNE REG. EAU PRESSOS  |
| 22                                      | 733173 00                                   | WATER OUTLET FITTING  | PORTAGOMMA  | RACCORD SORTIE EAU  |
| 23                                      | 281900 03                                   | PLASTIC TUBE-PER METER  | TUBO IN PLASTICA-PER METRO  | TUYAU EN PLASTIQUE-POUR   |
| 25                                      | 281900 03                                   | PLASTIC TUBE-PER METER  | TUBO IN PLASTICA-PER METRO  | TUYAU EN PLASTIQUE-POUR   |
| 27                                      | 660291 00                                   | 3/4 GAS WATER DRAIN FITTING                                       | SCARICO ACQUA DA 3/4 GAS  | RACCORD EVACUATION 3/4  |
| 28                                      | 400030 01                                   | NUT   | DADO  | ECROU   |
| 29                                      | 400031 00                                   | FIBER WASHER  | RONDELLA IN FIBRA   | RONDELLE EN FIBRE   |
| 30                                      | 670006 01                                   | DRIER   | FILTRO DEUMIDIFICATORE  | FILTRE DESHYDRATEUR   |
| 31                                      | 620306 46<br>620306 48                      | HOT GAS VALVE ASSY<br>HOT GAS VALVE COIL                          | ASSIEME VALVOLA GAS CALDO<br>BOBINA VALVOLA GAS CALDO                         | ENSAMBLE VANNE GAZ CHA<br>BOBINE VANNE GAZ CHAUD                        |
| 32                                      | 784434 00<br>784435 00<br>784436 00         | EVAPORATOR ASSY-ACL<br>EVAPORATOR ASSY-ACM<br>EVAPORATOR ASSY-ACS | ASSIEME EVAPORATORE-ACL<br>ASSIEME EVAPORATORE-ACM<br>ASSIEME EVAPORATORE-ACS | ENSAMBLE ÉVAPORATEUR-<br>ENSAMBLE ÉVAPORATEUR-<br>ENSAMBLE ÉVAPORATEUR- |
| 33                                      | 784452 01                                   | SUCTION LINE/ACCUMULATOR  | ACCUMUL. E LINEA ASPIRAZIONE  | ENS. ASPIRATION:ACCUMUL   |
|   |   |   |   |   |



Зип Ощепит

vsezip.ru

+7(812)987-08-81



AC 225 - WATER SYSTEM - CIRCUITO IDRAULICO - CIRCUIT HYDRAULIQUE - WAS

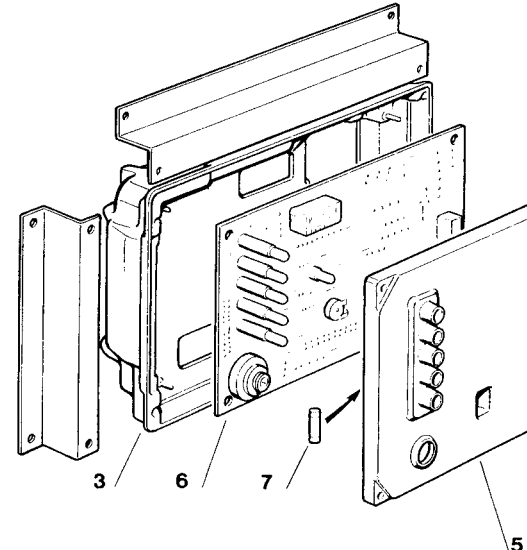
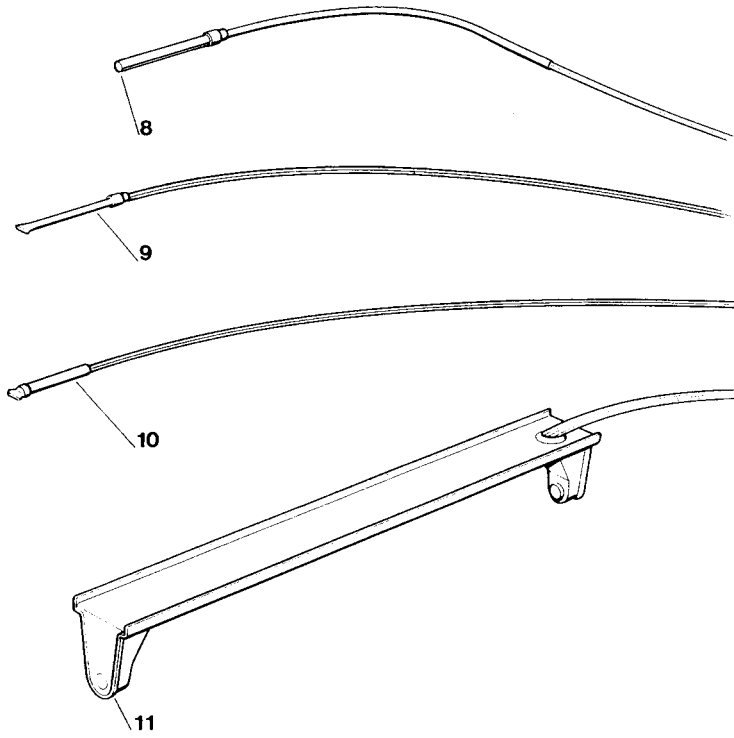
vsezip.ru

| ITEM NO<br>POS NO<br>REP. NO<br>REF. NO | PART NO<br>CODICE<br>REFERENCE<br>STUECK NR | DESCRIPTION             | DESCRIZIONE                | DESIGNATION               |
|---|---|-------------------------|----------------------------|---------------------------|
| 1                                       | 650105 54                                   | WATER INLET VALVE       | VALVOLA INGRESSO ACQUA     | VANNE ARRIVÉE D'EAU       |
| 2                                       | 281900 04                                   | PLASTIC TUBE-PER METER  | TUBO IN PLASTICA-PER METRO | TUYAU EN PLASTIQUE-POUR   |
| 8                                       | 784344 00 R                                 | SUMP & FREEZING CHAMBER | INVOLUCRO EVAPORATORE      | ENCEINTE ÉVAPORATEUR      |
| 9                                       | 660489 00                                   | EVAPORATOR BRACKET      | SUPPORTO EVAPORATORE       | SUPPORT EVAPORATEUR       |
| 10                                      | 660488 00                                   | REMOVABLE INNER BOTTOM  | SCIVOLO INTERNO AMOVIBILE  | PLAQUE CHUTE DEMONTAB     |
| 11                                      | 660487 00                                   | INNER BOTTOM & CHUTE    | FONDO & SCIVOLO MOBILE     | PLAQUE DE FOND ET CHUTE   |
| 12                                      | 723132 03                                   | METAL BRACKET           | SUPPORTO IN METALLO        | PLAQUE SUPPORT POMPE      |
| 13                                      | 62043000                                    | WATER PUMP ASSY         | ASSIEME POMPA              | ENSAMBLE POMPE A EAU      |
| 15                                      | 650550 00                                   | PLASTIC PLUG            | TAPPO IN PLASTICA          | BOUCHON EN PLASTIQUE      |
| 17                                      | 660483 00                                   | JET BEARING FLANGE      | FLANGIA RACCORDO CENTRALE  | BRIDE AXE PALIER DE RAMPE |
| 19                                      | 660475 00                                   | JET BEARING             | RACCORDO CENTRALE          | AXE PALIER DE RAMPE       |
| 20                                      | 440013 06                                   | THRUST WASHER           | RONDELLA DI RASAMENTO      | RONDELLE                  |
| 21                                      | 793127 00                                   | SPRAY BAR               | BARRA SPRUZZANTE           | RAMPE PULVERISATION EAU   |
| 22                                      | 660491 00                                   | EVAPORATOR COVER        | COPERCHIO EVAPORATORE      | COUVERCLE ÉVAPORATEUR     |
| 23                                      | 650538 00                                   | INSULATION              | ISOLAMENTO                 | ISOLATION                 |
| 27                                      | 660211 01                                   | BIN DRAIN STRAINER      | FILTRO SCARICO CONTENITORE | FILTRE RACCORD ECOULEM    |
| 28                                      | 640134 00                                   | O RING                  | GUARNIZIONE O R            | JOINT TORIQUE             |
| 29                                      | 660213 01                                   | ELBOW FITTING           | RACCORDO A GOMITO          | RACCORD D'ÉCOULEMENT      |
| 31                                      | 610159 04                                   | BIN DRAIN TUBE          | TUBO SCARICO CONTENITORE   | TUYAU ÉVACUATION EAU      |
| 33                                      | 660224 00                                   | WATER DRAIN FITTING     | RACCORDO SCARICO ACQUA     | RACCORD ÉVACUATION EAU    |
| 34                                      | 660535 00                                   | PLASTIC RING NUT        | GHIERA IN PLASTICA         | COLLIER DE SERRAGE EN P   |
| 35                                      | 620406 01                                   | WATER DRAIN VALVE       | VALVOLA SCARICO ACQUA      | VANNE VIDANGE EAU         |
| 38                                      | 610182 02                                   | SUMP DRAIN TUBE ASSY    | ASS. TUBI SCARICO          | ENS. TUYAUX EVAC.         |
| 40                                      | 610188 00                                   | PLASTIC HOSE            | TUBO IN PLASTICA           | TUYAU EN PLASTIQUE        |
|   |   |                         |                            |                           |

Зип-Общепит

vsezip.ru

+7(812)987-08-81



AC 225 - P.C. BOARD AND SENSOR ASSY - SCHEDA ELETTRONICA E SENSORI - ENS. CARTE ELE

ELEKTRONISCHE KARTE UND TEMPERATURFUEHLERENHEIT

| ITEM NO<br>POS NO<br>REP. NO<br>REF. NO | PART NO<br>CODICE<br>REFERENCE<br>STUECK NR | DESCRIPTION                             | DESCRIZIONE   | DESIGNATION                                       |
|---|---|---|---|---|
| 3                                       | 660546 00                                   | PLASTIC CONTROL BOX                     | SCATOLA ELETTRICA                                     | BOITE ELECTRIQUE                                  |
| 5                                       | 660547 00                                   | CONTROL BOX COVER                       | COPERCHIO SCATOLA ELETTRICA                           | COUVERCLE BOITE DE COM                            |
| 6                                       | 620403 18<br>620403 19                      | P. C. BOARD ASSY<br>RECYCLED P.C. BOARD | ASSIEME SCHEDA ELETTRONICA<br>SCHEDA ELETTRONICA RIC. | ENSAMBLE CARTE ELECTRO<br>CARTE ELECTRONIQUE RIC. |
| 7                                       | 630015 09<br>630015 10                      | FUSE (100 mA)<br>FUSE (16 A)            | FUSIBILE (100 mA)<br>FUSIBILE (16 A)                  | FUSIBLE (100 mA)<br>FUSIBLE (16 A)                |
| 8                                       | 620404 10                                   | EVAPORATOR TEMP. SENSOR                 | SENSORE TEMP. EVAPORATORE                             | CAPTEUR TEMP. ÉVAPORAT                            |
| 9                                       | 620404 01                                   | CONDENSER TEMP. SENSOR                  | SENSORE TEMP. CONDENSATORE                            | CAPTEUR TEMP. CONDENSE                            |
| 10                                      | 620404 02                                   | AMBIENT TEMP. SENSOR                    | SENSORE TEMP. AMBIENTE                                | CAPTEUR TEMP. AMBIANCE                            |
| 11                                      | 650674 00                                   | ICE LEVEL CONTROL ASSY                  | ASS. CONTR. LIVELLO GHIACCIO                          | ENS. DETECTEUR NIVEAU G                           |
| 12                                      | 630119 00                                   | CONTACTOR                               | TELERUTTORE   | CONTACTEUR  |
|   |   |   |   |   |

## AC 225 - COMPRESSOR CHART - TABELLA COMPRESSORI - TABLEAU COMPRESSEUR - КОМПРЕССОРЫ

| MODEL<br>MODELLO<br>MODELE<br>MODELL | VOLTS<br>TENSIONE<br>TENSION<br>SPANNUNG | COMPRESSOR MODEL<br>MOD. COMPRESSORE<br>TYPE COMPRESSEUR<br>KOMPRESSOR TYP | COMPRESSOR<br>COMPRESSORE<br>COMPRESSEUR<br>KOMPRESSOR | RELAY<br>RELÉ<br>RELAIS<br>RELAIS | PROTECTOR<br>PROTETTORE<br>PROTECTEUR<br>SCHUTZGERAT | STARTER<br>CAPACITANCE<br>STATOR |
|--------------------------------------|--|--|--|-----------------------------------|--|----------------------------------|
| AC 225                               | 115/60/1                                 | U.H. CAJ 9510 Z  | 670099 14  | 620168 20                         | 620058 53  |                                  |
| AC 225                               | 230/60/1                                 | U.H. CAJ 9510 Z  | 670099 09  | 620057 50                         | 620058 81  |                                  |
| AC 225                               | 230/50/1                                 | U.H. CAJ 9510 Z  | 670099 04  | 620057 46                         | 620058 78  |                                  |

## AC 225 - ELECTRIC COMPONENTS CHART - TABELLA COMPONENTI ELETTRICI - TABLEAU COMPOSANTS ELECTRIQUE - ELEKTRISCHEKARTE

| MODEL<br>MODELLO<br>MODELE<br>MODELL | VOLTS<br>TENSIONE<br>TENSION<br>SPANNUNG | CONTACTOR<br>TELERUTTORE<br>CONTACTEUR<br>SCHALTSCHÜTZ | WATER PUMP<br>POMPA<br>POMPE A EAU<br>WASSER PUMPE | FAN MOTOR ONLY<br>MOTORE VENTILATORE<br>MOTEUR VENTILATEUR<br>LUFTER MOTOR | WATER INLET VALVE<br>VALV. INGR. ACQUA<br>V.E.M. ARRIVÉE EAU<br>WASSEREIN.VENTIL | HOT GAS VALVE COIL<br>BOBINA VALVOLA GAS CALDO<br>BOBINE V.E.M. GAZ CHAUDS<br>HEISSGAZ VENTIL SPULE | TEMPERATURE<br>SENSOR |
|--------------------------------------|--|--|--|--|--|---|-----------------------|
| AC 225                               | 115/60/1                                 | 630124 07  | 620430 01  | 620419 05  | 650105 03  | 620306 17   |                       |
| AC 225                               | 230/60/1                                 | 630119 00  | 620430 02  | 620419 04  | 650105 54  | 620306 48   |                       |
| AC 225                               | 230/50/1                                 | 630119 00  | 620430 00  | 620419 04  | 650105 54  | 620306 48   |                       |