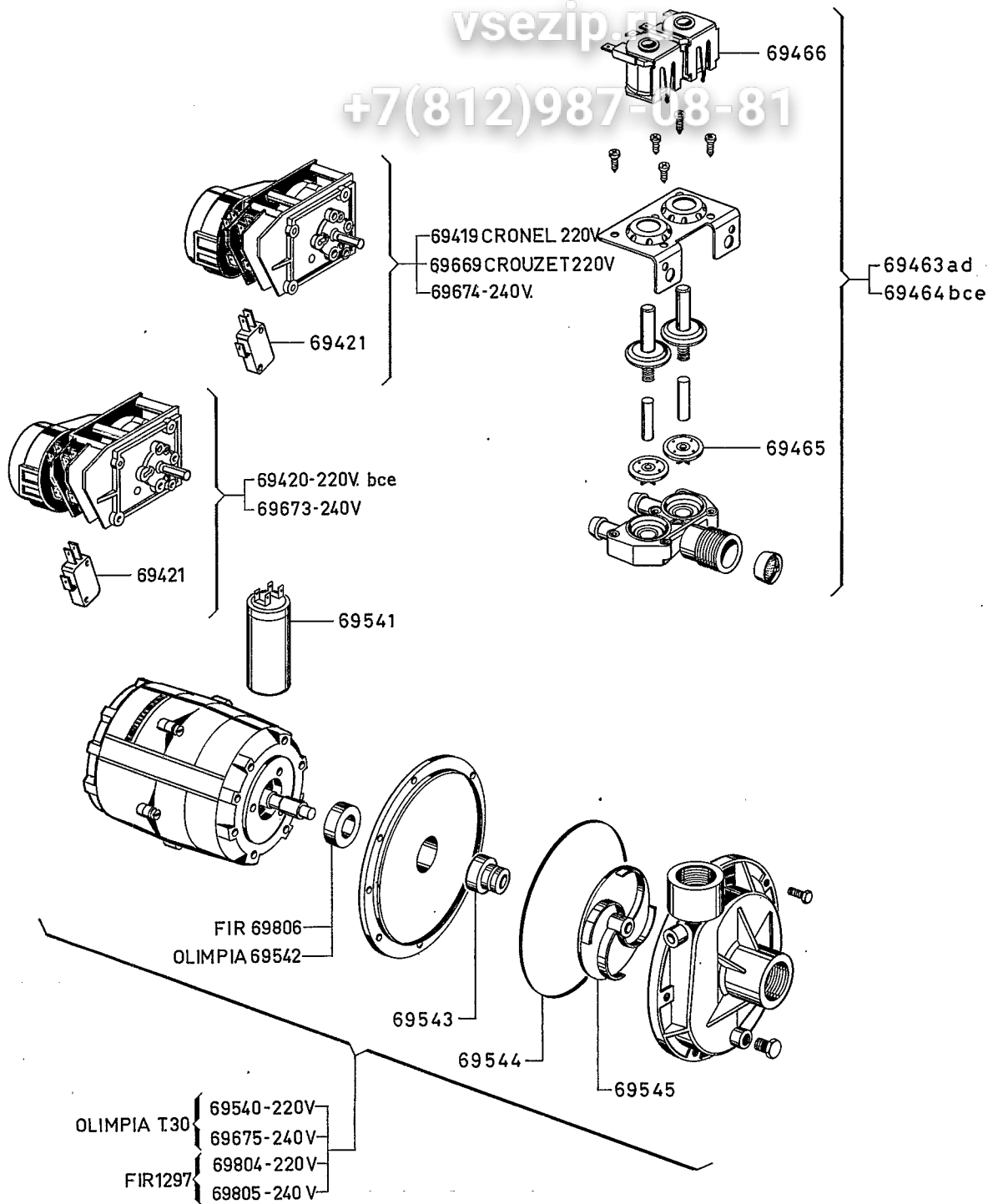


Зип Общепит

vsezip.ru

+7(812)987-08-81



TCR 1461 06 01 53 / 06 01 54

LAVATAZZINE ELETTRICHE GLASS AND CUP WASHER								RIF. REF.	Da matricola from serial N°	
a	b	c	d	e						
530 180 LTB 11	5CF 01B LTB 11	530 181 LTB 12	530 182 LTB 22	5CF 02B LTB 22	72 710 CRYSTAL 11	72 7103 CRYSTAL 22				04 02 85

Zanussi Grandi Impianti S.p.A.
Via Cesare Battisti, 12 - 31015 Conegliano (TV)
Italy

© RIPRODUZIONE, ANCHE PARZIALE, VIETATA

Revised 01 - 91

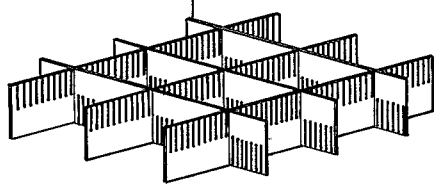
06 01-63

Зип Ощепит

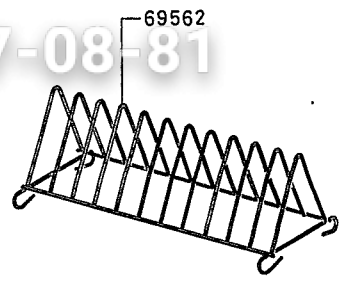
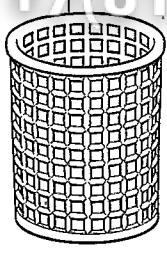
www.zip.ru

+7(812)987-08-81

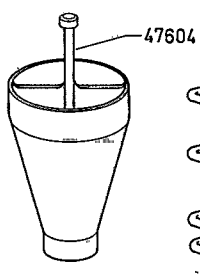
69572 *
960 455 Δ



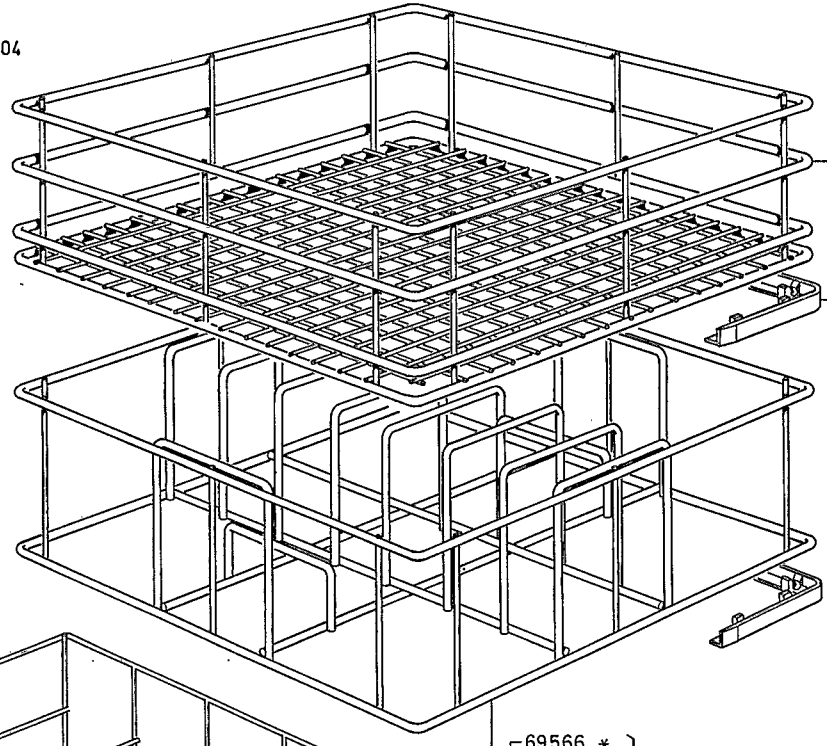
69560 H=100mm
69561 *
960 454 Δ } H=160mm



69562



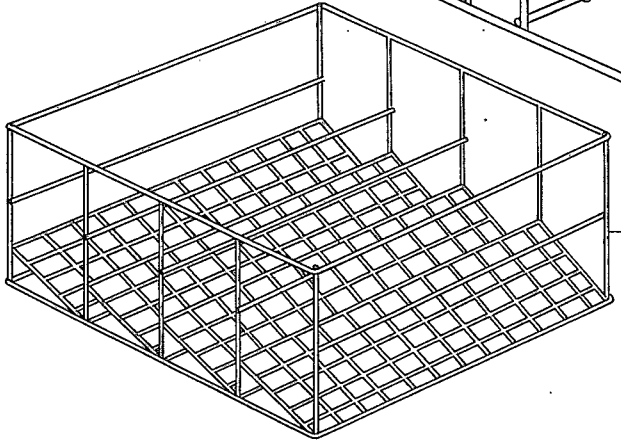
47604



69563 H=110mm
69564 *
960 451 Δ } H=200mm

69565

69566 *
960 452 Δ } ce

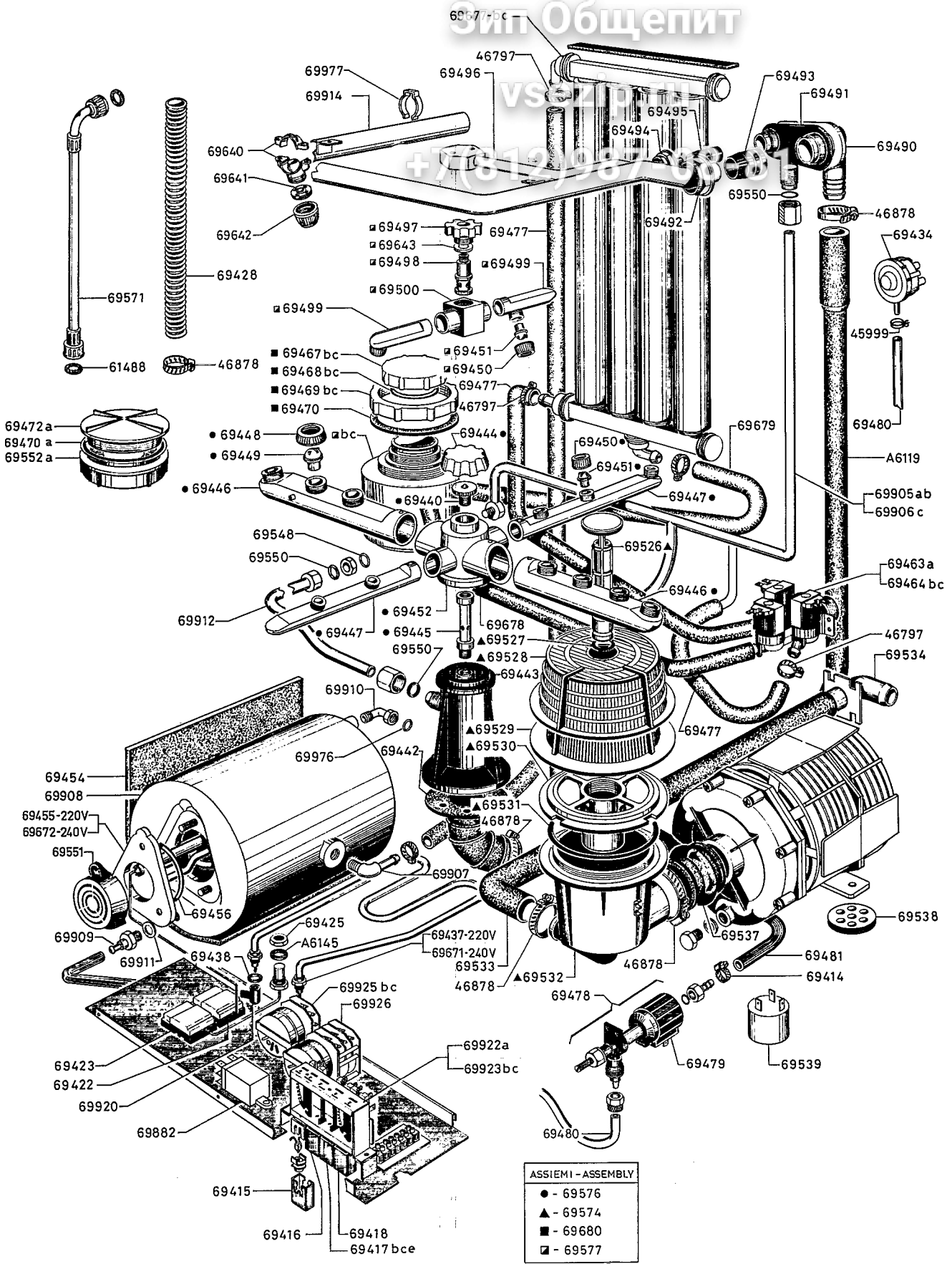


960450 Δ

ACCESSORI PER LAVATAZZINE							RIF. Da matricola	
ACCESSORIES GLASS AND CUP WASHER							REF. from serial N°	
a	b	c	d	e			04 02 85	
530 180	530 181	530 182	5CF 02B	72 7102	72 7103			
LTB 11	LTB 11	LTB 12	LTB 22	CRYSTAL 11	CRYSTAL 22			

06 01-64

Зип Общепит

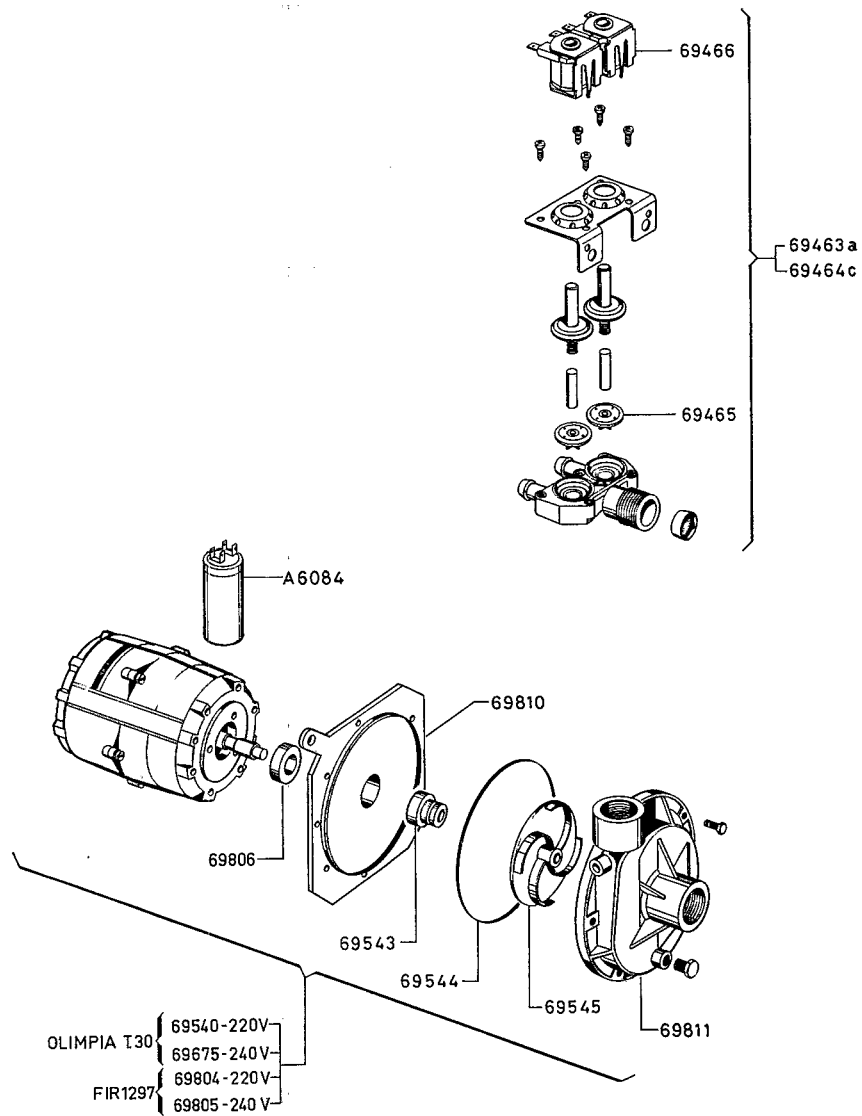


LAVATAZZINE ELETTRICHE GLASS AND CUP WASHER										RIF. Da matricola REF. from serial N°
a				b			c			012402
530 180	530 185	5CF 01B	72 7102	530 181	530 186	530 182	530 187	5CF 02B	72 7103	
LTB 11	LTB 11UK	LTB 11	CRYSTAL11	LTB 12	LTB 12 UK	LTB 22	LTB 22 UK	LTB 22	CRISTAL 22	
										601.06-0

Зип Общепит

vsezip.ru

+7(812)987-08-81

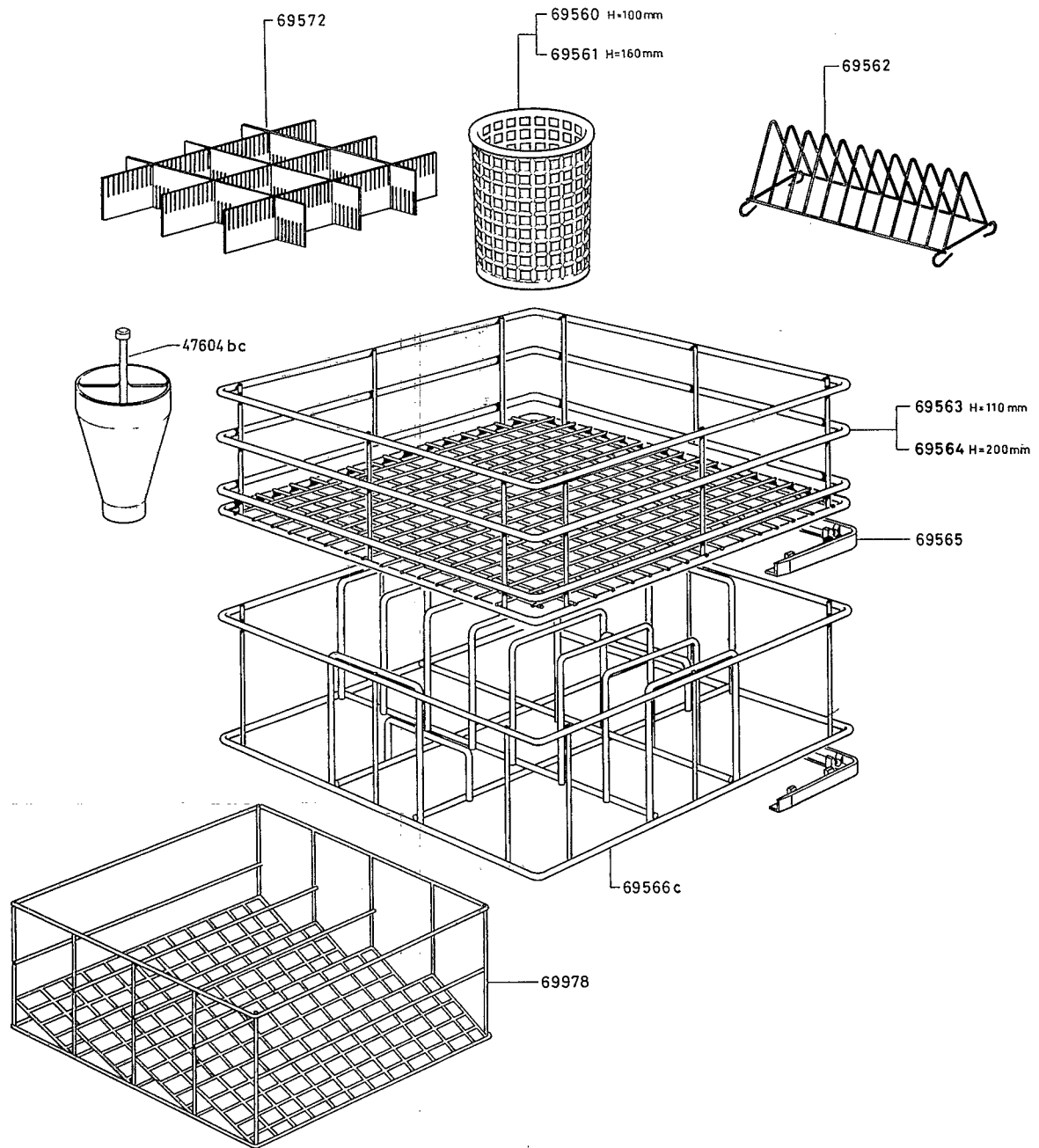


LAVATAZZINE ELETTRICHE GLASS AND CUP WASHER										RIF. REF.	Da matricola from serial N°
a				c							012402
530 180 LTB 11	530 185 LTB 11UK	5CF 01B LTB 11	72 7102 CRYSTAL 11	530 181 LTB 12	530 186 LTB 12 UK	530 182 LTB 22	530 187 LTB 22 UK	5CF 02B LTB 22	72 7103 CRISTAL 22		
											601.07 -0

Зип Ощепит

vsezip.ru

+7(812)987-08-81



LAVATAZZINE ELETTRICHE GLASS AND CUP WASHER									RIF. Da matricola REF. from serial N°
a			b			c			012402
530 180 LTB 11	530 185 LTB11UK	5CF 01B LTB 11	72 7102 CRYSTAL11	530 181 LTB 12	530 186 LTB 12 UK	530 182 LTB 22	530 187 LTB 22UK	5CF 02B LTB 22	72 7103 CRISTAL 22
									601.08-0