

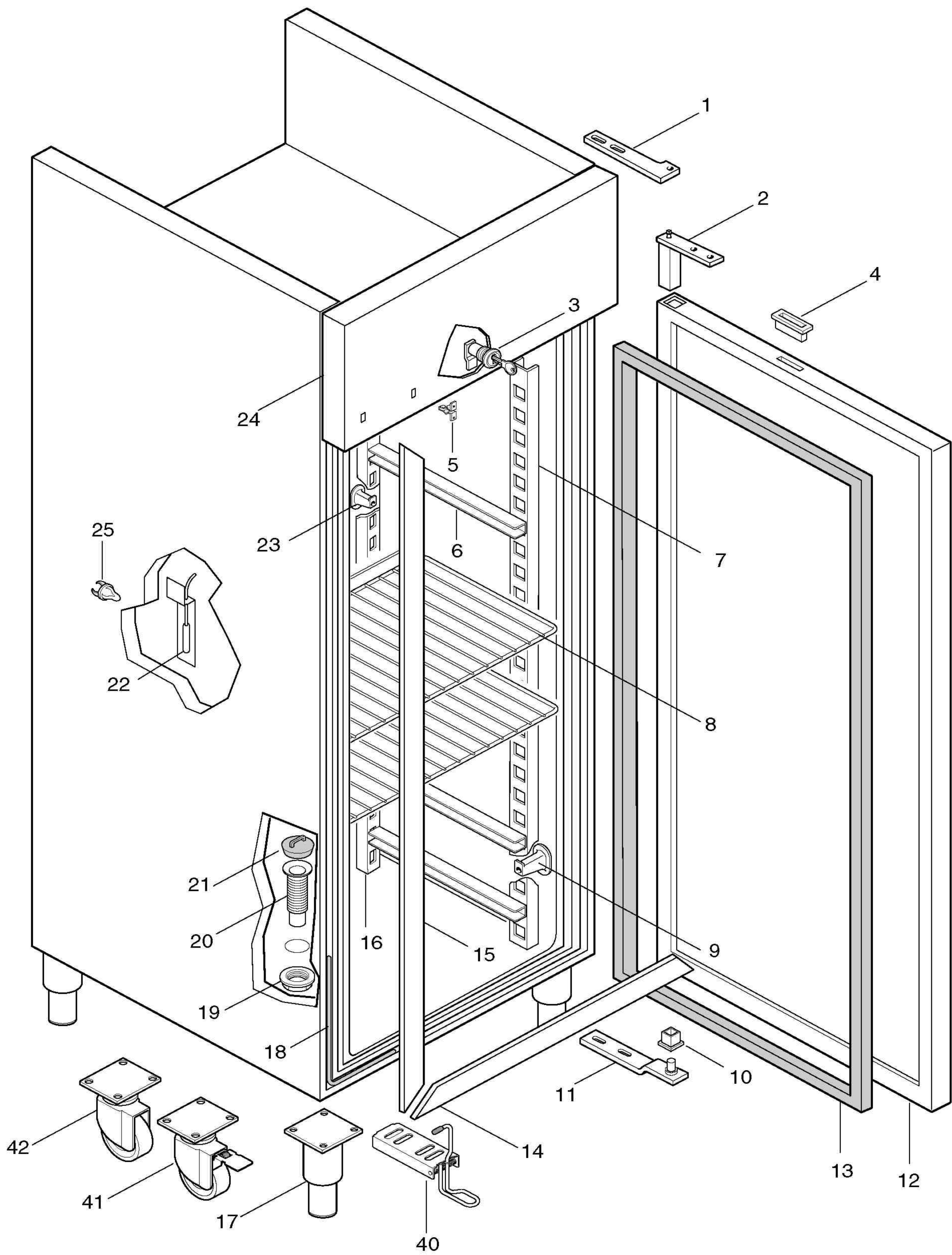
550/650 L - REFRIGERATORS
FRIGORIFERI DA 550/650 LT

 Electronic Heavy Duty Range
 -2° C - 1M - full door

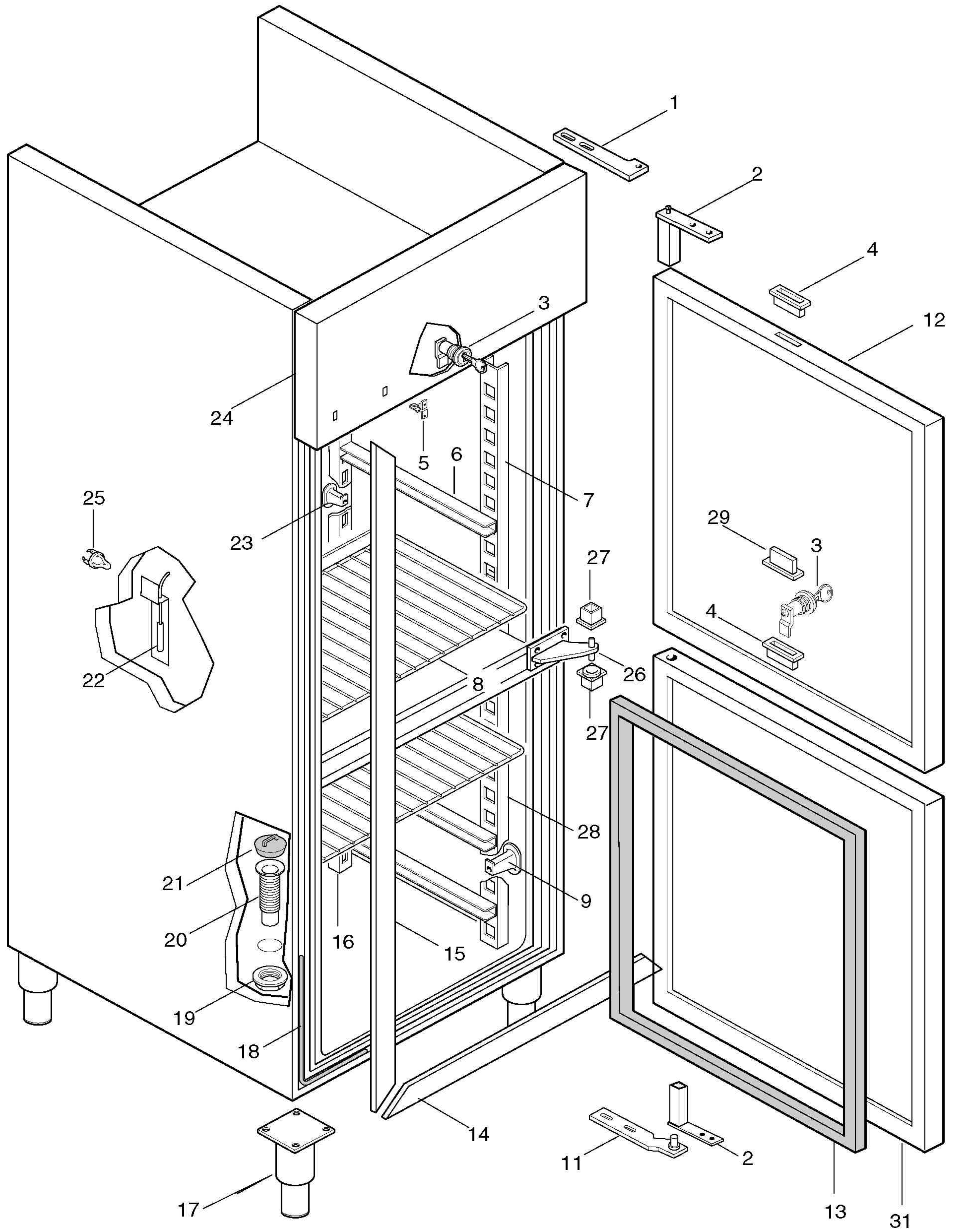
| PNC | Model | Ref. | Page | Brand |
|---------------|-----------------|----------|----------------|-------------------------------------|
| 110608 | ADN110 | a | 1, 3, 4 | Z |
| 110650 | AKN110UK | b | 1, 3, 4 | Z/UK 650 LT, AISI 430, with castors |
| 110660 | ASN110UK | c | 1, 3, 4 | Z/UK 550 LT, AISI 430, with castors |
| 728070 | E06N0D1C | e | 1, 3, 4 | A |
| 728290 | E06N0D1C | e | 1, 3, 4 | McDonald's |
| 771608 | RDNE061 | g | 1, 3, 4 | P |
| 728159 | C06RD1F | h | 1, 3, 4 | E |
| 728160 | C06RD1FL | h | 1, 3, 4 | E |
| 728268 | RSD36 | h | 1, 3, 4 | E/UK 650 LT, AISI 304, with castors |
| 728275 | RS25 | l | 1, 3, 4 | E/UK 550 LT, AISI 430, with castors |
| 110609 | ADN120 | p | 2, 3, 4 | Z |
| 728071 | E06N0D2C | q | 2, 3, 4 | A |
| 771609 | RDNE062 | r | 2, 3, 4 | P |
| 728162 | C06RD2F | s | 2, 3, 4 | E |
| 110691 | ADRN110 | m | 1, 3, 4 | R |
| 728286 | E06N0D1C | t | 1, 3, 4 | F |

| Pag. | Index | Indice |
|------|-----------------------|---------------------|
| 1, 2 | Cabinet and door | Armadio e porta |
| 3 | Cooling unit assembly | Gruppo refrigerante |
| 4 | Control panel | Pannello comandi |
| 5-7 | Spare parts list | Lista ricambi |

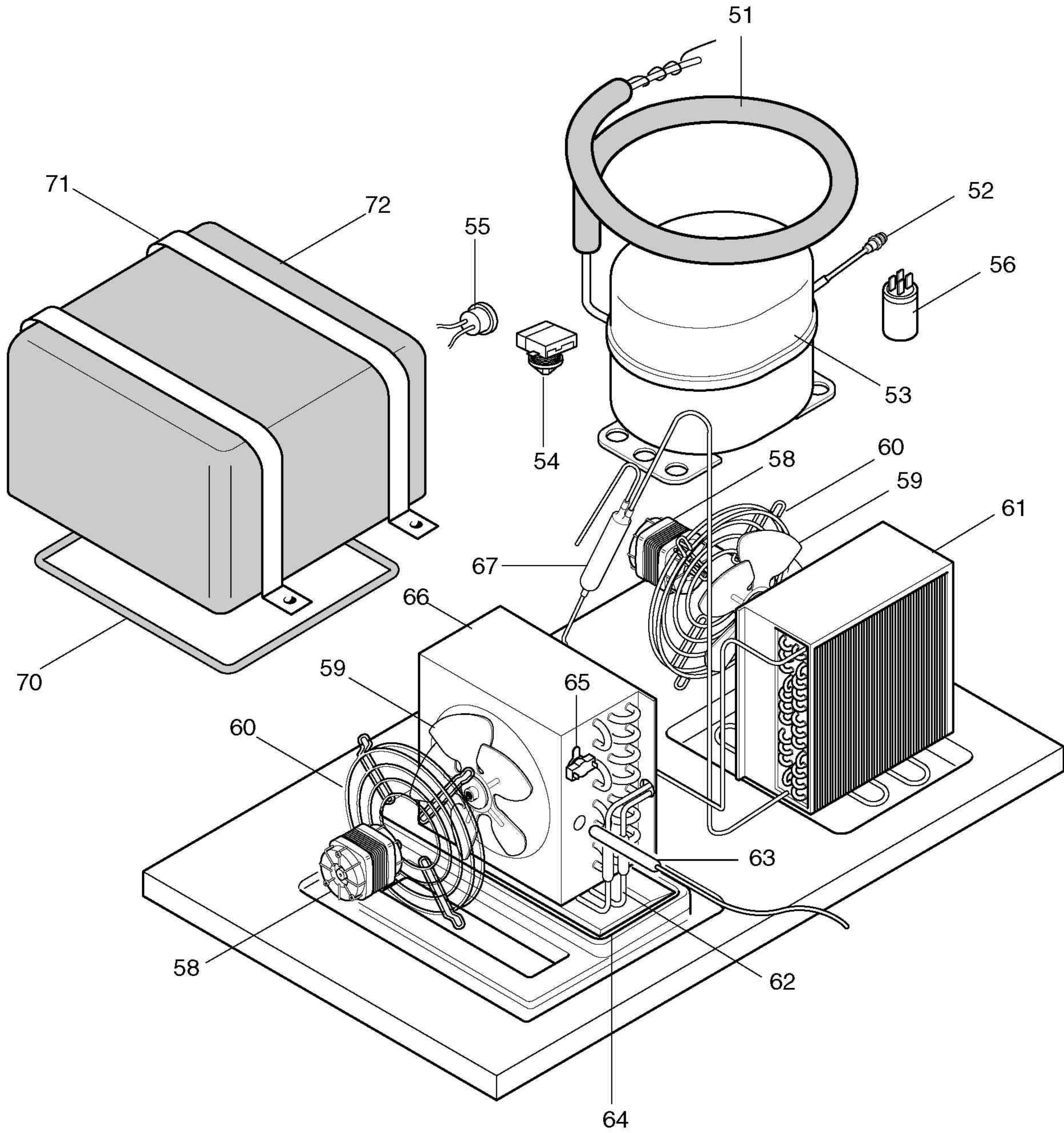
Brand: Z - P - E - A
Factory code: 9733



501001-1

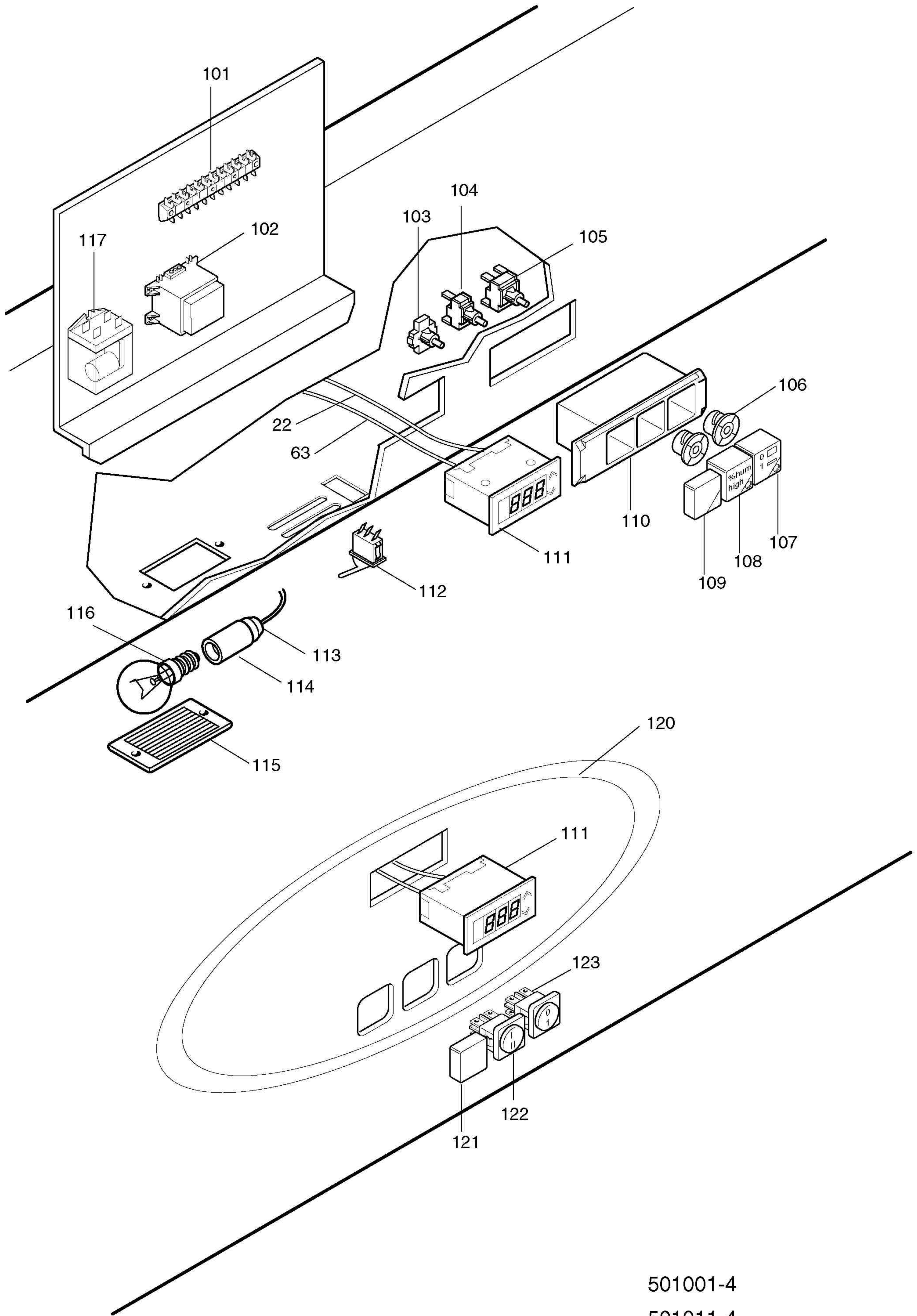


501001-2



* 99 = Cooling unit assembly
Gruppo refrigerante

1M Digitale 501001-3
501003-2



501001-4

501011-4