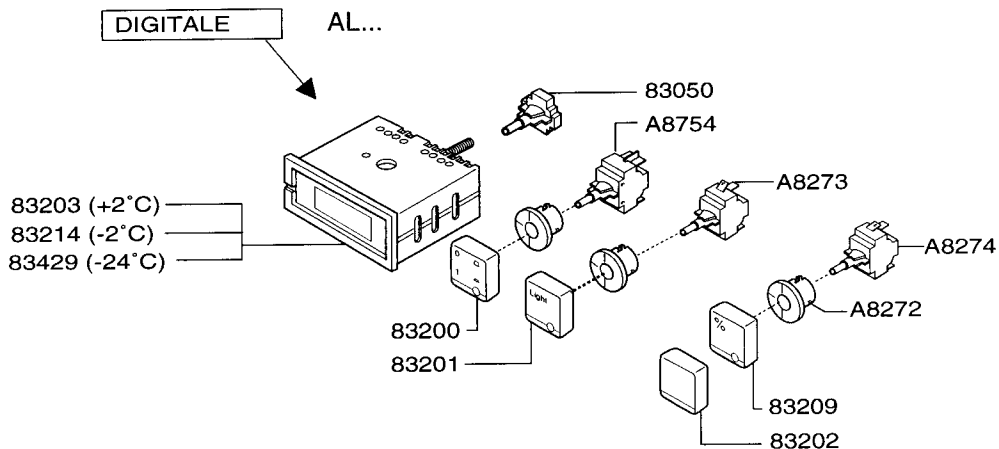
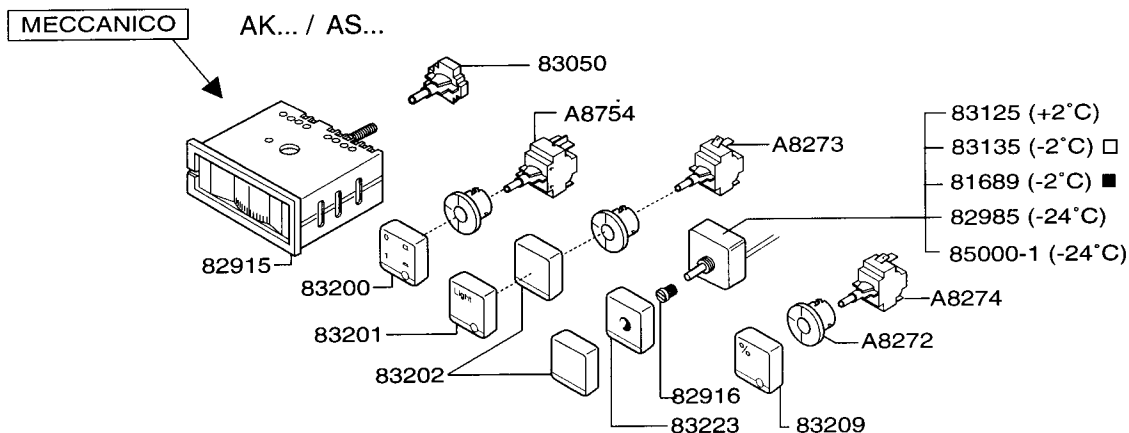


Зип Общепит

vsezip.ru

Modelli con una porta piena (1M)
 One full door models

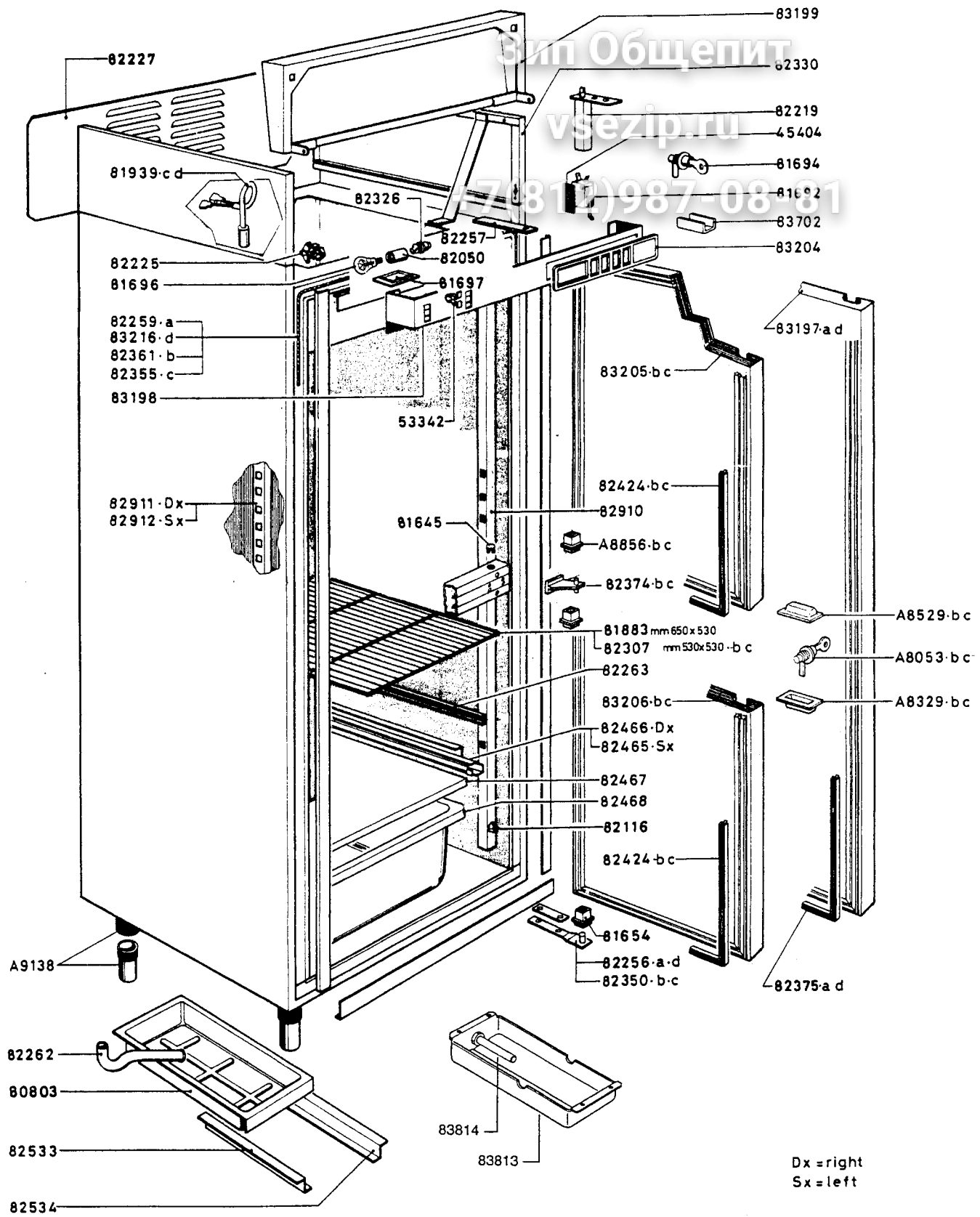
- Modelli con porta vetro e due porte piene (2M)
 Glass door models, and two full doors models



REFRIGERATORS - CONTROL PANEL FRIGORIFERI - PANNELLO COMANDI				REF. RIF.	From serial Nr Da matricola
LUX LINE	AL...			1	446...
KOMPACT LINE	AK...				645...
SLIM LINE	AS...				

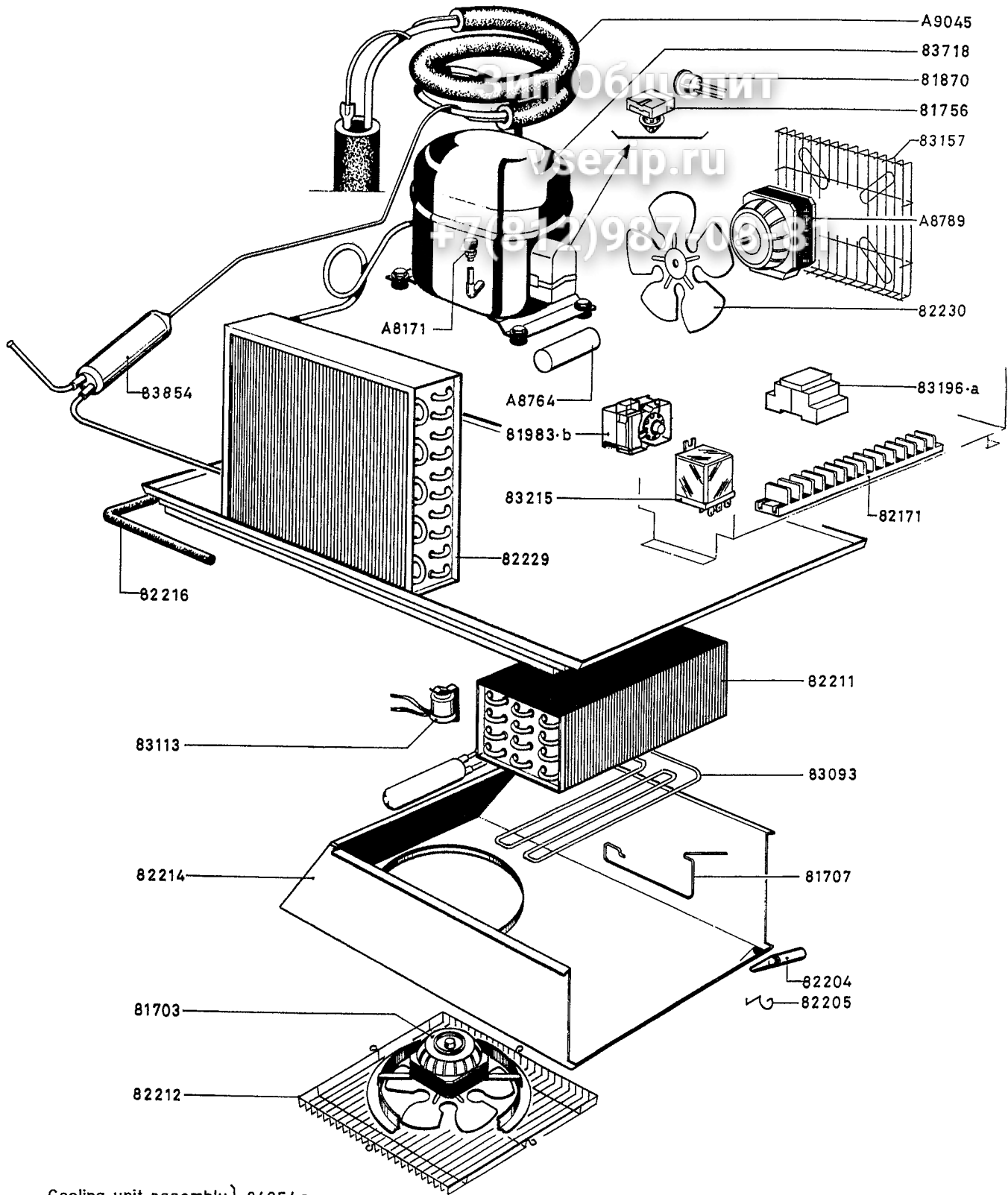
Reviset 97 - 06

502-39-0



LUXE LINE - FRIGORIFERI 600 l. REFIGERATORS						RIF. Da matricola REF. from serial N°
	a	b	c	d		446 ...
	110 050	110 056	110 051	110 057	110 075	110 074
UK	110 066	110 068				110 071
	ALP 110	ALN 110	ALP 120	ALN 120	ALF 120	ALF 110

Z 502.41-0



GRUPPO REFRIGERANTE
COOLING UNIT

-2° C

500/600 l.

RIF. Da matricola
REF. from serial
N°

a		b					446...
110 056	110 057	110 063	111 009	111 010	111 017	112 019	
110 068	110 070	110 079	111 123		111 127	112 028	
	110 073						
ALN.....			AKN 110	AKN 120	AKNN/F 220	ASN 110	

502.47-0